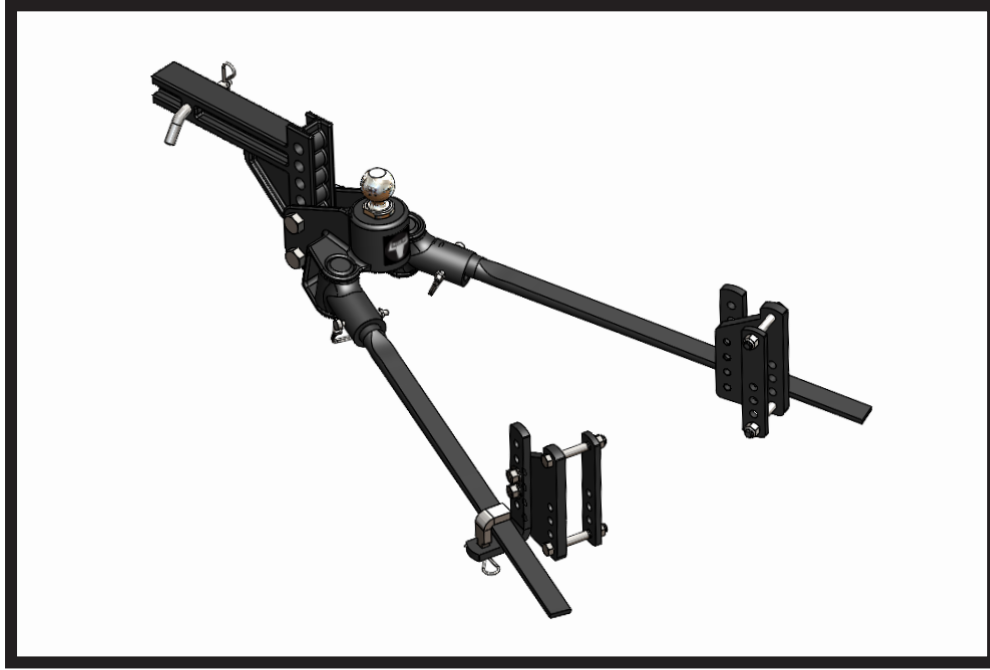




TrackPro™

Owner's Manual & Installation Instructions

Serial Number



Standard Hitch Head w/ L Brackets

BXW0650

600 lbs. maximum tongue weight capacity

BXW0850

800 lbs. maximum tongue weight capacity

BXW1050

1000 lbs. maximum tongue weight capacity

BXW1350

1300 lbs. maximum tongue weight capacity

***2" x 7.5K rated chrome plated hitch ball included with the BXW0650 kit**

***2-5/16" x 13K rated chrome plated hitch ball included with the
BXW0850, BXW1050, and BXW1350 kits**

***Fits on trailer frames that are 3-6" tall**

THANK YOU

*for purchasing a TrackPro™ from Blue Ox®. Please read the manual to insure
your installation is as simple and trouble-free as possible. Keep your sales
receipt and the manual in a safe place for future reference.*

TrackPro™ Owner's Manual & Installation Instructions

Welcome to the Blue Ox® Family

The TrackPro™ is a revolutionary hitch that not only handles weight distribution but sway prevention as well by using the combination of loaded spring bars, friction L brackets and an integrated hitch head. As the trailer tries to sway it puts a heavier load on one side of the bars, as this happens the spring bars will pivot on the hitch head and balance load working with the friction L brackets to prevent and control trailer sway. The TrackPro™ will also conquer weight distribution at the same time, putting more weight on the towing vehicles front tires which increases steering control and braking giving you a safer and easier driving experience. Your TrackPro™ is backed by a limited lifetime limited warranty. **Any unauthorized modifications to your TrackPro™ may void the warranty.**

Please read all of the technical documents, warnings, tips, and notes in this manual before operating your TrackPro™ for the first time. Improper installation, use and/or maintenance may result in malfunction causing personal injury or property damage. Please fill out and return your warranty card. For future reference your serial number is located on the outside of the manual packaging and is also located on the top of the hitch head of your TrackPro™.

Features & Benefits

- **Hitch Ball Included & Installed**
A 2-5/16" x 13K rated chrome plated hitch ball comes included and installed with each kit.
- **Powder Coat Finish**
The powder coat finish provides a professional appearance, aids in rust prevention, and prolongs the life of the product.
- **No Adjustments Needed After Initial Set-up**
Due to the preset pitch of the hitch head there are not additional adjustments needed after initial product set-up.
- **Greaseless Bars**
Grease is captured inside the bar pivots. No messy bars to deal with.

Frequently Asked Questions

What size ball shanks can be used?

Answer: The TrackPro™ accepts any 1-1/4" ball shanks, however the system comes with a pre-installed 2" or 2-5/16" ball.

Does sway prevention require adjustment?

Answer: No, sway prevention is built into the TrackPro™ system and no adjustments are required.

What is gross trailer weight?

Answer: Weight of trailer (dry) + liquids (water, propane, sewage) + cargo. Measure gross trailer weight with a fully loaded trailer on a level surface, preferably on a public truck scale.

What is tongue weight?

Answer: Downward force exerted on the hitch ball by the trailer ball coupler. Measure tongue weight with a fully loaded trailer on a level surface with trailer ball coupler at tow height.

Why do the bars bend? Will they stay bent?

Answer: The spring bars are designed to deflect 2"-3" on a properly set system. This creates the necessary load on the spring bars to achieve an enjoyable ride. No, the spring bars will always return back to straight.

Is it normal for the L bracket to show wear where the spring bar sits during use?

Answer: It is normal to see some wear on the L bracket where the spring bar sits during towing as this is a natural wear point.

What size bars do I have?

Answer: The bars are marked with a line system on the shank end to identify the weight rating.

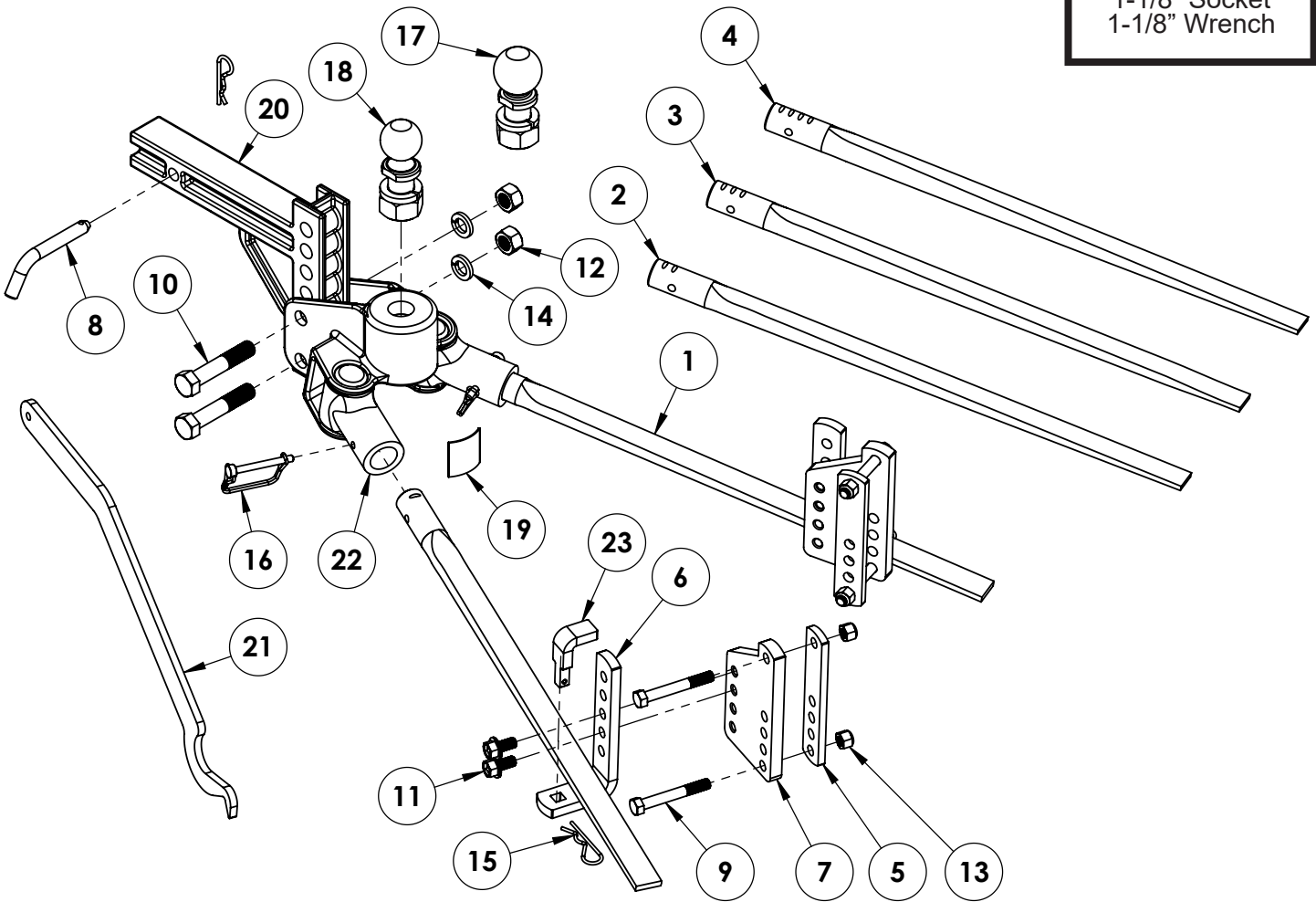
- 600lb Bar = (1) Line
- 800lb Bar = (2) Lines
- 1000lb Bar = (3) Lines
- 1300lb Bar = (4) Lines



TrackPro™ Owner's Manual & Installation Instructions

Tools Required

Torque Wrench
Tape Measure
3/4" Socket
3/4" Wrench
1-1/8" Socket
1-1/8" Wrench



Note: Items #1 thru #4 depend on your TrackPro™ model

TrackPro™ Owner's Manual & Installation Instructions

Item No.	Part No.	Description	Qty.
1.....	63-4838	600 Lb. Spring Bar, Pair.....	1
2.....	63-4839	800 Lb. Spring Bar, Pair.....	1
3.....	63-4840	1,000 Lb. Spring Bar, Pair.....	1
4.....	63-4841	1,300 Lb. Spring Bar, Pair.....	1
5.....	101-10549	Backing Plate.....	2
6.....	101-10680	L Bracket Plate	2
7.....	101-10759	Offset L Bracket Mounting Plate	2
8.....	200-1483	Ø 5/8" x 3" Eff Pin with Clip.....	1
9.....	201-0851	1/2"-13 x 3-3/4" Hex Head Bolt, Grade 5, ZP	4
10.....	201-0914	3/4"-10 x 4" Hex Bolt, Grade 5, ZP	2
11.....	201-1014	1/2"-13 x 1" Whiz Flange Bolt	4
12.....	202-0007	3/4"-10 Hex Nut, ZP.....	2
13.....	202-0094	1/2"-13 Hex Nylon Insert Lock Nut, ZP	4
14.....	203-0014	3/4" Lock Washer, ZP	2
15.....	220-0069	9/64" x 3-3/8" Reusable Cotter Pin, ZP.....	2
16.....	229-0440	5/16" x 2-1/2" Eff Spring Lock Pin.....	2
17.....	229-1166.....	2-5/16" x 1-1/4" Shank, Chrome Plated Hitch Ball, 13K ..	1
18.....	229-1171(BXW0650)...	2" x 1-1/4" Shank, Chrome Plated Hitch Ball, 7.5K.....	1
19.....	292-7198	2" SQ. Blue Ox Embossed Aluminum Decal.....	1
20.....	299-0821	Receiver Hitch Mount, 7 Hole	1
21.....	299-0837	Spring Bar Lift Tool	1
22.....	299-0845	Hitch Head Assembly.....	1
23.....	299-0860	1/2" Retaining Key w/ Step	2
24.....	229-0512(not shown)...	1/2" Quick Link, ZP	2

Important:

Use only genuine factory replacement parts on your TrackPro™. Do **NOT** substitute homemade or non-typical parts. If a bolt is lost or in need of replacement, for your safety and the preservation of your TrackPro™, be sure to use a replacement bolt of the same grade (In most cases it will be Grade 5, please reference the parts list above). Replacement parts may be ordered through your nearest Blue Ox® Dealer or Distributor. Failing to follow and/or altering these installation instructions in either installation or required equipment will void the manufacturer's warranty.

Installation

1. Park the towing vehicle and trailer in a straight line on firm, level ground. For vehicles with automatic leveling systems or Air-ride suspension, please refer to your vehicle's owners manual for proper towing set-up prior to TrackPro™ installation. Unhook the trailer from the towed vehicle and level. Remove the existing receiver hitch.
2. Insert the hitch mount receiver shank into the towing vehicle receiver and secure with the 5/8" x 3" pin and clip.
3. Level the trailer and then measure the coupler height. Install the hitch head onto the receiver shank, using the 3/4"-10 bolts, 3/4" lock washers and 3/4"-10 hex nuts. Measure the hitch head ball height. The ball height needs to be the same or 1" higher than the trailer coupler height, adjust as necessary. Torque the 3/4"-10 bolts to 250 ft/lbs.

Note: Ram Truck owners please reference the Trailer Towing section of your vehicle owner's manual for proper hitch set-up instructions. Also, it is recommended for optimal towing performance to set the ball height 2" higher than the top the trailer coupler.

Note: For vehicle's manufactured with integrated sway control, please reference the Trailer Towing section of your vehicle owner's manual on how to disable this system.

4. Couple the trailer to the hitch head by placing the trailer coupler onto the hitch ball per the manufacturer's instructions.

5. Measure 20"-25" back from the center of the ball coupler and mark this point on the trailer tongue frame on both sides. Center the L bracket mounting holes on the backing plate over the marked area so that the offset is towards the front of the trailer on each side. Both backing plates should be an equal distance from the ball coupler. Remove or relocate any obstructions on the trailer tongue framework if necessary. Finger tighten the bolts on the backing plates at this time. Bottom bolt should be inserted in hole closest to the bottom of the trailer frame. (Figure 1, PS backing plate is shown)



6. Insert the spring bars into the pivoting trunnion so that the lines indicating the spring bar size are facing upward. Then insert locking pins from the inside of the bar towards outside.

7. The end of the spring bar should be a minimum of 4" from the center of the L bracket backing plate to the open end of the bar. After verifying that the L brackets are 20"-25" from the center of the coupler, fully tighten the 1/2" hex head bolts against the trailer tongue framework. (Figure 2)



8. Install L brackets onto backing plate by inserting the two (2) 1/2" whiz flange bolts leaving the top hole open on the L bracket. Apply Blue Loctite to the threads and torque bolts 78 ft/lbs. (Figure 2)

WARNING

We recommend that this product be installed by an authorized Blue Ox® Professional Installer. Improper installation and/or operation can create a hazard which can cause serious injury, property damage or death. Improper installation and/or operation will void the warranty.

Operation

Hooking Up

1. Park the towing vehicle and trailer in a straight line on firm, level ground.
2. Install the hitch head/receiver mount assembly into the towing vehicle receiver tube and secure with the 5/8" x 3" pin and clip.
3. Couple the trailer to the hitch head.
4. Install both spring bars into the pivot tubes and install locking pins per installation instructions.
5. Confirm that both L brackets are secure against trailer frame.

Note: Before each tow, confirm that all brackets are tightened to specified torque specs.

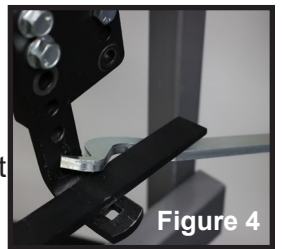
6. Support the trailer tongue weight with the trailer jack to allow for easier hook-up. Place spring bar into dip on lift tool. Then place hook end into the square hole in L bracket. Raise lift tool upward until spring bar securely snaps into place. Place bar locking pin into square hole on L bracket and secure with hair pin. Do this on both sides of the trailer. (Figure 3)




Note: It is normal to see some wear on the L bracket where the spring bar sits during towing as this is a natural wear point.

Unhooking

1. Park the towing vehicle and trailer in a straight line on firm, level ground.
2. Support the trailer tongue weight with the trailer jack to ease the tension on the spring bars and allow for easier unhooking. Remove locking pin from L bracket. Ensure that you are not in the path of the spring bar as it is removed, standing rearward or behind the end of the spring bar. Hold tool horizontal with hook inward and slide under spring bar in a forward motion. The hook of the tool will press against the L bracket. Hold tool firmly and pull outward with the tool. This will remove the spring bar from the L bracket. Do this on both sides of the trailer. Figure 4



 Caution must be used when unhooking due to the potential of injury caused by tension on the spring bars. Hold lift tool firmly as you release the spring bar from the L bracket. Apply outward pressure to the lift tool in a slow and steady manner. Ensure you are not in the path of the spring bar.

3. Disconnect the spring bars from hitch head by removing locking pins from each side. Remove spring bars from pivot tubes.
4. Unhook the trailer coupler from the hitch head.
5. Remove the hitch pin and clip from the hitch receiver.
6. Remove the hitch head/receiver mount assembly from the receiver tube.



Troubleshooting

Issue: After coupling the trailer to the hitch head, the tow vehicle squats and the front of the trailer dips.

Resolution: Verify that the ball height and coupler height are matched.

Issue: After coupling the trailer to the hitch head, the tow vehicle is level but the front of the trailer dips.

Resolution: Adjust the hitch mount receiver higher. Each adjustment up or down equals 1-1/2".

Issue: There is excessive sway.

Resolution: Excessive sway may indicate that the trailer is improperly loaded. As a guideline, the tongue weight should be 10-15 percent of gross trailer weight. If it is not, redistribute the weight accordingly. If you encounter continuous sway or swaying that does not dissipate quickly, adjust the load.

Resolution: For all truck models with factory sway control, it is suggested that the sway control be disabled for the best performance of the Blue Ox® TrackPro™.

Issue: The ride is excessively rough.

Resolution: Verify that the spring bars are properly rated for your tongue weight.

Issue: Experiencing excessive tow vehicle movement.

Resolution: Recommend that the tow vehicle tires are inflated to 90% of max inflation state on tire side wall.

Optional & Replacement Kits

Replacement Kits

BXW4043	Kit, Spring Bar Lift Tool
BXW4072	Kit, L Bracket Plates
BXW4073	Kit, L Bracket w/ Mount, Single
BXW4074	Kit, L Brackets w/ Mounts, Pair
BXW4078	Kit, 1/2" Retaining Key
BXW4047	Kit, Pins
BXW4048	Kit, TrackPro Hitch Head
BXW4051	Kit, 2" x 7.5K Rate Chrome Plated Hitch Ball
BXW4049	Kit, 2-5/16" x 13K Rated Chrome Plated Hitch Ball

Spring Bar Kits

BXW4050	Kit, 600 lb. Spring Bars
BXW4040	Kit, 800 lb. Spring Bars
BXW4041	Kit, 1,000 lb. Spring Bars
BXW4042	Kit, 1,300 lb. Spring Bars

Receivers

BXW4036	7 Hole - 9" Receiver Mount, 2" Shank
BXW4037	9 Hole - 9" Receiver Mount, 2" Shank
BXW4038	11 Hole - 9" Receiver Mount, 2" Shank
BXW4039	9 Hole - 9" Receiver Mount, 2-1/2" Shank

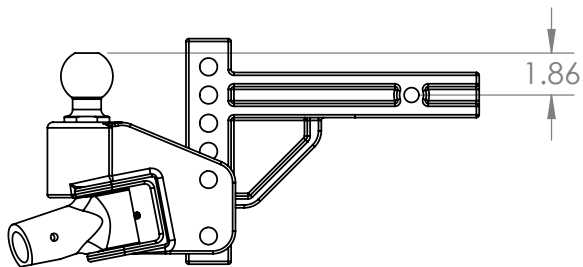
RECEIVER HEIGHTS

** Heights may vary slightly from what is shown depending on brand of hitch ball used. **

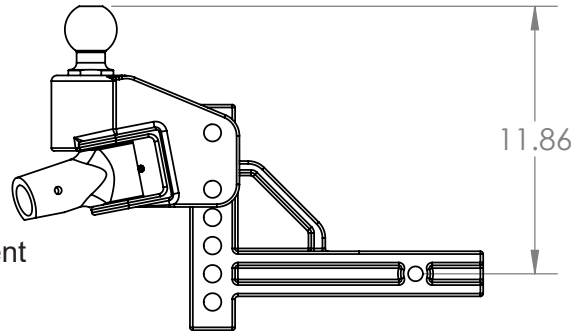
Drop Position

Rise Position

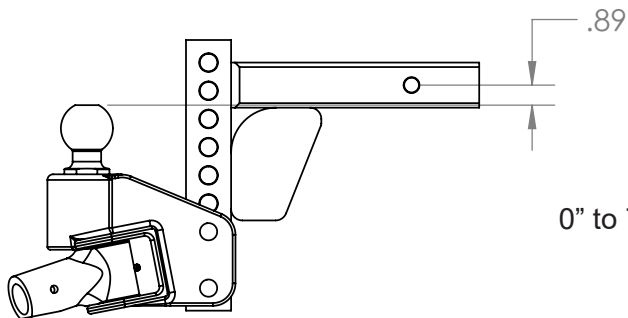
7 Hole Receiver



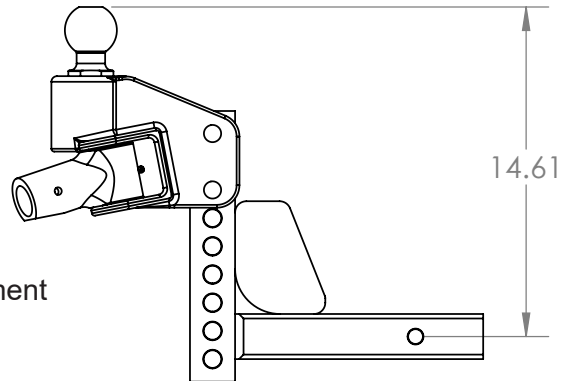
0" to 5" Adjustment



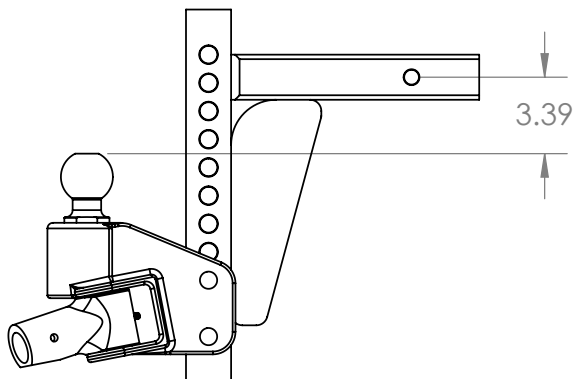
9 Hole Receiver



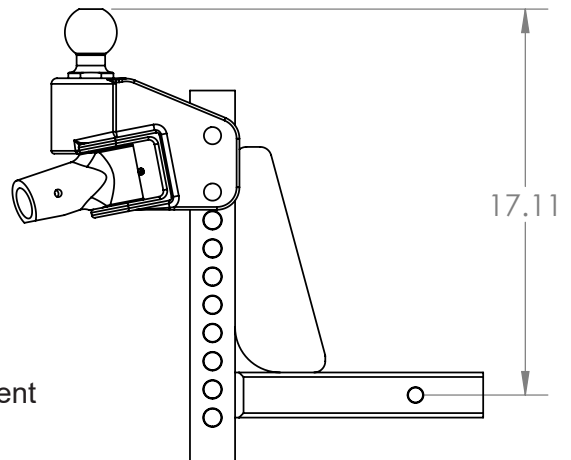
0" to 7-1/2" Adjustment



11 Hole Receiver



0" to 10" Adjustment



Maintenance of your SwayPro™

Maintenance

Check grease zerk on the front of **both** bar pivots before each use to ensure they are not dry. We recommend using a couple pumps of molybdenum grease on each bar pivot, at least twice a year. Wipe away excess grease after application.

Periodically grease the hitch ball with molybdenum grease.

Things To Know

The towing vehicle's loaded ball height should never be greater than it's uncoupled height. Front wheel overload and loss of rear wheel traction can occur and can lead to unstable handling, reduced braking ability, and a tendency to jackknife when turning and braking at the same time.

DO NOT attempt to tow any type of trailer behind another trailer. Towing multiple trailers may cause severe instability, loss of control and/or structural failures.

If the TrackPro hitch is in an accident, it must be replaced. **DO NOT** use it again! An accident can cause unseen damage and using it again could result in more damage or serious injury. **DO NOT** use the hitch if it is damaged or missing parts.

Handling and control of your towing vehicle and trailer is greatly improved when the cargo is properly loaded and distributed. It is recommended to have a tongue weight of 10-15% of the gross trailer weight.

Always use safety chains while towing. Cross chains under the coupler for proper installation and to prevent tongue from dropping to the ground. Only allow enough slack in chains for tight turns, the chains should not drag on the ground. To alleviate slack, twist chains equally from the hook end. Safety chains should be rated at equal to or greater than twice the maximum gross trailer weigh rating (GTWR).

CUSTOMER SERVICE COMMITMENT

Blue Ox® is committed to providing you with exceptional customer care throughout your lifetime with our products. Our team is here to assist you with any questions you may have regarding the performance of your product. Simply call (402) 385-3051 and you can speak with our technical service team.

Additionally, please visit our website to see which rallies our Destination America team will be attending. For a nominal fee, our service technician will service your towing system to ensure it's in proper working condition. Also, as a commitment to our customers, should you visit our factory, you can stay at our full service Blue Ox® campground at no charge along with enjoying a factory tour.

Again, thank you for being our customer and for the confidence you have shown in the performance of our products. It is because of customers like you we enjoy the success we have today.

© 2022 Blue Ox
One Mill Road, Industrial Park
Pender, Nebraska 68047
Phone: (402) 385-3051
Fax: (402) 385-3360
www.blueox.com

BLUE OX ORIGINAL PURCHASERS LIMITED LIFETIME WARRANTY

Automatic Equipment Manufacturing Company ("Automatic") warrants to the original (first) retail purchaser that this product, manufactured by Automatic, shall be free from defect in material and workmanship under normal use and service for as long as the original retail purchaser owns the product.

During said period, Automatic will repair or replace any parts that have been returned by the original purchaser, to the factory, transportation prepaid, and in Automatic's sole and absolute opinion found to be defective.

Limitations on Warranty Coverage:

Coverage under this warranty will be valid only if the customer warranty card is returned by the original purchaser within 30 days of purchase.

Coverage under this warranty will be effective only when a copy of the original invoice, showing date and place of purchase, accompanies any claim for warranty. This warranty is NON TRANSFERABLE.

This limited warranty will not cover, in any way or form, any alleged damages caused by incorrect or improper installation, improper use, modification or neglect of product, failure to properly service and maintain, misuse, act of God, accident or failure of the user to follow guidelines contained in the instructional material provided by Automatic.

This warranty does not cover normal wear and tear, paint or rust.

Warrantor assumes no responsibility to the owner for loss of use of product, loss of time, inconvenience or any other damage consequential or otherwise. Including, but not limited to mileage, expense of transporting of product, return shipping expense, mechanics travel time, telephone, road service, towing, and rental during repairs, travel, lodging, loss or damage to personal property or loss of earnings.

REPAIR OR REPLACEMENT AS SET FORTH IN THIS LIMITED WARRANTY IS THE SOLE EXCLUSIVE REMEDY OF THE PURCHASER. AUTOMATIC SHALL NOT BE LIABLE FOR ANY INCIDENTAL OR CONSEQUENTIAL DAMAGES FOR BREACH OF ANY EXPRESS OR IMPLIED WARRANTY ON THIS PRODUCT. EXCEPT TO THE EXTENT PROHIBITED BY APPLICABLE LAW, ANY IMPLIED WARRANTY OF MERCHANTABILITY OR FITNESS FOR A PARTICULAR PURPOSE ON THIS PRODUCT IS LIMITED IN LENGTH TO THE DURATION OF THIS WARRANTY.

Please visit <http://blueox.com/warranty/> to register your warranty



BLUE OX