



BXR9003

5th Wheel Hitch Wall Mount Kit Installation Instructions

Serial Number



The Blue Ox 5th Wheel Wall Mount Kit consists of two components: a mounting plate with two hooks for the hitch base and a sleeve for the hitch head. There are two fasteners for each component included in the box.

The 5th Wheel Wall Mount Kit is equipped with pre-drilled holes on each mounting plate/sleeve to accommodate wall framing on 16-inch and 24-inch centers. **The 5th Wheel Wall Mount Kit must be secured into the wood-framed wall studs with the provided fasteners. The use of drywall anchors or other fasteners are not acceptable and could be a potential safety hazard. The 5th Wheel Wall Mount Kit is designed only for wood framed walls and should not be used on metal-framed walls. Please follow instructions carefully to ensure proper installation.**

Mount the 5th Wheel Wall Mount Kit on a minimum area of 4 feet wide by three feet high to accommodate The 5th Wheel Wall Mount Kit when stored. Additionally, prior to beginning the installation process, clear your work area of any objects that could pose a safety hazard, and always ensure that there are no small children present in your work area. Lastly, in an effort to discourage small children from climbing on the 5th Wheel Wall Mount Kit after installation, install the 5th Wheel Wall Mount Kit in a low-traffic area of your garage or shop.

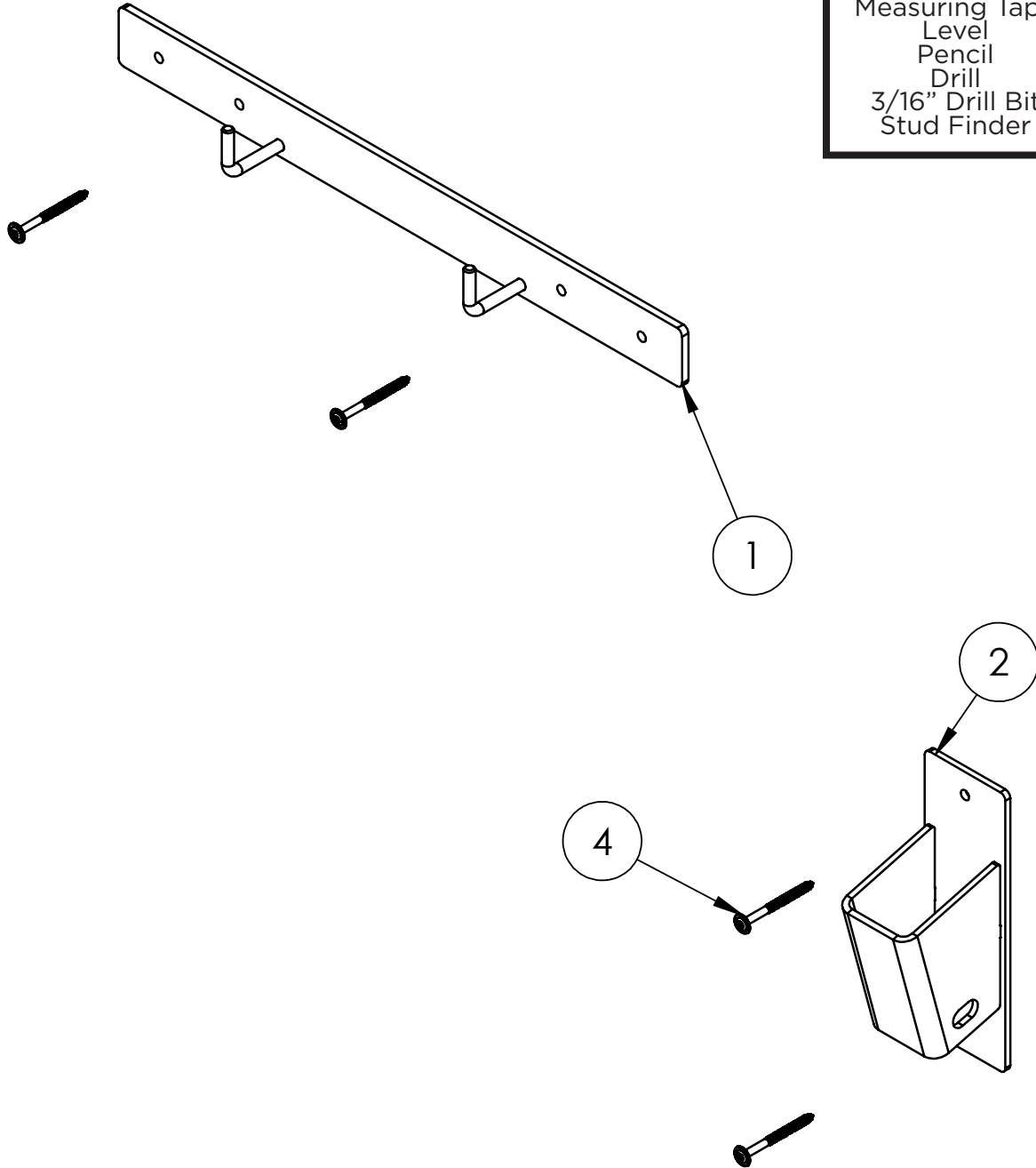
BXR9003

5th Wheel Hitch Wall Mount Kit

Installation Instructions

Tools Required

Measuring Tape
 Level
 Pencil
 Drill
 3/16" Drill Bit
 Stud Finder



Item No.	Part No.	Description	Qty.
1.....	61-8526.....	5th Wheel Base Wall Mount Plate.....	1
2.....	61-8527.....	5th Wheel Head Wall Mount Sleeve.....	1
3.....	63-4888(Not Shown) ...	Bolt Bag & Manual Package.....	1
4.....	201-1124.....	5/16" x 3-1/2" Spax Power Lag Screw, ZP.....	4
5.....	229-1154(Not Shown) ...	T40 x 2" Torx Power Bit.....	1

BXR9003

5th Wheel Hitch Wall Mount Kit

Installation Instructions

Installing the Hitch Base Mounting Plate

Step 1:

After locating the wall space where you will install the 5th Wheel Wall Mount Kit, measure a minimum of three feet up from the ground and make a mark on the wall. Using a level, draw a straight line across the wall (approximately 36 inches); this line will be used as a reference point for installing the Hitch Base Mounting Plate with hooks.

Once the reference line has been drawn, locate the studs in the wall and mark each stud that intersects the reference line drawn. These marks must line up with the pre-drilled holes in the Hitch Base Mounting Plate.

NOTE: Walls framed 16 inches on center will use the outer pre-drilled holes and will span three studs (32 inches). Walls framed 24 inches on center will use the inner pre-drilled holes and will span across two studs (24 inches).

Step 2:

Align the bottom edge of the Hitch Base Mounting Plate on the horizontal reference line drawn in step 1. Verify that the pre-drilled holes in the plate line up with the wall studs; then pre-drill holes in the wall studs using the 3/16" drill bit. Next, use two of the provided fasteners to secure the Hitch Base Mounting Plate to the wall studs with the aid of the provided T40 Torx Bit. Check again to ensure that both fasteners are completely tightened into the wall studs.

Installing the Hitch Head Sleeve

Step 3:

To right of the mounting plate use the stud finder to locate the next closest stud and make a mark slightly below the Hitch Base Mounting Plate. Using a level, draw a straight line down the wall (approximately 16 inches); this line will be used as a reference point for installing the Hitch Head Sleeve.

Once the reference line has been drawn, verify the stud placement in the wall at both ends of the reference line drawn.

Step 4:

Align the screw holes of the Hitch Head Sleeve over the vertical reference line drawn in step 3. Using a level on top of the Hitch Head Sleeve ensure the sleeve is straight up and down, then mark the top and bottom hole of the Hitch Head Sleeve. Verify that the pre-drilled holes in the plate line up with the wall stud; then pre-drill holes in the wall stud using the 3/16" drill bit. Next, use two of the provided fasteners to secure the Hitch Head Sleeve to the wall stud with the aid of the provided T40 Torx Bit. Check again to ensure that both fasteners are completely tightened into the wall studs.

Figure 1 shows how the 5th Wheel Wall Mount Kit should look when properly installed. The 5th Wheel Wall Mount Kit is now properly installed and ready to store the Blue Ox 5th Wheel Hitch.

BXR9003

5th Wheel Hitch Wall Mount Kit

Installation Instructions



BXR9003

5th Wheel Hitch Wall Mount Kit

Installation Instructions

Storing the 5th Wheel Hitch Wall Mount Kit

STEP 1:

Remove the 5th Wheel Hitch from the truck bed.

STEP 2:

Place the hitch base on to the hooks of the Hitch Base Mounting Plate.

STEP 3:

Place the hitch head into the Hitch Head Sleeve. Insert the 3/4" x 4-1/4" clevis pin into the hole on the side of the Hitch Head Sleeve. Insert cotter pin on the lanyard into the end of the clevis pin to secure Hitch Head into Sleeve.

Figure 2 shows how the 5th Wheel Hitch Wall Mount Kit should look when properly stored.



BXR9003

5th Wheel Hitch Wall Mount Kit

Installation Instructions

CUSTOMER SERVICE COMMITMENT

Blue Ox® is committed to providing you with exceptional customer care throughout your lifetime with our products. Our team is here to assist you with any questions you may have regarding the performance of your product. Simply call (402) 385-3051 and you can speak with our technical service team.

Additionally, please visit our website to see which rallies our Destination America team will be attending. For a nominal fee, our service technician will service your towing system to ensure it's in proper working condition. Also, as a commitment to our customers, should you visit our factory, you can stay at our full service Blue Ox® campground at no charge along with enjoying a factory tour.

Again, thank you for being our customer and for the confidence you have shown in the performance of our products. It is because of customers like you we enjoy the success we have today.



© 2021 Blue Ox
One Mill Road, Industrial Park
Pender, Nebraska 68047
Phone: (402) 385-3051
Fax: (402) 385-3360
www.blueox.com