



BXH9000

Kit, Pintle Hitch Adjustable Ball Mount Add-On Installation Instructions



Pintle Hitch Adjustable Ball Mount Add-On BXH9000

10,000 lb. Weight Rated when used with BXH10141 and BXH10171, 2" Receivers

12,000 lb. Weight Rated when used with BXH12241 and BXH12271, 2-1/2" Receivers

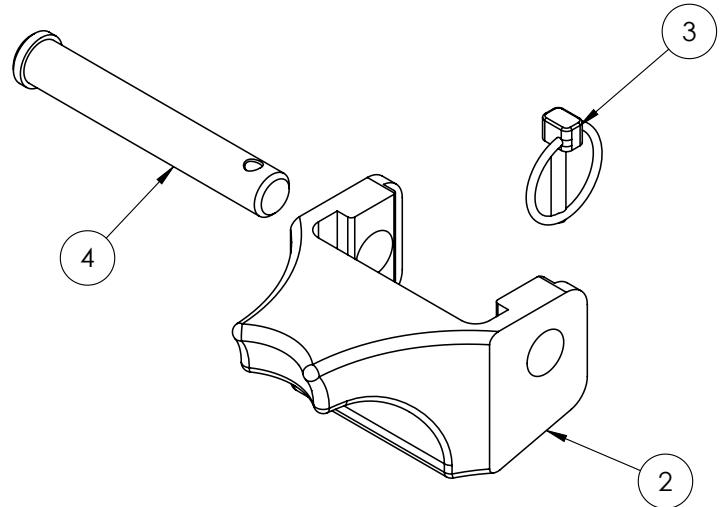
BXH9000

Kit, Pintle Hitch Adjustable Ball Mount Add-On Installation Instructions

Note: For Flat Towing Use Only.

1. Attach Pintle Hitch Ring to Adjustable Ball Mount.
2. Install the Pintle Hitch Stop onto the receiver shank, using the 5/8" x 3-11/16" pin with 3/16" x 1-1/4" lynch pin in hole directly above primary ball mount. Ensure that the Pintle Hitch Stop is positioned to prevent the pintle hitch ring from coming off of the hitch ball.

Note: When properly installed the lynch pin ring will snap back onto itself, and the chamfered side will be facing outwards.



Item No.	Part No.	Description	Qty.
1.....	63-4973.....	Bolt Bag	1
2.....	210-0232.....	Pintle Hitch Stop	1
3.....	229-0829.....	3/16" x 1-1/4" Lynch Pin	1
4.....	299-0800.....	5/8" Dia. x 3-11/16" Eff. Pin, ZP	1

CUSTOMER SERVICE COMMITMENT

Blue Ox® is committed to providing you with exceptional customer care throughout your lifetime with our products. Our team is here to assist you with any questions you may have regarding the performance of your product. Simply call (402) 385-3051 and you can speak with our customer care team.

Additionally, please visit our website to see which rallies our Destination America team will be attending. For a nominal fee, our service technician will service your towing system to ensure it's in proper working condition. Also, as a commitment to our customers, should you visit our factory, you can stay at our full service Blue Ox® campground at no charge along with enjoying a factory tour.

Again, thank you for being our customer and for the confidence you have shown in the performance of our products. It is because of customers like you we enjoy the success we have today.

© 2022 Blue Ox
One Mill Road, Industrial Park
Pender, Nebraska 68047
Phone: (402) 385-3051
Fax: (402) 385-3360
www.blueox.com

BLUE OX ORIGINAL PURCHASERS LIMITED LIFETIME WARRANTY

Automatic Equipment Manufacturing Company (“Automatic”) warrants to the original (first) retail purchaser that this product, manufactured by Automatic, shall be free from defect in material and workmanship under normal use and service for as long as the original retail purchaser owns the product.

During said period, Automatic will repair or replace any parts that have been returned by the original purchaser, to the factory, transportation prepaid, and in Automatic’s sole and absolute opinion found to be defective.

Limitations on Warranty Coverage:

Coverage under this warranty will be valid only if the customer warranty card is returned by the original purchaser within 30 days of purchase.

Coverage under this warranty will be effective only when a copy of the original invoice, showing date and place of purchase, accompanies any claim for warranty. This warranty is NON TRANSFERABLE.

This limited warranty will not cover, in any way or form, any alleged damages caused by incorrect or improper installation, improper use, modification or neglect of product, failure to properly service and maintain, misuse, act of God, accident or failure of the user to follow guidelines contained in the instructional material provided by Automatic.

This warranty does not cover normal wear and tear, paint or rust.

Warrantor assumes no responsibility to the owner for loss of use of product, loss of time, inconvenience or any other damage consequential or otherwise. Including, but not limited to mileage, expense of transporting of product, return shipping expense, mechanics travel time, telephone, road service, towing, and rental during repairs, travel, lodging, loss or damage to personal property or loss of earnings.

REPAIR OR REPLACEMENT AS SET FORTH IN THIS LIMITED WARRANTY IS THE SOLE EXCLUSIVE REMEDY OF THE PURCHASER. AUTOMATIC SHALL NOT BE LIABLE FOR ANY INCIDENTAL OR CONSEQUENTIAL DAMAGES FOR BREACH OF ANY EXPRESS OR IMPLIED WARRANTY ON THIS PRODUCT. EXCEPT TO THE EXTENT PROHIBITED BY APPLICABLE LAW, ANY IMPLIED WARRANTY OF MERCHANTABILITY OR FITNESS FOR A PARTICULAR PURPOSE ON THIS PRODUCT IS LIMITED IN LENGTH TO THE DURATION OF THIS WARRANTY.

Please visit <http://blueox.com/warranty/> to register your warranty



BLUE OX