



## **BXH10141, BXH10171, BXH12241, BXH12271** Adjustable Ball Mount Installation Instructions



### Adjustable Ball Mounts

**BXH10141**

2" Receiver, 4" Drop/Rise, 10K Rated

**BXH10171**

2" Receiver, 7" Drop/Rise, 10K Rated

**BXH12241**

2-1/2" Receiver, 4" Drop/Rise, 12K Rated

**BXH12271**

2-1/2" Receiver, 7" Drop/Rise, 12K Rated

**\* All kits include a 2" ball and clamshell to convert 2" ball to 2-5/16" ball \***

BXH10141, BXH10171, BXH12241, BXH12271  
Adjustable Ball Mount  
Installation Instructions

## Features & Benefits


- **Hitch Ball Included & Installed**  
A 2" chrome plated hitch ball comes included and installed with each kit.
- **Powder Coat Finish**  
The powder coat finish provides a professional appearance, aids in rust prevention, and prolongs the life of the product.
- **Convert Included 2" Ball to a 2-5/16" Ball**  
Included clamshell enables user to quickly convert the pre-install 2" ball to a 2-5/16" ball.
- **Steel Constructions**  
An all steel constructions providing strength and durability.

## Converting Ball from 2" to 2-5/16"



Quickly convert the pre-installed 2" hitch ball to 2-5/16" hitch ball.

1. Remove ball Clam Shell from packaging, place over 2" ball, and close.

 <b>WARNING</b>
DO NOT leave this converter on a 2" tow ball, except when towing. An unweighted converter could detach while driving and cause injury to person or property that may result in death.

## Choosing the Correct Adjustable Ball Mount

1. With any reducer sleeve removed, measure the receiver tube opening. Blue Ox offers adjustable ball mounts that fits either a 2" or 2-1/2" hitch receiver. Select the appropriate adjustable ball mount for your vehicle.
2. When choosing an adjustable ball mount, ensure that enough drop/rise is provided to allow the trailer to be towed as level as possible. Ground clearance should also be factored in when selecting the appropriate ball mount. We recommend that there be at least 11" of between the bottom of the ball mount and the ground to prevent ball hardware from hitting the ground in uneven terrain.  
**Note:** Moving up or down one hole on the receiver allows for 1" of adjustment to the ball height.

## Safety

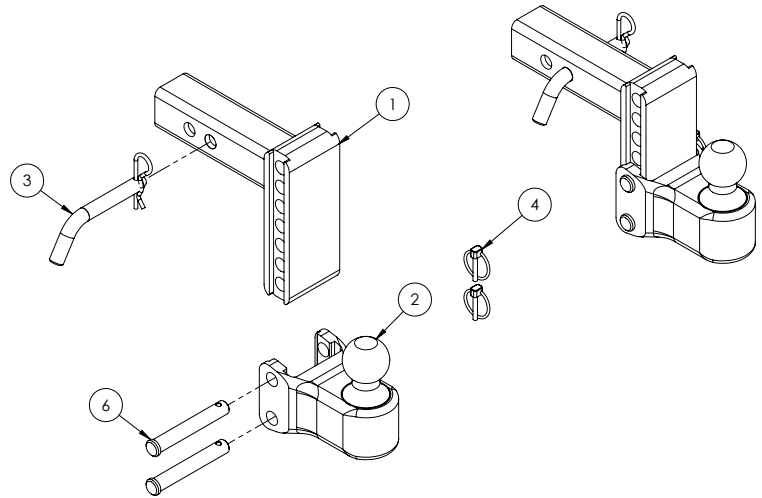
1. Always use safety chains while towing. Cross chains under the coupler for proper installation and to prevent tongue from dropping to the ground. Only allow enough slack in chains for tight turns, the chains should not drag on the ground. To alleviate slack, twist chains equally from the hook end. Safety chains should be rated at equal to or greater than twice the maximum gross trailer weigh rating (GTWR).
2. The Blue Ox Adjustable Ball Mounts are rated for either 10,000 or 12,000 gross trailer weight. DO NOT exceed the vehicle manufacturer's specification for trailer gross vehicle weight or tongue weight as this may cause a serious accident and/or injury while towing.

BXH10141, BXH10171, BXH12241, BXH12271  
Adjustable Ball Mount  
Installation Instructions

**BXH10141 Installation**  
2" Receiver, 4" Drop/Rise, 10K Rated

1. Slide the adjustable ball receiver into the vehicle hitch receiver, insert 5/8" pin through receiver, and insert clip into pin.
2. Level the trailer and then measure the coupler height. Install the adjustable ball onto the receiver shank, using the 5/8" x 3-11/16" pins with 3/16" x 1-1/4" lynch pins. Measure the adjustable ball height. The ball height needs to be the same or 1" higher than the trailer coupler height, adjust as necessary.  
**Note:** Moving up or down one hole on the receiver allows for 1" of adjustment.  
**Note:** When properly installed the lynch pin ring will snap back onto itself, and the chamfered side will be facing outwards.

**BXH10141**



3. Use existing 2" ball or install the provided ball clamshell to convert ball to 2-5/16" to match trailer coupler.
4. Couple the trailer to the hitch head by placing the trailer coupler onto the hitch ball per the manufacturer's instructions.  
**Note:** The gross trailer weight should not exceed the hitch weight rating.

**Tools Required**  
Tape Measure

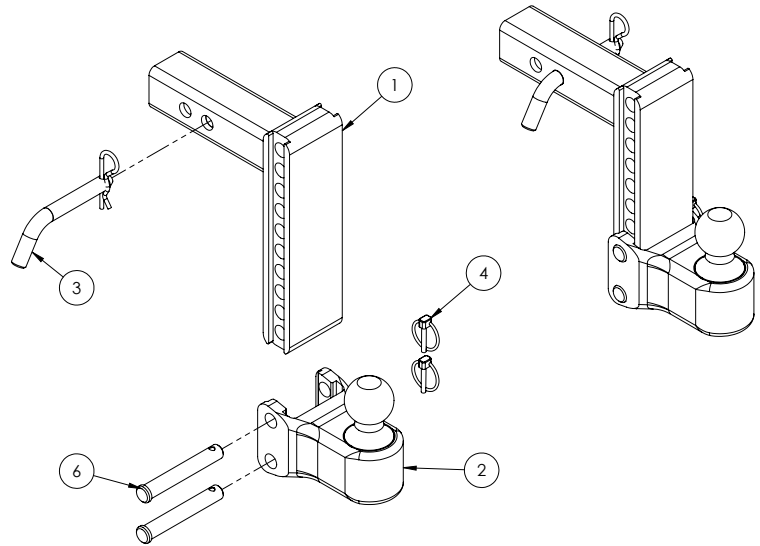
Item No.	Part No.	Description	Qty.
1.....	61-8230 .....	2" Receiver x 4" Drop/Rise .....	1
2.....	62-4284 .....	Adjustable Drop 2" Ball Slide.....	1
3.....	200-1483 .....	5/8" x 3" Eff. Pin with Clip .....	1
4.....	299-0829 .....	3/16" x 1-1/4" Lynch Pin .....	2
5.....	229-1163(Not Shown) .....	2-5/16" Clamshell Hitch Ball Converter .....	1
6.....	299-0800 .....	5/8" Dia. x 3-11/16" Eff. Pin, ZP .....	2

BXH10141, BXH10171, BXH12241, BXH12271  
Adjustable Ball Mount  
Installation Instructions

**BXH10171 Installation**  
2" Receiver, 7" Drop/Rise, 10K Rated

1. Slide the adjustable ball receiver into the vehicle hitch receiver, insert 5/8" pin through receiver, and insert clip into pin.
2. Level the trailer and then measure the coupler height. Install the adjustable ball onto the receiver shank, using the 5/8" x 3-11/16" pins with 3/16" x 1-1/4" lynch pins. Measure the adjustable ball height. The ball height needs to be the same or 1" higher than the trailer coupler height, adjust as necessary.  
**Note:** Moving up or down one hole on the receiver allows for 1" of adjustment.  
**Note:** When properly installed the lynch pin ring will snap back onto itself, and the chamfered side will be facing outwards.
3. Use existing 2" ball or install the provided ball clamshell to convert ball to 2-5/16" to match trailer coupler.
4. Couple the trailer to the hitch head by placing the trailer coupler onto the hitch ball per the manufacturer's instructions.  
**Note:** The gross trailer weight should not exceed the hitch weight rating.

**BXH10171**



**Tools Required**  
Tape Measure

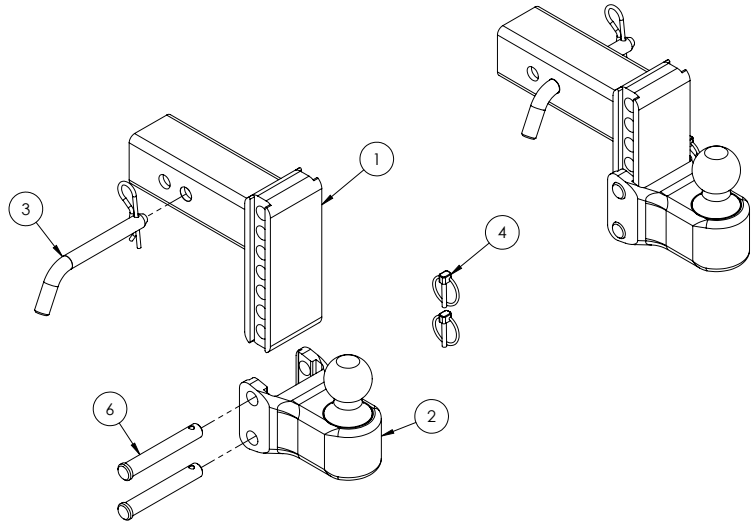
Item No.	Part No.	Description	Qty.
1.....	61-8227 .....	2" Receiver x 7" Drop/Rise .....	1
2.....	62-4284 .....	Adjustable Drop 2" Ball Slide.....	1
3.....	200-1483 .....	5/8" x 3" Eff. Pin with Clip .....	1
4.....	299-0829 .....	3/16" x 1-1/4" Lynch Pin .....	2
5.....	229-1163(Not Shown) .....	2-5/16" Clamshell Hitch Ball Converter .....	1
6.....	299-0800 .....	5/8" Dia. x 3-11/16" Eff. Pin, ZP .....	2

BXH10141, BXH10171, BXH12241, BXH12271  
Adjustable Ball Mount  
Installation Instructions

**BXH12241 Installation**  
2-1/2" Receiver, 4" Drop/Rise, 12K Rated

1. Slide the adjustable ball receiver into the vehicle hitch receiver, insert 5/8" pin through receiver, and insert clip into pin.
2. Level the trailer and then measure the coupler height. Install the adjustable ball onto the receiver shank, using the 5/8" x 3-11/16" pins with 3/16" x 1-1/4" lynch pins. Measure the adjustable ball height. The ball height needs to be the same or 1" higher than the trailer coupler height, adjust as necessary.  
**Note:** Moving up or down one hole on the receiver allows for 1" of adjustment.  
**Note:** When properly installed the lynch pin ring will snap back onto itself, and the chamfered side will be facing outwards.
3. Use existing 2" ball or install the provided ball clamshell to convert ball to 2-5/16" to match trailer coupler.
4. Couple the trailer to the hitch head by placing the trailer coupler onto the hitch ball per the manufacturer's instructions.  
**Note:** The gross trailer weight should not exceed the hitch weight rating.

**BXH12241**



**Tools Required**  
Tape Measure

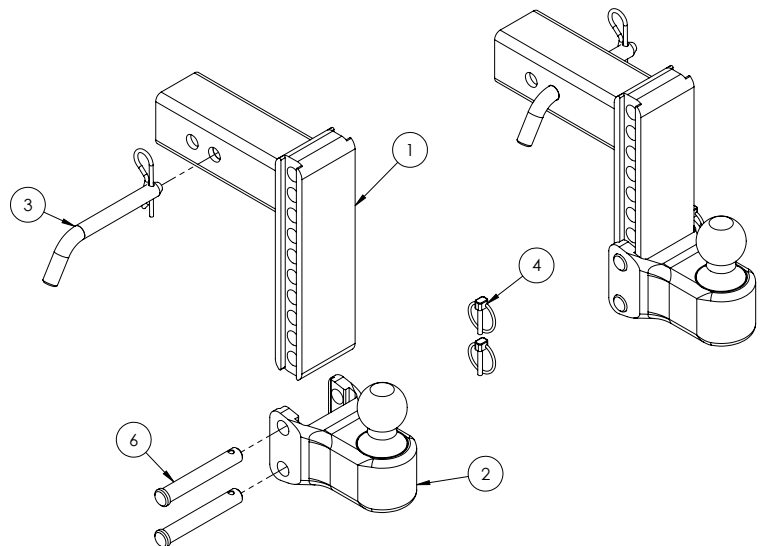
Item No.	Part No.	Description	Qty.
1.....	61-8231 .....	2-1/2" Receiver x 4" Drop/Rise .....	1
2.....	62-4284 .....	Adjustable Drop 2" Ball Slide.....	1
3.....	200-1701 .....	5/8" x 4" Eff. Pin with Clip .....	1
4.....	299-0829.....	3/16" x 1-1/4" Lynch Pin .....	2
5.....	229-1163(Not Shown) .....	2-5/16" Clamshell Hitch Ball Converter .....	1
6.....	299-0800 .....	5/8" Dia. x 3-11/16" Eff. Pin, ZP .....	2

BXH10141, BXH10171, BXH12241, BXH12271  
Adjustable Ball Mount  
Installation Instructions

**BXH12271 Installation**  
2-1/2" Receiver, 7" Drop/Rise, 12K Rated

1. Slide the adjustable ball receiver into the vehicle hitch receiver, insert 5/8" pin through receiver, and insert clip into pin.
2. Level the trailer and then measure the coupler height. Install the adjustable ball onto the receiver shank, using the 5/8" x 3-11/16" pins with 3/16" x 1-1/4" lynch pins. Measure the adjustable ball height. The ball height needs to be the same or 1" higher than the trailer coupler height, adjust as necessary.  
**Note:** Moving up or down one hole on the receiver allows for 1" of adjustment.  
**Note:** When properly installed the lynch pin ring will snap back onto itself, and the chamfered side will be facing outwards.

**BXH12271**



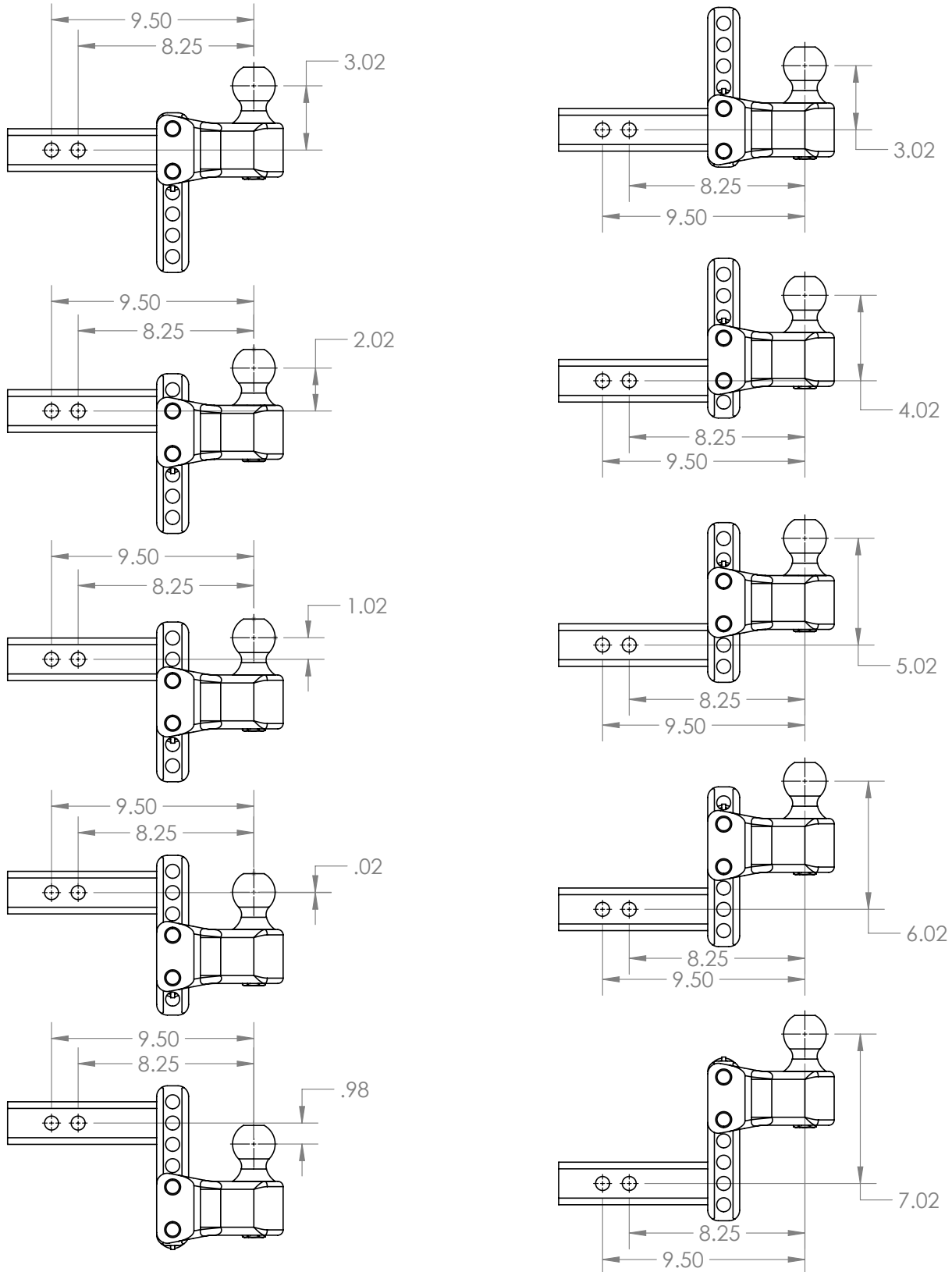
3. Use existing 2" ball or install the provided ball clamshell to convert ball to 2-5/16" to match trailer coupler.
4. Couple the trailer to the hitch head by placing the trailer coupler onto the hitch ball per the manufacturer's instructions.  
**Note:** The gross trailer weight should not exceed the hitch weight rating.

**Tools Required**  
Tape Measure

Item No.	Part No.	Description	Qty.
1.....	61-8229 .....	2-1/2" Receiver x 7" Drop/Rise .....	1
2.....	62-4284 .....	Adjustable Drop 2" Ball Slide.....	1
3.....	200-1701 .....	5/8" x 4" Eff. Pin with Clip .....	1
4.....	299-0829 .....	3/16" x 1-1/4" Lynch Pin .....	2
5.....	229-1163(Not Shown) .....	2-5/16" Clamshell Hitch Ball Converter .....	1
6.....	299-0800 .....	5/8" Dia. x 3-11/16" Eff. Pin, ZP .....	2

BXH10141, BXH10171, BXH12241, BXH12271  
Adjustable Ball Mount  
Installation Instructions

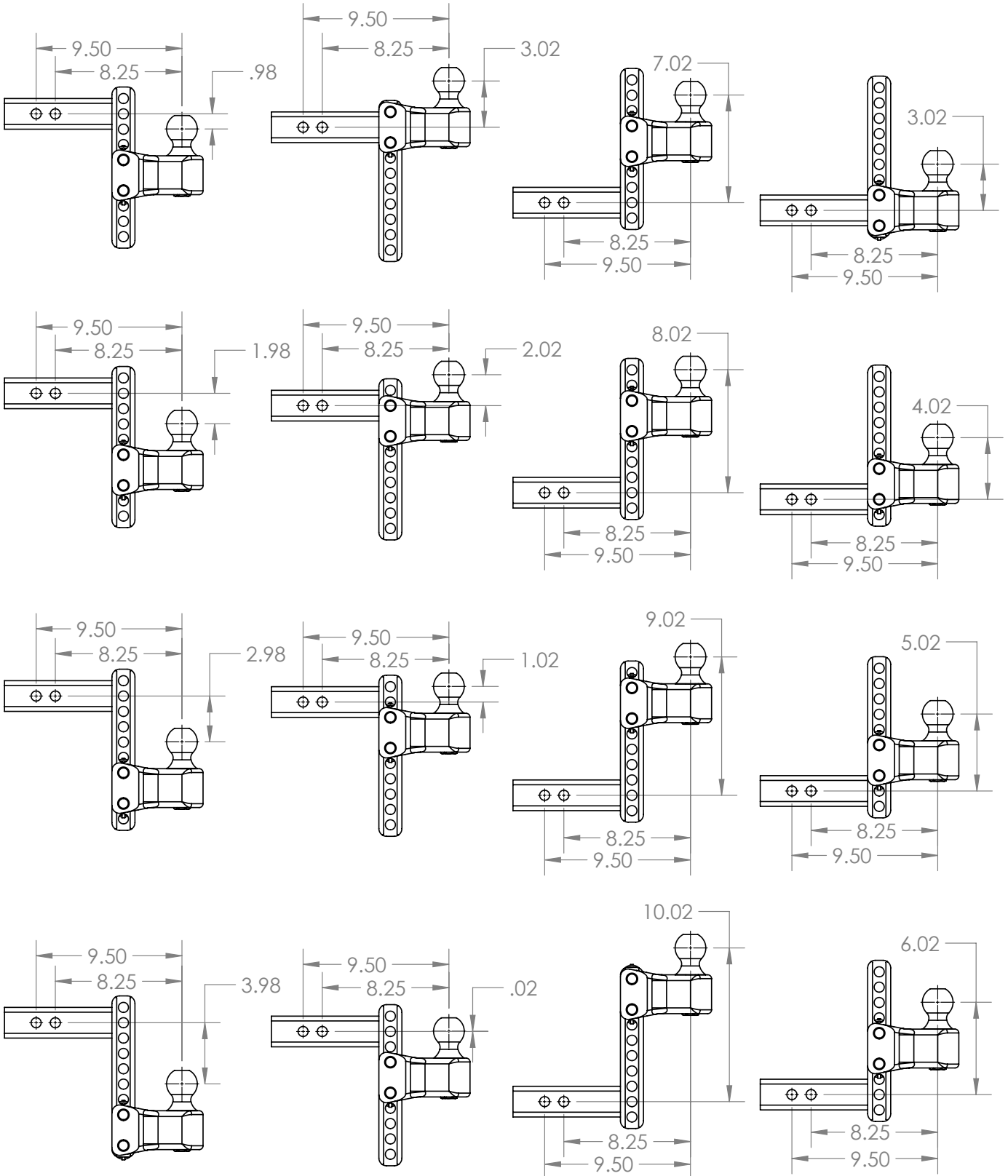
**BXH10141 & BXH12241 Drop/Rise Dimensions**





BXH10141, BXH10171, BXH12241, BXH12271  
Adjustable Ball Mount  
Installation Instructions

**BXH10171 & BXH12271 Drop/Rise Dimensions**





BXH10141, BXH10171, BXH12241, BXH12271  
Adjustable Ball Mount  
Installation Instructions

## **CUSTOMER SERVICE COMMITMENT**

Blue Ox® is committed to providing you with exceptional customer care throughout your lifetime with our products. Our team is here to assist you with any questions you may have regarding the performance of your product. Simply call (402) 385-3051 and you can speak with our customer care team.

Additionally, please visit our website to see which rallies our Destination America team will be attending. For a nominal fee, our service technician will service your towing system to ensure it's in proper working condition. Also, as a commitment to our customers, should you visit our factory, you can stay at our full service Blue Ox® campground at no charge along with enjoying a factory tour.

Again, thank you for being our customer and for the confidence you have shown in the performance of our products. It is because of customers like you we enjoy the success we have today.



© 2022 Blue Ox  
One Mill Road, Industrial Park  
Pender, Nebraska 68047  
Phone: (402) 385-3051  
Fax: (402) 385-3360  
[www.blueox.com](http://www.blueox.com)

# BLUE OX ORIGINAL PURCHASERS LIMITED LIFETIME WARRANTY

Automatic Equipment Manufacturing Company (“Automatic”) warrants to the original (first) retail purchaser that this product, manufactured by Automatic, shall be free from defect in material and workmanship under normal use and service for as long as the original retail purchaser owns the product.

During said period, Automatic will repair or replace any parts that have been returned by the original purchaser, to the factory, transportation prepaid, and in Automatic’s sole and absolute opinion found to be defective.

## Limitations on Warranty Coverage:

Coverage under this warranty will be valid only if the customer warranty card is returned by the original purchaser within 30 days of purchase.

Coverage under this warranty will be effective only when a copy of the original invoice, showing date and place of purchase, accompanies any claim for warranty. This warranty is NON TRANSFERABLE.

This limited warranty will not cover, in any way or form, any alleged damages caused by incorrect or improper installation, improper use, modification or neglect of product, failure to properly service and maintain, misuse, act of God, accident or failure of the user to follow guidelines contained in the instructional material provided by Automatic.

This warranty does not cover normal wear and tear, paint or rust.

Warrantor assumes no responsibility to the owner for loss of use of product, loss of time, inconvenience or any other damage consequential or otherwise. Including, but not limited to mileage, expense of transporting of product, return shipping expense, mechanics travel time, telephone, road service, towing, and rental during repairs, travel, lodging, loss or damage to personal property or loss of earnings.

**REPAIR OR REPLACEMENT AS SET FORTH IN THIS LIMITED WARRANTY IS THE SOLE EXCLUSIVE REMEDY OF THE PURCHASER. AUTOMATIC SHALL NOT BE LIABLE FOR ANY INCIDENTAL OR CONSEQUENTIAL DAMAGES FOR BREACH OF ANY EXPRESS OR IMPLIED WARRANTY ON THIS PRODUCT. EXCEPT TO THE EXTENT PROHIBITED BY APPLICABLE LAW, ANY IMPLIED WARRANTY OF MERCHANTABILITY OR FITNESS FOR A PARTICULAR PURPOSE ON THIS PRODUCT IS LIMITED IN LENGTH TO THE DURATION OF THIS WARRANTY.**

Please visit <http://blueox.com/warranty/> to register your warranty



**BLUE OX**