



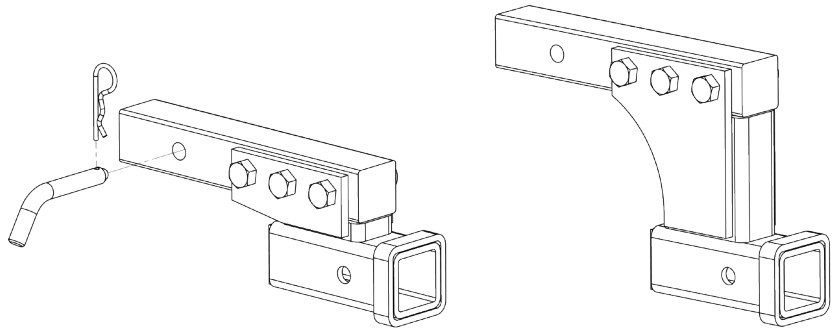
BX88235 / BX88241

10,000 lb Drop Receivers Installation Instructions

Drop Receiver towing capacity is rated for Class IV (10,000 lbs).

Installation:

1. Slide the drop receiver into the receiver hitch, insert 5/8" pin through receiver, and insert clip into pin.



BX88235

BX88241

Item No.	Part No.	Description	Qty.
1.....	200-1483.....	5/8" x 3" Pin w/Clip	1
2.....	62-3701.....	3" Drop Receiver, 10K.....	1
3.....	62-3707.....	7" Drop Receiver, 10K.....	1

CUSTOMER SERVICE COMMITMENT

Blue Ox® is committed to providing you with exceptional customer care throughout your lifetime with our products. Our team is here to assist you with any questions you may have regarding the performance of your product. Simply call (402) 385-3051 and you can speak with our customer care team.

Additionally, please visit our website to see which rallies our Destination America team will be attending. For a nominal fee, our service technician will service your towing system to ensure it's in proper working condition. Also, as a commitment to our customers, should you visit our factory, you can stay at our full service Blue Ox® campground at no charge along with enjoying a factory tour.

Again, thank you for being our customer and for the confidence you have shown in the performance of our products. It is because of customers like you we enjoy the success we have today.

© 2014 Blue Ox
One Mill Road, Industrial Park
Pender, Nebraska 68047
Phone: (402) 385-3051
Fax: (402) 385-3360
www.blueox.com