

# BLUE OX®

## Immobilizer™ II BX88225 for 2 1/2" Receiver Hitches

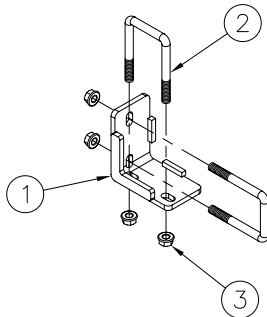
## Installation Instructions

### Installation for Immobilizer™ II BX88225

The BX88225 Immobilizer™ II is designed to be used with 2 1/2" receiver hitches. The Immobilizer II eliminates or greatly reduces rattling and movement in the receiver hitch.

#### Contents:

Ref #	Qty.	Part #	Description
1	1	61-6308	Weldment, Immobilizer II, BX88225
2	2	201-0795	3/8-16 x 3.25 x 2.5 SQ U-Bolt, Grd 5
3	4	202-0071	3/8-16 Hex Flange Whiz Lock Nut



**Tools  
Required**  
9/16" Socket

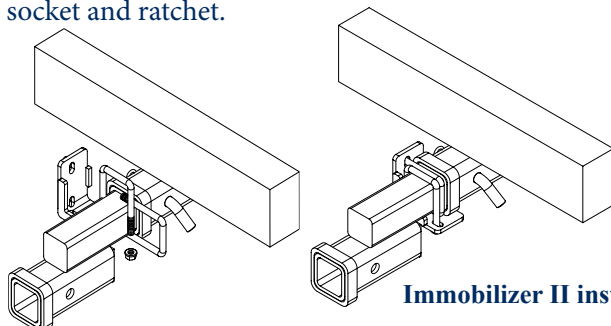
#### WARNING:

##### USE ONLY GENUINE FACTORY REPLACEMENT PARTS.

Do NOT substitute homemade or non-typical parts. This may cause your Immobilizer to fail and result in injury or death. If repairs of parts or components of your Immobilizer are needed, you may order them through your nearest Blue Ox® dealer or distributor, or call our 24/7 Customer Care Team at (402) 385-3051 or toll free at (888) 425-5382.

### Installation Instructions

1. Insure the drop receiver or tow bar is pinned into receiver.
2. Remove the whiz nuts from the U-bolts to remove the U-bolts from the Immobilizer II. Position the 1/4" key stock pieces flush with the back side of the receiver hitch lip.
3. Insuring the U-bolts are perpendicular to the receiver, tighten the whiz nuts firmly with a 9/16" socket and ratchet.



At Blue Ox® we pride ourselves in offering exceptional customer service to our valued customers.

If you have any questions, comments, or concerns please feel free to contact a member of our 24/7 Customer Care Team by calling (402) 385-3051 or toll free at (888)425-5382.

### BLUE OX® Customer Service Commitment

Blue Ox® is focused on providing exemplary customer service, as observed in our mission statement and guiding principles. In accordance with this objective, Blue Ox® is proud to provide services such as repairs and general maintenance of Blue Ox® products at over 150 RV Rallies. Look for our Destination America or Blue Ox® Racing service crews at the next rally or race that you attend. If you were not present, you will find an informative, personalized note explaining any services that may have been performed to your Blue Ox® products.

Blue Ox® also offers educational seminars at rallies and through our Parks and Resort teams. In addition, Blue Ox® customers visiting our factory may take advantage of the well-equipped Blue Ox® RV park at no charge to you, our valued and appreciated customer.



© 2006 Blue Ox

One Mill Road, Industrial Park

Pender, Nebraska 68047

Phone: (402) 385-3051

Fax: (402) 385-3360

www.blueox.us

292-2891