

Serial Number

Please read **BOTH** these Installation Instructions and the General Towing Instructions before attempting to install or operate this equipment.

- Blue Ox® towing products and accessories are intended to be installed by Blue Ox® Dealers who are familiar with our products and have the equipment and knowledge to do “fit work”. When necessary, Blue Ox® Dealers can be found at www.blueox.com or by contacting our Customer Care Department at (402) 385-3051.
- Many Blue Ox® Baseplates are designed to use existing holes and hardware to mount the baseplate to the towed vehicle. Even though bolts are there, do not assume they are adequate for baseplate mounting. Always use hardware supplied in the hardware kit or existing hardware specified in the Baseplate Installation Instructions.

Attachment Tab Height: 21”
Attachment Tab Width: 29.5”

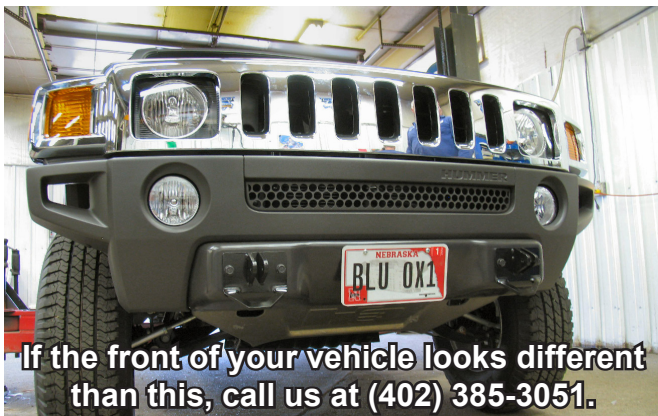
Bolt Torque Specifications
Torque in Foot-Pounds for Metric Bolts

Bolt Size	Grade 8.8	Grade 10.9
6MM	6	8
8MM	16	22
10MM	31	40
12MM	54	70
14MM	89	117

Confirm the towability and pre-towing procedures for your vehicle with the owner’s manual or contact the vehicle’s manufacturer for specific towing procedures.

Bolt Torque Specifications
Torque in Foot-Pounds for Inch Bolts

Bolt Size	Grade 5	Grade 8
1/4”	10	14
5/16”	19	29
3/8”	33	47
7/16”	54	78
1/2”	78	119
5/8”	154	230



WARNING

Failure to read and follow these instructions could result in separation of the towed vehicle from the tow bar, causing property damage, loss of towed vehicle, personal injury or death.

BX4104

2006-10 HUMMER H³

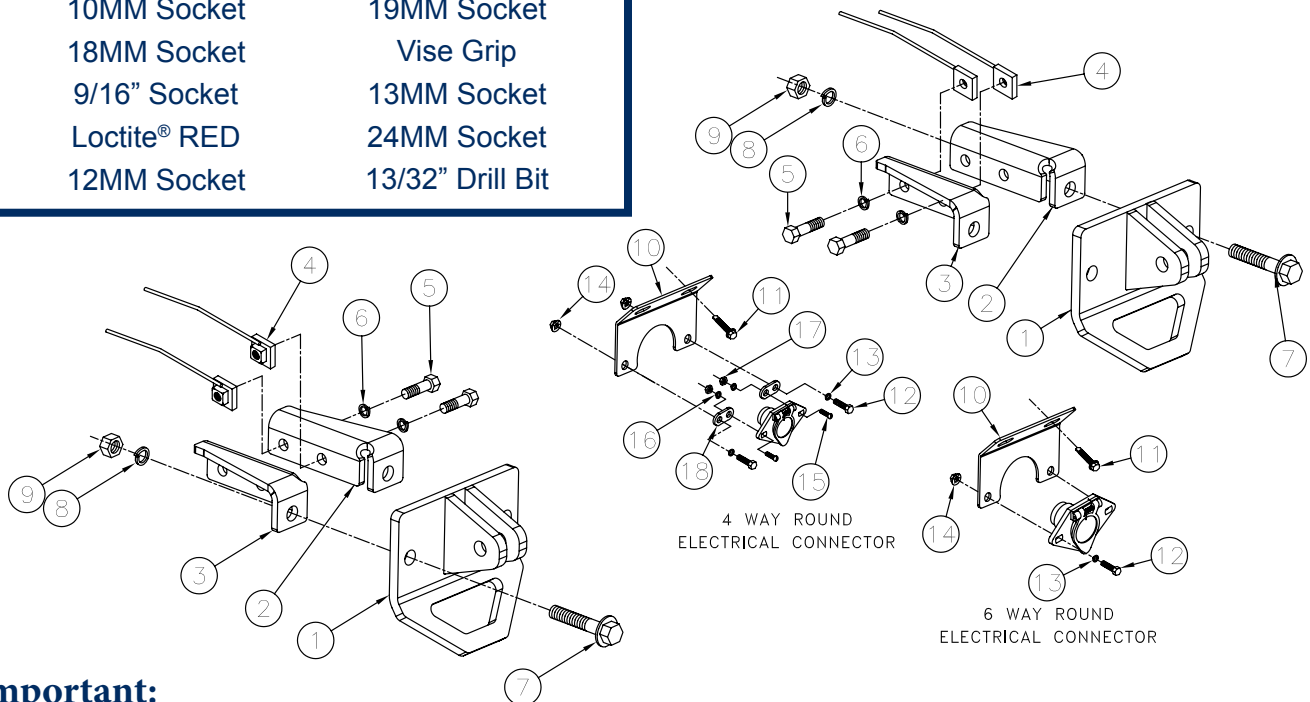
Installation Instructions

Parts List

Ref. No.	Qty.	Part #	Description
1	2	61-6163	Weldment, Baseplate, BX4104
2	2	61-6168	Support Brace, DS, BX4104
3	2	61-6167	Support Brace, PS, BX4104
4	8	61-5208	Weldment, 3/8-16 Nut Plate, w/ 14" Wire
5	8	201-0440	3/8-16 x 1 1/2" Hex Bolt, Grd. 5, ZP
6	8	203-0010	3/8" Lock Washer, ZP
7	4	Existing Bolt	12MM-1.75 x 50MM Hex Bolt, Grd. 8.8, ZP
8	4	203-0105	12MM Lock Washer, ZP
9	4	202-0117	12MM-1.75 Hex Nut, ZP
10	1	101-6841	Electrical, Bracket, 45 Degr.
11	2	201-0654	#10-16 x 1 Self Drilling Screw, ZP
12	2	201-0071	1/4-20 x 1 Hex Bolt, Grd. 5, ZP
13	2	203-0008	1/4" Lock Washer, ZP
14	2	202-0069	1/4-20 Hex Flange Locking Nut, ZP
15	2	201-0192	#10-32 x 1/2 Slot, Rd. Hd. Screw
16	2	203-0054	#10 Lock Washer
17	2	202-0047	#10-32 Hex Nut
18	2	101-5822	Adapter, 4 Way Connector
	2	226-0049	Baseplate Safety Cable, 36" CL IV (N S)
	4	229-0512	Quicklink, 1/2, ZP (Not Shown)

Tools Required

10MM Socket	19MM Socket
18MM Socket	Vise Grip
9/16" Socket	13MM Socket
Loctite® RED	24MM Socket
12MM Socket	13/32" Drill Bit



Important:

Use only genuine factory replacement parts on your baseplate. Do **NOT** substitute homemade or non-typical parts. If a bolt is lost or in need of replacement, for your safety and the preservation of your baseplate, be sure to use a replacement bolt of the same grade (In most cases it will be Grade 5, please reference the parts list above). Replacement parts may be ordered through your nearest Blue Ox® Dealer or Distributor. Failing to follow and/or altering these installation instructions in either installation or required equipment will void the manufacturer's warranty. Towing behind a non-motorized vehicle will void the warranty.

BX4104 2006-10 HUMMER H³

Installation Instructions

Vehicle Weight:

The weight of this vehicle is near the Class III, 5,000lbs. rating limitations. Some models, depending on options, may well exceed this 5,000lb rating. Be sure to confirm the weight of your individual vehicle before towing. As of 1999 the Aventa[®] II is now rated 10,000lbs. and either the Aventa[®] II or the Aventa[®] LX tow bar must be used for these applications.

Tow Bar Adapters are NOT to be used with vehicle's weighing over 5,000lbs.

Instructions:

The front fascia, fascia brace and metal bumper are removed for the baseplate installation. Drilling is required.

Some vehicles fascias may need trimming. The dimensional variations between otherwise identical vehicles can be considerable. While the baseplate was designed for easy installation, it may be necessary to tailor the baseplate slightly to compensate for auto manufacture's tolerances. These minor adjustments may include filing a hole slightly, bending electrical rods or bending endplates.

The Bx8869 Bulb and Socket Wiring Kit is recommended for this vehicle.

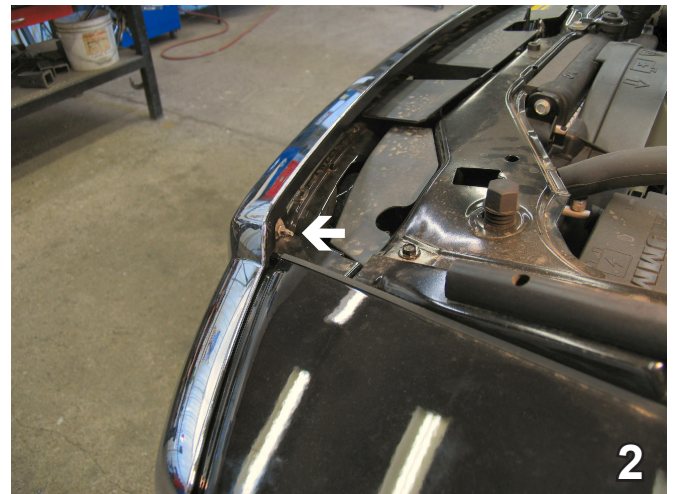


The BX8869 Bulb and Socket Taillight Wiring Kit is recommended for the HUMMER H³.

Installation Instructions:



1. Using a 24MM Socket, remove the tow hooks from the front fascia. Set aside and return to customer as these will **NOT** be reinstalled on the vehicle. Some models will have bolts to remove with a T-30 Torx socket. This procedure will need to be done on both sides of the vehicle, the driver's side is shown.



2. The upper and lower front fascias will need to be removed for this baseplate installation. Using a 10MM Socket, remove one metric bolt from behind the upper front fascia. This procedure is done on both sides of the vehicle, the driver's side is shown.

Handling of some cosmetic parts when installing this product may require the use of protective covers, rags, specialty tools, etc. to prevent damage.

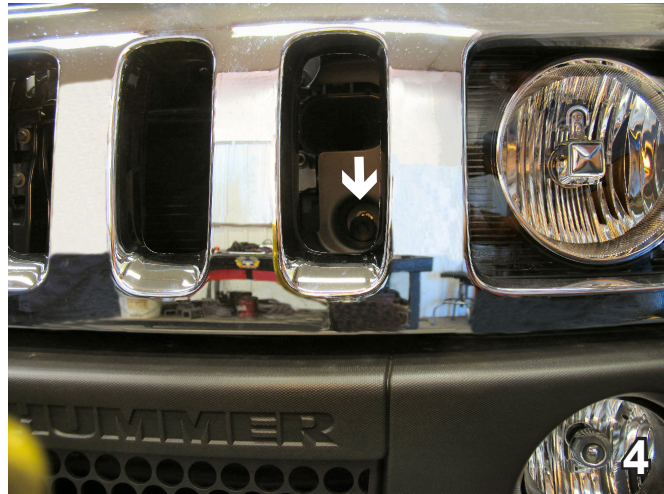
BX4104

2006-10 HUMMER H³

Installation Instructions



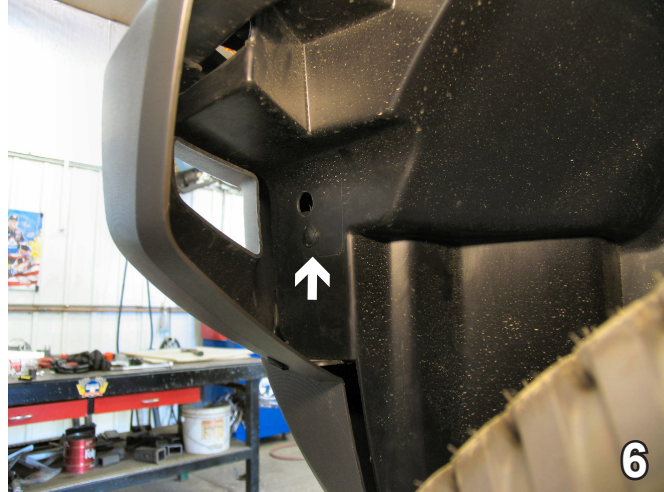
3. On the front side of the upper front fascia, using a 10MM Socket, remove one metric bolt. Set aside as these bolts will need to be re-installed. This procedure is done on both sides of the vehicle, the driver's side is shown.



4. Inside the grill, near the headlight assembly remove one metric bolt using a 10MM Socket. This procedure is done on both sides of the vehicle, the driver's side is shown.



5. Release the clips on the grill and pull forward to remove, set carefully aside as it will be re-installed. There are two clips on each side, this procedure will need to be done on both sides of the vehicle, the driver's side is shown.

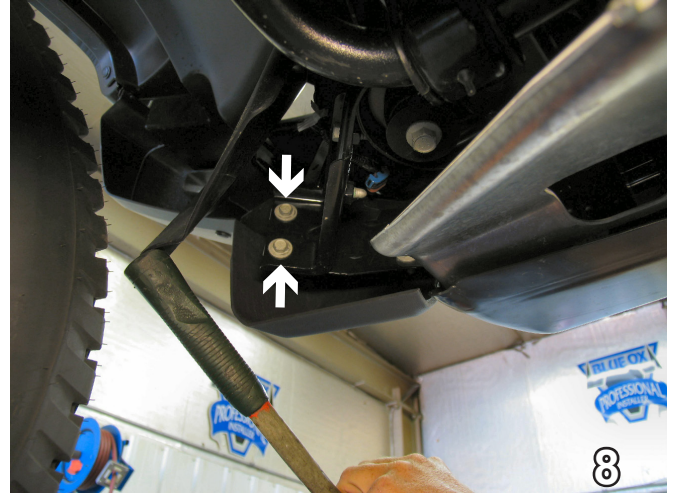


6. On the backside of the lower fascia, remove one push pin from the lower front fascia. Set the push pins aside as they will need to be re-installed. This procedure is done on both sides of the vehicle, the driver's side is shown.

BX4104
2006-10 HUMMER H³
Installation Instructions



7. On the bottom side of the lower front fascia, where the belly pan meets the lower front fascia, remove two metric bolts using a 13MM Socket. When the bolts have been removed, set them aside as they will need to be reinstalled.



8. Next you will need to pull back, but **DO NOT REMOVE**, the webbing from the underneath side of the lower front fascia and remove 2 metric bolts using a 13MM Socket. Set these bolts aside as they will need to be re-installed. This procedure needs to be done on both sides of the vehicle, the driver's side is shown.



9. **2009 Models:** Using a 10MM socket, remove the metric bolt from the impact bar support. Do this on both sides. Set the bolts aside to be reinstalled after the bracket is attached in step 11.

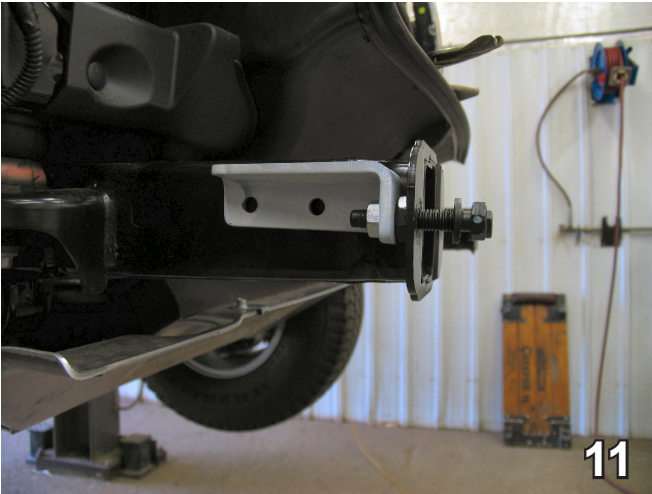


10. Remove the metric bolts from the tow hook bracket, using a 18MM Socket. Set aside as they will be used for the baseplate installation. Pull the lower front bumper fascia forward and set carefully aside as it will need to be re-installed.

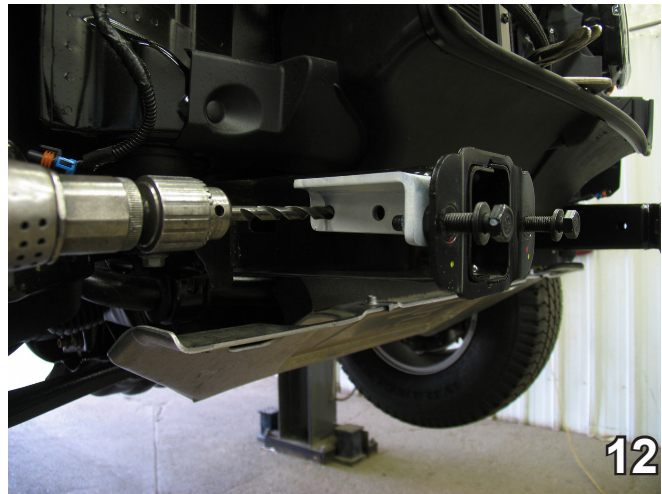
BX4104

2006-10 HUMMER H³

Installation Instructions



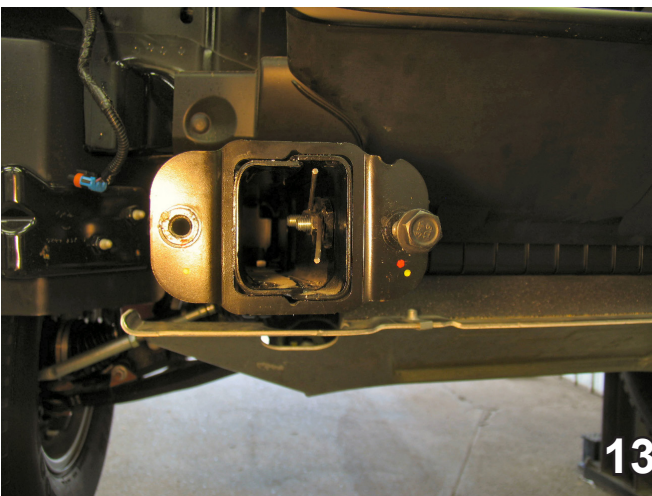
11. Using the existing bolts (Reference #9 on page 5 of this document) insert but do not fully tighten the bracket so that it sits up next to the frame rail.



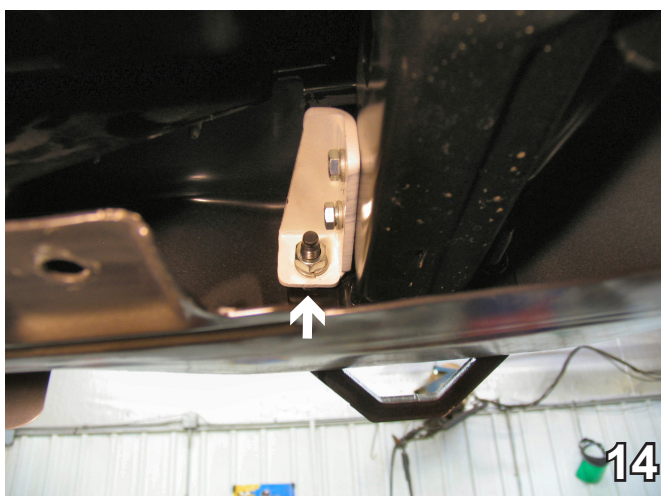
12. Using the baseplate as a template, drill the holes with the 13/32" drill bit, for the baseplate to mount to the frame rail.

- This baseplate is painted white for illustration purposes only. The actual baseplate has a black powder coat finish.

When using power drills be aware of the dangers of torque and drill bit length.



13. Insert the nut plates into the frame rail to align with drilled holes and tighten the 3/8"-16 hex bolts and 3/8" lock washers according to the torque chart on page one of this document. **(BE SURE TO USE LOCTITE RED.)** This is done on both sides of the vehicle, the passenger's side is shown.



14. Remove the existing bolt, 12MM hex nuts (reference #9 on page 5 of this document) and replace fascias according to the directions on the previous pages. This procedure is done on both sides of the vehicle, the passenger's side is shown.

BE SURE TO USE LOCTITE® RED ON ALL BOLTS BEFORE TIGHTENING. TIGHTEN ALL BOLTS ACCORDING TO THE TORQUE CHART ON THE FRONT PAGE OF THESE INSTRUCTIONS OR ON PAGE 3 OF THE BASEPLATE TOWING GENERAL INSTRUCTIONS.

BX4104
2006-10 HUMMER H³
Installation Instructions



15. Align baseplate with existing holes on front of metal bumper fascia. Tighten existing bolts to go through the bracket. Replace lock washer and hex nut to back side of the fascia, as shown in step #14. This procedure is done on both sides of the vehicle, the driver's side is shown.

- This baseplate is painted white for illustration purposes only. The actual baseplate has a black powder coat finish.

17. Install the tow bar and safety cables according to the instructions when demonstrating this to the customer. Be sure to include all the contents and packages.



16. Attach the permanent baseplate safety cables to the provided convenience link on the baseplate (see grey arrow). The photo above shows the recommended installation of the cables to frame of vehicle (see white arrow). Additional options may interfere with suggested mounting; in this case secure the cables to a solid piece of the frame as described in the instructions included with the permanent baseplate safety cables. Be sure the safety cables do not rub against any hoses or moving parts. Do this to both sides of the vehicle.

18. Do **NOT** substitute other devices if the tow bar pins and clips are misplaced.

BX4104

2006-10 HUMMER H³

Installation Instructions

Be sure that ALL electrical connections are plugged in properly and functioning BEFORE Installing the fascia.

DEALER or INSTALLER:

Be certain the user receives ALL technical documentation for their products.



If the baseplate is in an accident, it must be replaced. DO NOT use it again! An accident can cause unseen damage and using it again could result in more damage or serious injury. DO NOT use the baseplate if it is damaged or missing parts.

CUSTOMER SERVICE COMMITMENT

Blue Ox is committed to providing you with exceptional customer care throughout your lifetime with our products. Our team is here to assist you with any questions you may have regarding the performance of your product. Simply call (402) 385-3051 and you can speak with our customer care team.

Additionally, please visit our website to see which rallies our Destination America team will be attending. For a nominal fee, our service technician will service your towing system to ensure it's in proper working condition. Also as a commitment to our customers, should you visit our factory you can stay at our full service Blue Ox campground at no charge along with enjoying a factory tour.

Again thank you for being our customer and for the confidence you have shown in the performance of our products. It is because of customers like you we enjoy the success we have today.



© 2005, 07, 08, 09, 10 Blue Ox
One Mill Road, Industrial Park
Pender, Nebraska 68047

Phone: (402) 385-3051 • Fax: (402) 385-3360
www.blueox.com

General Information

1. Ensure that your product(s) are registered online at www.blueox.com. It is crucial to register your product(s) so that you may be alerted of product offerings, updates, upgrades, maintenance and safety bulletins, and/or recalls.
2. **It is the owner's responsibility to inspect all towing equipment for cracked welds, missing or worn parts and loose bolts before each towing trip.** Be sure to use Loctite® Red on all bolts and tighten to the recommended specifications.
3. **It is the owner's responsibility to hook up all towing equipment per manufacturer's instructions/recommendations.**
4. Remove the attachment tabs when not in use (if applicable).

Notice To Baseplate Installer

1. It is YOUR responsibility to watch for:

- Oil cooler and air conditioner lines
- Electrical wires and hoses
- Missing parts or attaching points on the frame

** If the baseplate is improperly installed and is against a wire or hose, it could cause fluid leaks or electrical shorts some time after the actual baseplate installation.

Permanent Baseplate Safety Cable Installation

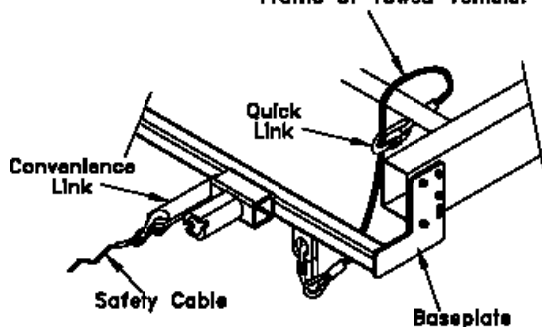
Permanent baseplate safety cables are strongly recommended when towing a vehicle with a tow bar. The principle function of the permanent baseplate safety cables is to prevent the towed vehicle from breaking loose in the event the connection between the frame of the towed vehicle and the baseplate fails or becomes disconnected. The cables must be connected from the baseplate to the frame rail or cross member of the vehicle's frame. The illustrations below show the possible arrangements recommended by Blue Ox®. Each permanent baseplate safety cable must have an adequate weight rating for the towing system. The weight rating of the two (2) cables together will not qualify.

Do not mount the permanent baseplate safety cables against wires, hoses or brake lines.

These permanent baseplate safety cables should remain installed as long as the baseplate is installed on the vehicle. Permanent baseplate safety cables are to be used in conjunction with, and NOT a replacement for legally required safety cables attaching the towed vehicle to the towing vehicle.

OPTION #1

Permanent Baseplate Safety Cables to Cross Member or Frame of Towed Vehicle.



OPTION #2

Permanent Baseplate Safety Cables to Cross Member or Frame of Towed Vehicle.

