



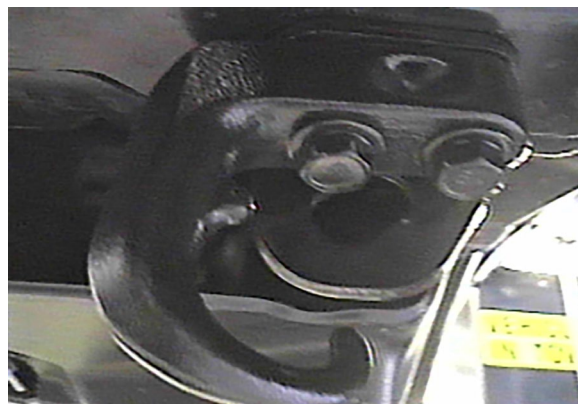
Strong As An Ox™

**BX3745 Installation Instructions
2001-04 Toyota Sequoia, 4/WD**

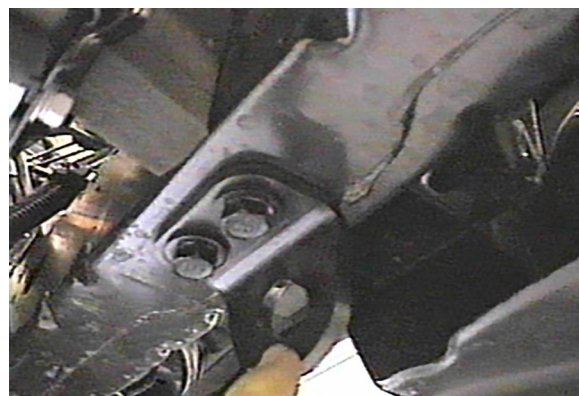
2003-06 Toyota Tundra, 2WD/ 4WD

Serial No.

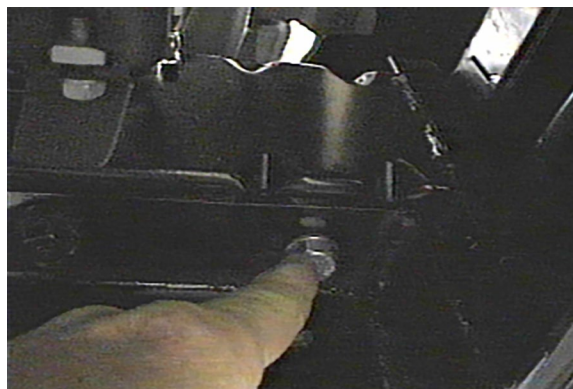
Tie down bracket and tow hook is removed and reinstalled for baseplate installation. Some drilling required. The BX8869 bulb and socket kit are recommended for this vehicle. The attachment tabs are 24 inches center to center and at 14 inches height.



1. Remove the two metric bolts from factory tie down brackets with 17MM socket on drivers side.



2. Remove the two metric bolts from factory tow brackets with 17MM socket on passenger side.



IMPORTANT: Use only genuine factory replacement parts on your Base Plate. Do not substitute homemade or nontypical parts. If a bolt is lost or in need of replacement, for your safety and the preservation of your Base Plate, be sure to use a replacement bolt of the same grade (Usually Grade 5, refer to parts list). Repair parts may be ordered through your nearest **Blue Ox** dealer or distributor.

3. Hold baseplate in place and tighten existing bolts. **Be sure and use loctite on all bolts before tightening.** Using baseplate as a template drill holes with 17/32" drill bit, both sides.
4. Insert item 2 into holes on frame sides to align with drilled holes. Tighten items 3 and 4 into item 2. **Be sure and use loctite on all bolts before tightening.** Baseplate installation is complete.
5. The dimensional variations between otherwise identical cars can be considerable. While the location and size of the holes in the baseplate were designed to allow for easy installation. It may be necessary to file a hole slightly.
6. Install tow bar and safety cables according to the instructions included in their packages. Do not substitute other devices if the tow bar pin or clip is lost.
7. **DEALER OR INSTALLER: BE CERTAIN THE USER RECEIVES THE INSTRUCTION SHEET.**



Strong As An Ox™

Tools Required

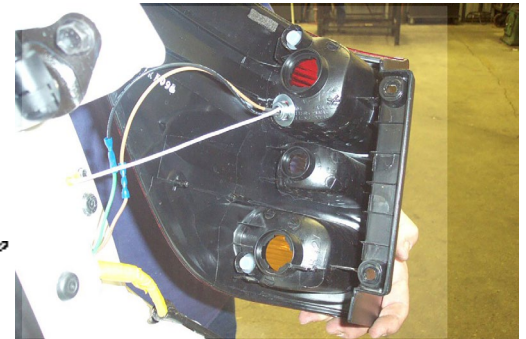
17MM Socket

3/4" Socket
17/32" Drill Bit

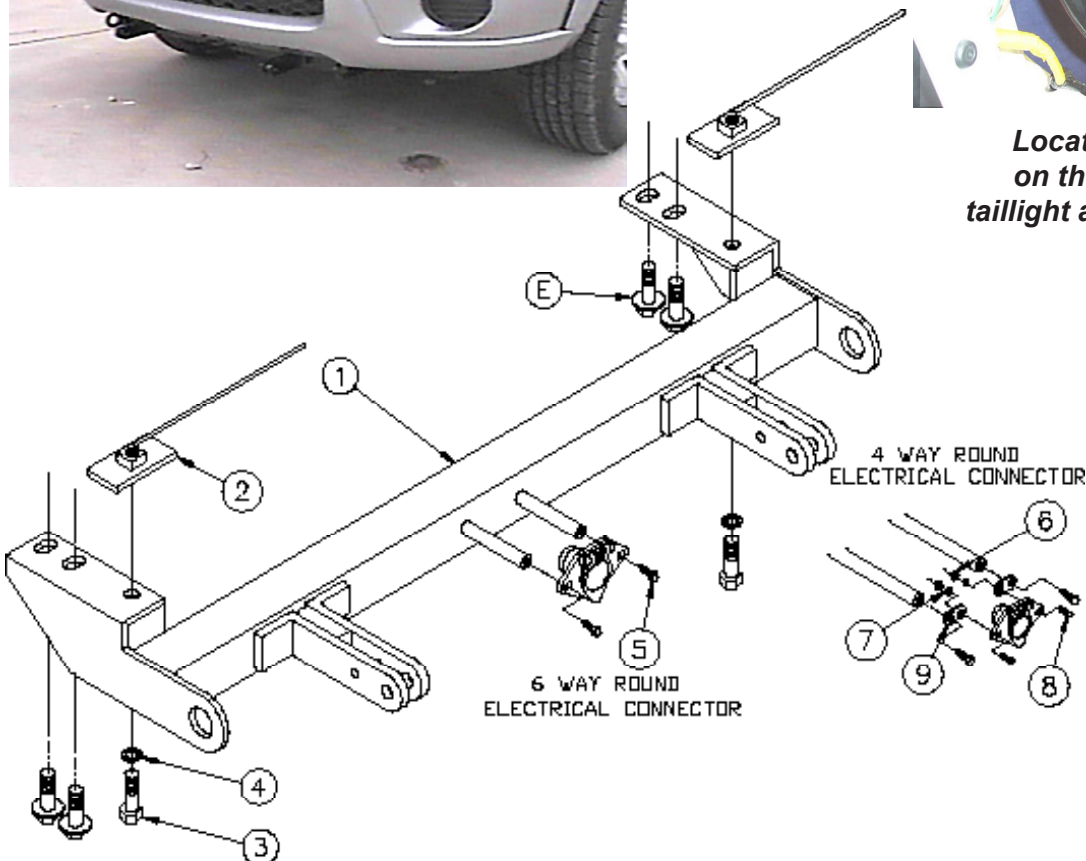
Loctite Red

Parts List

Ref. No.	Qty.	Part No.	Description
1	1	61-5625	Weldment, Base Plate, BX3745
2	2	61-5496	1/2" Nut Plate, with 18" Wire
3	2	201-0051	1/2-13, Hex Bolt, Grd 5., ZP
4	2	203-0012	1/2 Lock Washer, ZP
5	2	201-0979	#12-14 x 1" Self Drilling Screw, ZP
6	2	202-0047	#10-32 Hex Nut
7	2	203-0054	#10 Lock Washer
8	2	201-0192	#10-32 x 1/2 Slot, Rd. Hd. Screw
9	2	101-5822	Adapter, 4 Way Connector
E	4	Existing	Bolts
	2	226-0049	Baseplate Safety Cable, 36" CL IV (Not Shown)
	4	229-0512	Quicklink, 1/2, ZP (Not Shown)



**Location for the BX8869
on the passenger's side
taillight assembly, 2004 model.**



General Information

1. Ensure that your product(s) are registered online at www.blueox.com. It is crucial to register your product(s) so that you may be alerted of product offerings, updates, upgrades, maintenance and safety bulletins, and/or recalls.
2. **It is the owner's responsibility to inspect all towing equipment for cracked welds, missing or worn parts and loose bolts before each towing trip.** Be sure to use Loctite® Red on all bolts and tighten to the recommended specifications.
3. **It is the owner's responsibility to hook up all towing equipment per manufacturer's instructions/recommendations.**
4. Remove the attachment tabs when not in use (if applicable).

Notice To Baseplate Installer

1. It is YOUR responsibility to watch for:

- Oil cooler and air conditioner lines
- Electrical wires and hoses
- Missing parts or attaching points on the frame

** If the baseplate is improperly installed and is against a wire or hose, it could cause fluid leaks or electrical shorts some time after the actual baseplate installation.

Permanent Baseplate Safety Cable Installation

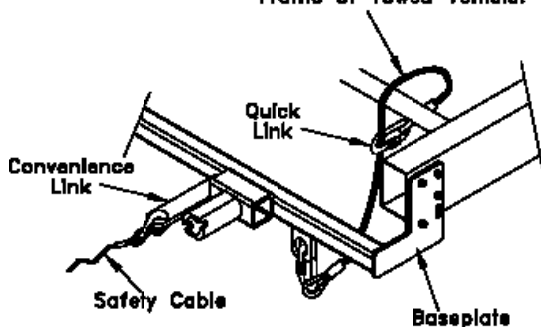
Permanent baseplate safety cables are strongly recommended when towing a vehicle with a tow bar. The principle function of the permanent baseplate safety cables is to prevent the towed vehicle from breaking loose in the event the connection between the frame of the towed vehicle and the baseplate fails or becomes disconnected. The cables must be connected from the baseplate to the frame rail or cross member of the vehicle's frame. The illustrations below show the possible arrangements recommended by Blue Ox®. Each permanent baseplate safety cable must have an adequate weight rating for the towing system. The weight rating of the two (2) cables together will not qualify.

Do not mount the permanent baseplate safety cables against wires, hoses or brake lines.

These permanent baseplate safety cables should remain installed as long as the baseplate is installed on the vehicle. Permanent baseplate safety cables are to be used in conjunction with, and NOT a replacement for legally required safety cables attaching the towed vehicle to the towing vehicle.

OPTION #1

Permanent Baseplate Safety Cables to Cross Member or Frame of Towed Vehicle.



OPTION #2

Permanent Baseplate Safety Cables to Cross Member or Frame of Towed Vehicle.

