



BX3506 Installation Instructions 1992-94 Geo Metro/Suzuki Swift

Installation of this baseplate requires removing each front turn/parking light and drilling holes through the vehicle's tie down brackets.

1. Read the General Instruction Sheet included with this baseplate.
2. The baseplate mounts to the front underside of the car using eight provided bolts, four on each side.
3. Remove each front turn/parking light with a phillips screwdriver and let them to hang from the wires.
4. Remove the bumper/chassis bolt from the lower inside of the light opening using a 12mm socket.
5. Replace the bolt removed in Step 4 with the 8mm x 1.25 x 35mm bolt and an 8mm flat washer using a 13mm socket. Use Loctite and tighten firmly.
6. Replace the light assemblies removed in Step 3.
7. Position the left and right clamp assemblies inside the stamped tie down brackets with the hole in the vertical arm oriented over the threaded end of the 8mm bolt installed in Step 5. Note the relationship between the obrounds, the clamp must match the tie down. Place an 8mm lock washer and nut loosely on the 8mm bolt to hold the clamp assemblies in position.
8. Slide the main baseplate weldment up inside the tie down brackets with the tow bar attachment tabs facing forward and up. Hold the cross tube in position with the two 1/2" x 1 1/2" bolts provided, one on each side. Secure the bolts loosely with a nut and lock washer.
9. Place the 1/4" x 1 1/2" bolt through the smallest hole on each side and secure loosely with a lock washer and nut. This will align the clamp assemblies with the main weldment.
10. Tighten all bolts lightly. Look under the car on the inside of the tie down brackets. There is a horizontal line where the two pieces of metal are joined. The top edge of the side plates on the main weldment should align to this horizontal line. Adjust to achieve this and tighten all bolts firmly. (This is not the final tightening)
11. With a 13/32" drill bit, cross drill through the tie down from the outside in using the rear-most hole on the clamps as a guide. Drill both sides.
12. Disassemble the unit sufficiently to clear the burrs from the holes just drilled.
13. Reassemble using Loctite on all bolts. In addition to the previous hardware, add the 3/8" x 1 1/2" bolts, flat and lock washers, and nuts in the holes just drilled. Tighten in rotation, making sure all components bolt flush to the tie down clamps.
14. The dimensional variations between otherwise identical cars can be considerable. While the location and size of the holes in the baseplate were designed to allow for easy installation, it may be necessary to file a hole slightly to allow a bolt to clear.

Automatic

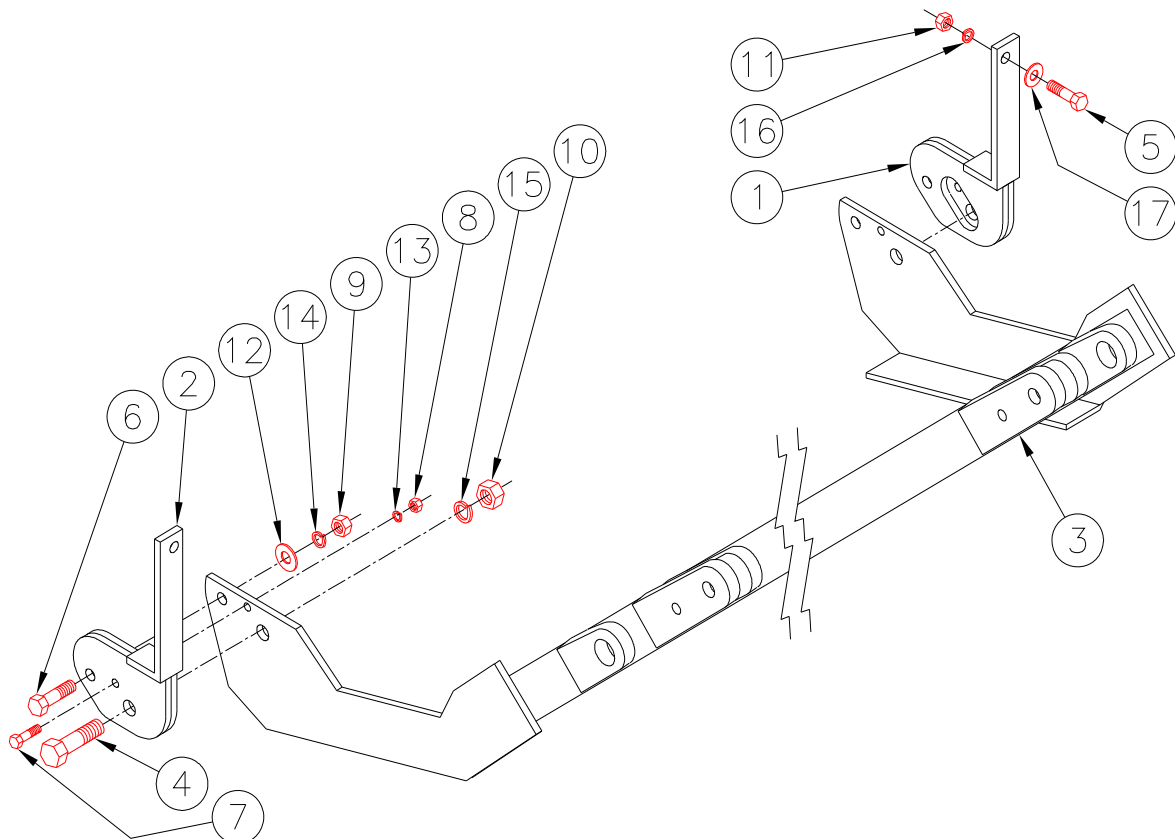
15. Install the tow bar and safety cables according to the instructions included in their packages.
16. Do not substitute other devices if the tow bar pin and clip are lost.
17. **DEALER OR INSTALLER:** BE CERTAIN THE USER RECEIVES THE INSTRUCTION SHEET.

Tools Required

Phillips head screwdriver	12mm socket	13mm socket
9/16" socket	3/4" socket	9/16" combination wrench
3/4" combination wrench	13/32" drill bit and drill	Locktite Blue

Parts List

Ref No.	Qty.	Part No.	Description
1	1	61-3450	Weldment, Clamp Assembly, D.S., BX3504
2	1	61-3451	Weldment, Clamp Assembly, P.S., BX3504
3	1	61-3772	Weldment, Base Tube, BX3506
4	2	201-0051	1/2-13 X 1 1/2 Hex Head Bolt, Grade 5
5	2	201-0418	8mm-1.25 X 35mm Hex Bolt, Grade 8.8
6	2	201-0440	3/8-16 X 1 1/2 Hex Bolt, Grade 5
7	2	201-0448	1/4-20 X 1 1/2 Hex Bolt, Grade 5
8	2	202-0001	1/4-20 Hex Nut
9	2	202-0003	3/8-16 Hex Nut
10	2	202-0005	1/2-13 Hex Nut
11	2	202-0118	8mm-1.25 Hex Nut
12	2	203-0003	3/8 Flat Washer
13	2	203-0008	1/4 Lock Washer
14	2	203-0010	3/8 Lock Washer
15	2	203-0012	1/2 Lock Washer
16	2	203-0102	8mm Lock Washer
17	2	203-0107	8mm Flat Washer



General Information

1. Ensure that your product(s) are registered online at www.blueox.com. It is crucial to register your product(s) so that you may be alerted of product offerings, updates, upgrades, maintenance and safety bulletins, and/or recalls.
2. **It is the owner's responsibility to inspect all towing equipment for cracked welds, missing or worn parts and loose bolts before each towing trip.** Be sure to use Loctite® Red on all bolts and tighten to the recommended specifications.
3. **It is the owner's responsibility to hook up all towing equipment per manufacturer's instructions/recommendations.**
4. Remove the attachment tabs when not in use (if applicable).

Notice To Baseplate Installer

1. It is YOUR responsibility to watch for:

- Oil cooler and air conditioner lines
- Electrical wires and hoses
- Missing parts or attaching points on the frame

** If the baseplate is improperly installed and is against a wire or hose, it could cause fluid leaks or electrical shorts some time after the actual baseplate installation.

Permanent Baseplate Safety Cable Installation

Permanent baseplate safety cables are strongly recommended when towing a vehicle with a tow bar. The principle function of the permanent baseplate safety cables is to prevent the towed vehicle from breaking loose in the event the connection between the frame of the towed vehicle and the baseplate fails or becomes disconnected. The cables must be connected from the baseplate to the frame rail or cross member of the vehicle's frame. The illustrations below show the possible arrangements recommended by Blue Ox®. Each permanent baseplate safety cable must have an adequate weight rating for the towing system. The weight rating of the two (2) cables together will not qualify.

Do not mount the permanent baseplate safety cables against wires, hoses or brake lines.

These permanent baseplate safety cables should remain installed as long as the baseplate is installed on the vehicle. Permanent baseplate safety cables are to be used in conjunction with, and NOT a replacement for legally required safety cables attaching the towed vehicle to the towing vehicle.

OPTION #1

Permanent Baseplate Safety Cables to Cross Member or Frame of Towed Vehicle.



OPTION #2

Permanent Baseplate Safety Cables to Cross Member or Frame of Towed Vehicle.

