



BX2246

2007-11 Honda CR-V Installation Instructions

Attachment Tab Height: 16"

Attachment Tab Width: 19"

Serial Number

Please read BOTH these Installation Instructions and the General Information sheet prior to installing or operating this equipment.

1. Blue Ox® towing products and accessories are intended to be installed by Blue Ox® Dealers who are familiar with our products and have the equipment and knowledge necessary to do "fit work". If needed, Blue Ox® Dealers can be found at www.blueox.com or by contacting our Technical Service Department at (402) 385-3051.
2. Many Blue Ox® baseplates are designed to use existing holes and hardware to mount the baseplate to the towed vehicle. Even though bolts are there, do not assume they are adequate for baseplate mounting. Always use the hardware supplied in the hardware kit and existing hardware as specified in the installation instructions.

Bolt Torque Specifications

Torque in Foot-Pounds for Inch Bolts

Bolt Size	Grade 5	Grade 8
1/4"	10	14
5/16"	19	29
3/8"	33	47
7/16"	54	78
1/2"	78	119
5/8"	154	230
3/4"	257	380



If the front of your vehicle looks different than this, call us at (402) 385-3051.

Reference your vehicle owner's manual for manufacturer's towing specifications.

Bolt Torque Specifications

Torque in Foot-Pounds for Metric Bolts

Bolt Size	Grade 8.8	Grade 10.9
6MM	6	8
8MM	16	22
10MM	31	40
12MM	54	70
14MM	89	117
16MM	161	230
18MM	222	318



WARNING

Failure to read and follow these instructions could result in separation of the towed vehicle from the tow bar, causing property damage, loss of towed vehicle, personal injury or death.

BX2246

2007-11 Honda CR-V

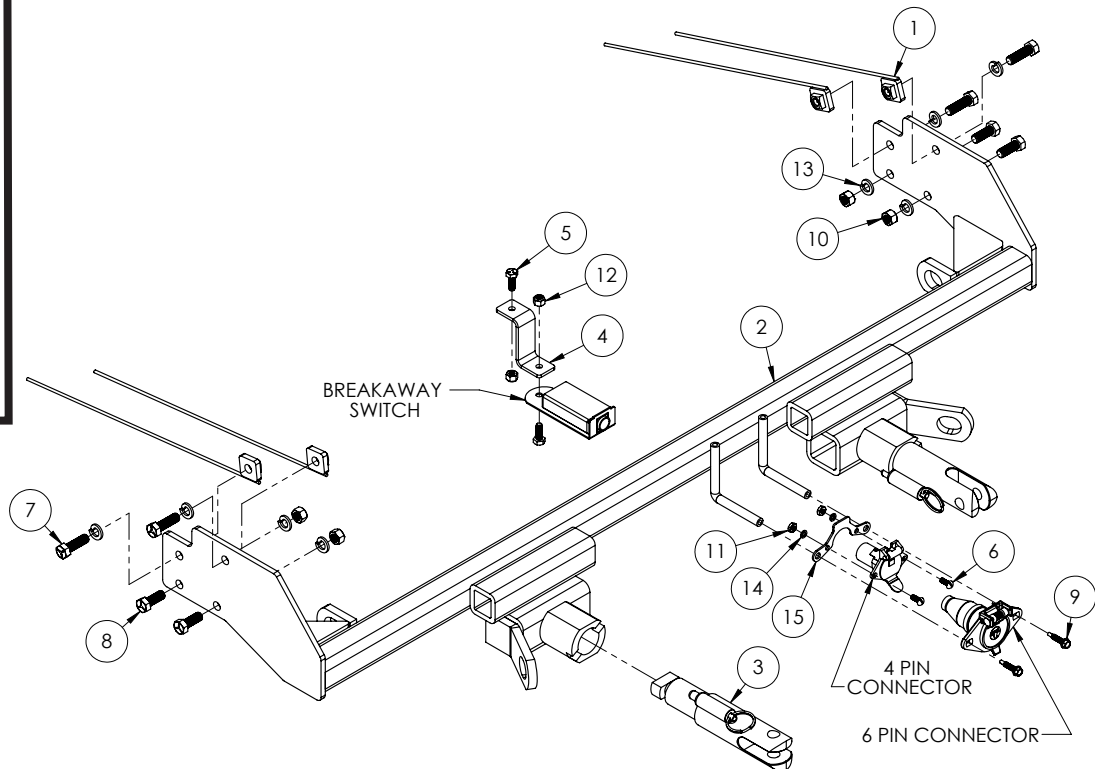
Installation Instructions

Parts List

Ref. No.	Qty.	Part #	Description
1	4	61-5208	3/8" Nut Plate, with Wire
2	1	61-6336	Weldment, Base Plate, BX2246
3	2	62-3468	Attachment, Assembly, SF/SB (R)
4	1	102-7056	Breakaway Bracket, BX2246
5	2	201-0050	1/4-20 X 3/4 Hex Bolt Grd.5, ZP
6	2	201-0192	#10-32 x 1/2 Slot, Rd. Hd. Screw
7	4	201-0368	3/8-16 x 1 1/4" Hex Bolt, Grd. 5, ZP
8	4	201-0443	3/8-16 x 1" Hex Bolt, Grd. 5, ZP
9	2	201-0979	#12-14 x 1" Self Drilling Screw, ZP
10	4	202-0003	3/8-16 Hex Nut, ZP
11	2	202-0047	#10-32 Hex Nut
12	2	202-0102	1/4-20 Hex Nyl Nut, ZP
13	8	203-0010	3/8" Lock Washer
14	2	203-0054	#10 Lock Washer
15	1	299-0685	Electrical Bracket, ZP
16	2	226-0046	Permanent Baseplate Safety Cables (Not Shown)
17	2	229-0359	3/8" Quick Link (Not Shown)
18	2	290-0437	Cap Plug, Plug (Not Shown)

Tools Required

- 10mm Socket
- Phillips Screw Driver
- 12mm Socket
- Utility Knife
- 9/16" Socket
- Hack Saw Blade
- Vise Grips
- Hammer
- Reciprocating Saw
- 9/32" Drill Bit
- Flat Screw Driver
- 13/32" Drill Bit
- Loctite® RED



Important:

Use only genuine factory replacement parts on your baseplate. Do **NOT** substitute homemade or non-typical parts. If a bolt is lost or in need of replacement, for your safety and the preservation of your baseplate, be sure to use a replacement bolt of the same grade (In most cases it will be Grade 5, please reference the parts list above). Replacement parts may be ordered through your nearest Blue Ox® Dealer or Distributor. Failing to follow and/or altering these installation instructions in either installation or required equipment will void the manufacturer's warranty. Towing behind a non-motorized vehicle will void the warranty.

BX2246

2007-11 Honda CR-V

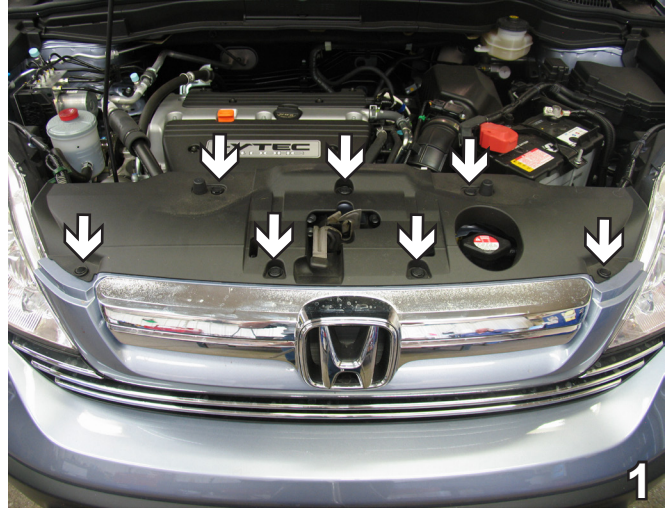
Installation Instructions

Installation Notes: The fascia, air baffle, metal bumper, temperature sensor and washer reservoir are removed for installation. Trimming is required. Drilling is required.

The dimensional variations between otherwise identical vehicles can be considerable. While the baseplate was designed for easy installation, it may be necessary to tailor the baseplate slightly to compensate for auto manufacturer's tolerances. These minor adjustments may include filing a hole slightly, bending electrical rods or bending end plates.

The BX8869 Bulb and Socket Wiring Kit is recommended for this vehicle.

Installation Instructions:



1. Remove seven pushpins from the top of the radiator cover. Pull radiator cover forward to remove. Set radiator cover and pushpins aside to be reinstalled later.



Possible location for the BX8869 Bulb and Socket Wiring Kit.



2. Just forward of front tire, inside the wheel well, remove two Phillips screws (see white arrows). Remove one pushpin on the corner of fascia, just above the upper Phillips screw (see grey arrow). Do this to both sides of the vehicle. Set screws and pushpins aside to be reinstalled later.

Handling of some cosmetic parts when installing this product may require the use of protective covers, rags, specialty tools, etc. to prevent damage.

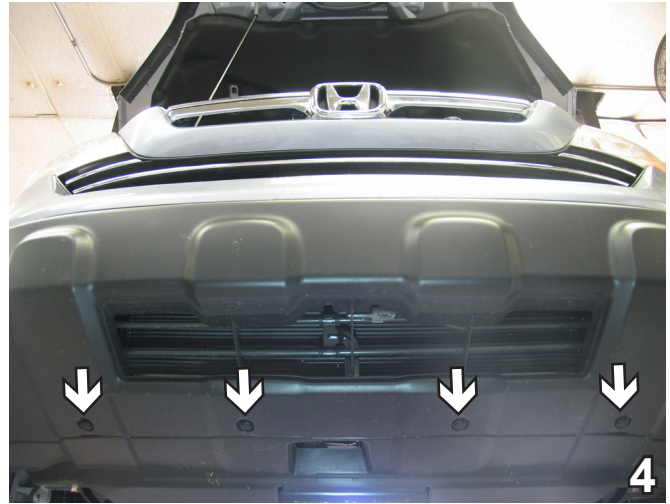
BX2246

2007-11 Honda CR-V

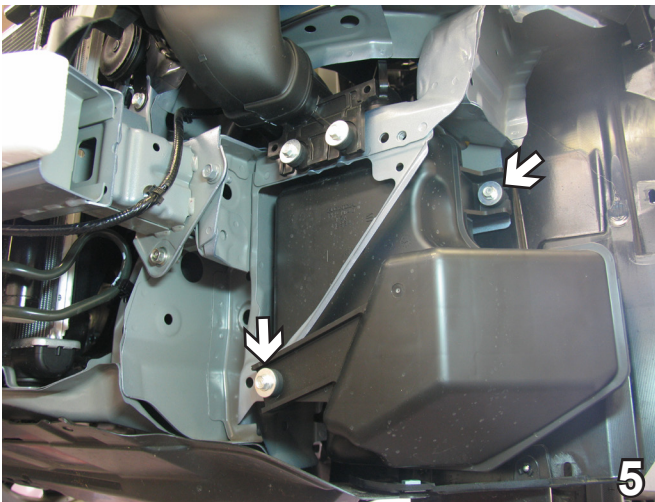
Installation Instructions



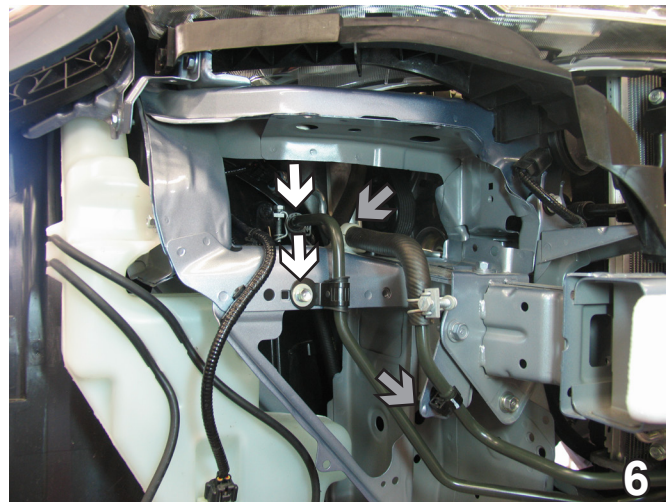
3. On driver's side, remove one metric bolt from the lower edge of fascia, just forward of front tire, using the 10mm socket. Do this to both sides of vehicle. Set bolts aside to be reinstalled later.



4. Remove four pushpins from the bottom of fascia. Pull fascia corners to the side, then forward to remove. Set pushpins and fascia aside carefully to be reinstalled later.



5. On the driver's side, remove two metric bolts from the air baffle using the 10mm socket. Pull air baffle down and out to the side of vehicle to remove. Set bolts and air baffle aside to be reinstalled later.



6. On passenger's side, on coolant line closest to washer reservoir, remove one metric bolt using the 10mm socket (see lower white arrow) and disconnect one clip from line (see upper white arrow). On the coolant line closest to frame, disconnect two clips (see grey arrows). The two upper clips will remain on vehicle and the two lower clips are to remain on coolant lines.

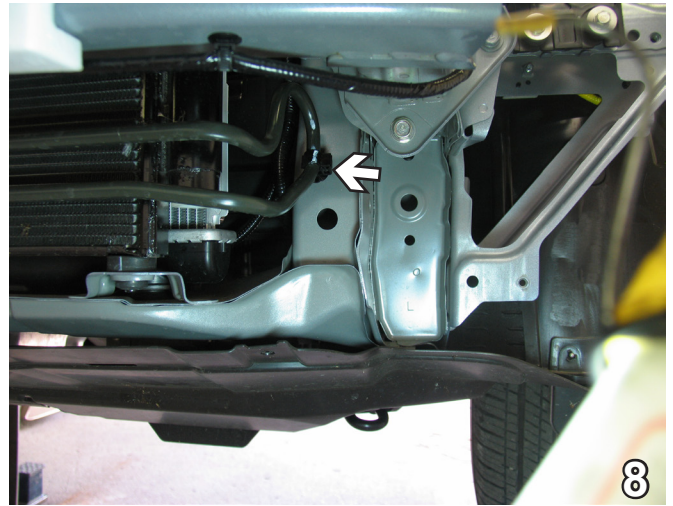
BX2246

2007-11 Honda CR-V

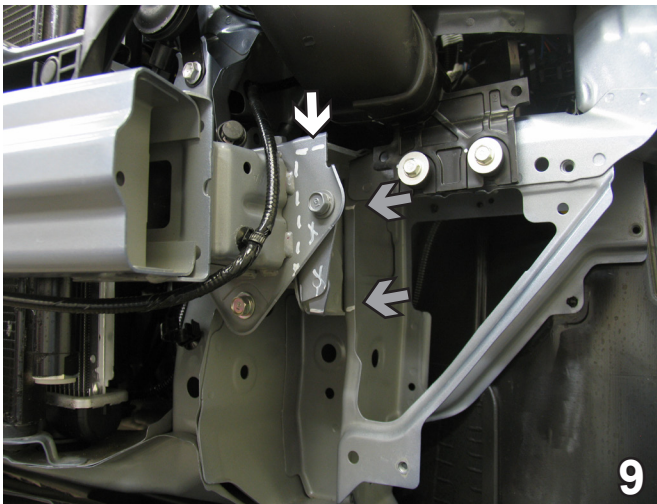
Installation Instructions



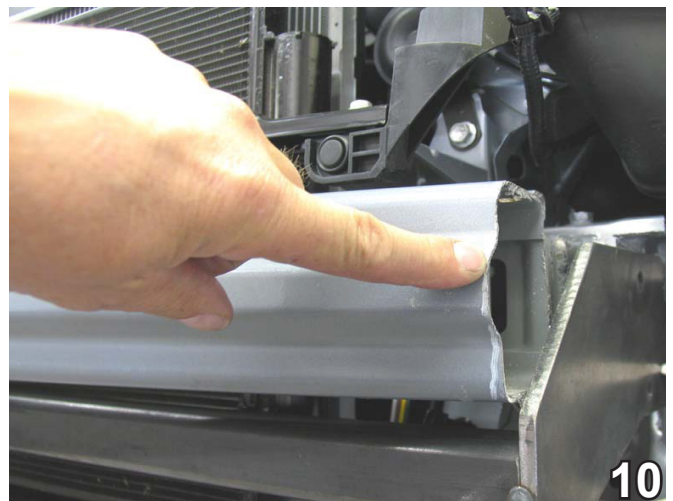
7. Using the 10mm socket, remove one metric bolt from the coolant line bracket at the bottom of radiator. Set bolt aside to be reinstalled later.



8. On driver's side, remove the coolant line clip from the front of lower frame support just below metal bumper. Do not remove clip from coolant line. Pull the driver's side end of coolant line over to the passenger side of vehicle to clear area for baseplate installation.



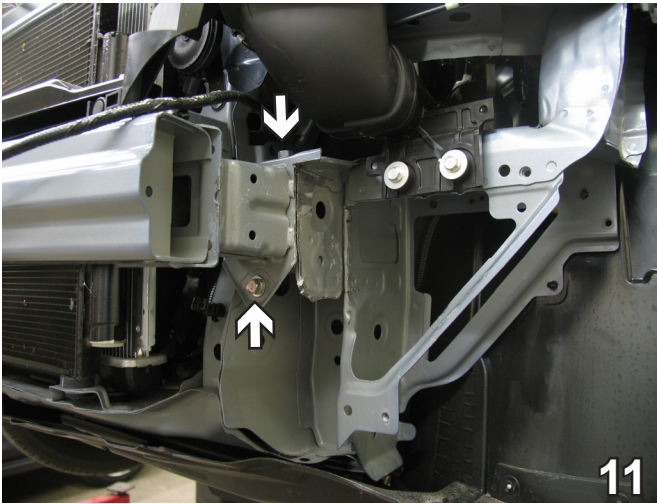
9. Using the reciprocation saw, cut through the webbing of the frame end – making a horizontal cut even with the top edge of frame rail end (see white arrow) starting from the outer edge of webbing and ending flush with the side of frame. Then make a vertical cut starting from the bottom of frame webbing, flush with the side of frame, up to the end of initial cut and remove this portion of webbing. Next make two horizontal cuts on the frame support webbing (see grey arrows) and flatten with the hammer. Do this to both sides of the vehicle.



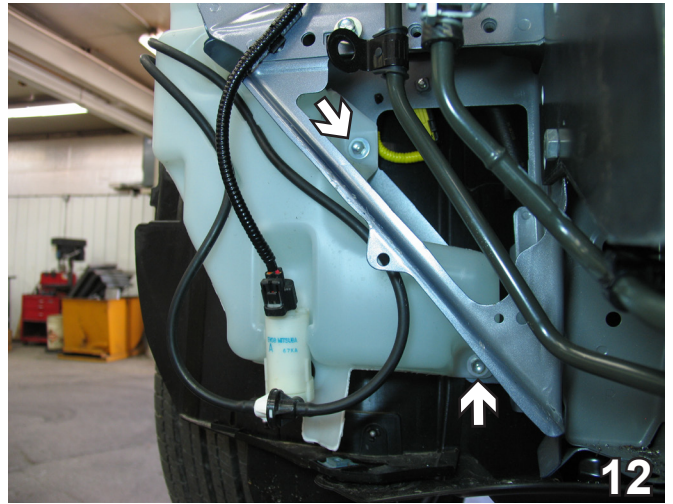
10. Using the reciprocating saw, cut the metal bumper to make it flush with the side of the frame rail, approximately 1/4" from the end of metal bumper. Do this to both sides of the vehicle. This clears the area for baseplate installation.

BX2246

2007-11 Honda CR-V Installation Instructions



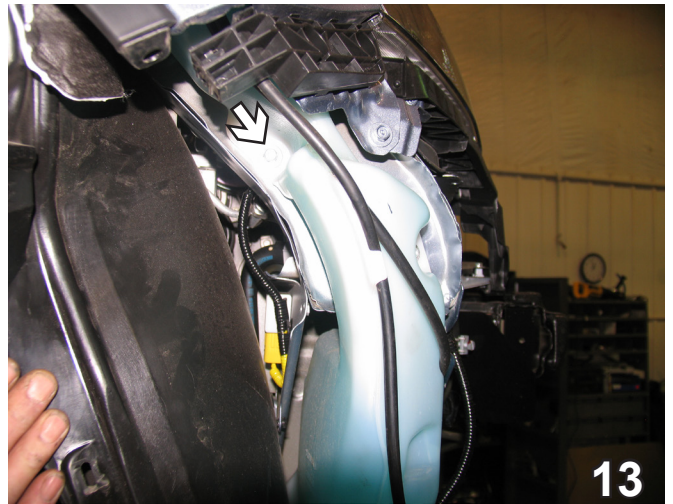
11. Using the 12mm socket, remove two metric bolts (one from the top and one from the bottom) of the metal bumper support. Do this to both sides of the vehicle. Remove the pins attaching the temperature sensor to the bottom of the bumper. Pull bumper forward to remove. Set bolts, bumper, pins and sensor aside to be reinstalled later.



12. On the passenger's side, disconnect and plug the washer reservoir. Remove two metric bolts from the front of reservoir using the 10mm socket. Set bolts aside to be reinstalled later.



13. **2007-09 Models:** Remove one metric bolt from the side of washer reservoir using the 10mm socket. Pull reservoir down and to the side to remove. Set bolts and reservoir aside to be reinstalled later.

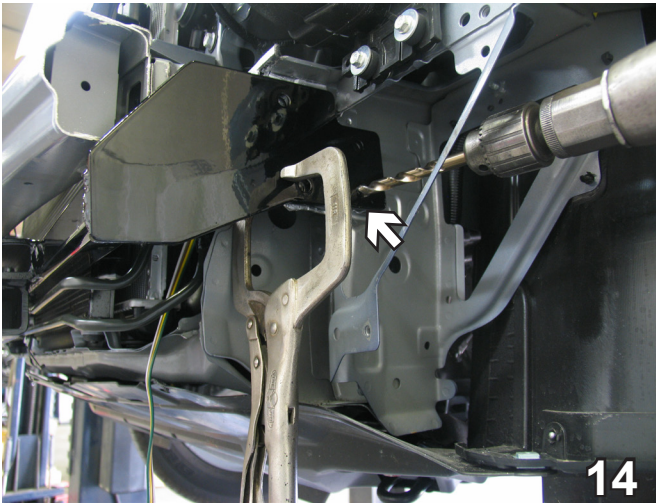


13. **2010 Model:** Remove one metric bolt from the back side of washer reservoir using the 10mm socket. Pull reservoir down and to the side to remove. Set bolts and reservoir aside to be reinstalled later.

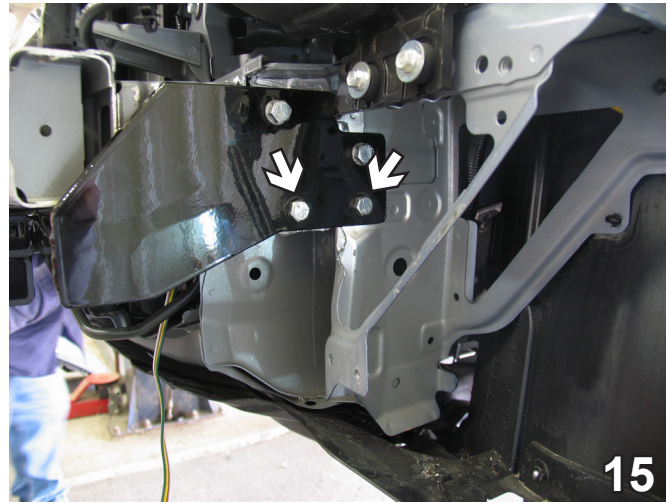
BX2246

2007-11 Honda CR-V

Installation Instructions



14. On side of frame rail, align baseplate to bottom of the flattened webbing and clamp in place with the vise grips. Using the baseplate as a template, drill four holes into the frame rail with the 13/32" drill bit. Insert two 3/8" nut plates through opening in frame rail end and align to top two holes. Install two 3/8-16 x 1 1/4" hex bolts and 3/8" lock washers to nut plates. Do not tighten. Install bumper. Now, tighten hex bolts. Do this to both sides of the vehicle.



15. In lower drilled holes of baseplate, install two 3/8-16 x 1" hex bolts, 3/8" lock washers and 3/8-16 hex nuts and tighten. Do this to both sides of the vehicle.

When using power drills be aware of the dangers of torque and drill bit length.

BE SURE TO USE LOCTITE® RED ON ALL BOLTS BEFORE TIGHTENING. TIGHTEN ALL BOLTS ACCORDING TO THE TORQUE CHART ON THE FRONT PAGE OF THESE INSTRUCTIONS OR ON PAGE 3 OF THE BASEPLATE TOWING GENERAL INSTRUCTIONS.

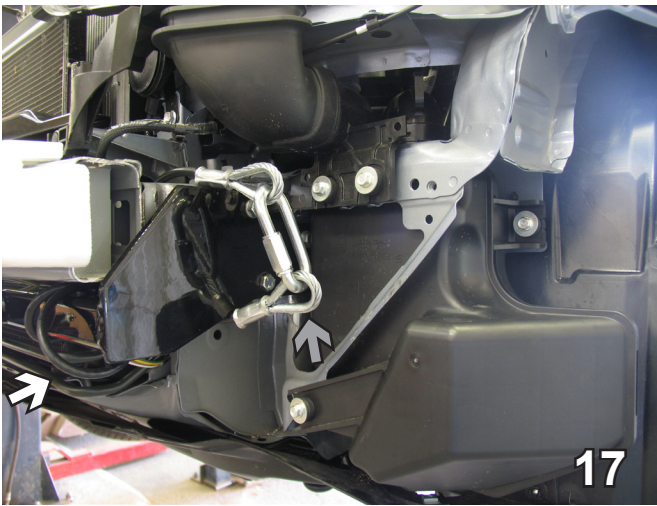


16. Relocate coolant line lower. Move bottom coolant line to just above original bolt hole for the bracket. Drill into the bracket using the 9/32" drill bit. Insert 10mm metric bolt into drilled hole and tighten.

BX2246

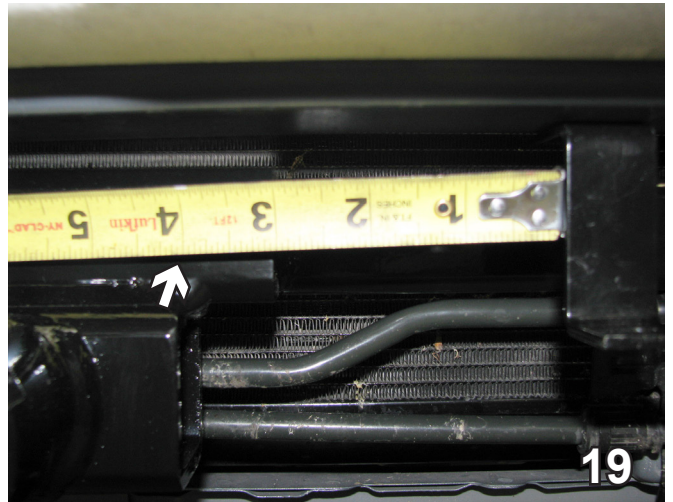
2007-11 Honda CR-V

Installation Instructions

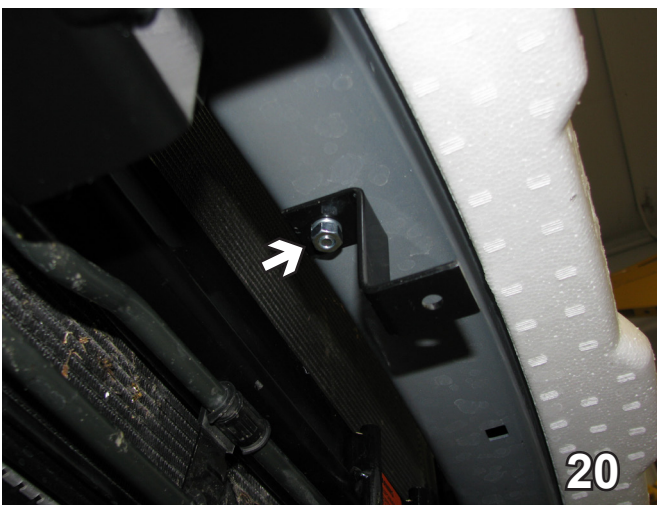


17. Attach the permanent baseplate safety cables to the provided convenience link on the baseplate (see grey arrow). The photo above shows the recommended installation of the cables to frame of vehicle (see white arrow). Additional options may interfere with suggested mounting; in this case secure the cables to a solid piece of the frame as described in the instructions included with the permanent baseplate safety cables. Be sure the safety cables do not rub against any hoses or moving parts. Do this to both sides of the vehicle.

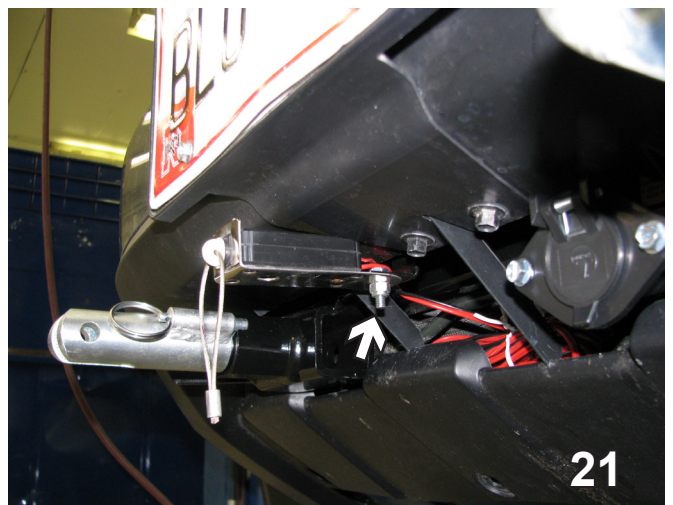
18. Reinstall washer reservoir, temperature sensor, air baffle, coolant line clips on passenger's, the coolant line clip on the driver's side and bolts.



19. Measure 4" from the receiver tube to location position for the breakaway bracket. Drill a hole into the bottom of the metal bumper with 9/32" drill bit.



20. Attach the breakaway bracket to the underside of the metal bumper with a 1/4"-20 x 3/4" bolt and 1/4"-20 nut.



21. Attach the breakaway (not supplied) to the bracket with 1/4"-20 x 3/4" bolt and 1/4"-20 nut.

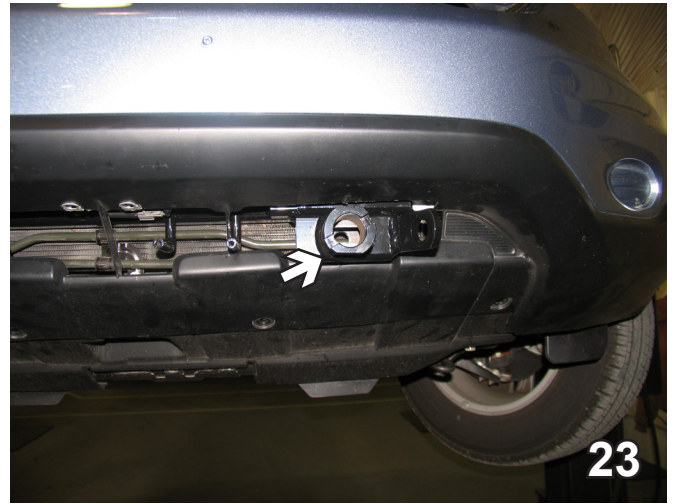
BX2246

2007-11 Honda CR-V

Installation Instructions



22. Align the fascia to its original position and, using the hack saw blade or utility knife, trim fascia contours to allow room for relocated coolant lines. Do this to both sides of the vehicle. Remove fascia.



23. **2010 Model:** Trim the two outside bars completely off so that the baseplate tabs can come through. Do this on both sides.

24. Reinstall the fascia.

Be sure that **ALL** electrical connections are plugged in properly and functioning **BEFORE** installing the fascia.

DEALER or INSTALLER:
Be certain the user receives the instruction sheets for their products.

If the baseplate is in an accident, it must be replaced. **DO NOT** use it again! An accident can cause unseen damage and using it again could result in more damage or serious injury. **DO NOT** use the baseplate if it is damaged or missing parts.

Install the tow bar and safety cables according to the instructions provided in their packages. When demonstrating this to the customer, be sure to include all the contents and packages.

Do **NOT** substitute other devices if the tow bar pins and clips are misplaced.

BX2246

2007-11 Honda CR-V Installation Instructions



Shown without removable tabs installed.



(2007) - Shown with removable tabs installed.



(2010) - Shown with removable tabs installed.

CUSTOMER SERVICE COMMITMENT

Blue Ox is committed to providing you with exceptional customer care throughout your lifetime with our products. Our team is here to assist you with any questions you may have regarding the performance of your product. Simply call (402) 385-3051 and you can speak with our customer care team.

Additionally, please visit our website to see which rallies our Destination America team will be attending. For a nominal fee, our service technician will service your towing system to ensure it's in proper working condition. Also, as a commitment to our customers, should you visit our factory, you can stay at our full service Blue Ox campground at no charge along with enjoying a factory tour.

Again, thank you for being our customer and for the confidence you have shown in the performance of our products. It is because of customers like you we enjoy the success we have today.



(2011) - Shown with removable tabs installed.

© 2011 Blue Ox
One Mill Road, Industrial Park
Pender, Nebraska 68047
Phone: (402) 385-3051
Fax: (402) 385-3360
www.blueox.com

General Information

1. Ensure that your product(s) are registered online at www.blueox.com. It is crucial to register your product(s) so that you may be alerted of product offerings, updates, upgrades, maintenance and safety bulletins, and/or recalls.
2. **It is the owner's responsibility to inspect all towing equipment for cracked welds, missing or worn parts and loose bolts before each towing trip.** Be sure to use Loctite® Red on all bolts and tighten to the recommended specifications.
3. **It is the owner's responsibility to hook up all towing equipment per manufacturer's instructions/recommendations.**
4. Remove the attachment tabs when not in use (if applicable).

Notice To Baseplate Installer

1. It is YOUR responsibility to watch for:

- Oil cooler and air conditioner lines
- Electrical wires and hoses
- Missing parts or attaching points on the frame

** If the baseplate is improperly installed and is against a wire or hose, it could cause fluid leaks or electrical shorts some time after the actual baseplate installation.

Permanent Baseplate Safety Cable Installation

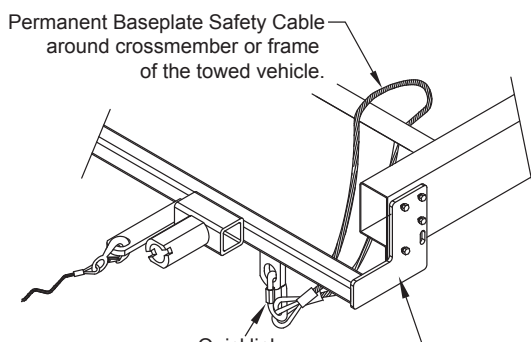
Permanent baseplate safety cables are strongly recommended when towing a vehicle with a tow bar. The principle function of the permanent baseplate safety cables is to prevent the towed vehicle from breaking loose in the event the connection between the frame of the towed vehicle and the baseplate fails or becomes disconnected. The cables must be connected from the baseplate to the frame rail or cross member of the vehicle's frame. The illustrations below show the possible arrangements recommended by Blue Ox®. Each permanent baseplate safety cable must have an adequate weight rating for the towing system. The weight rating of the two (2) cables together will not qualify.

Do not mount the permanent baseplate safety cables against wires, hoses or brake lines.

These permanent baseplate safety cables should remain installed as long as the baseplate is installed on the vehicle. Permanent baseplate safety cables are to be used in conjunction with, and NOT a replacement for legally required safety cables attaching the towed vehicle to the towing vehicle.

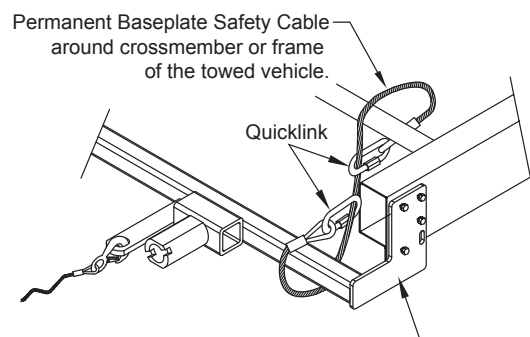
Option #1

(Baseplates with Convenience Link Tabs)



Option #2

(Baseplates with out Convenience Link Tabs)



BLUE OX ORIGINAL PURCHASERS THREE YEAR LIMITED WARRANTY

Automatic Equipment Manufacturing Company ("Automatic") warrants to the original (first) retail purchaser that this product, manufactured by Automatic, shall be free from defect in material and workmanship under normal use and service for a period of three years from the date of delivery.

During said three-year period, Automatic will repair or replace any parts that have been returned by the original purchaser, to the factory, transportation prepaid, and in Automatic's sole and absolute opinion found to be defective.

Limitations on Warranty Coverage:

Coverage under this warranty will be valid only if the customer warranty card is returned by the original purchaser within 30 days of purchase.

Coverage under this warranty will be effective only when a copy of the original invoice, showing date and place of purchase, accompanies any claim for warranty. This warranty is NON TRANSFERABLE.

This limited warranty will not cover, in any way or form, any alleged damages caused by incorrect or improper installation, improper use, modification or neglect of product, failure to properly service and maintain, misuse, act of God, accident or failure of the user to follow guidelines contained in the instructional material provided by Automatic.

This warranty does not cover normal wear and tear, paint or rust.

Warrantor assumes no responsibility to the owner for loss of use of product, loss of time, inconvenience or any other damage consequential or otherwise. Including, but not limited to mileage, expense of transporting of product, return shipping expense, mechanics travel time, telephone, road service, towing, and rental during repairs, travel, lodging, loss or damage to personal property or loss of earnings.

REPAIR OR REPLACEMENT AS SET FORTH IN THIS LIMITED WARRANTY IS THE SOLE EXCLUSIVE REMEDY OF THE PURCHASER. AUTOMATIC SHALL NOT BE LIABLE FOR ANY INCIDENTAL OR CONSEQUENTIAL DAMAGES FOR BREACH OF ANY EXPRESS OR IMPLIED WARRANTY ON THIS PRODUCT. EXCEPT TO THE EXTENT PROHIBITED BY APPLICABLE LAW, ANY IMPLIED WARRANTY OF MERCHANTABILITY OR FITNESS FOR A PARTICULAR PURPOSE ON THIS PRODUCT IS LIMITED IN LENGTH TO THE DURATION OF THIS WARRANTY.

Please visit <http://blueox.com/warranty/> to register your warranty



BLUE OX