



BX2155

1999- 03 Ford F-150 XLT 2WD

(Include Crew/ Super Cab)

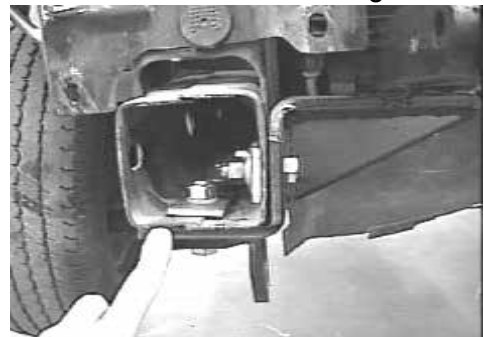
Installation Instructions

Serial Number



3. There may be a gap on the inside of the frame where the baseplates sits, this is fine. Clamp the baseplate to the frame and drill the bottom holes for each side. Use 1/2" hardware as shown in drawing on last page. **Be sure and use loctite on all bolts before tightening.**
4. Bolt the bumper back on the vehicle with one or two bolts only. If the attachment tabs interfere with the installation, by hitting the top of the grill opening, remove the baseplate and place one of the backing plates in between the bottom holes and the frame to lower the attachment tabs. See drawing on last page. Bolt the baseplate and backing plate with another backing plate on the inside of the frame for extra strength.

1. Remove the four metric bolts (on each side) from the back side of the bumper which hold it to the frame brackets.



2. Hold the baseplate up to the bottom of the frame positioning it so it is flush with the bottom of the frame.

5. Once the bottom holes are drilled, do the same for the side holes. Use hardware shown and tighten all bolts according to the chart in the General Instruction Sheet. **Be sure and use loctite on all bolts before tightening.** Replace the bumper and rock guard.

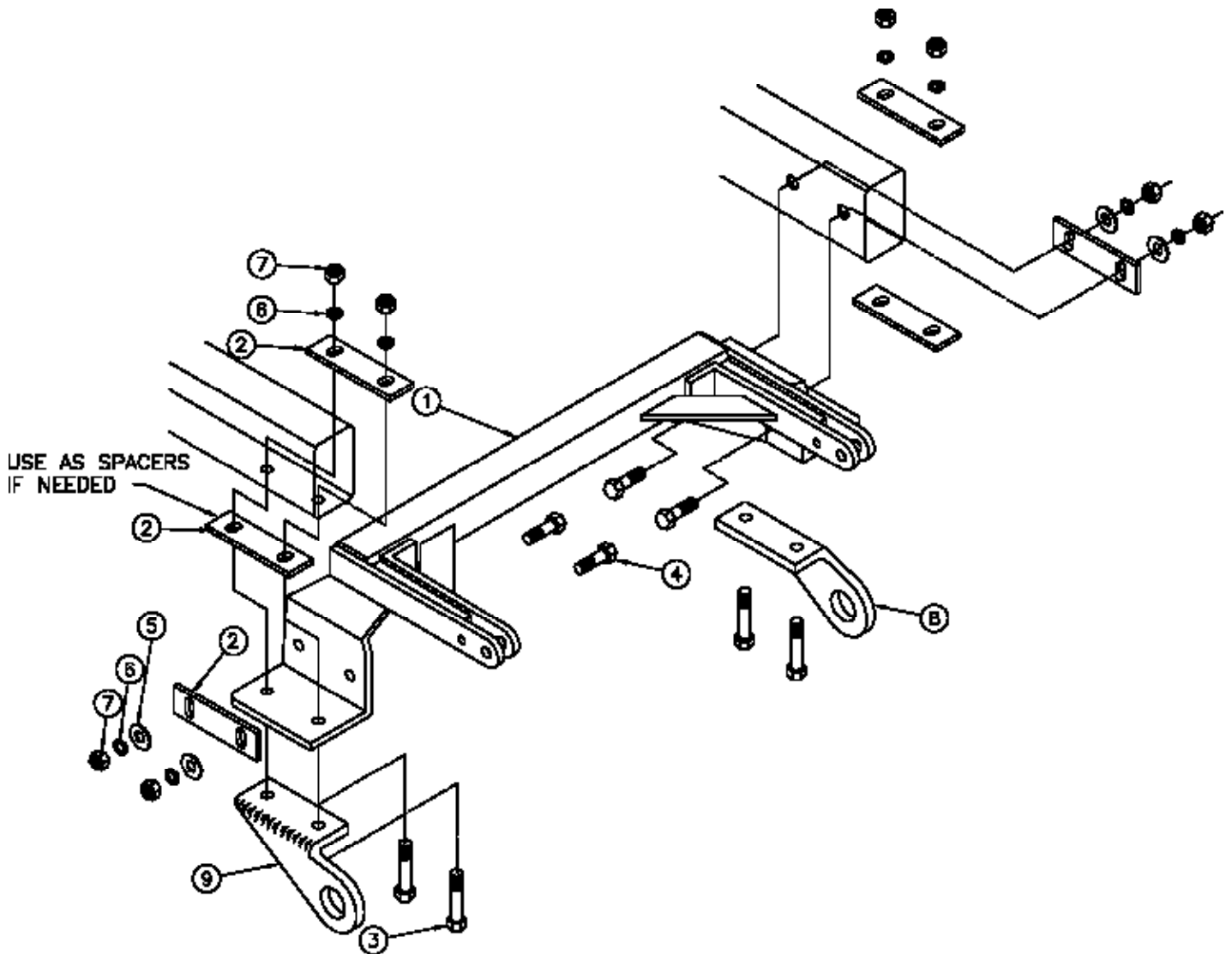
BX2155

1999- 03 Ford F-150 XLT 2WD

(Include Crew/ Super Cab) Installation Instructions

Parts List

Ref. No.	Qty.	Part No.	Description
1	1	61-5543	Weldment, Base Plate, BX2155
2	6	102-6024	Backing Plate, slotted
3	4	201-0153	1/2-13 x 1 1/2 Bolt Hex Grade 5, ZP
4	4	201-0051	1/2-13 x 2 1/2 Bolt Hex Grade 5, ZP
5	4	203-0005	1/2 Flat Washer, ZP
6	8	203-0012	1/2 Lock Washer, ZP
7	8	202-0005	1/2-13 Hex Nut, ZP
8	1	101-6058	Convenience Link, Class IV, Driver Side
9	1	101-6059	Convenience Link, Class IV, Passenger Side
	2	226-0049	Baseplate Safety Cable, 36" CL IV (Not Shown)
	4	229-0512	Quicklink, 1/2, ZP (Not Shown)



General Information

1. Ensure that your product(s) are registered online at www.blueox.com. It is crucial to register your product(s) so that you may be alerted of product offerings, updates, upgrades, maintenance and safety bulletins, and/or recalls.
2. **It is the owner's responsibility to inspect all towing equipment for cracked welds, missing or worn parts and loose bolts before each towing trip.** Be sure to use Loctite® Red on all bolts and tighten to the recommended specifications.
3. **It is the owner's responsibility to hook up all towing equipment per manufacturer's instructions/recommendations.**
4. Remove the attachment tabs when not in use (if applicable).

Notice To Baseplate Installer

1. It is YOUR responsibility to watch for:

- Oil cooler and air conditioner lines
- Electrical wires and hoses
- Missing parts or attaching points on the frame

** If the baseplate is improperly installed and is against a wire or hose, it could cause fluid leaks or electrical shorts some time after the actual baseplate installation.

Permanent Baseplate Safety Cable Installation

Permanent baseplate safety cables are strongly recommended when towing a vehicle with a tow bar. The principle function of the permanent baseplate safety cables is to prevent the towed vehicle from breaking loose in the event the connection between the frame of the towed vehicle and the baseplate fails or becomes disconnected. The cables must be connected from the baseplate to the frame rail or cross member of the vehicle's frame. The illustrations below show the possible arrangements recommended by Blue Ox®. Each permanent baseplate safety cable must have an adequate weight rating for the towing system. The weight rating of the two (2) cables together will not qualify.

Do not mount the permanent baseplate safety cables against wires, hoses or brake lines.

These permanent baseplate safety cables should remain installed as long as the baseplate is installed on the vehicle. Permanent baseplate safety cables are to be used in conjunction with, and NOT a replacement for legally required safety cables attaching the towed vehicle to the towing vehicle.

OPTION #1

Permanent Baseplate Safety Cables to Cross Member or Frame of Towed Vehicle.



OPTION #2

Permanent Baseplate Safety Cables to Cross Member or Frame of Towed Vehicle.

