



BX1989

2003-18 Dodge Ram 2500 2003-18 Dodge Ram 3500 Installation Instructions

Attachment Tab Height: 25-1/2"

Attachment Tab Width: 24"

Serial Number

Please read BOTH these Installation Instructions and the General Information sheet prior to installing or operating this equipment.

1. Blue Ox® towing products and accessories are intended to be installed by Blue Ox® Dealers who are familiar with our products and have the equipment and knowledge necessary to do "fit work". If needed, Blue Ox® Dealers can be found at www.blueox.com or by contacting our Technical Service Department at (402) 385-3051.
2. Many Blue Ox® baseplates are designed to use existing holes and hardware to mount the baseplate to the towed vehicle. Even though bolts are there, do not assume they are adequate for baseplate mounting. Always use the hardware supplied in the hardware kit and existing hardware as specified in the installation instructions.

Bolt Torque Specifications

Torque in Foot-Pounds for Inch Bolts

Bolt Size	Grade 5	Grade 8
1/4"	10	14
5/16"	19	29
3/8"	33	47
7/16"	54	78
1/2"	78	119
5/8"	154	230
3/4"	257	380



If the front of your vehicle looks different than this, please contact us at (402)385-3051.

Reference your vehicle owner's manual for manufacturer's towing specifications.

Bolt Torque Specifications

Torque in Foot-Pounds for Metric Bolts

Bolt Size	Grade 8.8	Grade 10.9
6MM	6	8
8MM	16	22
10MM	31	40
12MM	54	70
14MM	89	117
16MM	161	230
18MM	222	318



WARNING

Failure to read and follow these instructions could result in separation of the towed vehicle from the tow bar, causing property damage, loss of towed vehicle, personal injury or death.

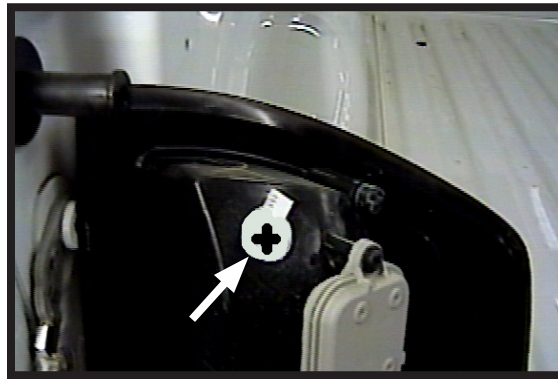
BX1989
2003-18 Dodge Ram 2500
2003-18 Dodge Ram 3500
Installation Instructions

Instruction Notes: The bumper is removed and reinstalled for the baseplate installation.

Place all components that are removed on a flat, sturdy surface. All items will be reinstalled unless otherwise noted after the baseplate is installed.

The dimensional variations between otherwise identical vehicles can be considerable. While the baseplate was designed for easy installation, it may be necessary to tailor the baseplate slightly to compensate for vehicle manufacturer's tolerances.

The BX8869 Tail Light Wiring Kit is recommended for Non-LED tail light models.
The BX8848 4-Diode Wiring Kit is recommended for models with LED tail lights.



Drill a hole according to the tail light wiring kit instructions.

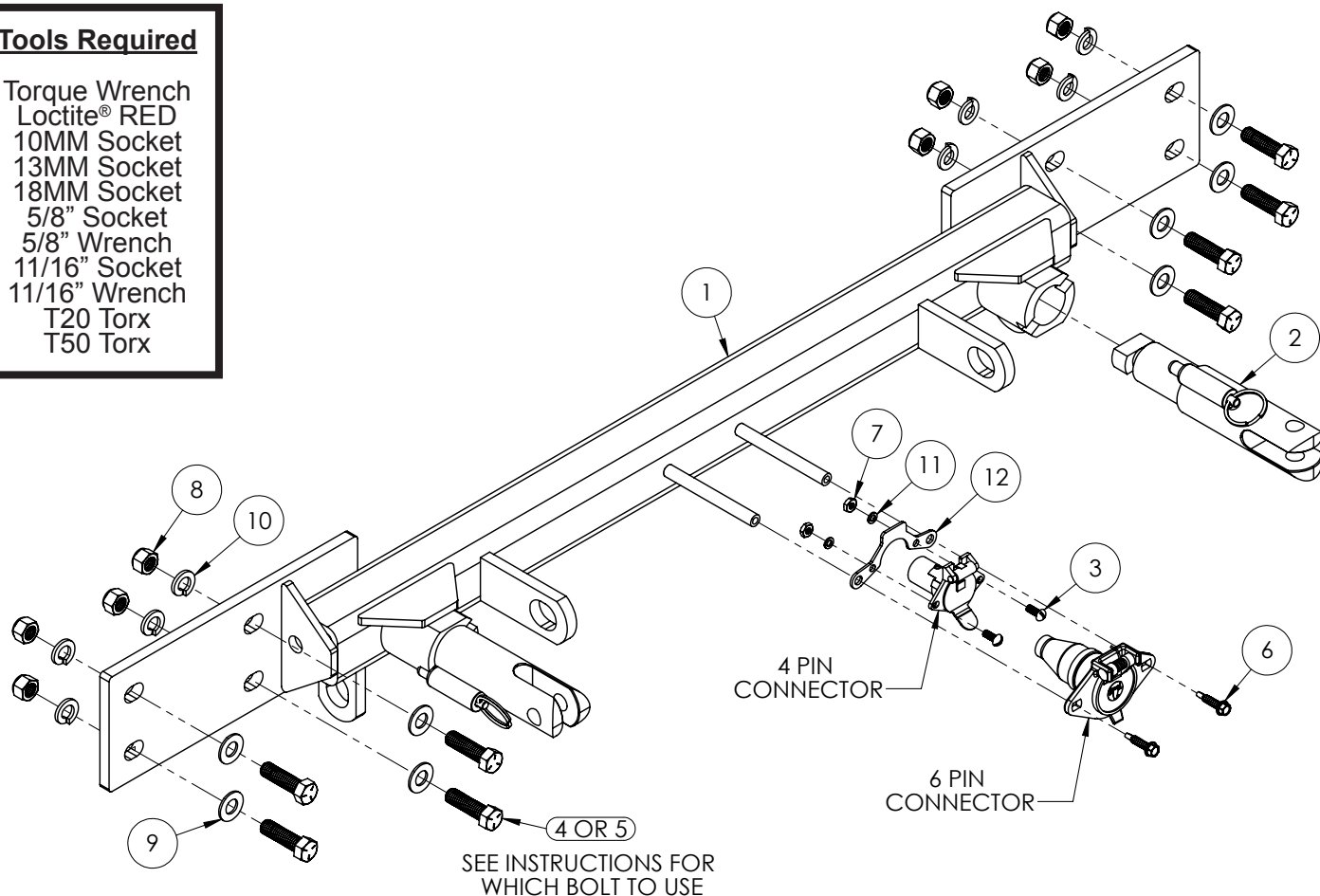
NOTICE

- Handling of some cosmetic parts when installing this product may require the use of protective covers, rags, specialty tools, etc. to prevent damage.
- When using power drills be aware of the dangers of torque and drill bit length.
- When using a reciprocating saw be aware of objects behind the cutting surface.
- Use a good quality paint to spray cut edges of frame to prevent rusting.
- Be sure that **ALL** electrical connections are plugged in and accessories are functioning properly before reinstalling the fascia.
- The baseplate is computer tested to your vehicle's GVWR, exceeding this weight will void the manufacturer's warranty.
- Be sure to use a sufficient amount of Loctite® Red on all bolt threads before tightening. Tighten all bolts according to the torque chart provided.
- Dealer or installer be certain the user receives these instruction sheets.
- If the baseplate is in an accident, it must be replaced. **DO NOT** use it again! An accident can cause unseen damage and using it again could result in more damage or serious injury. **DO NOT** use the baseplate if it is damaged or missing parts.

BX1989
2003-18 Dodge Ram 2500
2003-18 Dodge Ram 3500
Installation Instructions

Tools Required

Torque Wrench
Loctite® RED
10MM Socket
13MM Socket
18MM Socket
5/8" Socket
5/8" Wrench
11/16" Socket
11/16" Wrench
T20 Torx
T50 Torx

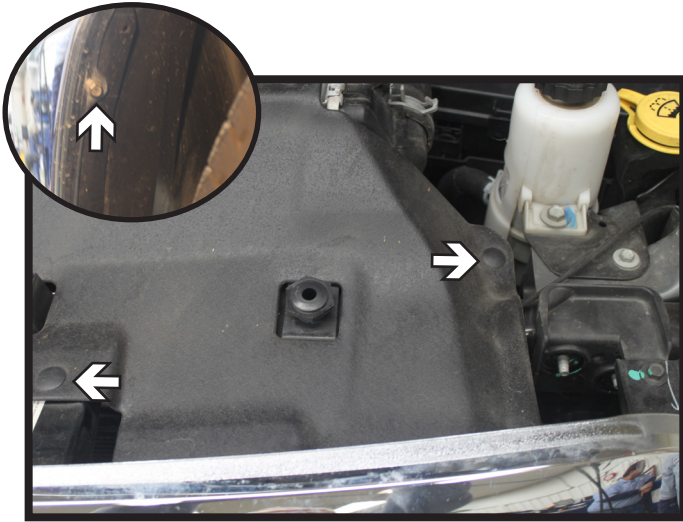


Item No.	Part No.	Description	Qty.
1	61-6720	BX1989 Baseplate	1
2	62-3468	Attachment Tab Assembly with Hole	2
3	201-0192	#10-32 1/2" Round Slotted Head Screw	2
4	201-0416	7/16"-14 x 1-1/2" Hex Head Bolt	8
5	201-0552	7/16"-14 x 2" Hex Head Bolt	8
6	201-0979	#12-14 x 1" Self Drilling Screw, ZP	2
7	202-0047	#10-32 Hex Nut	2
8	202-0128	7/16"-14 Nylon Insert Lock Nut, ZP	8
9	203-0004	7/16" Flat Washer, ZP	8
10	203-0011	7/16" Lock Washer, ZP	8
11	203-0054	#10 Lock Washer, ZP	2
12	299-0685	Electrical Bracket, ZP	1
13	226-0049(not shown)	Class IV Safety Cables	2
14	229-0512(not shown)	1/2" Quicklink, ZP	2
15	290-0437(not shown)	Black Cap Plug Receiver	2

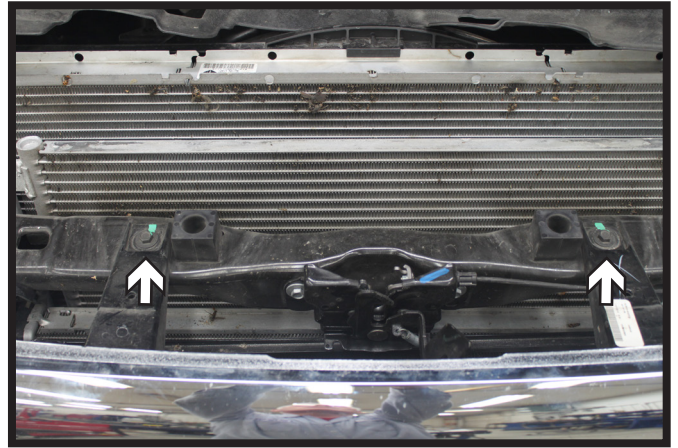
Important:

Use only genuine factory replacement parts on your baseplate. Do **NOT** substitute homemade or non-typical parts. If a bolt is lost or in need of replacement, for your safety and the preservation of your baseplate, be sure to use a replacement bolt of the same grade (In most cases it will be Grade 5, please reference the parts list above). Replacement parts may be ordered through your nearest Blue Ox® Dealer or Distributor. Failing to follow and/or altering these installation instructions in either installation or required equipment will void the manufacturer's warranty. Towing behind a non-motorized vehicle will void the warranty.

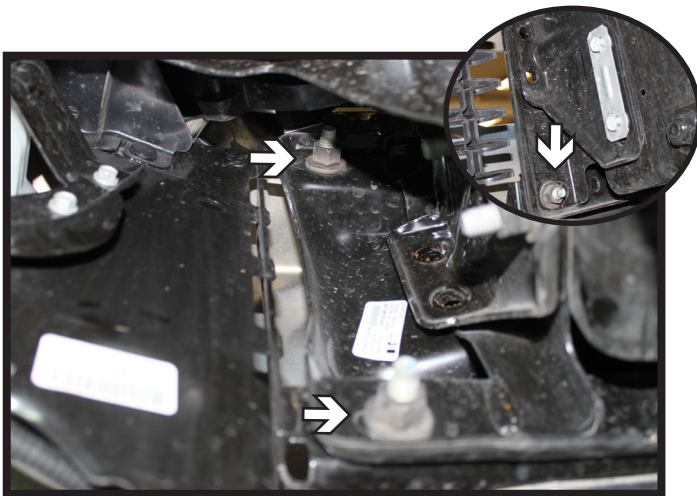
BX1989
2003-18 Dodge Ram 2500
2003-18 Dodge Ram 3500
Installation Instructions



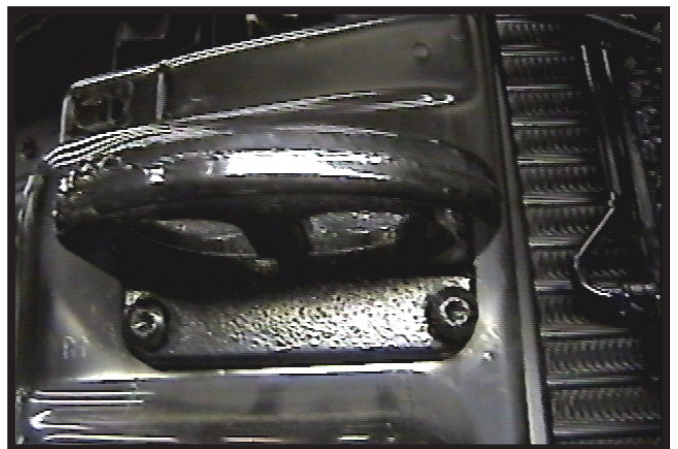
1. **2010-13 Models:** Remove the two (2) pins from the radiator cover. Do this on both sides of the vehicle. Set the cover aside.
In the wheel well, using a 10MM socket, remove the screw from the backside of the bumper (inset). Do this on both sides of the vehicle.



2. **2010-13 Models:** Using a 10MM socket, remove the four (4) bolts from the top of the grille. There are two (2) in the middle and one (1) in each corner. Unsnap the lower section of the grille and set aside.

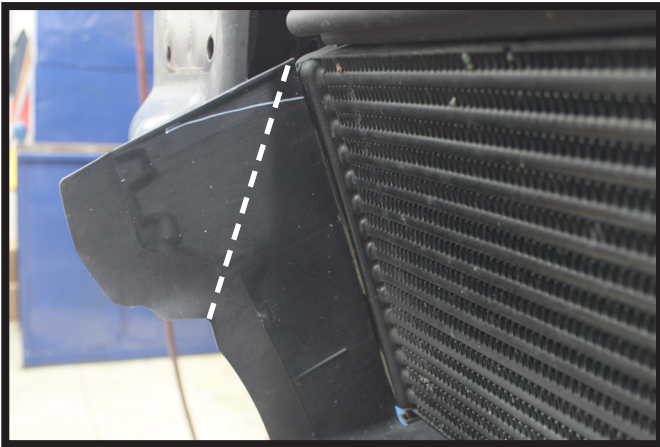


3. Using a 18MM socket, remove the nuts from the backside of the bumper. Do this on both sides of the vehicle. Remove the bumper and set aside.

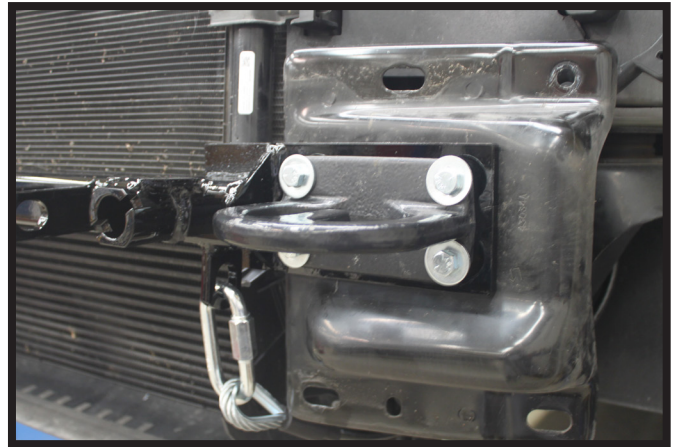


4. Remove the four (4) bolts from the tow hook, using a 50 Torx and/or a 18MM socket. Do this on both sides of the vehicle.

BX1989
2003-18 Dodge Ram 2500
2003-18 Dodge Ram 3500
Installation Instructions

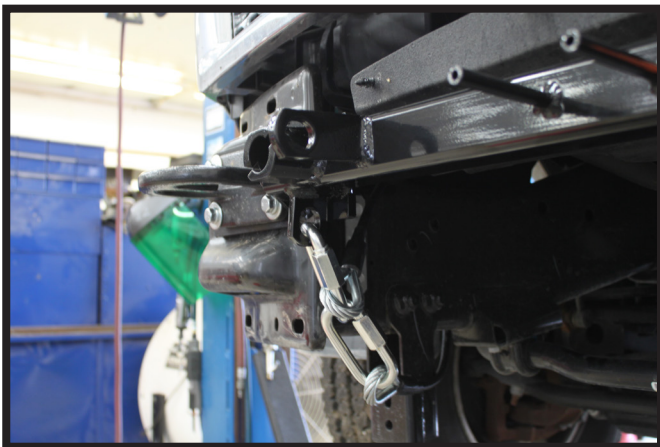


5. **2013 Models:** Trim the lower radiator shroud as shown for D-Link clearance on the baseplate. Do this on both sides of the vehicle.



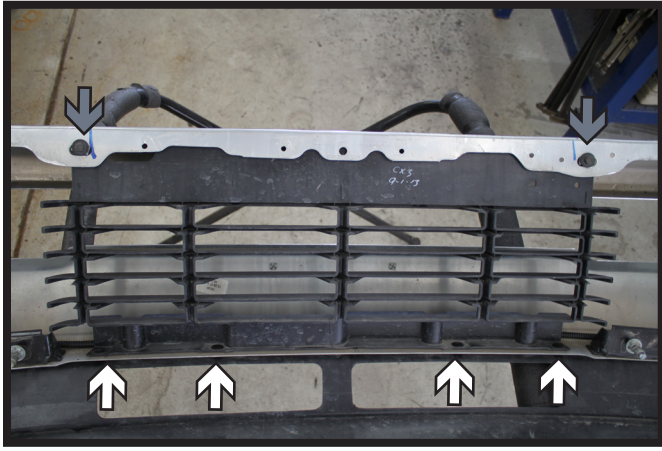
6. Install the baseplate and tow hooks into the tow hook holes with 7/16"-14 x 2" bolts with 7/16" lock washers and lock nuts.

Note: If no tow hooks are equipped or if not being reinstalled, use the 7/16"-14 x 1-1/2" bolts in lieu of the 7/16"-14 x 2" bolts.



7. Attach the permanent baseplate safety cables to the provided convenience link on the baseplate. The photo above shows the recommended installation of the cables to frame of vehicle. Additional options may interfere with suggested mounting; in this case, secure the cables to a solid piece of the frame as described in the instructions included with the permanent baseplate safety cables. Be sure the safety cables do not rub against any hoses or moving parts. Do this on **BOTH** sides of the vehicle.

BX1989
2003-18 Dodge Ram 2500
2003-18 Dodge Ram 3500
Installation Instructions



8. **2013 Models:** Using a 10MM socket, remove the two (2) screws from the top edge of the bumper (gray). Then remove the four (4) push pins from the bottom edge (white). Remove the plastic insert. Reinstall the bumper and grille to the vehicle.

All other Models: Reinstall the bumper.

CUSTOMER SERVICE COMMITMENT

Blue Ox® is committed to providing you with exceptional customer care throughout your lifetime with our products. Our team is here to assist you with any questions you may have regarding the performance of your product. Simply call (402) 385-3051 and you can speak with our technical service team.

Additionally, please visit our website to see which rallies our Destination America team will be attending. For a nominal fee, our service technician will service your towing system to ensure it's in proper working condition. Also, as a commitment to our customers, should you visit our factory, you can stay at our full service Blue Ox® campground at no charge along with enjoying a factory tour.

Again, thank you for being our customer and for the confidence you have shown in the performance of our products. It is because of customers like you we enjoy the success we have today.

© 2015 Blue Ox
One Mill Road, Industrial Park
Pender, Nebraska 68047
Phone: (402) 385-3051
Fax: (402) 385-3360
www.blueox.com

General Information

1. Ensure that your product(s) are registered online at www.blueox.com. It is crucial to register your product(s) so that you may be alerted of product offerings, updates, upgrades, maintenance and safety bulletins, and/or recalls.
2. **It is the owner's responsibility to inspect all towing equipment for cracked welds, missing or worn parts and loose bolts before each towing trip.** Be sure to use Loctite® Red on all bolts and tighten to the recommended specifications.
3. **It is the owner's responsibility to hook up all towing equipment per manufacturer's instructions/recommendations.**
4. Remove the attachment tabs when not in use (if applicable).

Notice To Baseplate Installer

1. It is YOUR responsibility to watch for:

- Oil cooler and air conditioner lines
- Electrical wires and hoses
- Missing parts or attaching points on the frame

** If the baseplate is improperly installed and is against a wire or hose, it could cause fluid leaks or electrical shorts some time after the actual baseplate installation.

Permanent Baseplate Safety Cable Installation

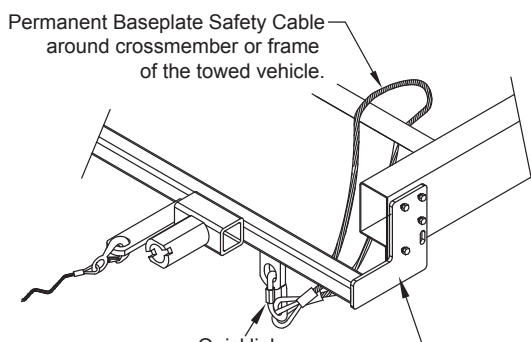
Permanent baseplate safety cables are strongly recommended when towing a vehicle with a tow bar. The principle function of the permanent baseplate safety cables is to prevent the towed vehicle from breaking loose in the event the connection between the frame of the towed vehicle and the baseplate fails or becomes disconnected. The cables must be connected from the baseplate to the frame rail or cross member of the vehicle's frame. The illustrations below show the possible arrangements recommended by Blue Ox®. Each permanent baseplate safety cable must have an adequate weight rating for the towing system. The weight rating of the two (2) cables together will not qualify.

Do not mount the permanent baseplate safety cables against wires, hoses or brake lines.

These permanent baseplate safety cables should remain installed as long as the baseplate is installed on the vehicle. Permanent baseplate safety cables are to be used in conjunction with, and NOT a replacement for legally required safety cables attaching the towed vehicle to the towing vehicle.

Option #1

(Baseplates with Convenience Link Tabs)



Option #2

(Baseplates with out Convenience Link Tabs)

