



Strong As An Ox™

BX1948 Installation Instructions 2002-04 Dodge Ram 1500

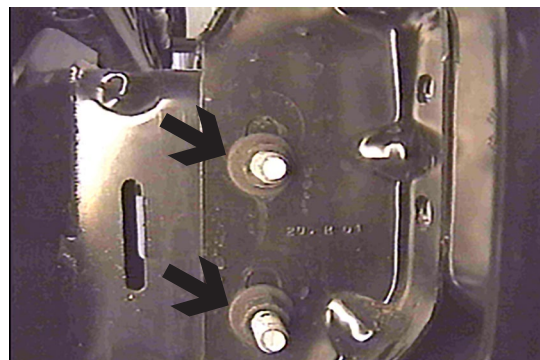
Serial No.

The front metal bumper is removed for baseplate installation. Holes need to be drilled. The BX8869 is available for the base plate. Attachment tabs are 24 inches center to center and a height of 24 inches.



1. Using the 18MM socket, remove the four metric bolts from the back side of front bumper. Pull front metal bumper forward and set aside.

3. Align the two lower holes on the baseplate to the existing lower holes on bumper bracket according to drawing on last page. Insert item 3 and tighten items 5 and 6 to back side of bracket, both sides. The upper existing hole on the bumper bracket will need to be reamed out and the top inside hole on the baseplate will need to be drilled with the 17/32" drill bit. Install items 3, 5, and 6 into these holes and tighten. **Be sure and use loctite on all bolts before tightening.**



2. Mark both brackets height on frame. Remove the two metric nuts and bolts from the frame ends with the 18MM socket, both sides. Replace with items 2, 4, 5, and 6, according to drawing on last page and tighten. **Be sure and use loctite on all bolts before tightening.**



4. The plastic insert in the middle of the metal bumper will need to be removed for proper fit or plastic can be trimmed. Reinstall metal bumper using existing nuts.
5. The dimensional variations between otherwise identical cars can be considerable. While the location and size of the holes in the baseplate were designed to allow for easy installation, it may be necessary to file a hole slightly to allow a bolt to clear.
6. Install the tow bar and safety cables according to the instructions included in their packages.
7. Do **not** substitute other devices if the tow bar pin and clip are lost.
8. **DEALER OR INSTALLER: BE CERTAIN THE USER RECEIVES THE INSTRUCTION SHEET.**



Strong As An Ox™

Tools Required

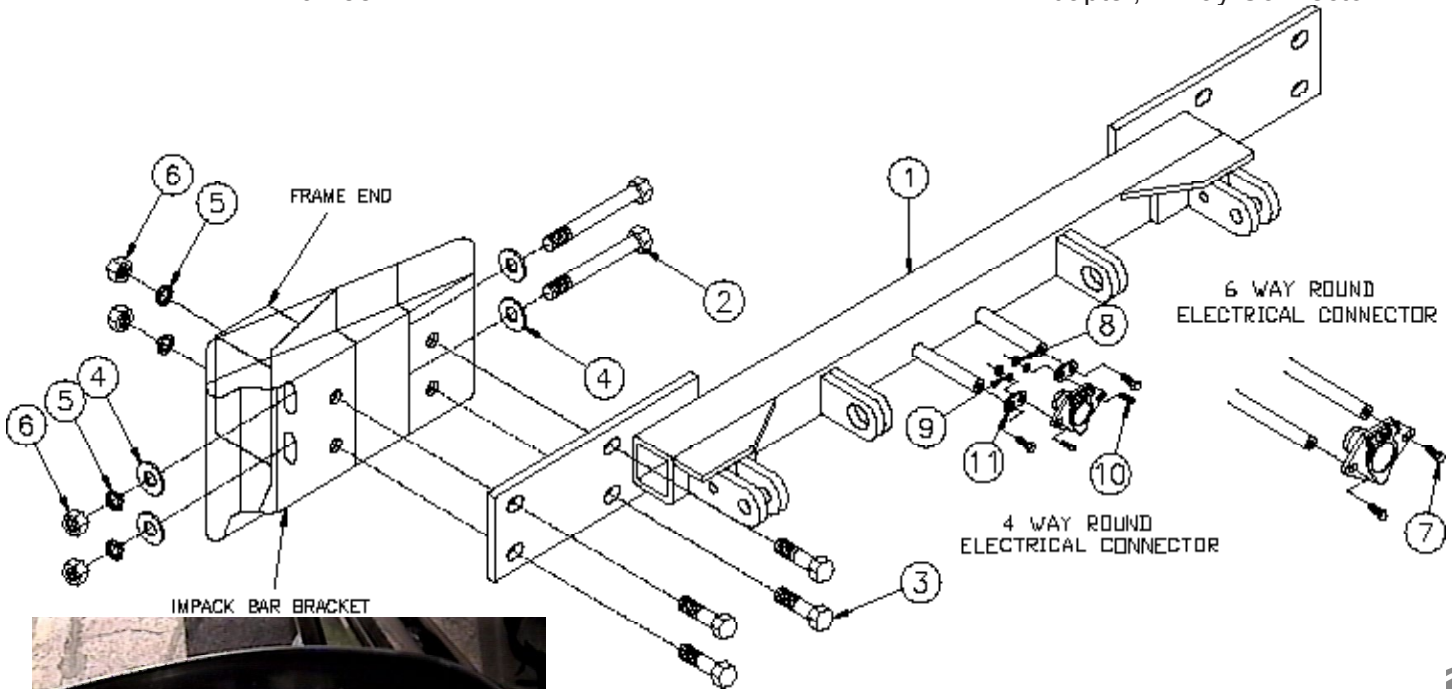
18MM Socket
3/4" Socket

Loctite Blue
Vise Grips

17/32" Drill Bit

Parts List

Ref. No.	Qty.	Part No.	Description
1	1	61-5695	Weldment, Base Plate, BX1948
2	4	201-0581	1/2-13 x 4 Hex Bolt, Grd. 5, ZP
3	8	201-0011	1/2-13 x 1 1/4 Hex Bolt, Grd. 5, ZP
4	8	203-0005	1/2 Flat Washer, ZP
5	12	203-0012	1/2 Lock Washer, ZP
6	12	202-0005	1/2-13 Hex Nut, ZP
7	2	201-0979	#12-14 x 1" Self Drilling Screw, ZP
8	2	202-0047	#10-32 Hex Nut
9	2	203-0054	#10 Lock Washer
10	2	201-0192	#10-32 x 1/2 Slot, Rd. Hd. Screw
11	2	101-5822	Adapter, 4 Way Connector



*Location for the BX8869,
view of driver's side tail
light assembly.*

IMPORTANT: Use only genuine factory replacement parts on your Base Plate. Do not substitute homemade or nontypical parts. If a bolt is lost or in need of replacement, for your safety and the preservation of your Base Plate, be sure to use a replacement bolt of the same grade (Usually Grade 5, refer to parts list). Repair parts may be ordered through your nearest **Blue Ox** dealer or distributor.

General Information

1. Ensure that your product(s) are registered online at www.blueox.com. It is crucial to register your product(s) so that you may be alerted of product offerings, updates, upgrades, maintenance and safety bulletins, and/or recalls.
2. **It is the owner's responsibility to inspect all towing equipment for cracked welds, missing or worn parts and loose bolts before each towing trip.** Be sure to use Loctite® Red on all bolts and tighten to the recommended specifications.
3. **It is the owner's responsibility to hook up all towing equipment per manufacturer's instructions/recommendations.**
4. Remove the attachment tabs when not in use (if applicable).

Notice To Baseplate Installer

1. It is YOUR responsibility to watch for:

- Oil cooler and air conditioner lines
- Electrical wires and hoses
- Missing parts or attaching points on the frame

** If the baseplate is improperly installed and is against a wire or hose, it could cause fluid leaks or electrical shorts some time after the actual baseplate installation.

Permanent Baseplate Safety Cable Installation

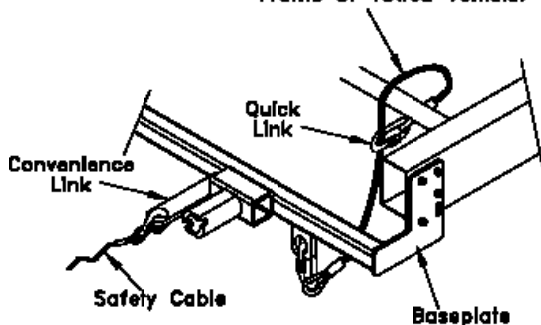
Permanent baseplate safety cables are strongly recommended when towing a vehicle with a tow bar. The principle function of the permanent baseplate safety cables is to prevent the towed vehicle from breaking loose in the event the connection between the frame of the towed vehicle and the baseplate fails or becomes disconnected. The cables must be connected from the baseplate to the frame rail or cross member of the vehicle's frame. The illustrations below show the possible arrangements recommended by Blue Ox®. Each permanent baseplate safety cable must have an adequate weight rating for the towing system. The weight rating of the two (2) cables together will not qualify.

Do not mount the permanent baseplate safety cables against wires, hoses or brake lines.

These permanent baseplate safety cables should remain installed as long as the baseplate is installed on the vehicle. Permanent baseplate safety cables are to be used in conjunction with, and NOT a replacement for legally required safety cables attaching the towed vehicle to the towing vehicle.

OPTION #1

Permanent Baseplate Safety Cables to Cross Member or Frame of Towed Vehicle.



OPTION #2

Permanent Baseplate Safety Cables to Cross Member or Frame of Towed Vehicle.

