



**BX1823 Installation Instructions
1999 Nissan Infinity G20**

Serial Number

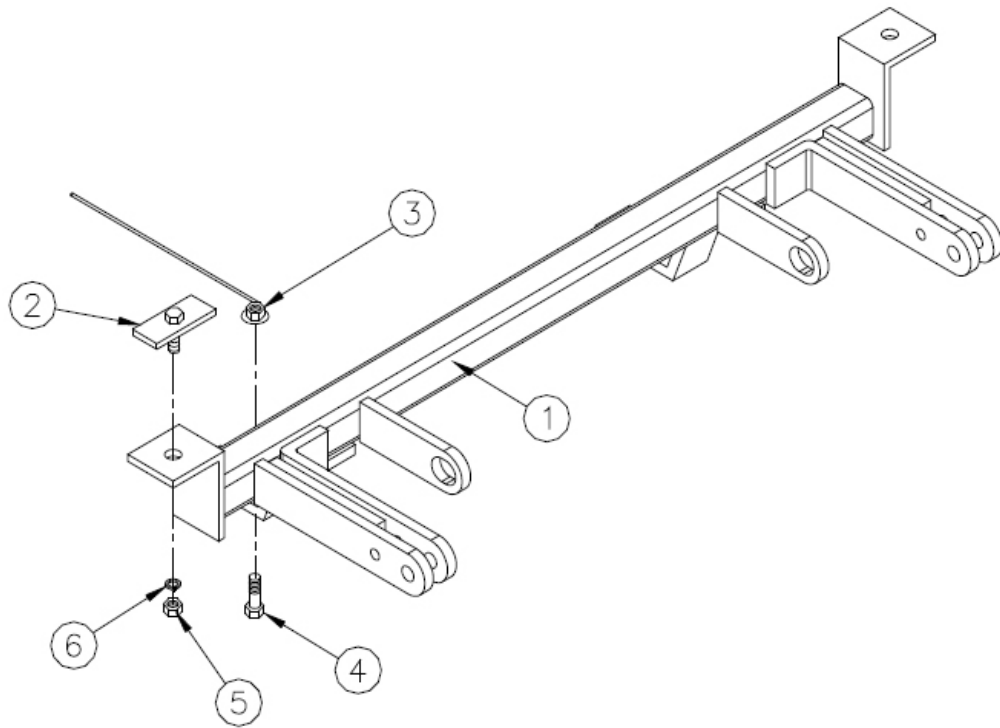
The baseplate mounts to the metal bumper and to the lower cross frame of the vehicle. Six holes need to be drilled for installation. The lower rock guard plastic is trimmed and a coolant line bracket is removed and the coolant line is mounted to bracket hole. The attachment tabs will extend through the grill opening approximately four inches.

1. Remove the four outside bottom Phillips screws connecting the plastic bumper facia to the fender well molding. Reach inside the plastic molding and remove the 10mm bolt connecting the fenders and the bumper facia.
2. Remove the bottom 10mm Hex head bolts from the lower middle section. This piece holds the plastic brace extending back from the bumper molding.
3. Notice the plastic rock guard between the two braces just mentioned. Remove the plastic push rivet and the Hex head bolt.
4. Open the hood and remove the plastic push rivets from the top bumper facia. The plastic facia can now be removed from the car. Remove the styrofoam piece from the front of the metal bumper.
5. Notice the coolant line extending from the passenger side of the vehicle. There is a bracket connecting it to the frame in the middle of the vehicle just in front of the radiator. Remove the bracket from the coolant line and the car. Use the 1/4 x 1 slotted Truss bolt and 1/4" whiz nut and bolt the coolant line to existing hole from the brace.
6. Hold the baseplate up to the bottom of the metal bumper and center it so the back braces are flush with the back of the metal bumper. Be sure the middle braces align to the lower cross frame so that when drilling holes the bolts will go into the hollow of the frame.
7. Mark a hole for one of the outside braces and drill a 1/2" hole. Insert the 1/2" bolt plate with wire through front holes of the metal bumper and bolt the baseplate to the frame. Next hold baseplate in centered position and drill the other outside brace holes. Use similar hardware to fasten baseplate to the bumper.

NOTE: USE LOCTITE ON ALL BOLT

8. Next hold the lower braces of baseplate to the lower cross frame. Mark and drill 3/8" holes for these braces. Notice the small holes on the face of the cross frame just drilled. Drill these holes out to 3/4". Insert the 3/8' wire whiz nut and using the 3/8 x 1 1/4 Hex head bolts fasten the lower braces to the cross frame of the vehicle. Torque and tighten all bolts according to the chart in the General Instruction Sheet.
9. Replace the bumper molding. When fastening the rock guard it is necessary to trim around the lower braces.
10. Install the tow bar and safety cables according to the instructions included in their packages. Do not substitute other devices if the tow bar pin and clip are lost.
11. **DEALER OR INSTALLER: BE CERTAIN THE USER RECEIVES THE INSTRUCTION SHEET.**

Automatic



Tools Required

Utility Knife	Loctite
3/4" Wrench	3/8" Drill Bit
1/2" Drill Bit	10mm Wrench
9/16" Wrench	Phillips ScrewDriver

Parts List

Ref. No.	Qty.	Part No.	Description
1.	1	61-5357	Baseplate, BX1823
2.	2	61-5358	1/2" Bolt Plate
3.	2	61-4978	03/8" Whiz Nut with Wire
4.	2	201-0368	3/8-16 x 1 1/4 Hex Bolt
5.	2	202-0005	1/2"-13 Hex Nut, ZP
6.	2	203-0012	1/2" Lock Washer
7.	1	201-0111	1/4"x 3/4" Truss Screw
8.	1	202-0069	1/4" Hex Whiz Nut, ZP



General Information

1. Ensure that your product(s) are registered online at www.blueox.com. It is crucial to register your product(s) so that you may be alerted of product offerings, updates, upgrades, maintenance and safety bulletins, and/or recalls.
2. **It is the owner's responsibility to inspect all towing equipment for cracked welds, missing or worn parts and loose bolts before each towing trip.** Be sure to use Loctite® Red on all bolts and tighten to the recommended specifications.
3. **It is the owner's responsibility to hook up all towing equipment per manufacturer's instructions/recommendations.**
4. Remove the attachment tabs when not in use (if applicable).

Notice To Baseplate Installer

1. It is YOUR responsibility to watch for:

- Oil cooler and air conditioner lines
- Electrical wires and hoses
- Missing parts or attaching points on the frame

** If the baseplate is improperly installed and is against a wire or hose, it could cause fluid leaks or electrical shorts some time after the actual baseplate installation.

Permanent Baseplate Safety Cable Installation

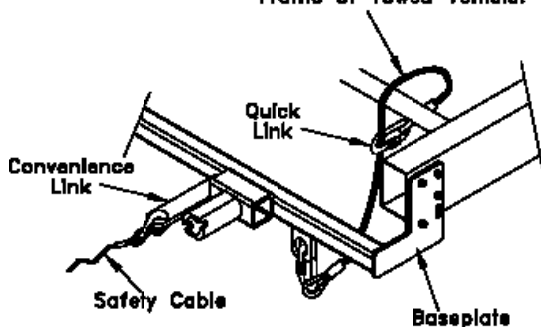
Permanent baseplate safety cables are strongly recommended when towing a vehicle with a tow bar. The principle function of the permanent baseplate safety cables is to prevent the towed vehicle from breaking loose in the event the connection between the frame of the towed vehicle and the baseplate fails or becomes disconnected. The cables must be connected from the baseplate to the frame rail or cross member of the vehicle's frame. The illustrations below show the possible arrangements recommended by Blue Ox®. Each permanent baseplate safety cable must have an adequate weight rating for the towing system. The weight rating of the two (2) cables together will not qualify.

Do not mount the permanent baseplate safety cables against wires, hoses or brake lines.

These permanent baseplate safety cables should remain installed as long as the baseplate is installed on the vehicle. Permanent baseplate safety cables are to be used in conjunction with, and NOT a replacement for legally required safety cables attaching the towed vehicle to the towing vehicle.

OPTION #1

Permanent Baseplate Safety Cables to Cross Member or Frame of Towed Vehicle.



OPTION #2

Permanent Baseplate Safety Cables to Cross Member or Frame of Towed Vehicle.

