



BX1822 Installation Instructions 1999 Nissan Sentra

The plastic bumper needs to be removed. Attachment tabs will extend through the bottom grill section.

1. Open the hood. Remove the center grill molding by squeezing the ends of the buttons that stick out of the back of the grill molding. Gently pull the grill molding off.
2. Remove the phillip screws holding the bumper molding located under the grill molding that was just removed. Remove the screws from the front area of the wheel well molding. Pull the black plastic back and notice the bolt on each side on the top corner of the bumper molding. Remove the two 10mm bolts on the under side of the bumper molding. Gently pull the bumper off.
3. Remove the the three 14mm bolts that hold each tie down bracket.
4. Remove the 12mm bolt holding the bumper plastic for the tie down bracket.
5. Hold the baseplate up to the existing holes in the frame. Use the existing bolts used from the tie down bracket and tighten bolts. Use the bolts from the bolt bag in place of the ones removed in step 4. Use Loctite to ensure that the bolts do not loosen while the car is being towed. Tighten all bolts according to the Torque Guide Chart in the General Instruction Sheet.
6. Replace bumper molding and Grill.
7. Install the tow bar and safety cables according to the instructions included in their packages. Do not substitute other devices if the tow bar pin and clip are lost.
7. DEALER OR INSTALLER: BE CERTAIN THE USER RECEIVES THE INSTRUCTION SHEET.



Automatic

Tools Required

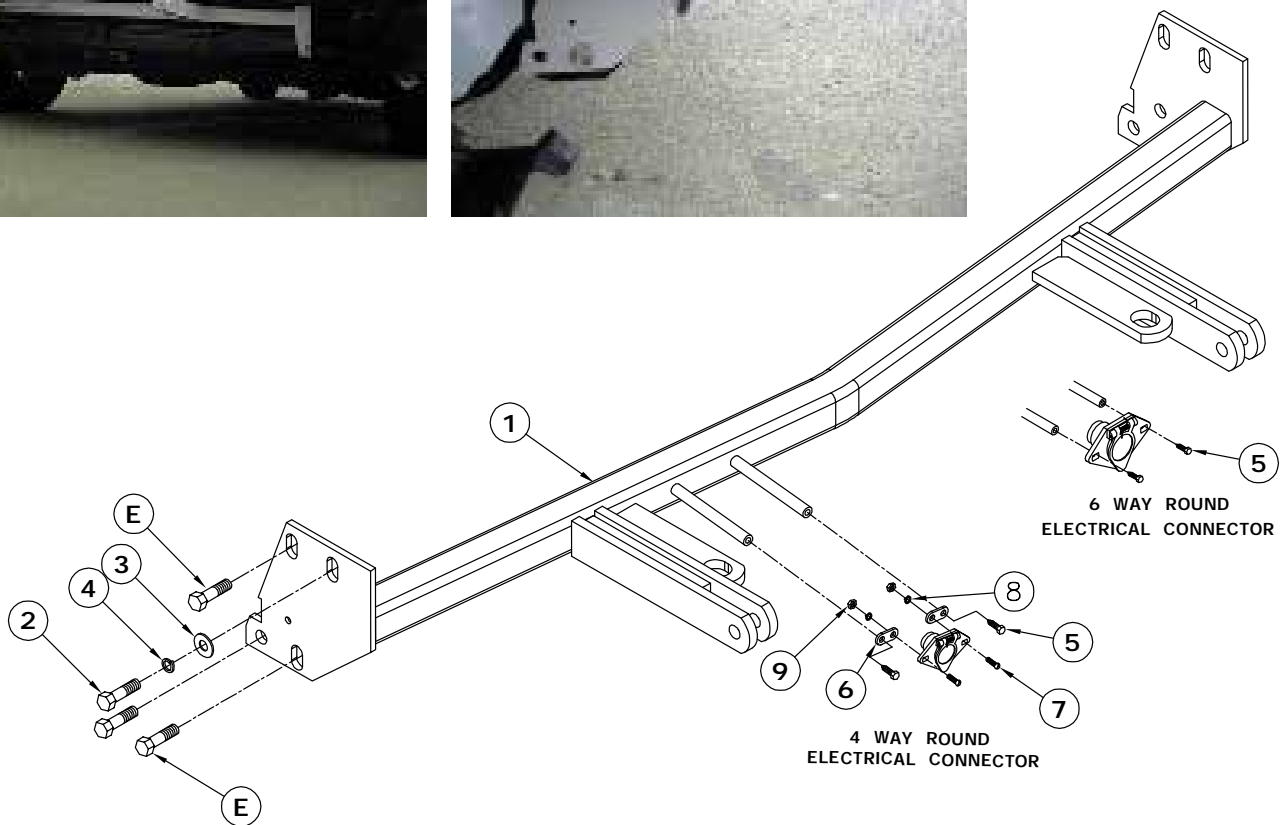
12mm Wrench
14mm Wrench

10mm Wrench
8mm Wrench

Phillips Screwdriver
Loctite

Parts List

Ref.No.	Qty.	PartNo.	Description
1	1	61-5311	WELDMENT, BX1822
2	2	201-0587	8MM-1.25 X 25MM HH BOLT, GRD 8.8
3	2	203-0002	5/16 FLAT WASHER, ZP
4	2	203-0102	8MM LOCK WASHER, ZP
5	2	201-0979	#12-14 X 1" Self Drilling Screw, ZP
6	2	101-5822	ADAPTER, 4 WAY CONNECTOR
7	2	201-0192	10-32 X 1/2 SLOT, RD. HD. SCREW
8	2	202-0047	#10-32 HEX NUT
9	2	203-0054	#10 LOCK WASHER
E			EXISTING BOLTS
	2	226-0046	BASEPLATE SAFETY CABLE, 36" CL III (NOT SHOWN)
	2	229-0359	QUICKLINK, 3/8, ZP (NOT SHOWN)



General Information

1. Ensure that your product(s) are registered online at www.blueox.com. It is crucial to register your product(s) so that you may be alerted of product offerings, updates, upgrades, maintenance and safety bulletins, and/or recalls.
2. **It is the owner's responsibility to inspect all towing equipment for cracked welds, missing or worn parts and loose bolts before each towing trip.** Be sure to use Loctite® Red on all bolts and tighten to the recommended specifications.
3. **It is the owner's responsibility to hook up all towing equipment per manufacturer's instructions/recommendations.**
4. Remove the attachment tabs when not in use (if applicable).

Notice To Baseplate Installer

1. It is YOUR responsibility to watch for:

- Oil cooler and air conditioner lines
- Electrical wires and hoses
- Missing parts or attaching points on the frame

** If the baseplate is improperly installed and is against a wire or hose, it could cause fluid leaks or electrical shorts some time after the actual baseplate installation.

Permanent Baseplate Safety Cable Installation

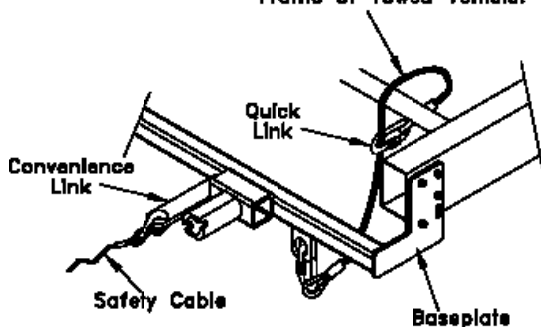
Permanent baseplate safety cables are strongly recommended when towing a vehicle with a tow bar. The principle function of the permanent baseplate safety cables is to prevent the towed vehicle from breaking loose in the event the connection between the frame of the towed vehicle and the baseplate fails or becomes disconnected. The cables must be connected from the baseplate to the frame rail or cross member of the vehicle's frame. The illustrations below show the possible arrangements recommended by Blue Ox®. Each permanent baseplate safety cable must have an adequate weight rating for the towing system. The weight rating of the two (2) cables together will not qualify.

Do not mount the permanent baseplate safety cables against wires, hoses or brake lines.

These permanent baseplate safety cables should remain installed as long as the baseplate is installed on the vehicle. Permanent baseplate safety cables are to be used in conjunction with, and NOT a replacement for legally required safety cables attaching the towed vehicle to the towing vehicle.

OPTION #1

Permanent Baseplate Safety Cables to Cross Member or Frame of Towed Vehicle.



OPTION #2

Permanent Baseplate Safety Cables to Cross Member or Frame of Towed Vehicle.

