



## BX1740

# 2020-2023 Chevy Pickup 2500/3500 Silverado (Includes Adaptive Cruise Control & Shutters) Installation Instructions

**Attachment Tab Height: 22"**

**Attachment Tab Width: 32.5"**

**Serial Number**

**Please read BOTH these Installation Instructions and the General Information sheet prior to installing or operating this equipment.**

1. Blue Ox® towing products and accessories are intended to be installed by Blue Ox® Dealers who are familiar with our products and have the equipment and knowledge necessary to do "fit work". If needed, Blue Ox® Dealers can be found at [www.blueox.com](http://www.blueox.com) or by contacting our Technical Service Department at (402) 385-3051.
2. Many Blue Ox® baseplates are designed to use existing holes and hardware to mount the baseplate to the towed vehicle. Even though bolts are there, do not assume they are adequate for baseplate mounting. Always use the hardware supplied in the hardware kit and existing hardware as specified in the installation instructions.

### Bolt Torque Specifications

Torque in Foot-Pounds for Inch Bolts

Bolt Size	Grade 5	Grade 8
1/4"	10	14
5/16"	19	29
3/8"	33	47
7/16"	54	78
1/2"	78	119
5/8"	154	230
3/4"	257	380



If the front of your vehicle looks different than this, please contact us at (402)385-3051.

**Reference your vehicle owner's manual for manufacturer's towing specifications.**

### Bolt Torque Specifications

Torque in Foot-Pounds for Metric Bolts

Bolt Size	Grade 8.8	Grade 10.9
6MM	6	8
8MM	16	22
10MM	31	40
12MM	54	70
14MM	89	117
16MM	161	230
18MM	222	318



## WARNING

Failure to read and follow these instructions could result in separation of the towed vehicle from the tow bar, causing property damage, loss of towed vehicle, personal injury or death.

BX1740  
2020-2023 Chevy Pickup 2500/3500 Silverado  
(Includes Adaptive Cruise Control & Shutters)  
Installation Instructions

**Instruction Notes:** The fascia and fascia cover are removed and reinstalled for the baseplate installation. Some drilling and trimming is required.

Place all components that are removed on a flat, sturdy surface. All items will be reinstalled unless otherwise noted after the baseplate is installed.

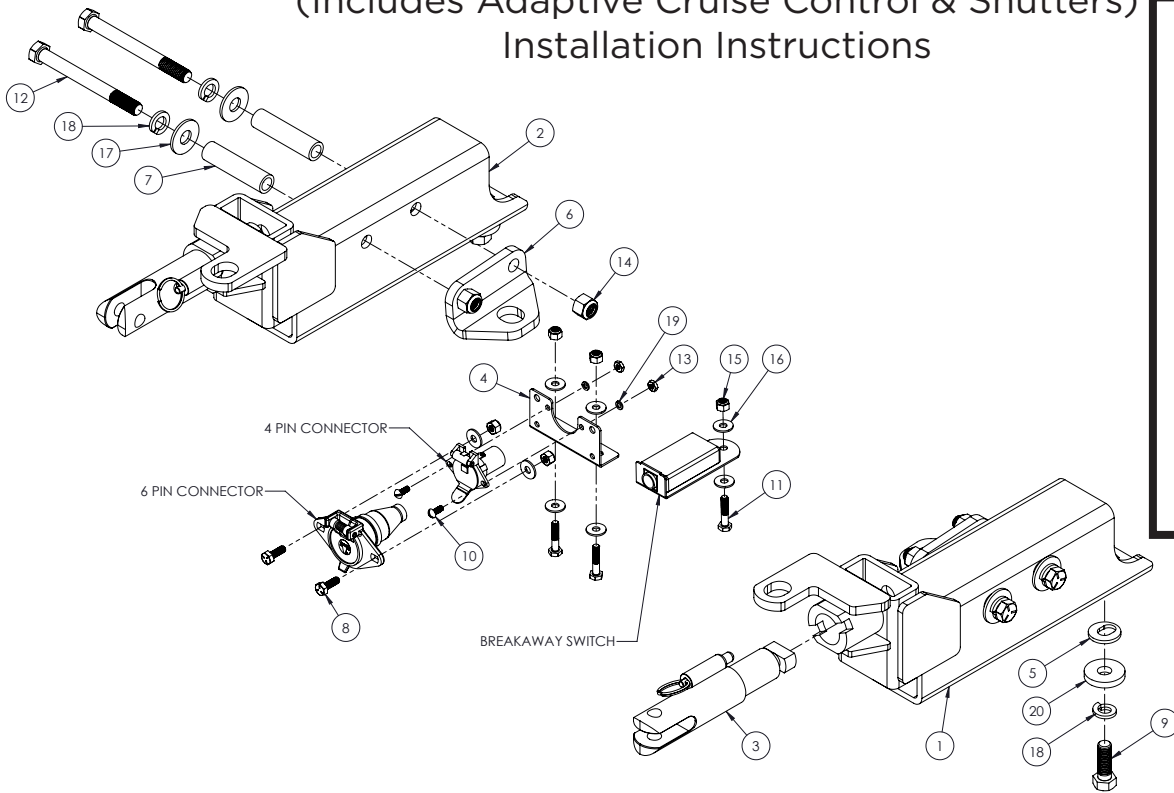
The dimensional variations between otherwise identical vehicles can be considerable. While the baseplate was designed for easy installation, it may be necessary to tailor the baseplate slightly to compensate for vehicle manufacturer's tolerances.

The BX8848 Tail Light Wiring Kit is recommended for this vehicle.

## ***NOTICE***

- Handling of some cosmetic parts when installing this product may require the use of protective covers, rags, specialty tools, etc. to prevent damage.
- When using power drills be aware of the dangers of torque and drill bit length.
- When using a reciprocating saw be aware of objects behind the cutting surface.
- Use a good quality paint to spray cut edges of frame to prevent rusting.
- Be sure that **ALL** electrical connections are plugged in and accessories are functioning properly before reinstalling the fascia.
- The baseplate is computer tested to your vehicle's GVWR, exceeding this weight will void the manufacturer's warranty.
- Be sure to use a sufficient amount of Loctite® Red on all bolt threads before tightening. Tighten all bolts according to the torque chart provided unless specified.
- Dealer or installer be certain the user receives these instruction sheets.
- If the baseplate is in an accident, it must be replaced. **DO NOT** use it again! An accident can cause unseen damage and using it again could result in more damage or serious injury. **DO NOT** use the baseplate if it is damaged or missing parts.

**BX1740**  
**2020-2023 Chevy Pickup 2500/3500 Silverado**  
**(Includes Adaptive Cruise Control & Shuttters)**  
**Installation Instructions**



- Tools Required**
- Utility Knife
  - Torque Wrench
  - Loctite® RED
  - Drill
  - Pliers
  - Socket Extension
  - 13/16" Drill Bit
  - 7MM Socket
  - 10MM Socket
  - 15MM Socket
  - 18MM Socket
  - 18MM Wrench
  - 7/16" Socket
  - 7/16" Wrench
  - 3/4" Socket
  - 3/4" Wrench
  - T15 Torx

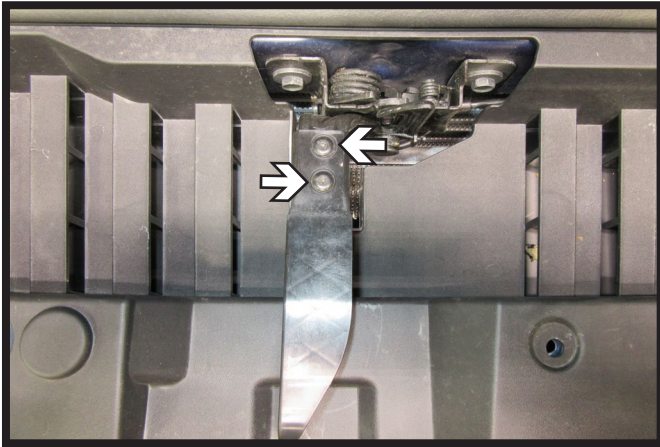
Item No.	Part No.	Description	Qty.
1.....	61-8313	BX1740 Baseplate, DS.....	1
2.....	61-8314	BX1740 Baseplate, PS.....	1
3.....	62-3468	Attachment Tab Assembly with Hole .....	2
4.....	101-6135	Electrical Bracket, 90° Bend.....	1
5.....	101-10365	10 GA Sleeve with Slot Plate.....	2
6.....	101-10414	Convenience Link Bolt On Plate, 90° Bend.....	2
7.....	107-3747	3/4" OD x 11 GA x 3" Tube .....	4
8.....	201-0050	1/4"-20 x 3/4" Hex Head Bolt, Grade 5, ZP .....	2
9.....	201-0051	1/2"-13 x 1-1/2" Hex Head Bolt, Grade 5.....	2
10.....	201-0192	#10-32 1/2" Round Slotted Head Screw.....	2
11.....	201-0204	1/4"-20 x 1-1/4" Hex Head Bolt, Grade 5, ZP .....	3
12.....	201-0786	1/2"-13 x 5" Hex Head Bolt, Grade 5, ZP .....	4
13.....	202-0047	#10-32 Hex Nut .....	2
14.....	202-0094	1/2"-13 Hex Nylon Insert Lock Nut, ZP.....	4
15.....	202-0102	1/4"-20 Hex Nylon Nut, ZP .....	5
16.....	203-0001	1/4" Flat Washer, ZP.....	8
17.....	203-0005	1/2" Flat Washer .....	4
18.....	203-0012	1/2" Lock Washer, ZP .....	6
19.....	203-0054	#10 Lock Washer, ZP .....	2
20.....	203-0127	1-1/2" OD x 17/32" ID x 1/4" Thick Washer .....	2
21.....	226-0049(not shown)	Class IV Safety Cables.....	2
22.....	229-0512(not shown)	1/2" Quicklink, ZP .....	2
23.....	290-0437(not shown)	Black Cap Plug Receiver.....	2

**Important:**

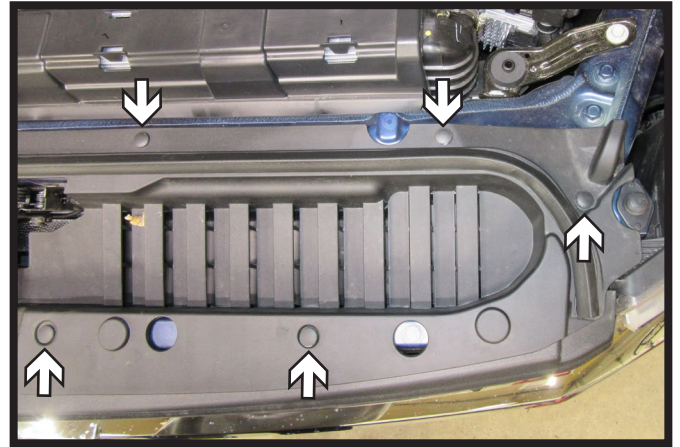
Use only genuine factory replacement parts on your baseplate. Do **NOT** substitute homemade or non-typical parts. If a bolt is lost or in need of replacement, for your safety and the preservation of your baseplate, be sure to use a replacement bolt of the same grade (In most cases it will be Grade 5, please reference the parts list above). Replacement parts may be ordered through your nearest Blue Ox® Dealer or Distributor. Failing to follow and/or altering these installation instructions in either installation or required equipment will void the manufacturer's warranty. Towing behind a non-motorized vehicle will void the warranty.



BX1740  
2020-2023 Chevy Pickup 2500/3500 Silverado  
(Includes Adaptive Cruise Control & Shuttters)  
Installation Instructions



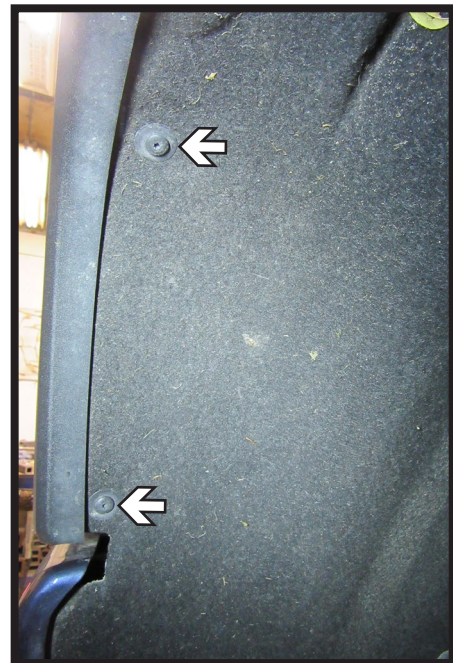
1. Using a T15 Torx, remove the two (2) bolts from the handle. Remove handle and set aside to be reinstalled later.



2. Remove the ten (10) push pins from the top of the fascia, there are five (5) on each side. Remove fascia cover and set aside to be reinstalled later.



3. Using a 10MM socket, remove the two (2) bolts from the top of the fascia. Do this on both sides of the vehicle.

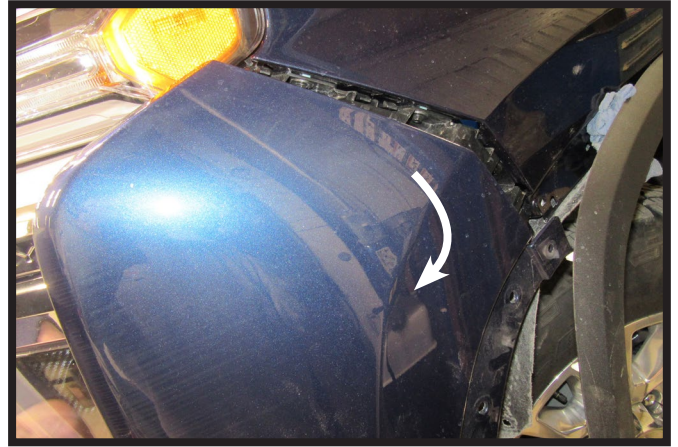


4. Using a T15 Torx, remove the two (2) bolts from along the edge of the wheel well. Do this on both sides of the vehicle.

BX1740  
2020-2023 Chevy Pickup 2500/3500 Silverado  
(Includes Adaptive Cruise Control & Shuttters)  
Installation Instructions



5. Unclip the front half of the wheel well trim. Prop trim away from vehicle using a rag or soft material to prevent scratching. Using a 7MM socket, remove the one (1) bolt from the fascia joint. Do this on both sides of the vehicle.



6. Grab fascia in the wheel well and pull outward firmly to remove corner of center fascia piece. Do this on both sides of the vehicle. Remove center fascia piece and set aside to be reinstalled later.



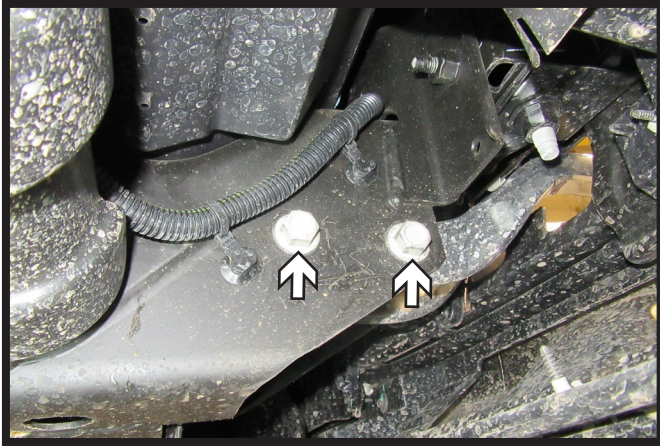
7. Using a 10MM socket, remove the one (1) bolt from the bottom corner of the grill. Do this on both sides of the vehicle.



8. Grab the grille near the top and pull firmly away from the vehicle. Unsnap remaining clip near the bottom center of the grille. Remove grille and set aside to be reinstalled later.



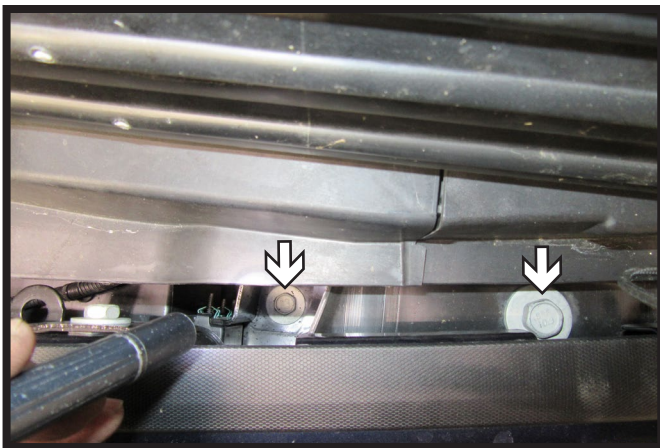
BX1740  
2020-2023 Chevy Pickup 2500/3500 Silverado  
(Includes Adaptive Cruise Control & Shuttters)  
Installation Instructions



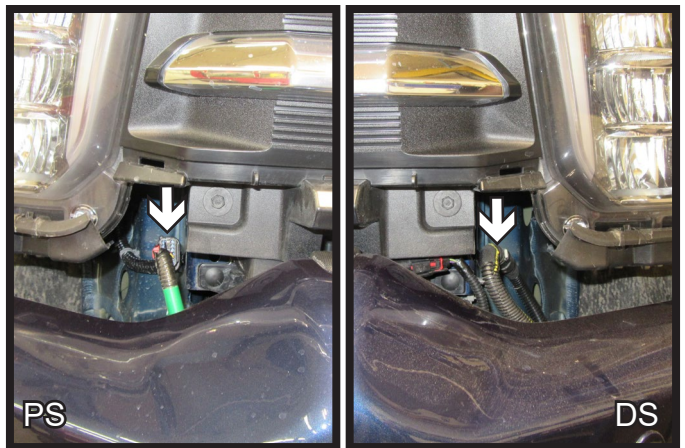
9. Using an 18MM socket, remove the two (2) bolts from the tow hook. Do this on both sides of the vehicle. Remove tow hooks, they will not be reinstalled.



10. Using a 15MM socket, remove the one (1) bolt from the corner on the underside of the fascia. Do this on both sides of the vehicle.

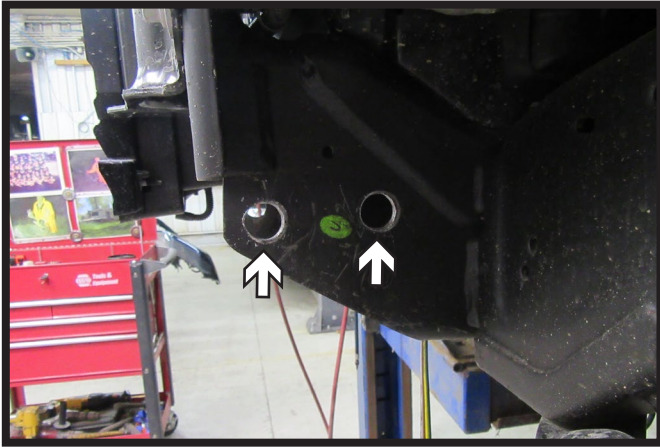


11. On the top side of the bumper, use an 18MM socket and socket extension to remove the two (2) bolts from behind the bumper. Do this on both sides of the vehicle.

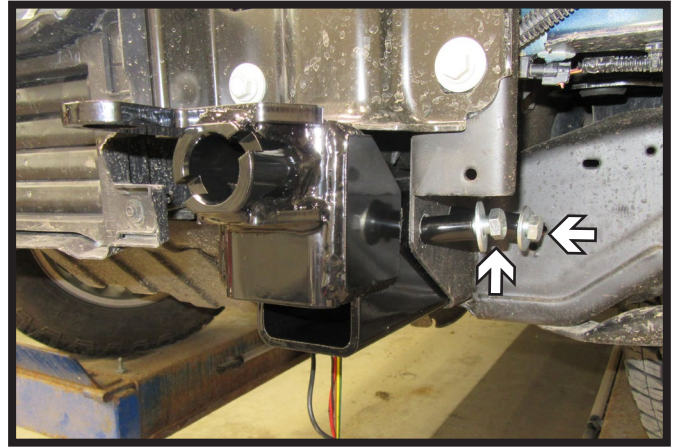


12. Disconnect the indicated wire loom on the driver side of the vehicle and the main wire loom on the passenger side of the vehicle. Remove bumper and set aside to be reinstalled later.

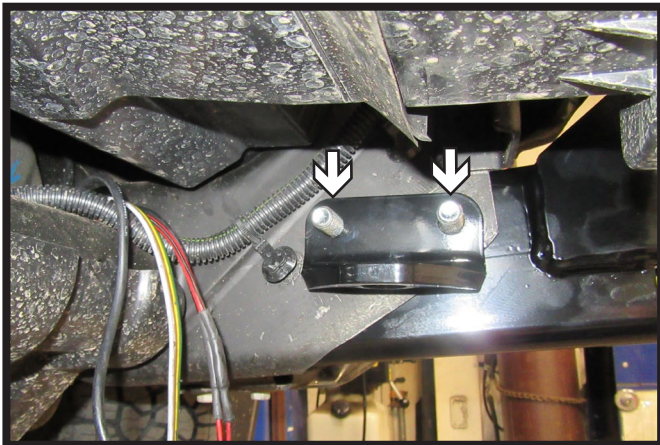
BX1740  
2020-2023 Chevy Pickup 2500/3500 Silverado  
(Includes Adaptive Cruise Control & Shutters)  
Installation Instructions



13. Using a 13/16" drill bit, drill out the two (2) tow hook holes. Do this on both sides of the vehicle.



14. Slide the baseplate into the frame. Insert two (2) 1/2" bolts with lock washers, flat washers, and spacers. Do this on both sides of the vehicle.



15. Slide the convenience link bracket onto the two (2) 1/2" bolts and place a nylon lock nut on each bolt to secure. Do this on both sides of the vehicle.



16. Insert one (1) 1/2" bolt with lock washer, thick washer, and slotted washer into the bottom of baseplate. Once bolt is started, position slotted washer and tick washer then tighten bolt. Do this on both sides of the vehicle.

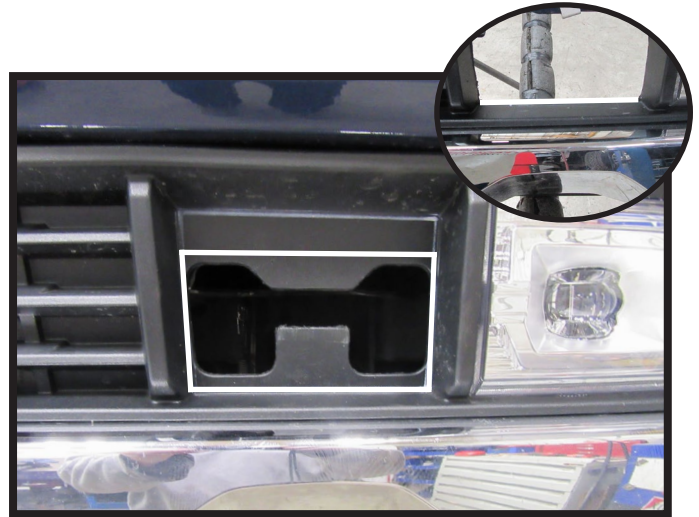
**\*\* Use Loctite® Red on all bolt threads and tighten all bolts to the appropriate torque.\*\***



BX1740  
2020-2023 Chevy Pickup 2500/3500 Silverado  
(Includes Adaptive Cruise Control & Shutters)  
Installation Instructions



17. Attach the permanent baseplate safety cables to the provided convenience link on the baseplate. The photo above shows the recommended installation of the cables to frame of vehicle. Additional options may interfere with suggested mounting; in this case, secure the cables to a solid piece of the frame as described in the General Information sheet. Be sure the safety cables do not rub against any hoses or moving parts. Do this on **BOTH** sides of the vehicle.



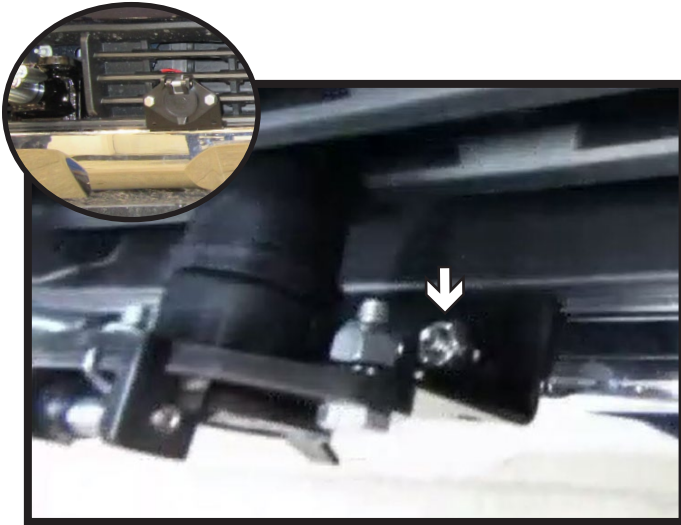
18. Trim the tow hook opening as indicated to allow room for the baseplate. Then trim the bottom inner side at an angle as needed (inset).



19. Reinstall the bumper, fascia, fascia cover, handle, and reconnect all electrical.



BX1740  
2020-2023 Chevy Pickup 2500/3500 Silverado  
(Includes Adaptive Cruise Control & Shutters)  
Installation Instructions



20. Using a 1/4" drill bit, drill two (2) holes on the passenger side of the vehicle using the electrical bracket as a guide. Insert two (2) 1/4" bolts with hardware.  
**Note:** Install where indicated to run electrical through opening in fascia and avoid shutters (inset).



21. **Optional:** Using a 1/4" drill bit, drill one (1) hole on the driver side of the vehicle. Attach breakaway switch using one (1) 1/4" bolt with hardware.  
**Note:** Install where indicated to breakaway cord through opening in fascia and avoid shutters (inset).

**\*\* Use Loctite® Red on all bolt threads and tighten all bolts to the appropriate torque.\*\***

## CUSTOMER SERVICE COMMITMENT

Blue Ox® is committed to providing you with exceptional customer care throughout your lifetime with our products. Our team is here to assist you with any questions you may have regarding the performance of your product. Simply call (402) 385-3051 and you can speak with our technical service team.

Additionally, please visit our website to see which rallies our Destination America team will be attending. For a nominal fee, our service technician will service your towing system to ensure it's in proper working condition. Also, as a commitment to our customers, should you visit our factory, you can stay at our full service Blue Ox® campground at no charge along with enjoying a factory tour.

Again, thank you for being our customer and for the confidence you have shown in the performance of our products. It is because of customers like you we enjoy the success we have today.

© 2022 Blue Ox  
One Mill Road, Industrial Park  
Pender, Nebraska 68047  
Phone: (402) 385-3051  
Fax: (402) 385-3360  
[www.blueox.com](http://www.blueox.com)

# General Information

1. Ensure that your product(s) are registered online at [www.blueox.com](http://www.blueox.com). It is crucial to register your product(s) so that you may be alerted of product offerings, updates, upgrades, maintenance and safety bulletins, and/or recalls.
2. **It is the owner's responsibility to inspect all towing equipment for cracked welds, missing or worn parts and loose bolts before each towing trip.** Be sure to use Loctite® Red on all bolts and tighten to the recommended specifications.
3. **It is the owner's responsibility to hook up all towing equipment per manufacturer's instructions/recommendations.**
4. Remove the attachment tabs when not in use (if applicable).

## Notice To Baseplate Installer

### 1. It is YOUR responsibility to watch for:

- Oil cooler and air conditioner lines
- Electrical wires and hoses
- Missing parts or attaching points on the frame

\*\* If the baseplate is improperly installed and is against a wire or hose, it could cause fluid leaks or electrical shorts some time after the actual baseplate installation.

## Permanent Baseplate Safety Cable Installation

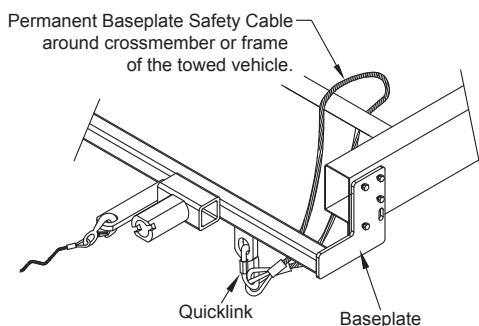
Permanent baseplate safety cables are strongly recommended when towing a vehicle with a tow bar. The principle function of the permanent baseplate safety cables is to prevent the towed vehicle from breaking loose in the event the connection between the frame of the towed vehicle and the baseplate fails or becomes disconnected. The cables must be connected from the baseplate to the frame rail or cross member of the vehicle's frame. The illustrations below show the possible arrangements recommended by Blue Ox®. Each permanent baseplate safety cable must have an adequate weight rating for the towing system. The weight rating of the two (2) cables together will not qualify.

***Do not mount the permanent baseplate safety cables against wires, hoses or brake lines.***

These permanent baseplate safety cables should remain installed as long as the baseplate is installed on the vehicle. Permanent baseplate safety cables are to be used in conjunction with, and NOT a replacement for legally required safety cables attaching the towed vehicle to the towing vehicle.

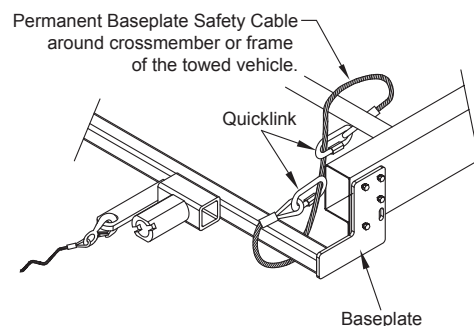
### Option #1

(Baseplates with Convenience Link Tabs)



### Option #2

(Baseplates with out Convenience Link Tabs)





# BLUE OX ORIGINAL PURCHASERS THREE YEAR LIMITED WARRANTY

Automatic Equipment Manufacturing Company ("Automatic") warrants to the original (first) retail purchaser that this product, manufactured by Automatic, shall be free from defect in material and workmanship under normal use and service for a period of three years from the date of delivery.

During said three-year period, Automatic will repair or replace any parts that have been returned by the original purchaser, to the factory, transportation prepaid, and in Automatic's sole and absolute opinion found to be defective.

Limitations on Warranty Coverage:

Coverage under this warranty will be valid only if the customer warranty card is returned by the original purchaser within 30 days of purchase.

Coverage under this warranty will be effective only when a copy of the original invoice, showing date and place of purchase, accompanies any claim for warranty. This warranty is NON TRANSFERABLE.

This limited warranty will not cover, in any way or form, any alleged damages caused by incorrect or improper installation, improper use, modification or neglect of product, failure to properly service and maintain, misuse, act of God, accident or failure of the user to follow guidelines contained in the instructional material provided by Automatic.

This warranty does not cover normal wear and tear, paint or rust.

Warrantor assumes no responsibility to the owner for loss of use of product, loss of time, inconvenience or any other damage consequential or otherwise. Including, but not limited to mileage, expense of transporting of product, return shipping expense, mechanics travel time, telephone, road service, towing, and rental during repairs, travel, lodging, loss or damage to personal property or loss of earnings.

**REPAIR OR REPLACEMENT AS SET FORTH IN THIS LIMITED WARRANTY IS THE SOLE EXCLUSIVE REMEDY OF THE PURCHASER. AUTOMATIC SHALL NOT BE LIABLE FOR ANY INCIDENTAL OR CONSEQUENTIAL DAMAGES FOR BREACH OF ANY EXPRESS OR IMPLIED WARRANTY ON THIS PRODUCT. EXCEPT TO THE EXTENT PROHIBITED BY APPLICABLE LAW, ANY IMPLIED WARRANTY OF MERCHANTABILITY OR FITNESS FOR A PARTICULAR PURPOSE ON THIS PRODUCT IS LIMITED IN LENGTH TO THE DURATION OF THIS WARRANTY.**

Please visit <http://blueox.com/warranty/> to register your warranty



**BLUE OX**