



**BLUE OX®**

**BX1699**  
2011-14 Cadillac Escalade Platinum (Includes Hybrid)  
Installation Instructions

**Serial Number**

**Please read BOTH these Installation Instructions and the General Towing Instructions before attempting to install or operate this equipment.**

- Blue Ox® towing products and accessories are intended to be installed by Blue Ox® Dealers who are familiar with our products and have the equipment and knowledge to do “fit work.” When necessary, Blue Ox® Dealers can be found at [www.blueox.com](http://www.blueox.com) or by contacting our Customer Care Department at (402) 385-3051.
- Many Blue Ox® Baseplates are designed to use existing holes and hardware to mount the baseplate to the towed vehicle. Even though bolts are there, do not assume they are adequate for baseplate mounting. Always use hardware supplied in the hardware kit or existing hardware specified in the Baseplate Towing Installation Instructions.

Attachment Tab Height: 17 1/2"  
Attachment Tab Width: 23 1/4"

**Bolt Torque Specifications**  
Torque in Foot-Pounds for Metric Bolts

Bolt Size	Grade 8.8	Grade 10.9
6MM	6	8
8MM	16	22
10MM	31	40
12MM	54	70
14MM	89	117

**Confirm the towability and pre-towing procedures for your vehicle with the owner’s manual or contact the vehicle’s manufacturer for specific towing procedures.**

**Bolt Torque Specifications**  
Torque in Foot-Pounds for Inch Bolts

Bolt Size	Grade 5	Grade 8
1/4"	10	14
5/16"	19	29
3/8"	33	47
7/16"	54	78
1/2"	78	119
5/8"	154	230



**If the front of your vehicle looks different than this, call us at (402) 385-3051.**

**! WARNING**

Failure to read and follow these instructions could result in separation of the towed vehicle from the tow bar, causing property damage, loss of towed vehicle, personal injury or death.



**BLUE OX®**

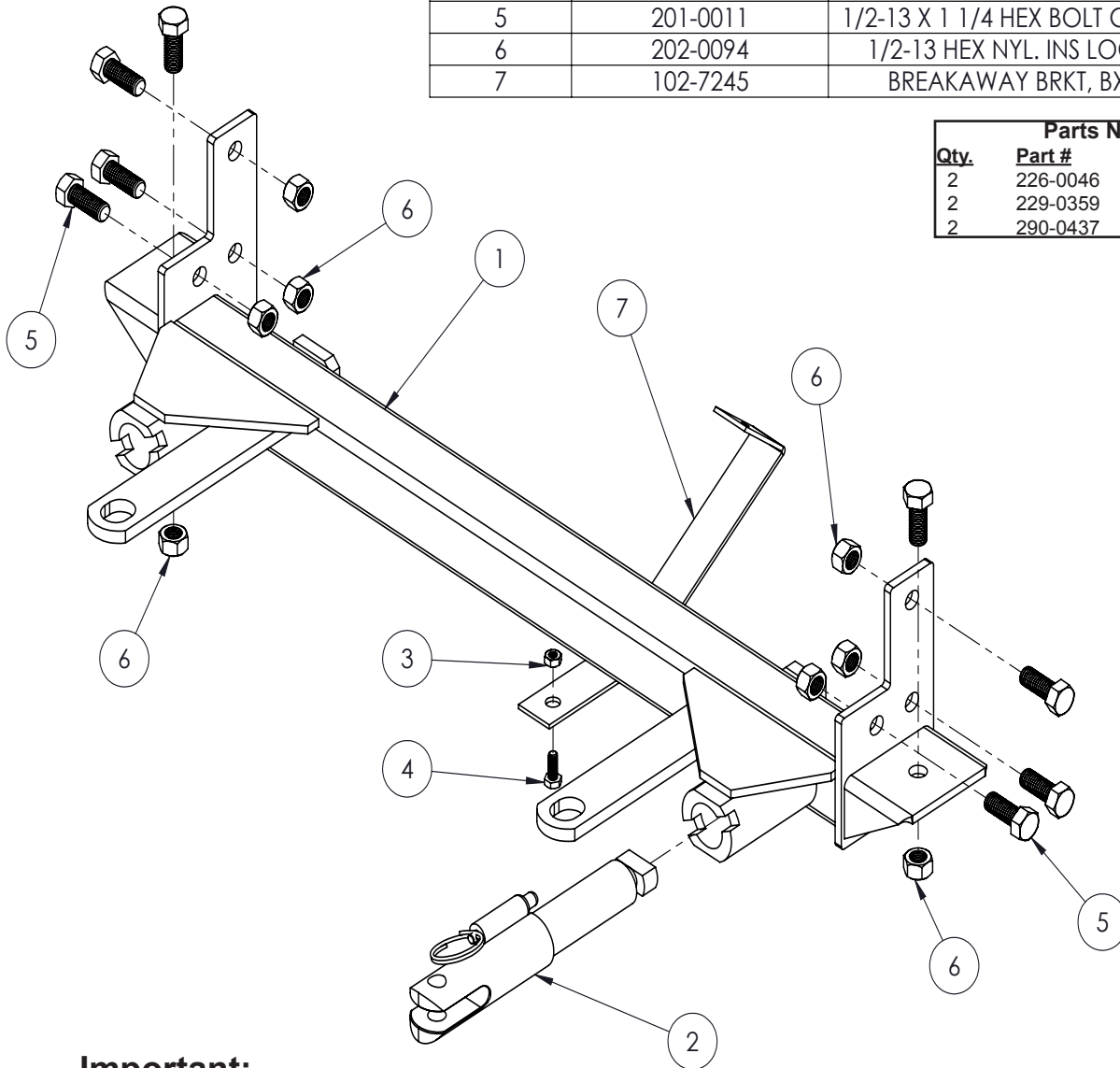
# BX1699

2011-14 Cadillac Escalade Platinum (Includes Hybrid)  
Installation Instructions

### Tools Required

7MM Socket	Flat Screw Driver	1-1/2" Hole Saw	Torque Wrench
10MM Socket	Drill	Large Vice Grip	7/16" Socket
3/4" Socket	15MM Socket	17/32" Drill Bit	7/16" Wrench
3/4" Wrench	Tape Measure	Utility Knife	Loctite® RED

ITEM NO.	PART NUMBER	DESCRIPTION	QTY.
1	61-6934	WLDMT, BP, BX1699	1
2	62-3469	ATT TAB ASSY, REM, SF/LB, 1 HOLE	2
3	202-0102	1/4-20 HEX NYL NUT, ZP	3
4	201-0050	1/4-20 X 3/4 HEX BOLT, GRD. 5, ZP	3
5	201-0011	1/2-13 X 1 1/4 HEX BOLT GRD. 5, ZP	8
6	202-0094	1/2-13 HEX NYL. INS LOCK NUT	8
7	102-7245	BREAKAWAY BRKT, BX1699	1



Parts Not Pictured:		
Qty.	Part #	Description
2	226-0046	Baseplate Safety Cables
2	229-0359	Quicklink, 3/8, ZP
2	290-0437	Cap Plug, Black

### Important:

Use only genuine factory replacement parts on your baseplate. Do **NOT** substitute homemade or non-typical parts. If a bolt is lost or in need of replacement, for your safety and the preservation of your baseplate, be sure to use a replacement bolt of the same grade (In most cases it will be Grade 5, please reference the parts list above). Replacement parts may be ordered through your nearest Blue Ox® Dealer or Distributor. Failing to follow and/or altering these installation instructions in either installation or required equipment will void the manufacturer's warranty.



**BLUE OX®**

## **BX1699** 2011-14 Cadillac Escalade Platinum (Includes Hybrid) Installation Instructions

**Vehicle Weight:** Be sure to confirm the weight of your individual vehicle before towing. Some models, depending on options and load, may exceed the weight rating of specific tow bars. Always insure both your tow bar and hitch are adequately rated for the vehicle's overall weight.

Tow Bar Adapters are NOT to be used with vehicles weighing over 5,000 lbs.

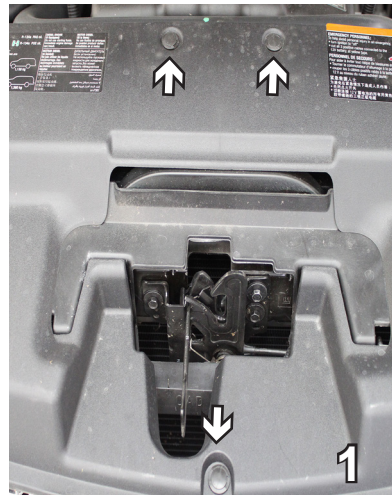
**Installation Notes:** The fascia, radiator cover and lower bumper support are removed and reinstalled during installation of the baseplate. Drilling is required. Trimming of the fascia is required.

The dimensional variations between otherwise identical vehicles can be considerable. While the baseplate was designed for easy installation, it may be necessary to tailor the baseplate slightly to compensate for auto manufacturer's tolerances. These minor adjustments may include filing a hole slightly, bending electrical rods or bending end plates.

The BX8848 Diode Wiring Kit is recommended for this vehicle.

**Handling of some cosmetic parts when installing this product may require the use of protective covers, rags, specialty tools, etc. to prevent damage.**

**Do not use the towed vehicle for storing luggage, equipment, etc. This may cause you to exceed the towing capacity of the tow bar, baseplate, and its accessories.**



1. Remove nine push pins from the radiator cover on the top side of the fascia. Set radiator cover and push pins aside to be reinstalled later.



2. Using a 10MM socket, remove six bolts from the fascia. Set bolts aside to be reinstalled later. Carefully remove fascia and set aside to be reinstalled later.



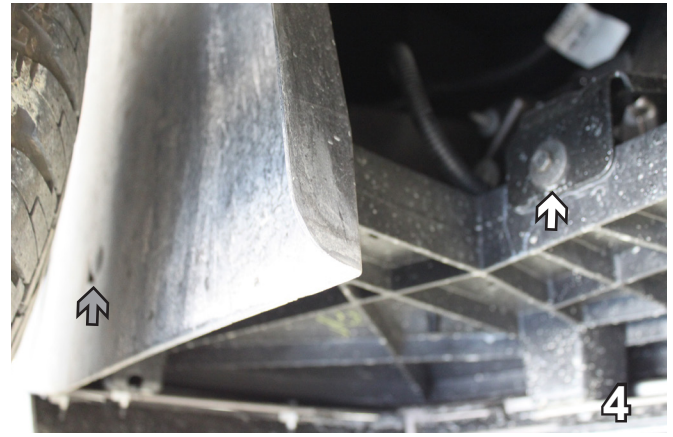


**BLUE OX®**

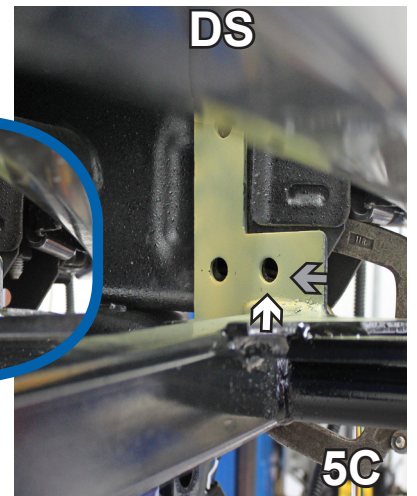
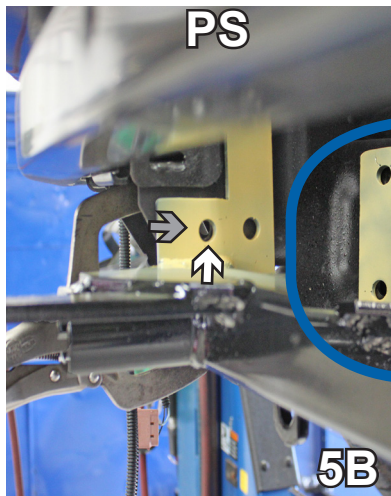
**BX1699**  
2011-14 Cadillac Escalade Platinum (Includes Hybrid)  
Installation Instructions



3. In front of the tire, with a 7MM socket, remove 2 bolts (white arrows). Also remove 2 push pins in front of the tire (gray arrows). Do this to both sides. Set bolts and push pins aside to be reinstalled later.



4. Using a 10MM socket, remove one bolt located underneath the fascia, directly in front of the tire (white arrow). Also, directly in front of the tire, remove 1 push pin (gray arrow). Do this to both sides. Remove lower bumper support and set lower bumper support, bolts and push pins aside to be reinstalled later.



5. Using existing front holes in frame and baseplate as a guide, slide the baseplate up to frame rail as shown in picture 5A. There are existing bolt holes to align baseplate (2 on driver's side, 1 on passenger's side). Insure baseplate is level. Clamp with large vise grips. Should existing bolt holes need to be drilled to accommodate baseplate, use 17/32" drill bit to accommodate the 1/2-13 x 1 1/4 hex bolts. Start with the front bolts referenced in pictures 5B and 5C (white arrows). Yellow is used on this baseplate for demonstrative purposes only.

Insert 1/2-13 x 1 1/4 hex bolts into the front holes of each side of the baseplate (gray arrows) with 1/2-13 hex nyl. ins. locking nut. Tighten bolts with Loctite Red.

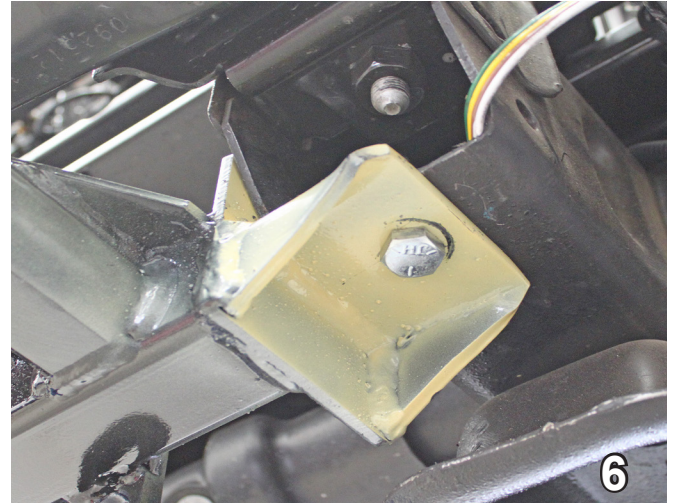
**BE SURE TO USE LOCTITE® RED ON ALL BOLTS BEFORE TIGHTENING. TIGHTEN ALL BOLTS ACCORDING TO THE TORQUE CHART ON THE FRONT PAGE OF THESE INSTRUCTIONS OR ON PAGE 3 OF THE BASEPLATE TOWING GENERAL INSTRUCTIONS.**



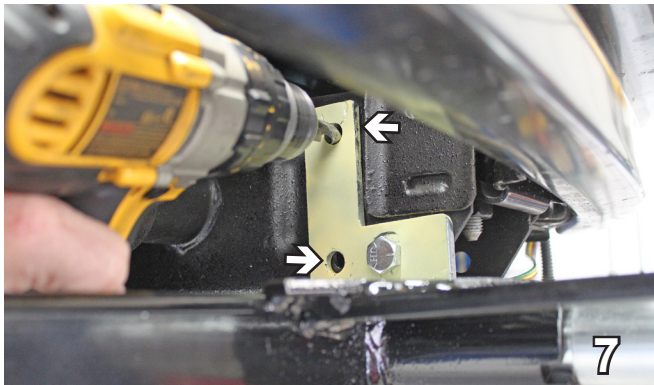


**BLUE OX**<sup>®</sup>

**BX1699**  
2011-14 Cadillac Escalade Platinum (Includes Hybrid)  
Installation Instructions



6. At the bottom of the baseplate, drill with a 17/32" drill bit to accommodate the 1/2-13 x 1 1/4 hex bolt. Do this on both sides - confirm baseplate remains level. Insert 1/2-13 x 1 1/4 hex bolts into holes on each side of the baseplate with 1/2-13 hex nyl. ins. locking nuts. Tighten bolts with Loctite Red.



7. Drill remaining 2 holes on side plates of the baseplate with a 17/32" drill bit. Do this on both sides. Insert 1/2-13 x 1 1/4 hex bolts into holes on each side of the baseplate with 1/2-13 hex nyl. ins. locking nuts. Tighten bolts with Loctite Red.

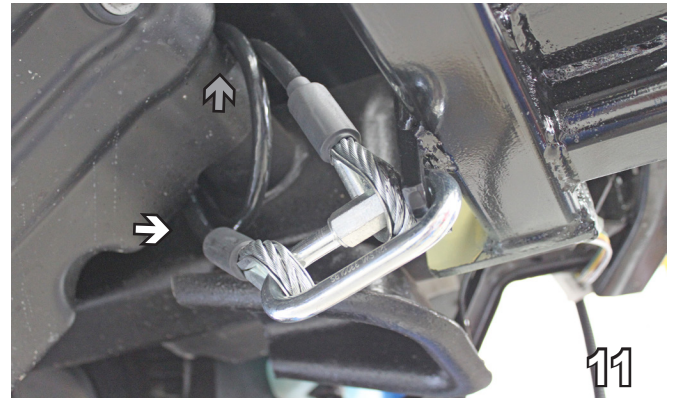


8. Using a utility knife, cut out chrome webbing on the front of the fascia to accommodate baseplate. Do this on both sides.





9. After chrome has been trimmed, on backside of fascia, trim plastic with utility knife as shown in 9A. Turn fascia over and trim second layer of plastic from fascia with utility knife (9B). Completed trimming shown in 9C.



10. **Optional:** To mount electrical connector (not provided), in the center, underneath the license plate frame at bottom of the fascia, with a 1 1/2" hole saw, drill through the bottom of the fascia frame as shown above. Insert electrical adapter. Using the adapter as a template, drill additional holes on each side to attach with the hardware.

11. Attach permanent baseplate safety cables to the provided convenience link on the baseplate (white arrow) The photo above shows the recommended installation of the cables to frame of vehicle (gray arrow). Additional options may interfere with suggested mounting; in this case, secure the cables to a solid piece of the frame as described in the instructions included with the permanent baseplate safety cables. Be sure the safety cables do not rub against any hoses or moving parts. Do this to both sides of the vehicle.



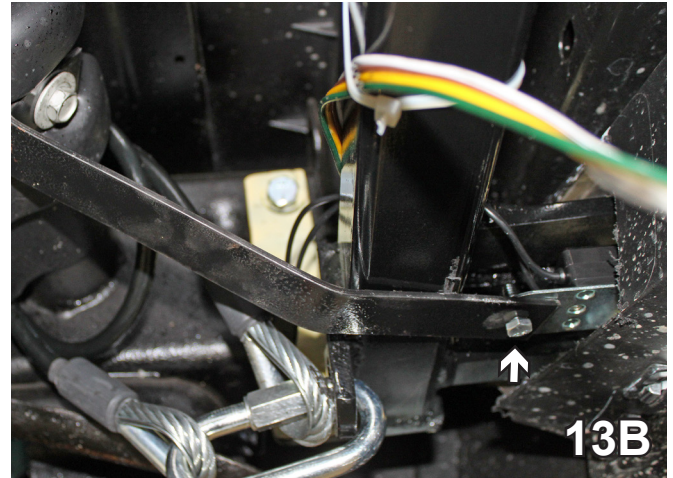
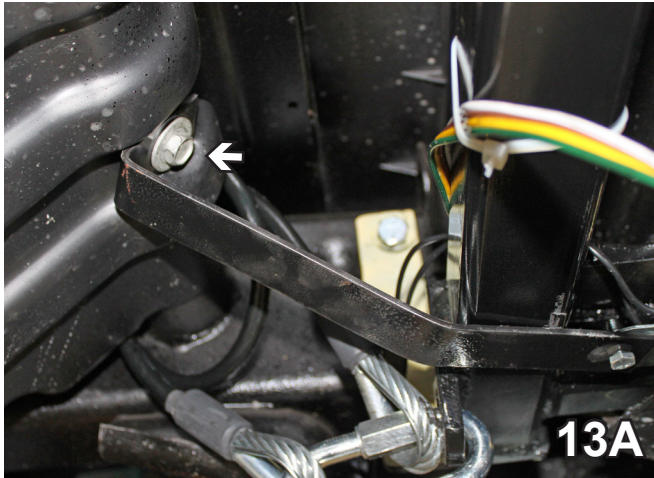
12. Reinstall lower bumper support, fascia, and radiator cover with existing bolts and push pins.

**When using power drills be aware of the dangers of torque and drill bit length.**



**BLUE OX**<sup>®</sup>

**BX1699**  
2011-14 Cadillac Escalade Platinum (Includes Hybrid)  
Installation Instructions



13. **Optional:** With a 15MM socket, remove the driver's side bolt from the bellypan. Attach breakaway bracket into existing hole on bellypan using existing bolt (13A). Attach breakaway bracket to fascia with 1/4-20 x 3/4 hex bolt and 1/4-20 hex nyl. nut (13B).

**DEALER or INSTALLER:**  
Be certain the user receives the  
instruction sheets for their products.

Be sure that **ALL** electrical connections  
are plugged in properly and functioning  
**BEFORE** installing the fascia.





**BLUE OX®**

## **BX1699** 2011-14 Cadillac Escalade Platinum (Includes Hybrid) Installation Instructions

Install the tow bar and safety cables according to the instructions provided in their packages. When demonstrating this to the customer, be sure to include all the contents and packages.

Do **NOT** substitute other devices if the tow bar pins and clips are misplaced.



**Shown with removable tabs installed.**



**Shown without removable tabs installed.**

If the baseplate is in an accident, it must be replaced. **DO NOT** use it again! An accident can cause unseen damage and using it again could result in more damage or serious injury. **DO NOT** use the baseplate if it is damaged or missing parts.

### **CUSTOMER SERVICE COMMITMENT**

Blue Ox is committed to providing you with exceptional customer care throughout your lifetime with our products. Our team is here to assist you with any questions you may have regarding the performance of your product. Simply call (402) 385-3051 and you can speak with our customer care team.

Additionally, please visit our website to see which rallies our Destination America team will be attending. For a nominal fee, our service technician will service your towing system to ensure it's in proper working condition. Also, as a commitment to our customers, should you visit our factory, you can stay at our full service Blue Ox campground at no charge along with enjoying a factory tour.

Again, thank you for being our customer and for the confidence you have shown in the performance of our products. It is because of customers like you we enjoy the success we have today.



**BLUE OX®**

© 2011 Blue Ox  
One Mill Road, Industrial Park  
Pender, Nebraska 68047  
Phone: (402) 385-3051 • Fax: (402) 385-3360  
[www.blueox.com](http://www.blueox.com)



# General Information

1. Ensure that your product(s) are registered online at [www.blueox.com](http://www.blueox.com). It is crucial to register your product(s) so that you may be alerted of product offerings, updates, upgrades, maintenance and safety bulletins, and/or recalls.
2. **It is the owner's responsibility to inspect all towing equipment for cracked welds, missing or worn parts and loose bolts before each towing trip.** Be sure to use Loctite® Red on all bolts and tighten to the recommended specifications.
3. **It is the owner's responsibility to hook up all towing equipment per manufacturer's instructions/recommendations.**
4. Remove the attachment tabs when not in use (if applicable).

## Notice To Baseplate Installer

### 1. It is YOUR responsibility to watch for:

- Oil cooler and air conditioner lines
- Electrical wires and hoses
- Missing parts or attaching points on the frame

\*\* If the baseplate is improperly installed and is against a wire or hose, it could cause fluid leaks or electrical shorts some time after the actual baseplate installation.

## Permanent Baseplate Safety Cable Installation

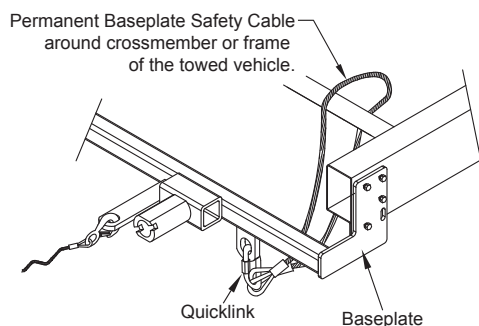
Permanent baseplate safety cables are strongly recommended when towing a vehicle with a tow bar. The principle function of the permanent baseplate safety cables is to prevent the towed vehicle from breaking loose in the event the connection between the frame of the towed vehicle and the baseplate fails or becomes disconnected. The cables must be connected from the baseplate to the frame rail or cross member of the vehicle's frame. The illustrations below show the possible arrangements recommended by Blue Ox®. Each permanent baseplate safety cable must have an adequate weight rating for the towing system. The weight rating of the two (2) cables together will not qualify.

***Do not mount the permanent baseplate safety cables against wires, hoses or brake lines.***

These permanent baseplate safety cables should remain installed as long as the baseplate is installed on the vehicle. Permanent baseplate safety cables are to be used in conjunction with, and NOT a replacement for legally required safety cables attaching the towed vehicle to the towing vehicle.

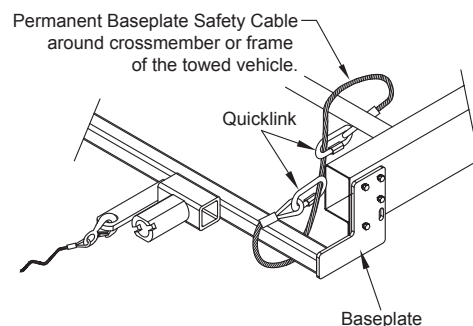
### Option #1

(Baseplates with Convenience Link Tabs)



### Option #2

(Baseplates with out Convenience Link Tabs)



# BLUE OX ORIGINAL PURCHASERS THREE YEAR LIMITED WARRANTY

Automatic Equipment Manufacturing Company (“Automatic”) warrants to the original (first) retail purchaser that this product, manufactured by Automatic, shall be free from defect in material and workmanship under normal use and service for a period of three years from the date of delivery.

During said three-year period, Automatic will repair or replace any parts that have been returned by the original purchaser, to the factory, transportation prepaid, and in Automatic’s sole and absolute opinion found to be defective.

Limitations on Warranty Coverage:

Coverage under this warranty will be valid only if the customer warranty card is returned by the original purchaser within 30 days of purchase.

Coverage under this warranty will be effective only when a copy of the original invoice, showing date and place of purchase, accompanies any claim for warranty. This warranty is NON TRANSFERABLE.

This limited warranty will not cover, in any way or form, any alleged damages caused by incorrect or improper installation, improper use, modification or neglect of product, failure to properly service and maintain, misuse, act of God, accident or failure of the user to follow guidelines contained in the instructional material provided by Automatic.

This warranty does not cover normal wear and tear, paint or rust.

Warrantor assumes no responsibility to the owner for loss of use of product, loss of time, inconvenience or any other damage consequential or otherwise. Including, but not limited to mileage, expense of transporting of product, return shipping expense, mechanics travel time, telephone, road service, towing, and rental during repairs, travel, lodging, loss or damage to personal property or loss of earnings.

**REPAIR OR REPLACEMENT AS SET FORTH IN THIS LIMITED WARRANTY IS THE SOLE EXCLUSIVE REMEDY OF THE PURCHASER. AUTOMATIC SHALL NOT BE LIABLE FOR ANY INCIDENTAL OR CONSEQUENTIAL DAMAGES FOR BREACH OF ANY EXPRESS OR IMPLIED WARRANTY ON THIS PRODUCT. EXCEPT TO THE EXTENT PROHIBITED BY APPLICABLE LAW, ANY IMPLIED WARRANTY OF MERCHANTABILITY OR FITNESS FOR A PARTICULAR PURPOSE ON THIS PRODUCT IS LIMITED IN LENGTH TO THE DURATION OF THIS WARRANTY.**

Please visit <http://blueox.com/warranty/> to register your warranty

