



Strong As An Ox™

BX1659 Installation Instructions 2004 - 2009 Cadillac SRX

Serial No.

The front fascia, horn bracket, metal bumper, air filter housing assembly and windshield washer reservoir are removed for baseplate installation. Drilling is required. Trimming of air dam is required. Bracket on washer reservoir will need to be cut. The BX8848 is available for the vehicle. Attachment Tabs are 18 inches center to center and a height of 17 inches.



1. Remove the four push pins from top edge of fascia, both sides.



2. Just forward of front tire on edge of wheel well are three push pins to remove, both sides.



3. Pull wheel well back, remove one metric bolt and loosen metric hex nut from inside corner of fascia with the 10MM socket, both sides.



4. Remove 12 push pins from lower edge of fascia, pull fascia forward, disconnect electrical plug from light assembly and set fascia aside.



5. Loosen the two hose clamps from engine air intake and filter assembly, slide hose ends off, disconnect small tube from lower side of intake end and set aside.



6. Using the phillips screw driver, remove the two phillips screws from filter assembly, disconnect electrical plug and set cover aside.



Strong As An Ox™



7. Using the 10MM socket, remove two metric bolt from filter assembly, lift assembly tube end out of fender and engine compartment, set aside.



8. Remove metric bolt from horn bracket on driver's side, unplug the electrical connection and set aside.

9. Just above washer reservoir on driver's side are two metric bolts to remove with the 10MM socket.



10. Remove metric bolt from lower washer reservoir and front bracket with the 10MM socket.

11. While holding reservoir, remove the metric bolt between wheel well and reservoir with the 10MM socket. Unplug electrical lines, disconnect and plug fluid lines, set reservoir aside.



Strong As An Ox™



12. Using the 10MM socket remove the metric bolt from small radiator on the top side of metal bumper.



13. Remove the metric bolt from the lower bracket of small radiator from the back side of metal bumper and tie up out of the way.



14. Remove four push pins from air dams on metal bumper.



15. Using the 10MM deep well socket, remove the four metric bolts from the back side of bumper bracket, both sides and pull metal bumper forward, set aside.

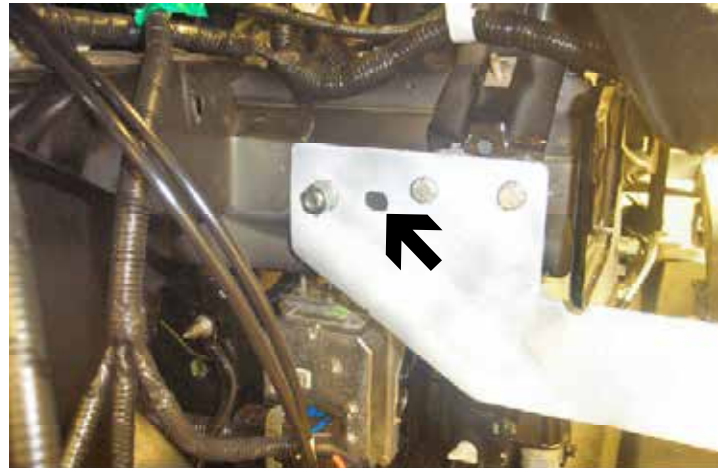
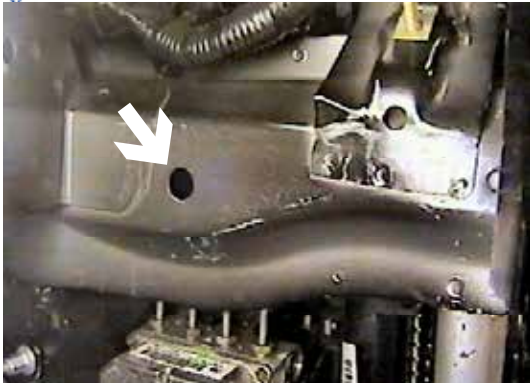


16. Locate front washer reservoir bracket on the passenger's side, measure 1/2" from bracket edge and up to bumper bracket, remove this portion of bracket with the reciprocating saw. This will prepare area for baseplate installation.





Strong As An Ox™



17. Align slotted hole of baseplate with horn mount stud and the back hole of the baseplate to align with existing hole on the driver's side. Then slide passenger's side of baseplate up to align with existing hole in frame. While maintaining a level position with baseplate to vehicle, insert 1/2" bolt plate into end of frame rail and into back existing hole and baseplate. Tighten 1/2" hex nut and lock washer, both sides (**See photo on last page for clearance constraints of baseplate on driver's side**). Using the baseplate as a template, drill the two front holes with the 13/32" drill bit, both sides (**Be sure baseplate is level with vehicle**). Insert 3/8" nut plate into end of frame rail to align with drilled holes, tighten 3/8" hex bolt and lock washer, according to the drawing on the last page. **Be sure to use loctite on all bolts before tightening. Tighten all bolts according to Torque Chart in General Instruction Sheet. Baseplate is painted white to increase visibility in photo.**

18. Reinstall horn bracket, air filter assembly and hose, metal bumper, air dams and washer reservoir. **Be sure all electrical components and hoses are plugged in properly.** Reinstall fascia and plug in electrical connections on all light assemblies.



19. The dimensional variations between otherwise identical cars can be considerable. While the location and size of the holes in the baseplate were designed to allow for easy installation, it may be necessary to file a hole slightly to allow a bolt to clear.

20. Install the tow bar and safety cables according to the instructions included in their packages.

21. Do **not** substitute other devices if the tow bar pin and clip are lost.

22. **DEALER OR INSTALLER: BE CERTAIN THE USER RECEIVES THE INSTRUCTION SHEET.**

IMPORTANT: Use only genuine factory replacement parts on your Base Plate. Do not substitute homemade or nontypical parts. If a bolt is lost or in need of replacement, for your safety and the preservation of your Base Plate, be sure to use a replacement bolt of the same grade (Usually Grade 5, refer to parts list). Repair parts may be ordered through your nearest **Blue Ox** dealer or distributor.



Strong As An Ox™

Tools Required

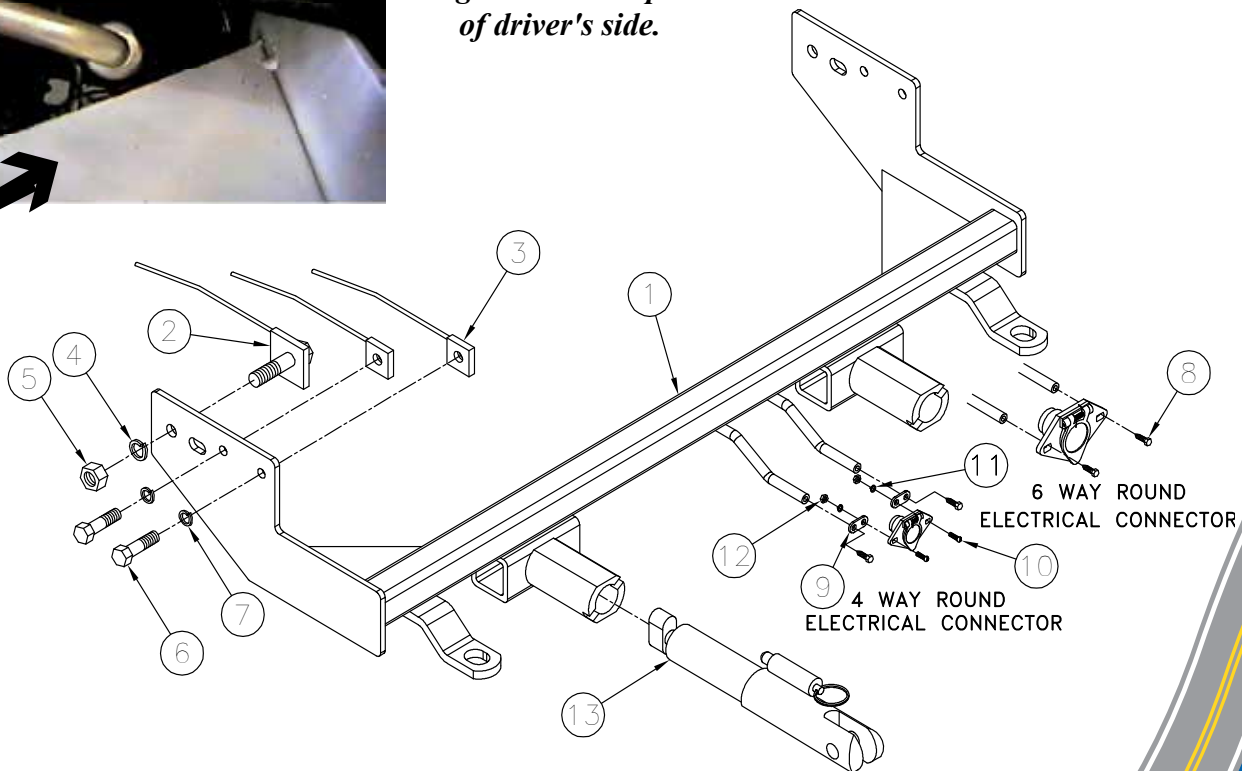
- | | | |
|-----------------------|-----------------------|------------------|
| 10MM Socket | 13MM Deep Well Socket | 9/16" Socket |
| 3/4" Socket | Loctite Red | 13/32" Drill Bit |
| Phillips Screw Driver | Flat Screw Driver | Utility Knife |
| Reciprocating Saw | | |

Parts List

Ref. No.	Qty.	Part No.	Description
1	1	61-6031	Weldment, Base Plate, BX1659
2	2	61-4593	1/2-13 x 1 1/4" Bolt Plate, w/ 10" Wire
3	4	61-5208	3/8" Nut Plate, with 14" Wire
4	2	203-0012	1/2" Lock Washer, ZP
5	2	202-0005	1/2-13 Hex Nut, ZP
6	4	201-0368	3/8-16 x 1 1/4 Bolt, Grd. 5, ZP
7	4	203-0010	3/8 Lock Washer, ZP
8	2	201-0979	#12-14 x 1" Self Drilling Screw, ZP
9	2	101-5822	Adapter, 4 Way Connector
10	2	201-0192	#10-32 x 1/2 Slot, Rd. Hd. Screw
11	2	203-0054	#10 Lock Washer
12	2	202-0047	#10-32 Hex Nut
13	2	62-3469	Attachment, Assembly, SF/ LB (R)
	2	226-0046	Baseplate Safety Cable, 36" CL III (Not Shown)
	2	229-0359	Quicklink, 3/8, ZP (Not Shown)
	2	290-0437	Receiver, Cap Plug (BLK) (Not Shown)



Be aware of clearance between coolant line and the gusset on baseplate of driver's side.



General Information

1. Ensure that your product(s) are registered online at www.blueox.com. It is crucial to register your product(s) so that you may be alerted of product offerings, updates, upgrades, maintenance and safety bulletins, and/or recalls.
2. **It is the owner's responsibility to inspect all towing equipment for cracked welds, missing or worn parts and loose bolts before each towing trip.** Be sure to use Loctite® Red on all bolts and tighten to the recommended specifications.
3. **It is the owner's responsibility to hook up all towing equipment per manufacturer's instructions/recommendations.**
4. Remove the attachment tabs when not in use (if applicable).

Notice To Baseplate Installer

1. It is YOUR responsibility to watch for:

- Oil cooler and air conditioner lines
- Electrical wires and hoses
- Missing parts or attaching points on the frame

** If the baseplate is improperly installed and is against a wire or hose, it could cause fluid leaks or electrical shorts some time after the actual baseplate installation.

Permanent Baseplate Safety Cable Installation

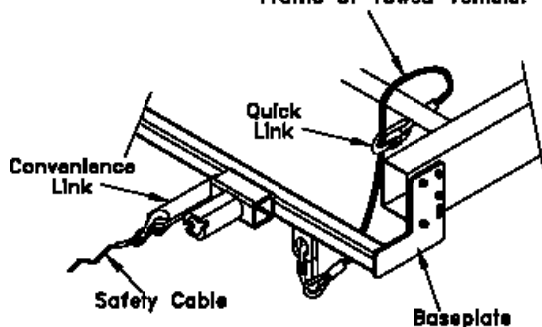
Permanent baseplate safety cables are strongly recommended when towing a vehicle with a tow bar. The principle function of the permanent baseplate safety cables is to prevent the towed vehicle from breaking loose in the event the connection between the frame of the towed vehicle and the baseplate fails or becomes disconnected. The cables must be connected from the baseplate to the frame rail or cross member of the vehicle's frame. The illustrations below show the possible arrangements recommended by Blue Ox®. Each permanent baseplate safety cable must have an adequate weight rating for the towing system. The weight rating of the two (2) cables together will not qualify.

Do not mount the permanent baseplate safety cables against wires, hoses or brake lines.

These permanent baseplate safety cables should remain installed as long as the baseplate is installed on the vehicle. Permanent baseplate safety cables are to be used in conjunction with, and NOT a replacement for legally required safety cables attaching the towed vehicle to the towing vehicle.

OPTION #1

Permanent Baseplate Safety Cables to Cross Member or Frame of Towed Vehicle.



OPTION #2

Permanent Baseplate Safety Cables to Cross Member or Frame of Towed Vehicle.

