

# Box Rack Installation Instructions

P/N 210586: 07-18 Mercedes Sprinter Rear Door Box Rack, Pass. Side

## Before you begin:



- *Stainless steel (SS) hardware may bind together when tightening — apply an anti-seize assembly lubricant to the threads of each SS bolt before assembly.*
- *Do NOT use an impact gun if this symbol is shown – doing so may strip or cross-thread bolts.*
- **Maximum load capacity is 100 lbs on rack while travelling**

## Required Tools:

- Standard and metric wrench set
- Standard and metric socket set
- Torx bit set
- Isopropyl Alcohol
- Baby Soap or Dish Soap
- Clean Rag
- Painter's Tape (optional)
- Spray Bottle (optional)
- Heat Gun or Blow Dryer (optional)

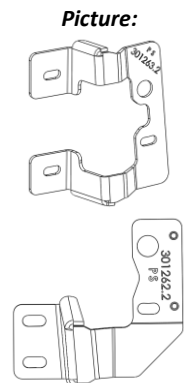


## Included Hardware:

P/N	Description	Quantity
70024	3/8"-16 Nylock Nut	1
70028	3/8" ID Washer	2
70031	Bolt, Hex Head, SS, 3/8-16 x 2"	1
70246	Loctite Anti-Seize Packet	1
70344	5/16"-18 x 1" Button Head Bolt, BLACK OXIDE, SS	4
70345	5/16" ID Washer, BLACK OXIDE, SS	8
70346	5/16"-18 Nylon-Locking Nut, BLACK OXIDE, SS	4
70124	M8-1.5 x 40 mm	4
400999	Impact Resistant Protective Tape	12"

## Additional Parts:

Part Number:	Description:	Quantity:
301263.2 / 350650	Upper Hinge Bracket, <b>Pass</b>	1 ea.
301262.2 / 350652	Lower Hinge Bracket, <b>Pass</b>	1 ea.



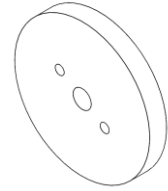
300997 Inner Door Backing Plate

1 ea.



350697 Door Backing Plate

1 ea.



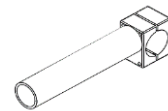
301258 M8 Machined Spacer

2 ea.



350662 Bolt-On Tire/Box Support (preassembled)

2 ea.



### **Box Rack Installation:**

#### **Protective Tape Application:**

1. Cut the supplied protective tape into shape using the templates at the end of the installation instructions to provide additional protection for the door. Each bracket is designed to contact only at the door edges, but enough protective tape is provided to cover the entire overlapping area. Make sure that the sticky side is oriented correctly while cutting and applying (white backing towards vehicle). Reference Figure 1 & 2.
2. Dry-fit the corresponding brackets around the door in each location to find the desired position for the protective tape on the vehicle. Use painter's tape to outline application area of protective tape if desired.



Figure 1: Protective Tape Locations on Door

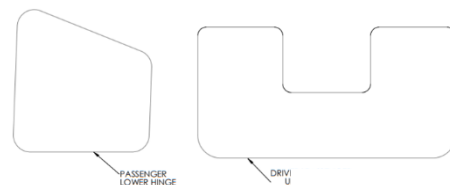


Figure 2: Template Examples (See End of Instructions for 1:1)

3. Apply the protective tape to each location, one at a time, using the method described below (wet application technique).

4. Prepare the surface for protective film application:
  - a. Clean the area around each hinge with isopropyl alcohol and rag.
  - b. Wash your hands thoroughly.
  - c. Do not apply in direct sunlight
  - d. Apply in temperatures above 60°F.
5. Spray the surface thoroughly with water and do not wipe down the surface.
6. Remove the liner from the protective tape while spraying the adhesive side with water.
7. Apply the protective tape to the outside of the door at either the upper hinge, lower hinge, or center latching location. On the hinge side of the door, leave approximately ½" of tape overhanging to be wrapped around the edge of the door (contact zone). Leave the tape overhanging for now.
8. Squeegee all air bubbles out starting at adhered edge. Press with your fingers first, and squeegee only if needed.
9. Wrap remaining protective tape around the door edge.
10. The adhesion process can be speed up by creating a 3:1 water-alcohol solution (3-parts water, 1-part alcohol) and spraying between the door and tape (lift section up and spray adhesive side).
11. If desired, use a heat gun or blow dryer to conform the tape to curved areas further.

**Bracket Installation:**

12. Install the upper hinge bracket by:

- a. Remove only the lower torx bolt, *on the door*.



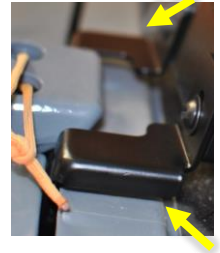
- b. Fit the upper hinge bracket over the hinge.



- c. Rotate into place.



- d. Fit the bracket over the upper torx bolt and rotate into desired position. Make sure the bracket is not contacting the sheet metal on the other side of the door, at either the top or the bottom of the bracket.



- e. Install M8 torx bolt into the bottom hole. Tighten the bolt to ~17 ft-lbs (23 Nm).



- f. Remove upper torx bolt and install [301258] **M8 machined spacer**. Install M8 torx bolt.



- g. Tighten down second bolt to ~17 ft-lbs (23 Nm)



13. Install the lower hinge bracket following the same procedure detailed in Step 12 and by installing over the hinge from the bottom up. Reference Figure 3.

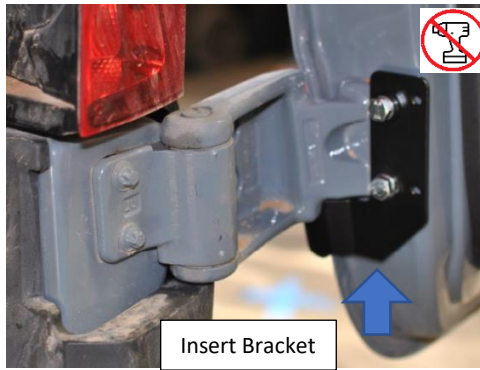


Figure 3: Lower Bracket Installed

**Box Rack Installation:**

14. Remove torx screws that secure inner door handle to door. (See Figure 4) Move door handle out of the way to expose door magnet hardware.



Figure 4: Inner Door Handle Removal

15. Remove nut that secures factory door magnet and set parts aside.
16. Install the rack using the provided hardware, keeping in mind the following:
  - a. **Be sure to apply anti-seize on all bolts prior to threading on nut fasteners.**
  - b. Loosely install all bolts through the mounting locations before tightening to ensure proper alignment.
  - c. Use the 5/16-18 x 1" bolts for the upper and lower hinge brackets and the 3/8" bolt for the door mount.
17. Use the inner door bracket and door backing plate when installing the center mount (reference Figure 5 & 6).

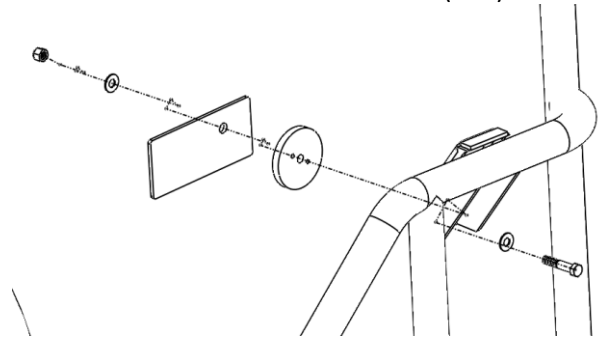


Figure 5: Center Mount Hardware Assembly (No Door Shown)

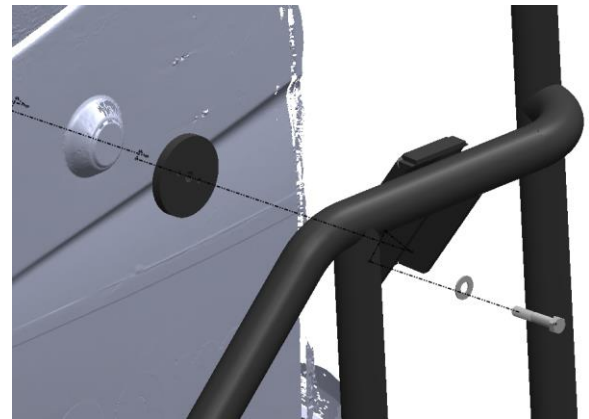


Figure 6: Center Mount Hardware Assembly (Outside of Door)

18. Verify rack frame is in correct position and tighten 3/8" nut and bolt first. Proceed to tighten door hinge brackets last.
19. With all bolts tightened, verify the hinge brackets have appropriate clearances with the body while slowly opening and closing both rear doors. Adjust as needed.
20. Reinstall inner door handle from Step 14.

**Box Support Installation:**

21. Loosely install the bolt-on box supports onto the bottom crossmember of the rack as shown in Figure 7.



Figure 7: Bolt-On Supports Loosely Bolted to Lower Crossmember

PRO TIP: Start with support closest to tail light – sliding support as close to the tail light as possible. Use the distance between the center post and the bolt-on support to install the second support equal distance from the center.

PRO TIP: Reference Figure 8b for suggested box mounting orientation.

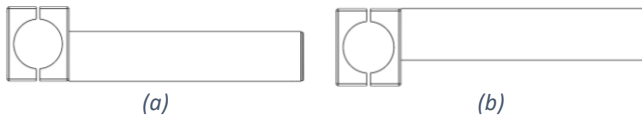
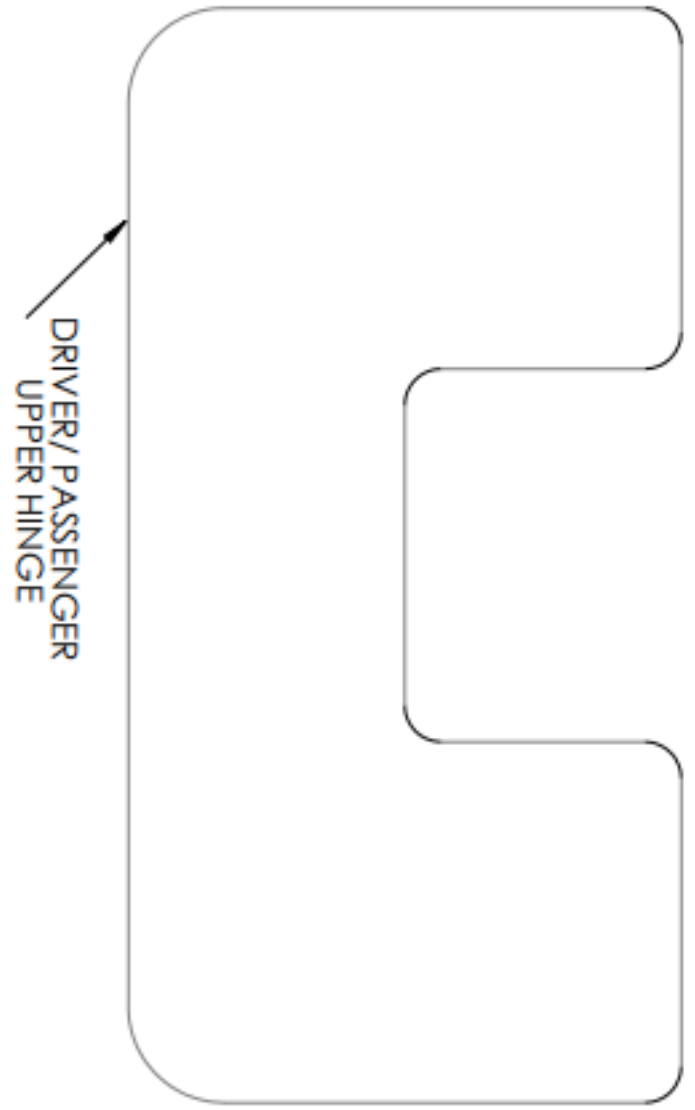
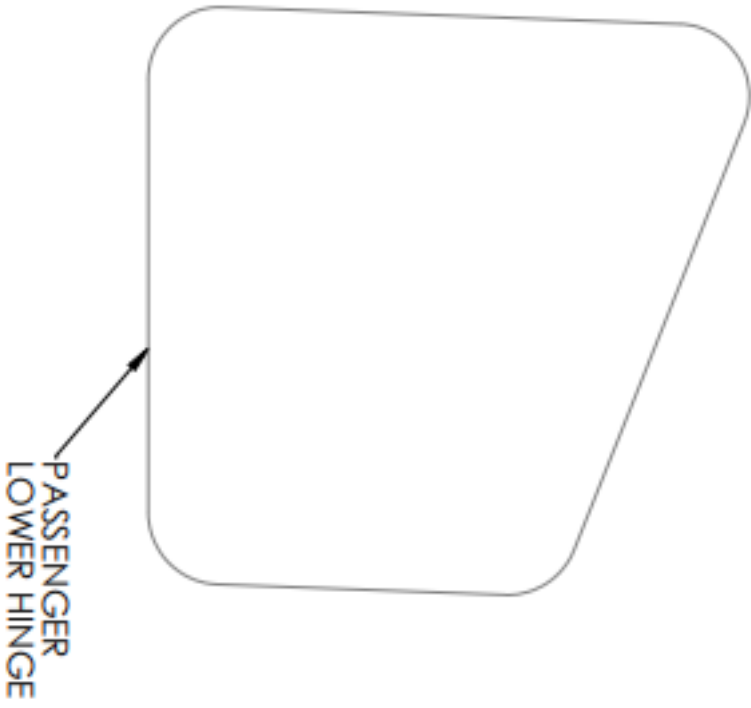


Figure 8: Suggested Orientation for Tire (a) and Box (b)

22. Repeat for the side opposite of the center post being sure that the spacing is equal from the center post, and the orientation is the same for both supports.
23. Rotate into desired position (level with ground) and tighten.
24. Operate door carefully and verify that no contact occurs between box and vehicle body.
25. Check all mounting hardware after first 100 miles of driving and periodically after.
26. Your new Aluminess box rack is now installed, enjoy!





Aluminess Products, Inc. (Aluminess) Warranty

1. Lifetime Warranty. Aluminess provides a lifetime warranty of its products to the original retail purchaser provided such products are installed correctly according to the official Aluminess installation instructions. Any modification to the original product design, function or use of any Aluminess products will void the Aluminess warranty. Aluminess will have sole discretion to determine warranty eligibility for any and all Aluminess products sold to any purchaser.

2. Limited Remedies. Subject to any limitations and exclusions described herein, and subject to Aluminess' determination of warranty eligibility, Aluminess will remedy defects in product materials and/or workmanship of any product by repairing or replacing such defective product, which shall be within Aluminess' sole discretion, without charge for parts or labor. Aluminess may elect in its sole discretion not to replace a defective product and issue the purchaser a refund equal to the purchase price of any defective product or purchaser may elect to receive a credit (equal to such refund) toward the purchase of new Aluminess products. Repair or replacement of a defective product or providing a refund or credit to purchaser will be purchaser's exclusive remedy under this warranty. Damage to a purchaser's vehicle, cargo and/or any other person or property is expressly excluded from the Aluminess warranty.

3. Modification. Aluminess products are designed to be mounted to factory equipped vehicles. Aftermarket additions to such vehicle may or may not require modification of an Aluminess product. The Aluminess warranty does not extend to any Aluminess products that are modified to fit around other otherwise accommodate or be compatible with any aftermarket vehicle accessories or alterations. Aluminess does not guarantee fitment with any other aftermarket accessories or modified vehicle, and it is up to purchaser to determine fitment prior to purchasing any Aluminess product.

4. Damage. Damage to Aluminess products due to normal wear and tear, including, but not limited to, cosmetic issues and superficial scratches, or structural damage to an Aluminess product in connection with any vehicle collisions or other structural degradation in connection with the use of such vehicle (on road or off road) will not be covered by the Aluminess warranty. Additionally, any product user's misuse, neglect, overloading, improper maintenance or improper installation or repair of any Aluminess products are not covered under the Aluminess warranty.

5. Use of the Products. Aluminess products are designed for off road vehicle use. Installing Aluminess products on a vehicle may exceed the factory designed capabilities of such vehicle and could potentially lead to vehicle damage. Aluminess will not be responsible for any damage caused to a purchaser or user's vehicle or any vehicle accessories caused by the use of any Aluminess products. It is to the sole responsibility of purchaser to inspect and ensure that the intended vehicle and Aluminess products are suitable and compatible for travel on road and off road. No seller nor any manufacturer of Aluminess products will be liable for any loss, damage or injury directly or indirectly arising from the use of any Aluminess products. Before using any Aluminess products, the purchaser or user will determine the suitability of the product(s) for their intended use(s) and the purchaser or user shall assume all responsibility and risk in connection therewith.

6. DISCLAIMER. THE ALUMINESS WARRANTY IS EXPRESSLY MADE IN LIEU OF ANY AND ALL OTHER WARRANTIES, AND EXCEPT FOR THE ALUMINESS WARRANTY SET FORTH HEREIN, ALUMINESS MAKES NO WARRANTY WHATSOEVER WITH RESPECT TO ANY ALUMINESS PRODUCT, INCLUDING ANY WARRANTY OF MERCHANTABILITY AND FITNESS FOR A PARTICULAR PURPOSE, WHETHER EXPRESS OR IMPLIED BY LAW, COURSE OF DEALING, COURSE OF PERFORMANCE, USAGE OF TRADE, OR OTHERWISE.

EXCEPT FOR PURCHASER'S LIMITED REMEDIES SET FORTH HEREIN, IN NO EVENT WILL ALUMINESS BE LIABLE FOR ANY LOST PROFITS, LOST SALES, OR FOR ANY CONSEQUENTIAL, DIRECT, INDIRECT, INCIDENTAL, SPECIAL, EXEMPLARY OR PUNITIVE DAMAGES OR FOR ANY OTHER DAMAGES OF ANY KIND OR NATURE.

7. Compliance. Aluminess cannot guarantee that its products comply with all Federal, State, and/or local laws. Purchaser is advised to review local vehicle codes for compatibility prior to purchase to ensure that the installation and use of any Aluminess products does not violate any applicable laws.

8. Warranty Claim Submission. Purchaser will responsible for returning any defective product to Aluminess for warranty consideration and purchaser may be responsible for all costs associated with shipping the product to and from Aluminess. Prior to returning any product for warranty, purchaser must contact Aluminess Products Inc. for proper authorization