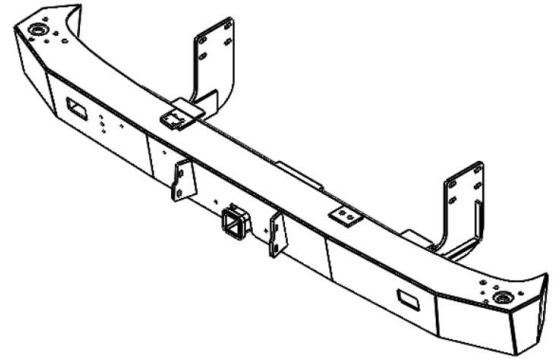




(210284.1) REAR BUMPER INSTALLATION INSTRUCTIONS **2007-2014 Mercedes Sprinter - with hitch, no swing arms**

Please read before beginning

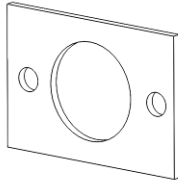
- *Stainless steel hardware may bind together when tightening—It is recommended that you apply an anti-seize assembly lubricant to the threads of each bolt before assembly*
- *This installation requires two people*
- *Unless otherwise specified, refer to the general torque value at the end of the instructions for specified torque values*



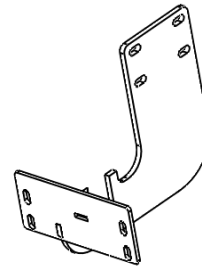
Required tools

- Standard and metric wrench set
- Allen wrench set
- Torx-head (6-point star) wrench set
- Flat-head screwdriver (used to remove stock plastic fasteners)
- Phillips-head Screwdriver

Included Parts/Subassemblies



x4
**Parking Sensor
Brackets (if applicable)**



x2
Mounting Blade

Included hardware

	<u>Quantity</u>
○ 70185 -- 7/16-14 x 4-1/2 Hex head bolts	8
○ 70056 -- 7/16-14 Nylock Nuts	8
○ 70057 -- 7/16 Flat Washers	16
○ 70001 -- #8-32 nylock nut	8



- | | |
|--|---|
| ○ 70002 -- #8 ID Washer | 8 |
| ○ 70077 -- #8-32 x 3/4" panhead Philips bolt | 8 |
| ○ 70039 -- Washer, 1/4" ID x 1" OD | 8 |
| ○ 70246 -- Antiseize Packet, 2g | 1 |

Assembly instructions

1. Your new Aluminess Rear Bumper will work with the factory plastic bumper. This is to ensure proper function of lane change sensors if your vehicle is equipped with them.
2. If you have a factory step bumper or a receiver you will need to remove them when you are completing the following steps to install the Aluminess Hitch.
3. Your Aluminess bumper and hitch will most likely ship completely assembled. If it is not fully assembled then bolt the bumper to the hitch using the 1/2" hardware going from the back of the bumper into the hitch, and the 3/8" hardware going from the top of the bumper to the top of the swing arm plate.
 - a. Ensure that you mount your license plate and license plate light *before* you install the bumper, as it will be near impossible to install the license plate after the bumper is installed.
4. With someone assisting you by holding up the trailer hitch and bumper assembly, mount the hitch to the frame using the 7/16" Bolts. If your Sprinter has the factory backing plate you can retain it and use it with the washers on the inside of the frame
 - a. Some sprinters have only 3 bolts supporting the hitch in which case a 4th hole will need to be drilled. Fasten down the provided bolt for this additional hole that needs to be drilled.
5. You may have to push the exhaust out of the way in order to slide the passenger side bracket assembly, so **make sure that the car is off, and wait an ample time after running the engine to ensure that the exhaust pipe is cold— otherwise you risk burning yourself!**



Figure 2: Aluminess Hitch with Factory Backing Plate

6. Make sure the bumper is slid as far to the rear of the vehicle as possible. You will also need to keep the bolts loose at this time so that the bumper can pivot forward and back.
7. Set the bumper level and tighten the mounting bolts.
8. If you have a hitch wiring electrical box on your vehicle, you can bolt it to the front face of the Aluminess bumper with the original hardware that mounted it to the stock hitch. There are two



holes on either side of the provided receiver hitch. You can bolt the electrical box through one of these holes.

9. If your vehicle is equipped with rear parking sensors, there are sensor holes pre-drilled into the Aluminess bumper. Remove the factory sensors and sensor retainers from the plastic factory bumper. Remove the plugs in the Aluminess bumper and use the included sensor plates to attach the factory sensor retainer to the Aluminess bumper with the included #8 hardware.
10. The bumper is now installed—check the mounting hardware after 100 miles of driving to ensure that nothing has come loose due to vibration

General Torque Values			
Size	Stainless Steel	Zinc	Grade 8
#6-32	10 lb-ft	--	--
#8-32	18.4 lb-ft	--	--
#10-32	26.6 lb-ft	--	--
1/4"-20	5.3 lb-ft	7.8 lb-ft	9 lb-ft
5/16"-18	10.9 lb-ft	16 lb-ft	18 lb-ft
3/8"-16	19.4 lb-ft	28.3 lb-ft	33 lb-ft
7/16"-14	31 lb-ft	45 lb-ft	52 lb-ft
1/2"-13	47 lb-ft	69 lb-ft	80 lb-ft
M6	4.7 lb-ft	5.8 lb-ft	--
M8	11.3 lb-ft	14.1 lb-ft	--
M10	22.3 lb-ft	27.9 lb-ft	--
M12	38.9 lb-ft	48.7 lb-ft	--



Aluminess Products, Inc. (Aluminess) Warranty

1. Lifetime Warranty. Aluminess provides a lifetime warranty of its products to the original retail purchaser provided such products are installed correctly according to the official Aluminess installation instructions. Any modification to the original product design, function or use of any Aluminess products will void the Aluminess warranty. Aluminess will have sole discretion to determine warranty eligibility for any and all Aluminess products sold to any purchaser.
2. Limited Remedies. Subject to any limitations and exclusions described herein, and subject to Aluminess' determination of warranty eligibility, Aluminess will remedy defects in product materials and/or workmanship of any product by repairing or replacing such defective product, which shall be within Aluminess' sole discretion, without charge for parts or labor. Aluminess may elect in its sole discretion not to replace a defective product and issue the purchaser a refund equal to the purchase price of any defective product or purchaser may elect to receive a credit (equal to such refund) toward the purchase of new Aluminess products. Repair or replacement of a defective product or providing a refund or credit to purchaser will be purchaser's exclusive remedy under this warranty. Damage to a purchaser's vehicle, cargo and/or any other person or property is expressly excluded from the Aluminess warranty.
3. Modification. Aluminess products are designed to be mounted to factory equipped vehicles. Aftermarket additions to such vehicle may or may not require modification of an Aluminess product. The Aluminess warranty does not extend to any Aluminess products that are modified to fit around other otherwise accommodate or be compatible with any aftermarket vehicle accessories or alterations. Aluminess does not guarantee fitment with any other aftermarket accessories or modified vehicle, and it is up to purchaser to determine fitment prior to purchasing any Aluminess product.
4. Damage. Damage to Aluminess products due to normal wear and tear, including, but not limited to, cosmetic issues and superficial scratches, or structural damage to an Aluminess product in connection with any vehicle collisions or other structural degradation in connection with the use of such vehicle (on road or off road) will not be covered by the Aluminess warranty. Additionally, any product user's misuse, neglect, overloading, improper maintenance or improper installation or repair of any Aluminess products are not covered under the Aluminess warranty.
5. Use of the Products. Aluminess products are designed for off road vehicle use. Installing Aluminess products on a vehicle may exceed the factory designed capabilities of such vehicle and could potentially lead to vehicle damage. Aluminess will not be responsible for any damage caused to a purchaser or user's vehicle or any vehicle accessories caused by the use of any Aluminess products. It is to the sole responsibility of purchaser to inspect and ensure that the intended vehicle and Aluminess products are suitable and compatible for travel on road and off road. No seller nor any manufacturer of Aluminess products will be liable for any loss, damage or injury directly or indirectly arising from the use of any Aluminess products. Before using any Aluminess products, the purchaser or user will determine the suitability of the product(s) for their intended use(s) and the purchaser or user shall assume all responsibility and risk in connection therewith.
6. DISCLAIMER. THE ALUMINESS WARRANTY IS EXPRESSLY MADE IN LIEU OF ANY AND ALL OTHER WARRANTIES, AND EXCEPT FOR THE ALUMINESS WARRANTY SET FORTH HEREIN, ALUMINESS MAKES NO WARRANTY WHATSOEVER WITH RESPECT TO ANY ALUMINESS PRODUCT, INCLUDING ANY WARRANTY OF MERCHANTABILITY AND FITNESS FOR A PARTICULAR PURPOSE, WHETHER EXPRESS OR IMPLIED BY LAW, COURSE OF DEALING, COURSE OF PERFORMANCE, USAGE OF TRADE, OR OTHERWISE.
EXCEPT FOR PURCHASER'S LIMITED REMEDIES SET FORTH HEREIN, IN NO EVENT WILL ALUMINESS BE LIABLE FOR ANY LOST PROFITS, LOST SALES, OR FOR ANY CONSEQUENTIAL, DIRECT, INDIRECT, INCIDENTAL, SPECIAL, EXEMPLARY OR PUNITIVE DAMAGES OR FOR ANY OTHER DAMAGES OF ANY KIND OR NATURE.
7. Compliance. Aluminess cannot guarantee that its products comply with all Federal, State, and/or local laws. Purchaser is advised to review local vehicle codes for compatibility prior to purchase to ensure that the installation and use of any Aluminess products does not violate any applicable laws.
8. Warranty Claim Submission. Purchaser will responsible for returning any defective product to Aluminess for warranty consideration and purchaser may be responsible for all costs associated with shipping the product to and from Aluminess. Prior to returning any product for warranty, purchaser must contact Aluminess Products Inc. for proper authorization.