



baja designs.
The Scientists of Lighting



Installation Manual
2013 Triumph Tiger 800XC
(PN: 49-8003, 55-8003)

Baja Designs • 185 Bosstick Blvd. • San Marcos • CA • 92069



baja designs.
The Scientists of Lighting

Phone 760.560.2252 • Fax 760.560.0383 • info@bajadesigns.com

www.bajadesigns.com

LIMITED LIFETIME WARRANTY

Baja Designs, Inc./LaPaz Light Systems. This warranty includes coverage of HID Bulbs and Ballasts. If you discover a defect in a product covered by this warranty, we will repair at our option using new or refurbished components, or if repair is not possible, replace the item.

EXCLUSIONS

This warranty covers defects in manufacturing discovered while using the product as recommended by the manufacturer. The warranty does not cover loss or theft, nor does coverage extend to damage caused by rocks, crashes/collisions, misuse, abuse, unauthorized modification, improper storage conditions, lightning, or natural disasters. The warranty does not cover parts that are subject to normal wear and tear replacement requirements.

LIMITS OF LIABILITY

Should the product(s) fail, your sole recourse shall be repair or replacement, as described in the preceding paragraphs. We will not be held liable to you or any other party for any damages that result from the failure of this product. Damages excluded include, but are not limited to, the following: lost profits, lost savings, medical costs, damage to other equipment, and incidental or consequential damages arising from the use, or inability to use this product. In no event will Baja Designs, Inc./LaPaz Light Systems be liable for more than the amount of your purchase price, not to exceed the current list price of the product, and excluding tax, shipping and handling charges. Baja Designs, Inc./LaPaz Light Systems disclaims any other warranties, express or implied. By installing or using the product, the user accepts all terms described herein.

HOW TO OBTAIN SERVICE UNDER THIS WARRANTY

Contact us using one of the following methods:

Phone: (760) 560-2252 or email: info@bajadesigns.com

REQUIREMENTS

Within 90 days of purchase return ground shipping costs will be paid for by Baja Designs, Inc./LaPaz Light Systems. After 90 days from purchase, return shipping costs to be paid for by customer.

Indemnification: Buyer hereby acknowledges off road driving/riding is a dangerous sport and that the products and/or supplies purchased from Baja Designs are used in an



inherently dangerous activity that may endanger life and limb; and in no event shall the seller, or the seller's heirs and assigns, be held liable for consequential damages, nor shall seller's liability on any claim for damages arising out of or connected with the sale, delivery, or use of purchased products and/or supplies exceed the purchase price of the products and/or supplies.

Parts List

QTY:	Description
2	Squadron or S2 Pro
2	2013 Triumph Tiger 800XC Specific Mounts
1	Wiring Harness
1	Peanut Bracket/Switch (Bent 60 Degrees Pointed To The Left)
2	Splice Connectors
2	M6x18 Socket Head Cap Screw
6	8" Zip tie

Please read this manual prior to installation.

Thank you for purchasing the Baja Designs 2013 Triumph Tiger 800 Adventure Bike Kit. This kit has been designed to power two Squadron's or two S2 Pro's via an on/off switch which we have included. Our wiring harness also has a bypass which allows you to turn on your high beams without the auxiliary lights coming on.

Kit Notes:

- **This kit is designed specifically for adventure motorcycles equipped with a DC charging system that will sufficiently power lighting while maintaining battery charge (check your motorcycle manual). If you have questions or problems, please contact Baja Designs.**



baja designs.
The Scientists of Lighting

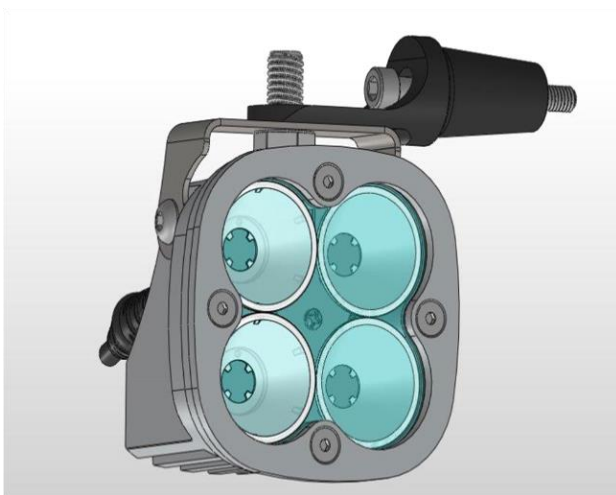
Light/Bracket Installation

Step 1: Start by removing the 6mm stock bolt located along the side of your bikes fairing. Once you have removed the 6mm stock bolt, locate the bike specific mounts and M6x25mm Socket Head Cap Screw and install the mounts according to the image below.



Step 2: Now that the mounting bolts have been installed and tightened you can begin mounting your Squadrons or S2 with a 3/8" socket and open-end wrench.

Note: With the newly revised laser cut and powder coated steel brackets the lights may be mounted in the upright position as well as upside-down as pictured below. It is recommended to mount them in the upright position to avoid rotating the lens to the upright position.



Newly revised bracket (Installs in the same orientation)

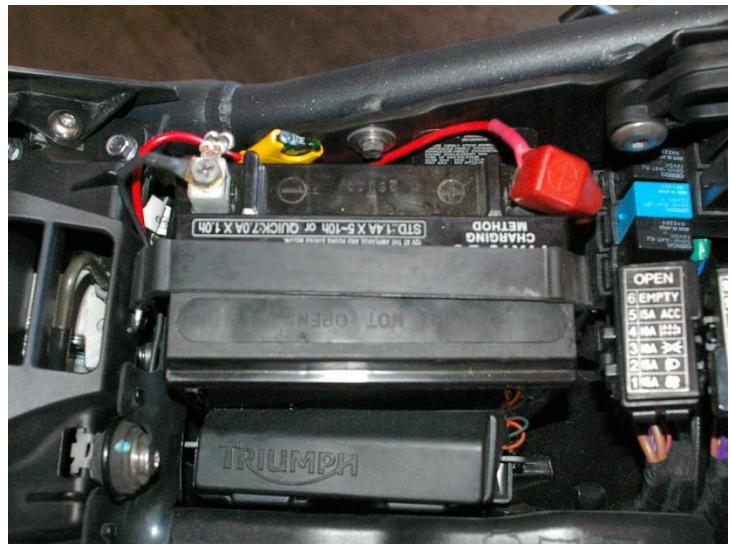


Wiring

When installing the Baja Designs specific wiring harness, make sure you pay close attention to the components around the harness.

Step 1: Attach the positive (+) and negative (-) terminal wires from the Baja Designs' fused harness. to your bikes' battery terminals

Step 2: Carefully route the battery lead harness behind your stock headlight so the relay, auxiliary light connections and main wiring harness connection plugin behind the stock headlight.



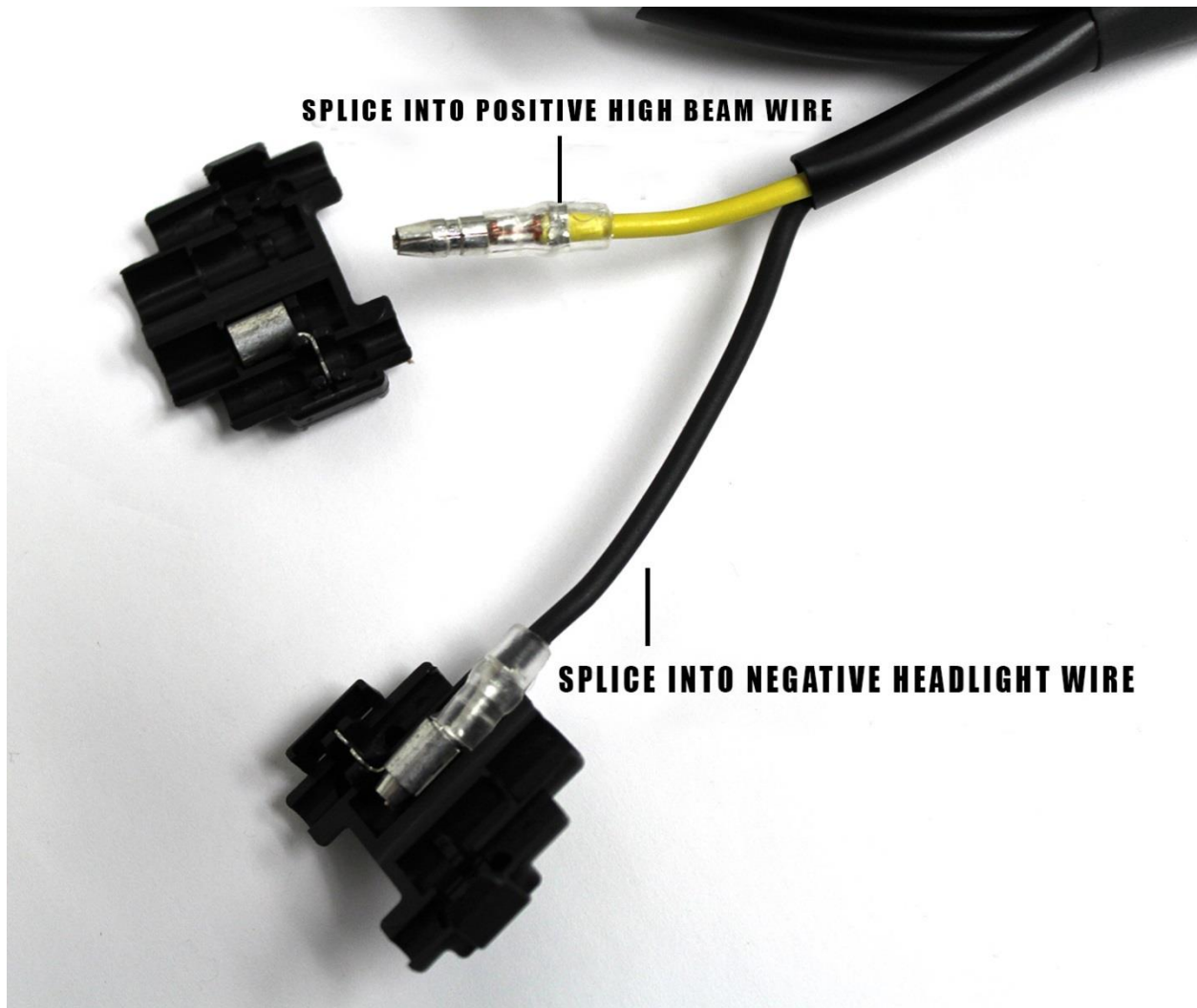
Step 3. Once the battery terminal harness has been safely routed towards the front of your bike, you can begin installing the peanut switch and bracket.

****There are two different options for tuning the lights on and off. Through the stock high beam switch or through the red push button switch provided by Baja Designs. If you chose to wire through the red push button switch, skip to **step 5**.

Step 4. Locate the black and yellow wire coming off of the relay. The black is going to splice into your high beam ground coming off of the stock headlight. The yellow wire will then splice into your high beam power, coming off the stock headlight. This way will allow the lights to come on every time you turn your stock high beam on.



baja designs.
The Scientists of Lighting



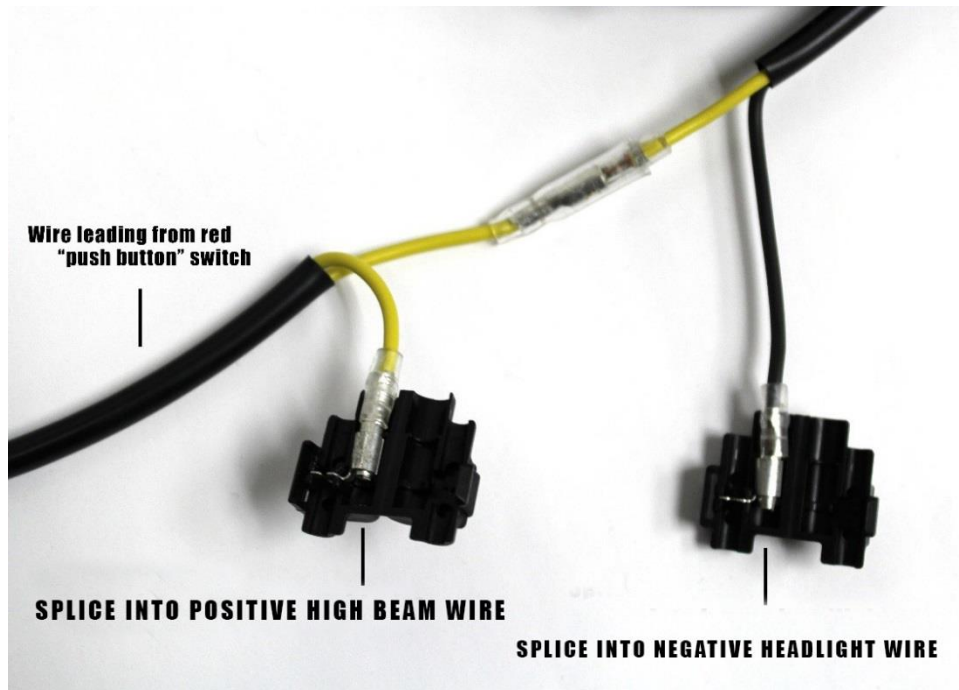
Step 5. Install the peanut bracket/switch on the left handlebar mirror clamp. Mounting the switch in this location allows you to easily turn the Baja Designs Lights on without removing your hands from the handlebars. Note: You may have to bend the peanut bracket down ever so slightly once the Allen bolt has been secured.



Step 6. Locate the black and yellow wires coming off the relay and the red push button switch with two



yellow wires included in the kit. Splice the black wire coming off the relay into the ground wire coming off the headlight. Next, plug the male yellow bullet into the female bullet coming off the red push button. Take the second yellow wire coming off the red push button and splice that into the high beam + wire coming off the stock headlight. This way allows you to use stock high/low beam functionality with the option of your Baja Designs Lights on with your high beam when you push the red push button.



(optional: If you would like to access your LED Lights in low beam or high beam with the red push button switch, splice the yellow coming off the red switch into a key switch constant hot. This will allow you to turn the lights on with the push button switch no matter the stock handlebar switch position.)

Step 7. Now that your harness has been cleanly routed, you can plug in your two auxiliary lights and reconnect the two-pin white connector on your main harness.

Baja Designs • 185 Bosstick Blvd. • San Marcos • CA • 92069

Phone 760.560.2252 • Fax 760.560.0383 • info@bajadesigns.com

www.bajadesigns.com