



2019-On Mercedes Sprinter A-Pillar Kit (44-7857, 44-7858, 44-7859, 44-7860)



2950 Norman Strasse Rd. • San Marcos • CA • 92069

Phone 760-560-2252x3 • Fax 760-560-0383

info@bajadesigns.com • www.bajadesigns.com



baja designs[®]
The Scientists of Lighting

LIMITED LIFETIME WARRANTY

Baja Designs proudly offers a LIFETIME WARRANTY against manufacturer's defect on all the products that we manufacture.

These are comprehensive warranties; other than the exclusions below – you're covered. If your LED or HID bulb burns out, you're covered. Additionally, cutting off our connector or changing your lenses does not automatically void your warranty.

Exclusions:

Installation errors, abuse, misuse or crash damage. You must be the original owner of the product and can supply proof of purchase.

Baja Designs manufactures its own products as well as resells products manufactured by others. Baja Designs makes no express or implied warranties on products not manufactured by Baja Designs including without limitation any warranties or merchantability and fitness for a purpose. We will, however, pass on all warranties made by the manufacturer, who has sole responsibility for performing such warranties.

Baja Designs will pay the freight if your product is less than 90 days old, otherwise defective products must be returned to Baja Designs, Inc., freight prepaid. At our option, we will repair or replace items in question and return them at no charge. If the identical product is no longer available, we will replace with a similar product of equal value. Baja Designs Inc. will not be responsible for any indirect or consequential damages in connection with defective merchandise.

Items purchased through a Baja Designs authorized dealer must be returned through the dealer. Only available on LED auxiliary lights and product must be in sellable condition at MSRP. Product that has been damaged in any way after the original purchase date will be excluded from this guarantee.

Indemnification:

Buyer hereby acknowledges off-roading, racing and driving at night are dangerous activities and that the products and/or supplies purchased from Baja Designs are used in an inherently dangerous activity that may endanger life and limb; and in no event shall the seller, or seller's heirs and assigns, be held liable for consequential damages, nor shall seller's liability on any claim for damages arising out of or connected with the sale, delivery, or use of purchased products and/or supplies exceed the purchase price of the products and/or supplies

Tools Required

* 9/16", 7/16", 10mm, 12mm wrench
* 9/16", 7/16", 13mm socket

*Trim removal tool
* T20, T30 Torx

*3/4" drill bit
*Pliers

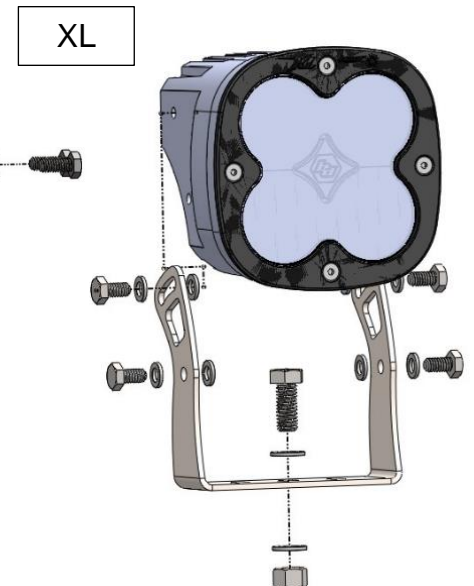
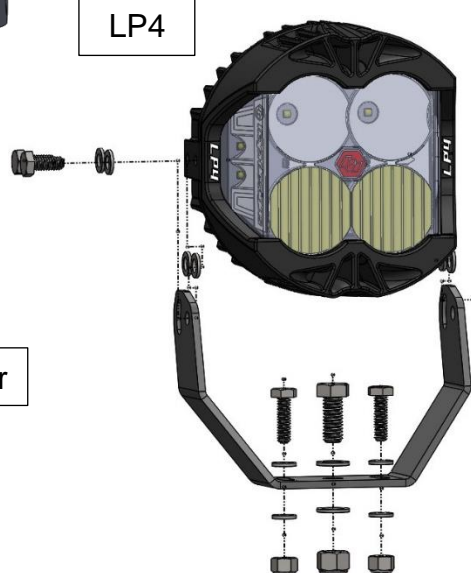
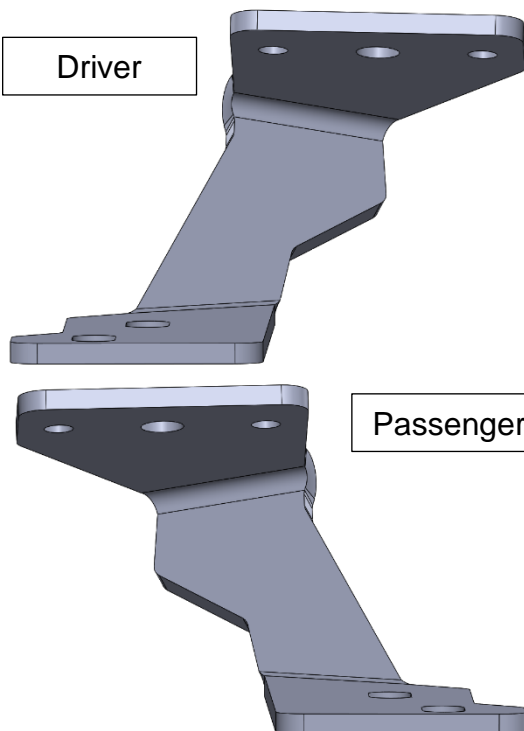
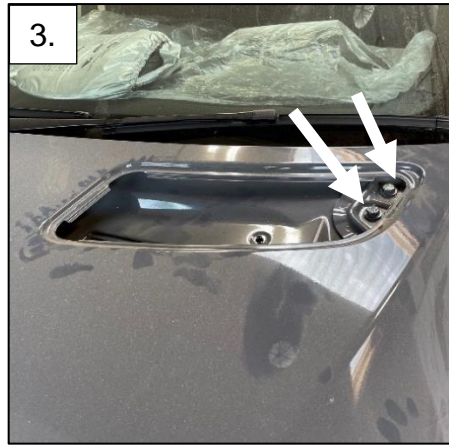
*Wire cutters or scissors

1. Make sure the vehicle is parked, on level ground, and the ignition is off. Open the hood and locate the 2x hinge studs on the driver's underside of hood.

2. Place the driver side bracket onto the hood hinge studs. Slide the bracket forward until there is a 1/8" gap to the hood. Place a washer and provided nyloc nut onto each stud and tighten with a 13mm socket.

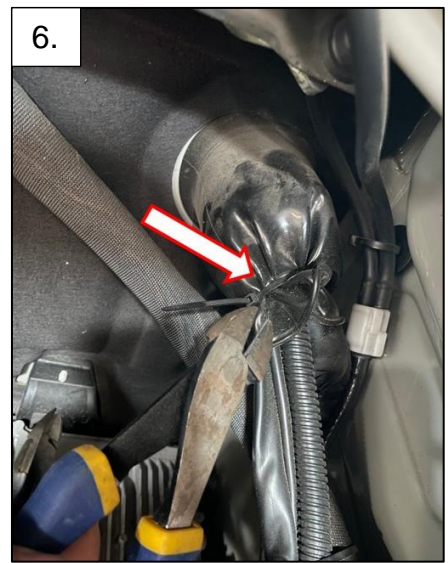
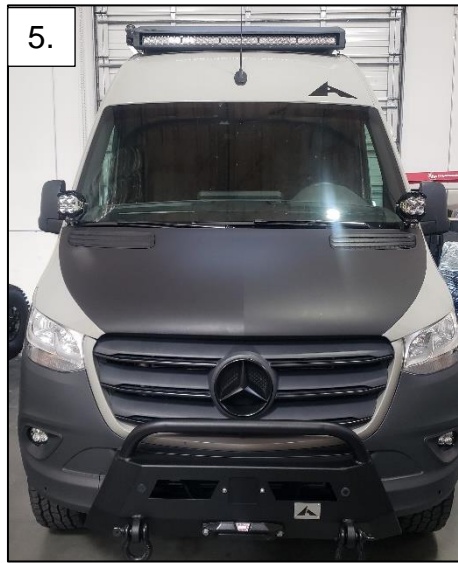
3. If the stud comes loose, remove the plastic hood insert. Using a 12mm socket and tighten down the bolt.

4. Utilize the exploded view below to assemble your light using 9/16" and 7/16" wrenches. Ensure the 9/16" hex head bolt is installed into the universal bracket before the light. Attach the light to the A-pillar mount and tighten.



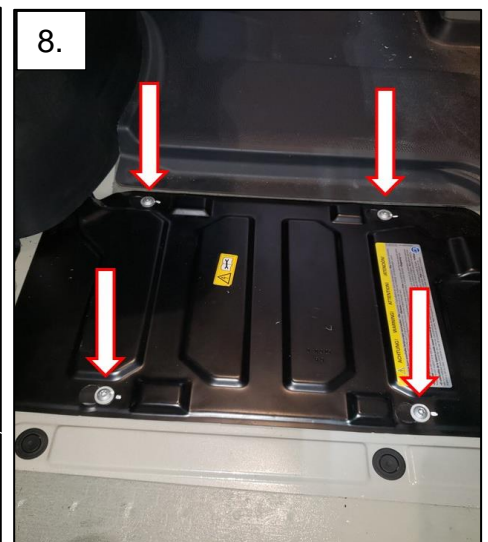
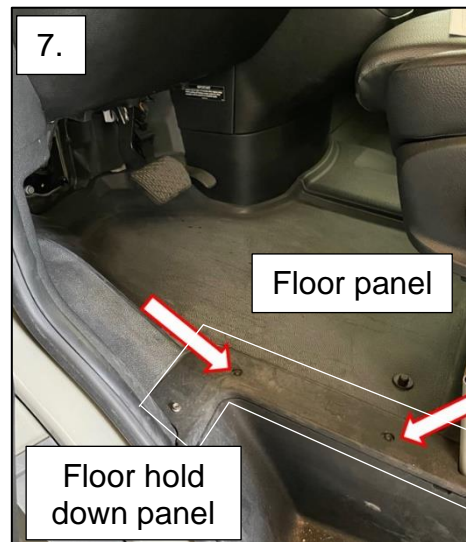
5. Repeat steps 1-4 for the opposite side of the vehicle.

6. Locate the driver's side firewall wire passthrough and remove the zip-tie keeping it closed.



7. Locate the floor hold down panel (outlined) nearest the driver sidestep. Using a T20 Torx, remove the 2 bolts securing it. Remove the hold down panel and the large driver's side floor panel.

8. Using a T30 Torx, loosen the 4x bolts holding down the battery cover and slide it backwards and up to remove the battery cover.



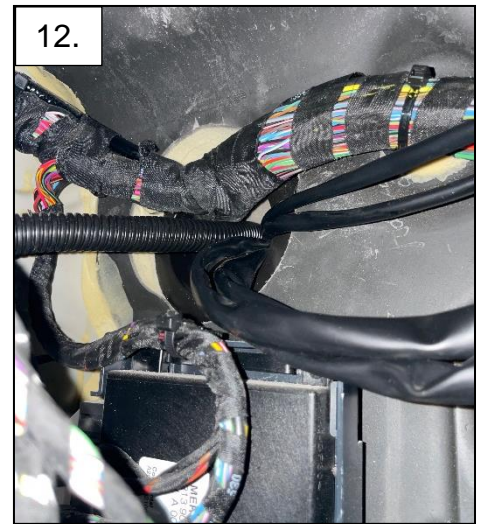
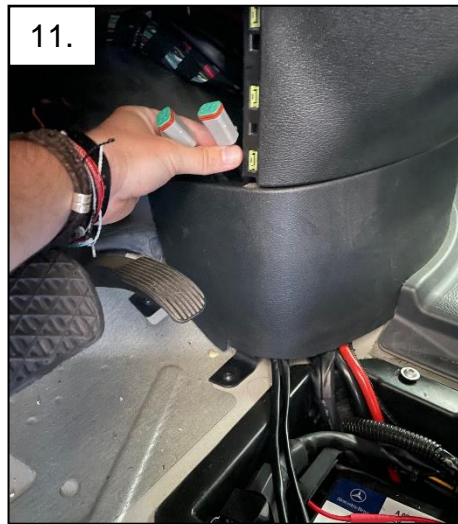
9. Remove the ground cable from the battery using a 10mm wrench and place to the side.

10. Using a trim removal tool, gently remove the dash panel located up and right of the gas pedal.



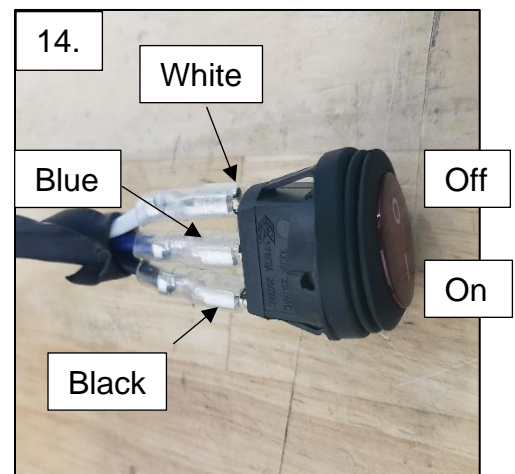
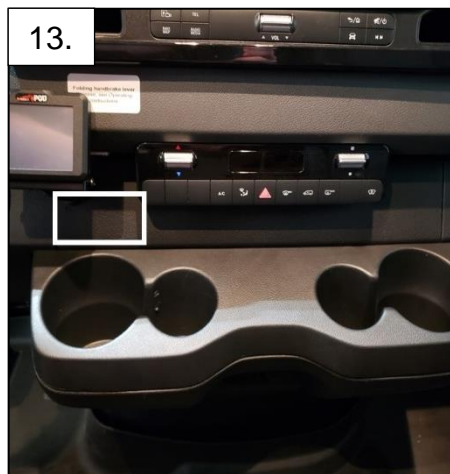
11. Using the included wiring harness, route the 2x connectors and switch lead from the battery, into the center console and above the pedals. Make sure the wires do not interfere with the pedal's operation.

12. Locate the wire passthrough on the firewall underneath the dash. With an assistant, feed the 2x connectors through the passthrough and into the engine compartment.



13. Locate a position on the dash to mount the switch. Check behind the dash to ensure there is room to safely drill a 3/4" hole. A recommended switch location is boxed in image 13. Once a location is chosen, drill a 3/4" hole.

14. Take a photo of the switch wiring then remove the switch wires. Run the switch wires through the hole, plug them into the switch using the reference photo and install the switch into the dash.



15. Run the power cords along the firewall towards the hood hinges. Run the wires around the hood hinges to the lights. Make sure the wires do not pinch or rub on the hinge when opening and closing the hood. **For XL lights, plug in the 3-pin 5' extension harness to the passenger side lead.** Plug in the connectors to the lights.

16. Using a 12mm and 10mm wrench, connect the positive and negative ring terminals to the positive and negative battery clamps and reconnect the battery.



17. Test your lights then reinstall the battery cover using the T30 Torx. Reinstall the floor panel and floor hold down panel and secure using T20 hardware. Carefully reinstall the trim panel nearest the gas pedal.

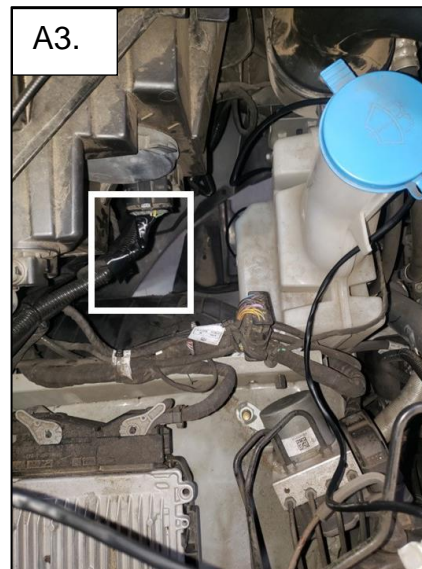
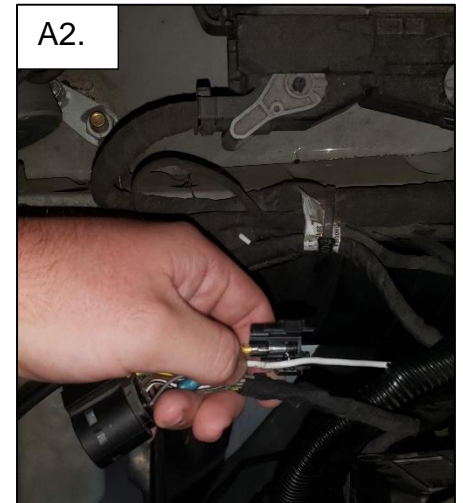
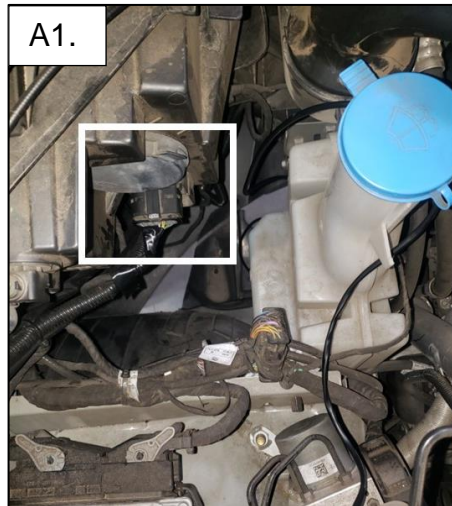


For LP Series Backlight Only

A1. Unplug the driver's side headlight connector from the light by pulling the gray tab backwards. Remove the tape covering the headlight wires.

A2. Find the yellow and gray wire and using pliers, clamp the splice connector onto the wire. Run the longer of the two wires to the passenger side of the vehicle following the main light harness.

A3. Replace the tape over the headlight wiring. Create a service loop with the excess wire and secure it. Plug the headlight connector back into the headlight.



*Tie all wires away from sharp, hot, and/or rotating components.

* Re-torque all the fasteners after 100 miles.

*Your install is now complete! Thank you for choosing Baja Designs.