



baja designs®
THE SCIENTISTS OF LIGHTING

Jeep JK A-Pillar Kit Instructions
44-7796, 44-7797, 44-7798, 44-7799, 44-7800



185 Bosstick Boulevard • San Marcos • CA • 92069

Phone 760-560-2252 x3 • Fax 760-560-0383

info@bajadesigns.com • www.bajadesigns.com



baja designs[®]
THE SCIENTISTS OF LIGHTING

LIMITED LIFETIME WARRANTY

Baja Designs proudly offers a LIFETIME WARRANTY against manufacturer's defect on all the products that we manufacture.

These are comprehensive warranties; other than the exclusions below – you're covered. If your LED or HID bulb burns out, you're covered. Additionally, cutting off our connector or changing your lenses does not automatically void your warranty.

Exclusions:

Installation errors, abuse, misuse or crash damage. You must be the original owner of the product and can supply proof of purchase.

Baja Designs manufactures its own products as well as resells products manufactured by others. Baja Designs makes no express or implied warranties on products not manufactured by Baja Designs including without limitation any warranties or merchantability and fitness for a purpose. We will, however, pass on all warranties made by the manufacturer, who has sole responsibility for performing such warranties.

Baja Designs will pay the freight if your product is less than 90 days old, otherwise defective products must be returned to Baja Designs, Inc., freight prepaid. At our option, we will repair or replace items in question and return them at no charge. If the identical product is no longer available, we will replace with a similar product of equal value. Baja Designs Inc. will not be responsible for any indirect or consequential damages in connection with defective merchandise.

Items purchased through a Baja Designs authorized dealer must be returned through the dealer. Only available on LED auxiliary lights and product must be in sellable condition at MSRP. Product that has been damaged in any way after the original purchase date will be excluded from this guarantee.

Indemnification:

Buyer hereby acknowledges off-roading, racing and driving at night are dangerous activities and that the products and/or supplies purchased from Baja Designs are used in an inherently dangerous activity that may endanger life and limb; and in no event shall the seller, or seller's heirs and assigns, be held liable for consequential damages, nor shall seller's liability on any claim for damages arising out of or connected with the sale, delivery, or use of purchased products and/or supplies exceed the purchase price of the products and/or supplies

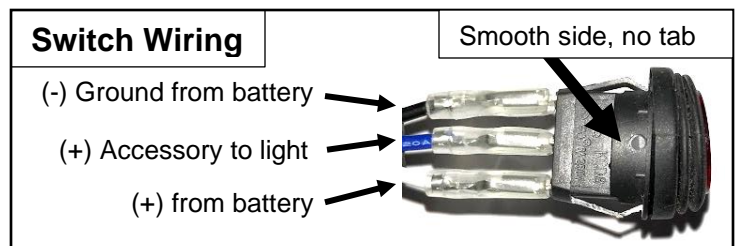
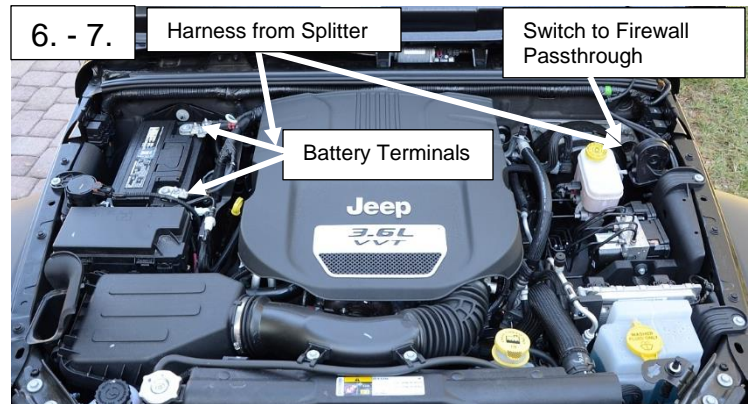
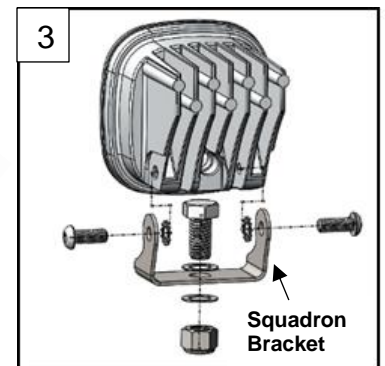
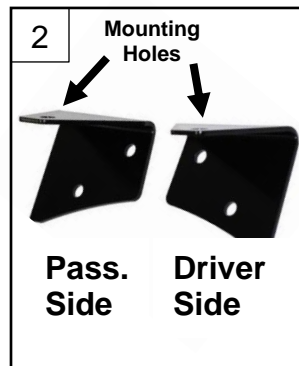
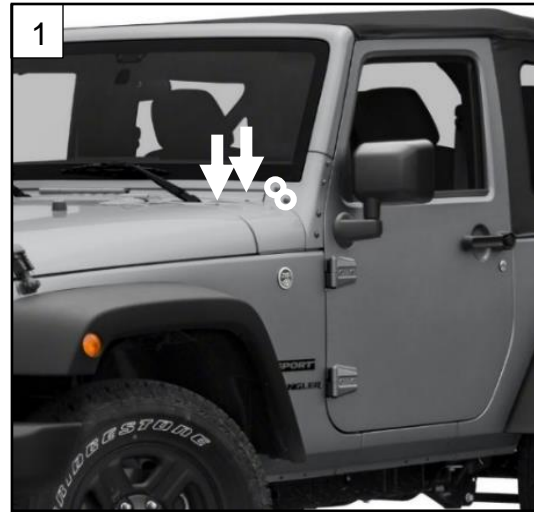
Jeep JK A-Pillar Kit Instructions

Tools Required

- T40 and T30 Torx Drivers
- 4mm Allen Wrench
- 9/16" Wrench and Socket
- 10mm Wrench

Directions:

1. With the T40 Torx driver, remove the two Driver side bolts circled on the right. With the T30 Torx driver, remove the two arrowed bolts on the wiper cowl panel.
2. Place the driver side bracket over the two holes from step one, thread in, and hand tighten the bolts. Anti-seize recommended. Repeat for the passenger side.
3. Assemble the Squadron lights with the provided hardware. Thread the 9/16" Hex head bolt through the Squadron bracket before mounting the light with the 4mm Allen head bolts. Be sure to place the serrated washers in between the Squadron bracket and the light housing.
4. Mount the Squadron lights to the mounting holes on the A-Pillar brackets and tighten with the 9/16" wrench and socket.
5. Lift the wiper cowl panel on each side to route the Squadron power cord inside the panel. Attach the splitter harness to the lights and then to the wiring harness near the battery. Tighten the four T30 Torx wiper cowl panel bolts from step 1.
6. Under the hood, route the switch lead of the harness across the firewall from the passenger side over to the driver side. Take a quick picture of the switch wiring to reference later. Pierce a hole through the firewall passthrough grommet, located on the driver side of the brake booster bracket. Remove wires from switch and route switch terminals through firewall. Mount the switch and reconnect the switch terminals.
7. With the 10mm wrench connect the harness to the battery terminals beginning with the (+) red terminal. Then attach the harness to the black (-) terminal. ***Do not use the nut closest to each post***
8. Turn on lights, aim, then tighten. Tie up wires away from all hot, rotating, and/or sharp components.



Re-torque fasteners after 100 miles.

Your installation is now complete, thank you for choosing Baja Designs!