



***baja designs***<sup>®</sup>  
*The Scientists of Lighting*

## **2018 Textron Wildcat XX Headlight kit**



185 Bosstick Boulevard • San Marcos • CA • 92069

Phone 760-560-2252 • Fax 760-560-0383

[info@bajadesigns.com](mailto:info@bajadesigns.com) • [www.bajadesigns.com](http://www.bajadesigns.com)



***baja designs***<sup>®</sup>  
*The Scientists of Lighting*

## **LIMITED LIFETIME WARRANTY**

Baja Designs proudly offers a LIFETIME WARRANTY against manufacturer's defect on all the products that we manufacture.

These are comprehensive warranties; other than the exclusions below – you're covered. If your LED or HID bulb burns out, you're covered. Additionally, cutting off our connector or changing your lenses does not automatically void your warranty.

### **Exclusions:**

Installation errors, abuse, misuse or crash damage. You must be the original owner of the product and can supply proof of purchase.

Baja Designs manufactures its own products as well as resells products manufactured by others. Baja Designs makes no express or implied warranties on products not manufactured by Baja Designs including without limitation any warranties or merchantability and fitness for a purpose. We will however, pass on all warranties made by the manufacturer, who has sole responsibility for performing such warranties.

Baja Designs will pay the freight if your product is less than 90 days old, otherwise defective products must be returned to Baja Designs, Inc., freight prepaid. At our option, we will repair or replace items in question and return them at no charge. If the identical product is no longer available, we will replace with a similar product of equal value. Baja Designs Inc. will not be responsible for any indirect or consequential damages in connection with defective merchandise.

Items purchased through a Baja Designs authorized dealer must be returned through the dealer. Only available on LED auxiliary lights and product must be in sellable condition at MSRP. Product that has been damaged in any way after the original purchase date will be excluded from this guarantee.

### **Indemnification:**

**Buyer hereby acknowledges off-roading, racing and driving at night are dangerous activities and that the products and/or supplies purchased from Baja Designs are used in an inherently dangerous activity that may endanger life and limb; and in no event shall the seller, or seller's heirs and assigns, be held liable for consequential damages, nor shall seller's liability on any claim for damages arising out of or connected with the sale, delivery, or use of purchased products and/or supplies exceed the purchase price of the products and/or supplies.**



**baja designs**  
The Scientists of Lighting

### Textron Wildcat 2018 Headlight Kit Instructions

#### Tools Required

7/16" wrench and socket

T30 Torx bit (Socket wrench adapter)

T25 Torx bit (Socket wrench adapter)

9/16" wrench and socket

Standard screwdriver (Flat-head)

Needle-nose pliers

4mm Allen wrench

1. To begin, completely remove the hood from the vehicle after releasing the two ¼ turn black plastic thumb fasteners near the front edge.
2. Using the T25 Torx bit, remove the two bolts near the center of the vehicle behind and underneath the front bumper valance. Follow by removing the two passenger side bolts behind the valance and under the headlight. Repeat for the driver side. Remove the valance and set aside. Fastener locations circled in white below.





**baja designs**  
The Scientists of Lighting

3. Use the T30 Torx bit to then remove the front upper fender well screw from the passenger side as pictured below. Repeat for the driver side.



4. Now, at the front of the vehicle, locate the two pressed in black plastic fasteners near the front corners of the hood opening, that secure the grill assembly. Using a standard screwdriver, pry up the center section until it appears as shown below.





**baja designs**  
The Scientists of Lighting

5. Once both plastic fasteners are released, the grill will now be able to be removed. Gently pull up on the front edge of the top of the fenders and slide the grill down and to one side as shown below. **Then, cover the radiator to prevent damage (cardboard shown).**



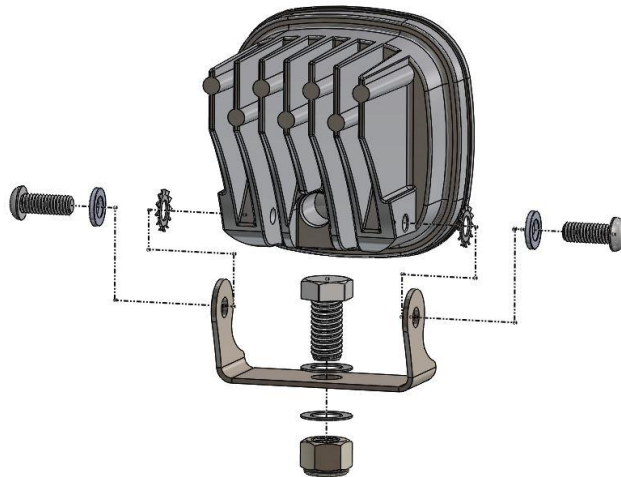
6. Disconnect the headlight plugs (2 each side). Locate the headlight adjuster knob on the inboard side of both headlights and remove. Now, using the needle-nose pliers, remove the four silver retaining clips on each of the headlight mounting points.
7. For the driver side, it will require removal of the headlight subframe. Gently work the outboard headlight mount until it is almost able to be slid out. Remove two T25 bolts per side of the subframe bracket. As the bracket is being removed, support the headlight and carefully demount the light from the subframe. Now, remove the headlight.



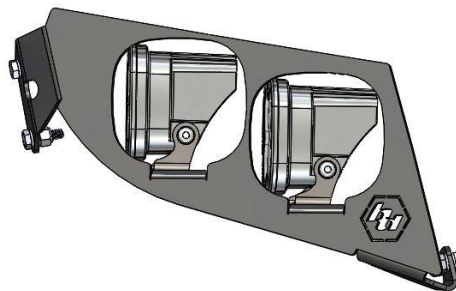


**baja designs**  
The Scientists of Lighting

8. Remount the driver side headlight subframe with the four T25 bolts.
9. Remove the passenger side headlight assembly, by gently tilting the headlight back and forth, while pushing it inward. Take care not to damage radiator.
10. Using a table or workbench, spread out all the parts contained in the Squadron light parts bag. Bolt together the squadron light and bracket as shown in the exploded view below. Note: it is necessary to insert the large 3/8" bolt into the bracket first. Repeat for the remaining three lights.



11. The next step is to mount the squadron light assemblies to the Textron headlight bracket. Take care not to scratch the bezels by wrapping the lights in plastic, or masking tape. With the Squadron brackets slightly loose, orient the lights as shown below and while tilting the lights toward the rear of the headlight, assemble the 3/8" bolt into the mounting flange, mating the Squadron bracket assembly to the headlight bracket. Once the lights have cleared the opening in the headlight bracket, rotate the lights toward the front of the headlight. Leave all fasteners just loose enough for adjustment later.



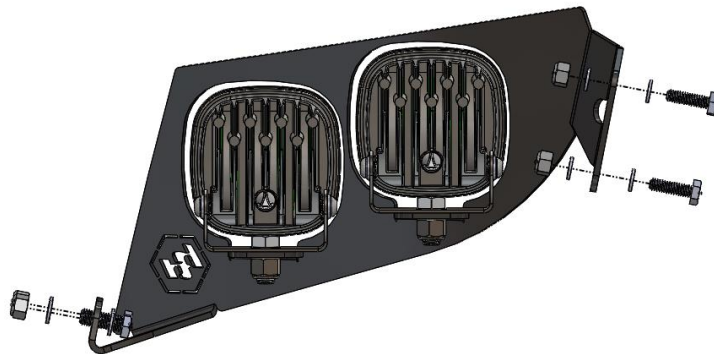


**baja designs**  
The Scientists of Lighting

12. After both headlight bracket assemblies have been assembled, it is time to mount the assemblies into the vehicle. The driver side headlight opening is pictured below. The picture on the left shows the inboard mounting flange of the stock headlight. Notice the circled hole and slot. These will be where the inboard headlight bracket locations mount. The picture on the right shows the corresponding outboard mounts for the headlight bracket. Both outboard mounts are slotted and resemble upper inboard slot.



13. Fasten each headlight to the vehicle with the provided  $\frac{1}{4}$ " bolts, washers, and nuts in the configuration as shown below. The external faces of the headlight bracket are placed onto the internal faces of the headlight opening. Mount the grill temporarily to check the headlight clearance and remove to adjust. Once satisfied, remove the grill and tighten the fasteners.





***baja designs***<sup>®</sup>  
*The Scientists of Lighting*

- Using the included harness adapter, connect the factory plug (see below) on the vehicle to the single side of the “Y” adapter. Whichever headlamp that will be used for the primary low beam light, will need to plug into the squadron connector that has the red and black wires. The other light will connect to the plug with white and black wires. Repeat for the opposite side of the vehicle. The other factory three pin connector will not be used. Replace both high and low headlight circuit fuses with 15A fuses included.



- To complete reassembly, follow steps 1-5 in reverse.

Re-torque all the fasteners after 100 miles.

See the instructions supplied with the wiring harness to complete wiring needs.

Your install is now complete! Thank you for choosing Baja Designs.