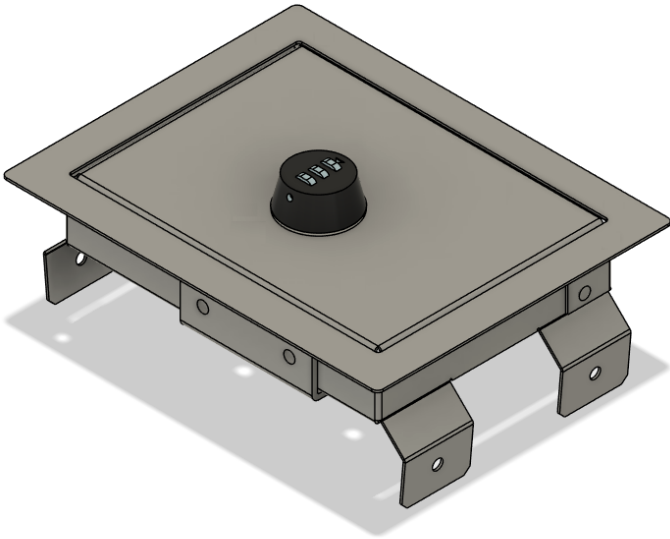


INSTALLATION INSTRUCTIONS

CONSOLE SAFE

PART NUMBER: 425-01
2020-2025 FORD EXPLORER

PARTS CHECKLIST



425-01 CONSOLE SAFE (COMBINATION LOCK OPTION SHOWN)

SHIPPING PACKAGE CHECKLIST



#1 (4) #10 x 3/8" TAPPING SCREWS

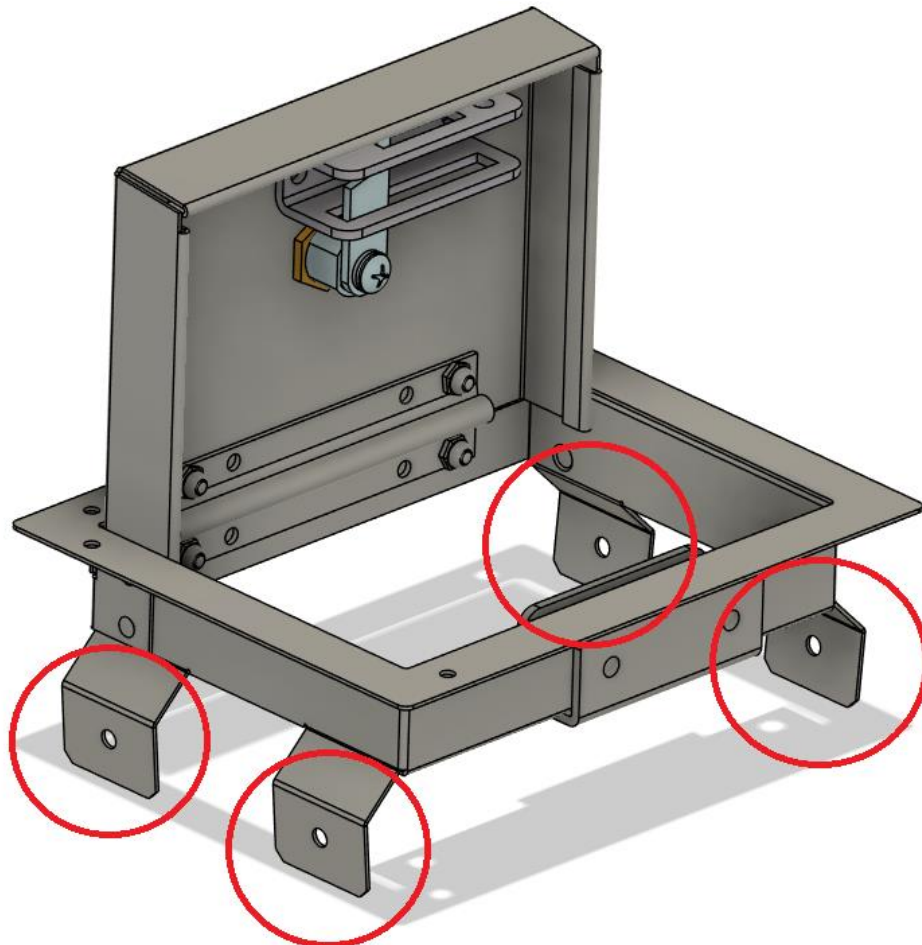
 PLEASE READ ALL INSTRUCTIONS THOROUGHLY BEFORE STARTING INSTALLATION

TOOLS NEEDED FOR INSTALLATION

- #2 Phillips Head Screwdriver (Short Handle)

INSTALLATION INSTRUCTIONS

1. Remove all contents from the shipping box and confirm you have all the components listed in the Shipping Package Checklist.
2. Remove all contents from the vehicle center console, leaving the OE pad on the bottom.
3. Lower the Console Safe down in the vehicle console, with the hinge on the rear side.
4. Open the lid of the Console Safe and locate the four tabs with mounting holes protruding down on the Console Safe, as circled in the image below. These holes will be the screw locations mentioned in further steps.



 Call 800-348-8339 for Technical Support

5. Use (1) of the #1 Tapping Screws and your #2 Phillips Head Screwdriver and place screw in the front left mount hole.

NOTE: Before you proceed with Step 6, be sure to apply downward pressure on the top of the Console Safe to make sure proper position is maintained while installing mounting screws. A second set of hands may be helpful for this step.

6. While applying downward pressure to the Console Safe, begin turning the #1 Tapping Screw clockwise, while also apply inward pressure with the screwdriver. Tighten the screw until it contacts the leg of the Console Safe.

IMPORTANT: This tapping screw is designed to cut their own hole while turning. Do not overtighten!!

7. While maintaining downward pressure to the Console Safe, proceed with installing the right rear screw.

IMPORTANT: This tapping screw is designed to cut their own hole while turning. Do not overtighten!!

8. At this point you can release downward pressure to the Console Safe and install the (2) remaining screws.

9. Installation is now complete!