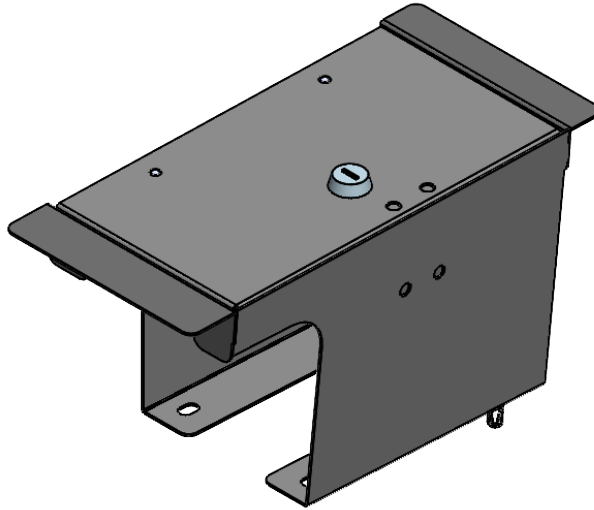


INSTALLATION INSTRUCTIONS

2025+ Toyota Camry Console Safe #416

Please read and fill out the enclosed warranty registration card or register online at <https://tuffyprompts.com/help/warranty-information/warranty-registration/> to activate your warranty.

PARTS CHECKLIST



416-01 COSOLE SAFE

TOOL CHECKLIST

- 10mm Socket
- Phillips Head Screwdriver

PLEASE READ ALL INSTRUCTIONS THOROUGHLY BEFORE STARTING INSTALLATION.

1. Remove all the contents from the center console. Including the Mat and (4) OEM factory bolts at the bottom. And place them to the side.
2. Place the 416-01 Console Safe into the center console. With the lock on the driver's side. As shown in **Figure 1**.
3. Open the lid of the safe, and reinsert the (4) factory bolts. Use the 10mm socket or Phillips Head Screw Driver to tighten.
4. Reinstall the Mat, covering the bottom plates and mounting hardware. You have successfully installed your console safe.

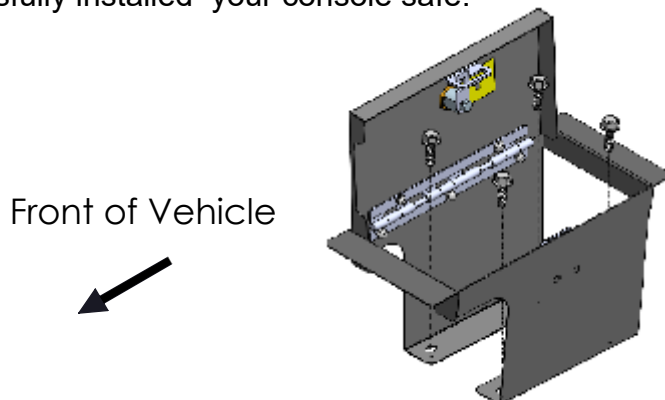


Figure 1