



# JEEP WRANGLER

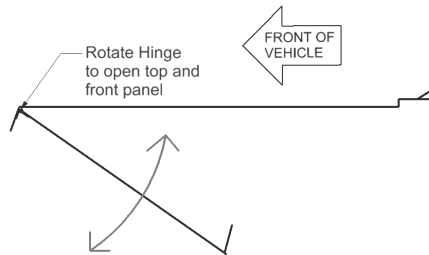
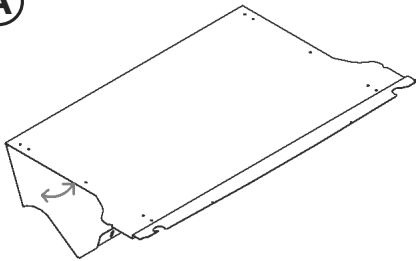
## Part# 299 - Tailgate Security Enclosure

Please read and fill out the enclosed warranty registration card to activate your warranty.

### CONTENTS:

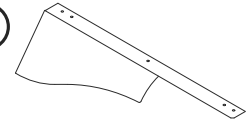
Lid & Front Panel hinged together (rotate panels open)

**A**



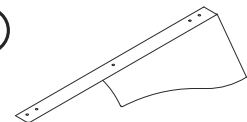
Enclosure Left Side (1)

**B**



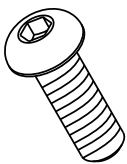
Enclosure Right Side (1)

**C**



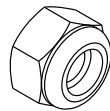
Hex Bolts 1/4"- 20 x 3/4" (10)

**D**



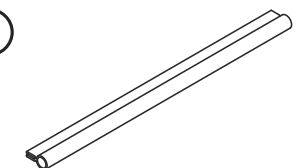
Nylon Insert Hex Nut 1/4"- 20 (10)

**E**



End Bulb Trim Piece (2)

**F**



Cargo Loops (4)

**G**



Cargo Straps (4)

**H**



1/4" Flat Washers (12)

**I**

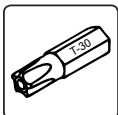


Velcro 1/2" x 1 5/8" (4)

**J**



### TOOLS CHECKLIST:



T-30 torx bit or driver



Ratchet



7/16" wrench



5/32" hex bit

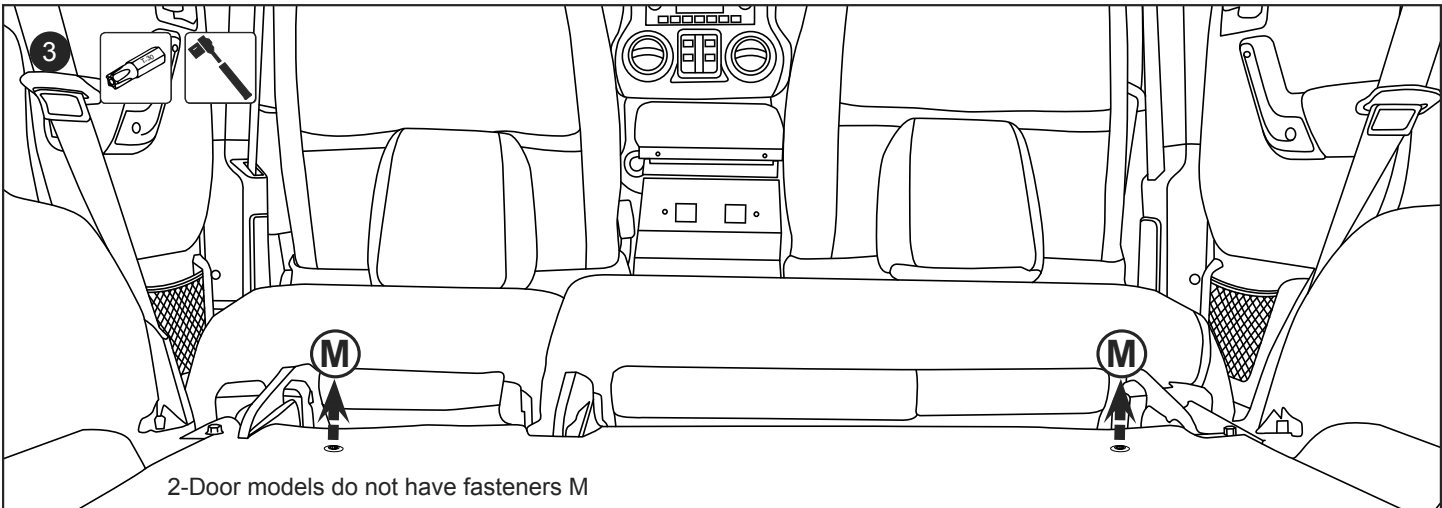
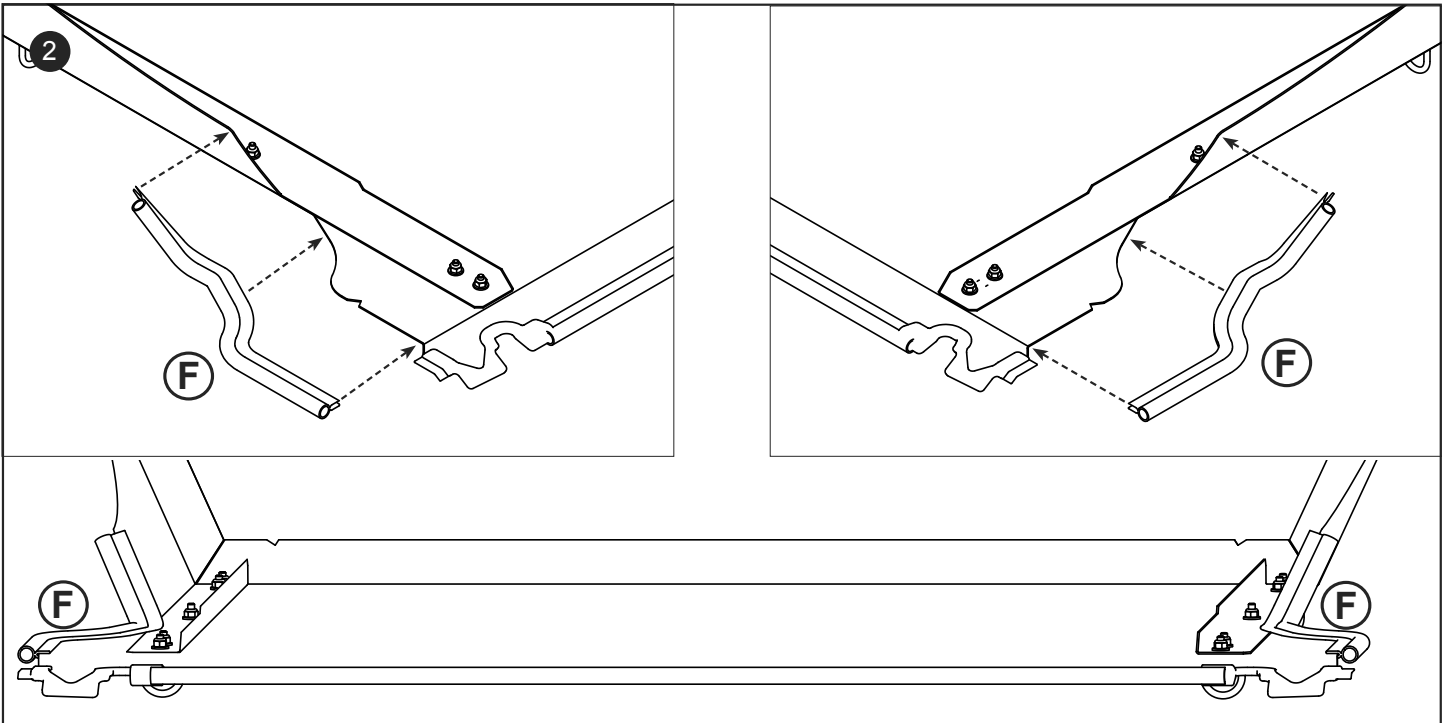
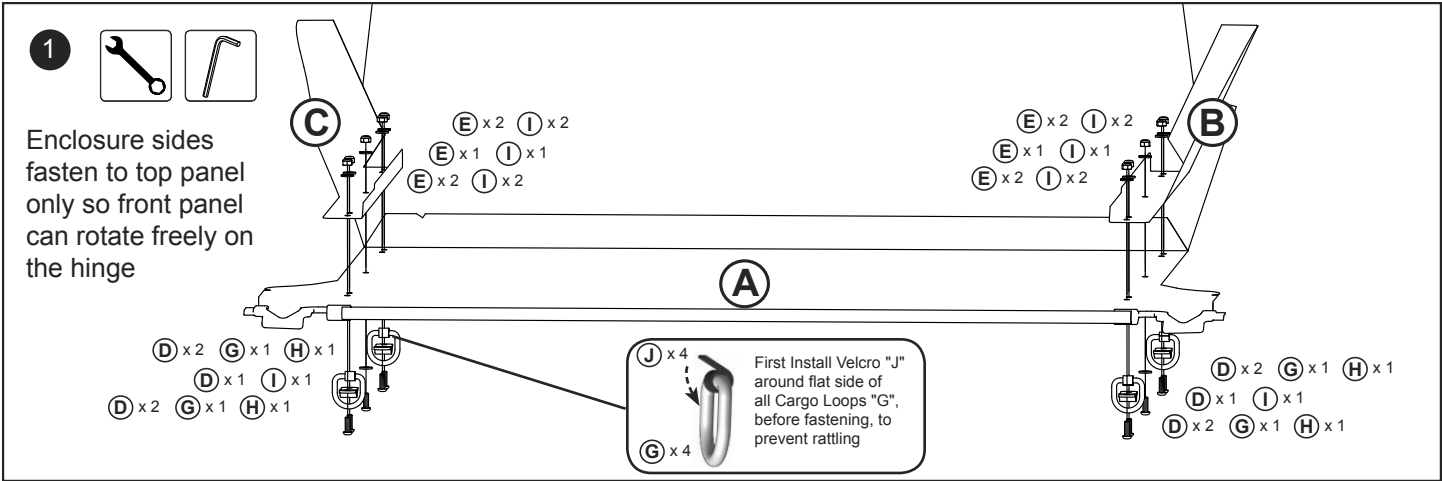


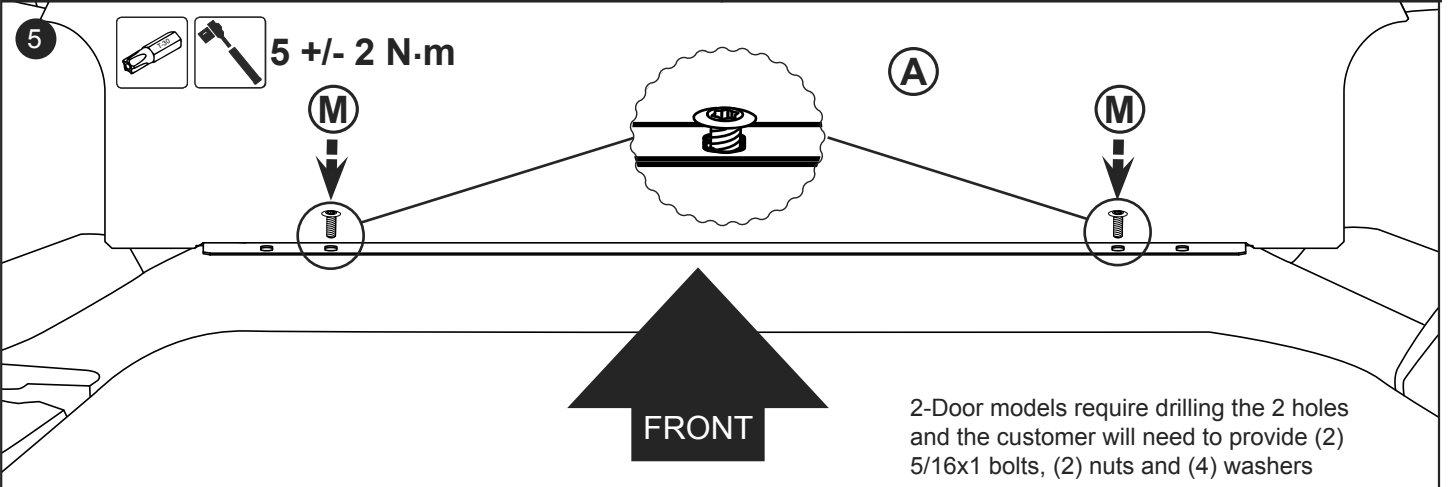
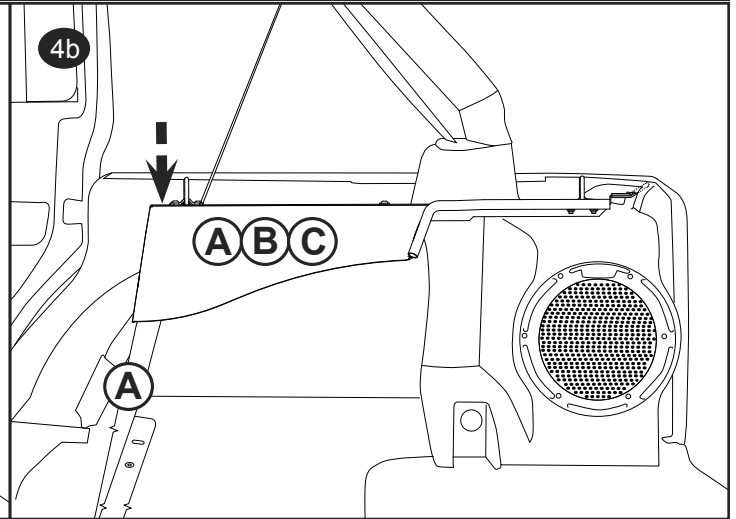
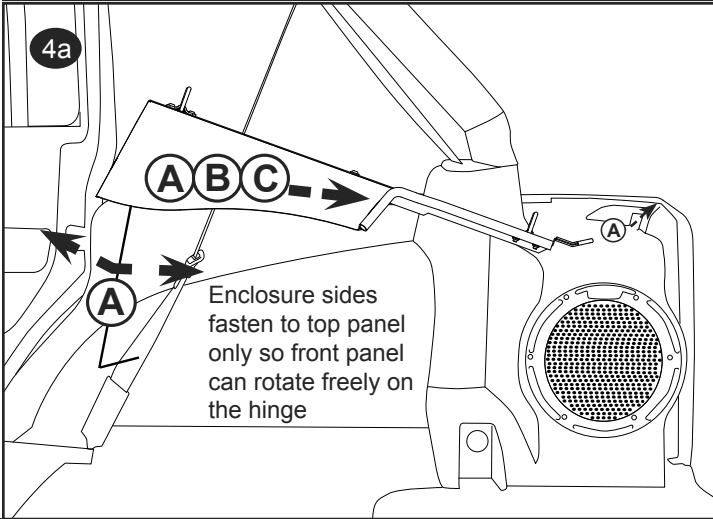
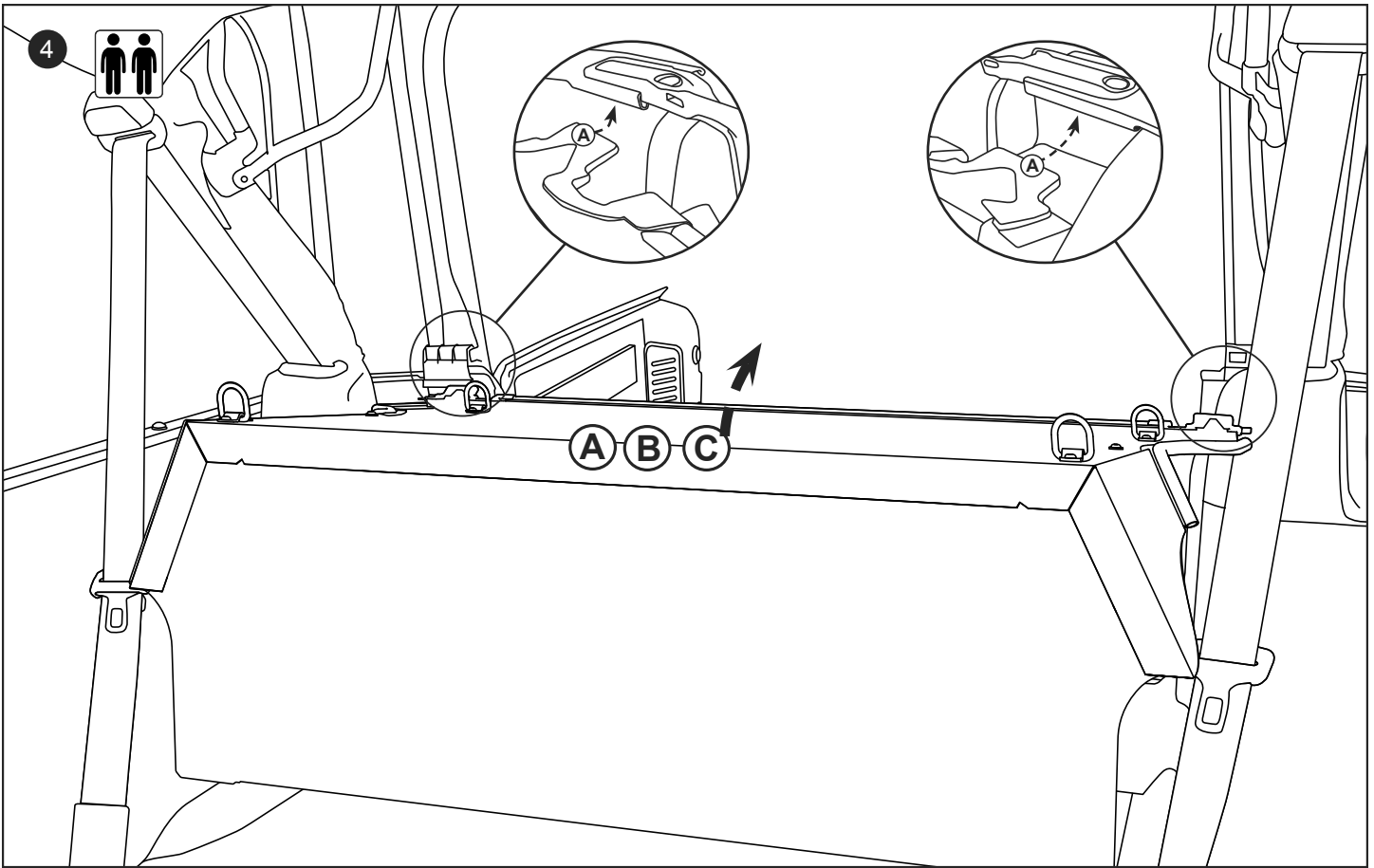
2 People

### ATTENTION:

- On Jeep Wrangler JK vehicles with Manual Door Locks only, the rear tailgate lock must be locked manually with key in order for Tuffy enclosure security to function. Vehicles with Power Door Locks by default also feature Remote Keyless Entry and the Vehicle Security Alarm. Arming of the Vehicle Security Alarm (by locking the doors with either the key fob or interior power door lock switch) automatically disables the interior power door lock switches and ensures the tailgate and Tuffy enclosure are secure, even on soft top models or with the top removed. There is a 16-second alarm arming period during which the interior power door lock switches remain active.

- For safety do not place any items on top of the enclosure that are not adequately secured to the vehicle to prevent movement in the event of an accident or abrupt speed changes.





2-Door models require drilling the 2 holes and the customer will need to provide (2) 5/16x1 bolts, (2) nuts and (4) washers