



INSTALLATION INSTRUCTIONS

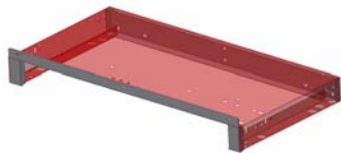
DRAWER MOUNTING KIT PART # 045 FOR USE WITH PART # 021 OR # 130

Please read and fill out the enclosed warranty registration card to activate your warranty.

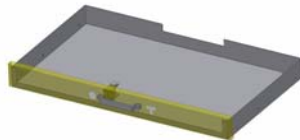
TOOLS NEEDED

- (2) 1/2" Wrenches or wrench and Deep Well Socket and Ratchet
- (2) 9/16" Wrenches or wrench and Socket and Ratchet
- (2) 5/8" Wrenches or wrench and Socket and Ratchet
- T-50 Torx wrench
- Electric Drill
- Pilot drill bit around 3/16" (Recommended)
- 3/8" Drill Bit
- 1/2" Drill Bit
- Utility knife
- Silicone sealant (Recommended)

PARTS LIST



Drawer Enclosure



Drawer



(2) Front brackets



Seat Belt bracket



Handle

SHIPPING PACKAGE



(4) 7/16 X 1-1/4" Bolts



(4) 3/8 x 1" Bolts



(4) 5/16 x 1 1/4" Bolts



(5) 7/16" Lock Nuts



(4) 3/8" Nylock Nuts



(4) 5/16" Nylock Nuts



(2) 1/4-20 Nuts



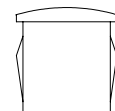
(9) 7/16" Washers



(8) 3/8" Washers



(8) 5/16" Washers



(30) 1/2" Hole Plugs

MOUNTING INSTRUCTIONS FOR DRAWER OPENING TOWARD THE REAR OF THE VEHICLE

This section applies to both Drawer Part # 021 and Drawer Part # 130

1. Please read the entire assembly instructions and check all included parts before beginning the installation.
2. Check the drawer and lock operation.
3. Install the drawer handle using (2) ¼-20 nuts.
4. Remove the rear seat, remove the (2) seat mounting brackets, remove the seat catch brackets mounted on the tub side walls, and remove the Seat belt harnesses bolted to the floor. Save all these parts and their mounting hardware you will reuse some of them.
5. Remove the drawer from the drawer enclosure. To do this fully open the drawer until it stops. Press the black lever on the right drawer slide down while also pressing the black lever on the left drawer slide up then pull the drawer free.
6. Attach the (2) Front mounting brackets to the two holes approximately 5 ¼" in from each side on the back side of the drawer using the (2) 3/8 x 1" bolts, (2) 3/8" Nylock nuts, and (4) 3/8" washers. (See Figure 1, Step 1)
7. Place the drawer enclosure in the vehicle oriented with the drawer opening toward the rear of the vehicle. Line the holes in the (2) front mounting brackets up with the forward two original seat bracket mounting holes. (See Figure 1, Step 2)
8. Mark the floor of the vehicle under the (2) ½" oval mounting holes in the drawer enclosure. One is on the left side bottom and one is on the right side bottom. (See Figure 1, Step 3) **NOTE: Drawer Part # 021 is shown in the illustration; in Drawer Part # 130 these holes are located toward the center bottom of the enclosure.**

WARNING! Make sure there is nothing under the vehicle that will be damaged by the drill bit when drilling.

9. Remove the drawer and drill out the (2) marked spots on the floor to size ½" holes.
10. Place the drawer enclosure in the vehicle. Secure the holes toward the front of the vehicle down with (2) 3/8 x 1" Bolts and (2) 3/8" Washers through the (2) forward original seat bracket mounting holes in the vehicle. (See Figure 1, Step 4) Secure the holes toward the rear of the vehicle down with (2) 7/16 x 1 ¼" bolts, (2) 7/16 Nylock nuts, and (4) 7/16 Washers. It is recommended to use silicone sealant in any drilled holes. (See Figure 1, Step 5)
11. Mount the rear seat to the (2) new front mounting brackets with the original pins and washers used with the original brackets.
12. Adjust the bumpers in the bottom rear of the seat so the seat sits at the desired height and angle.
13. Mate the original (2) seat catches brackets with the catch on the rear seat and mark the wall for drilling the mounting holes. (See Figure 1, Step 6)

WARNING! Make sure there is nothing under the vehicle that will be damaged by the drill bit when drilling.

14. Drill the marks for the (2) holes on each side of the tub to 3/8".
15. Fasten the (2) original seat catch brackets with the provided (4) 5/16 x 1 ¾" Bolts, (4) 5/16 Nylock nuts, and (8) 5/16 Washers. It is recommended to use silicone sealant in any drilled holes. (See Figure 1, Step 7)
16. Secure the Seat belt harness to the center hole on the drawer enclosure with the original seat belt mounting bolt, the provided 7/16" Nylock nut, and 7/16" Washer. Jeeps 1991 and later may have a clearance issue when leaving the factory bolts securing the seat belt harnesses to the sidewalls. In this case remove the original bolts and replace them with (2) 7/16 x 1 ¼" bolts and 7/16" washers. Jeeps 1990 and earlier will need to mount all (3) harnesses to the three mounting holes using the (3) original seat belt mounting bolts, (3) 7/16" Nylock nuts, and (3) 7/16" Washers. (See Figure 1, Step 8) **NOTE: Drawer Part # 021 is shown in the illustration; in Drawer Part # 130 these holes are located toward the center top of the enclosure.**

17. Plug all unused holes with the black hole-plugs provided.
18. Insert the drawer into the enclosure and check the slide and lock operation.

MOUNTING INSTRUCTIONS FOR DRAWER OPENING TOWARD THE FRONT OF THE VEHICLE

(This section of the instructions only apply to Drawer Part # 021)

In some cases the front seats and console will have to be removed to insert the drawer after the drawer enclosure has been mounted.

1. Check the drawer and lock operation.
2. Remove the rear seat, remove the (2) seat mounting brackets, remove the seat catch brackets mounted on the tub side walls, and remove the Center Seat belt harness bolted to the floor. Save all these parts and their mounting hardware you will reuse some of them.
3. Remove the drawer from the drawer enclosure. To do this fully open the drawer until it stops. Press the black lever on the right drawer slide down while also pressing the black lever on the left drawer slide up then pull the drawer free.
4. Attach the Seat belt bracket and the center seat belt harness to the back side of the drawer enclosure using (2) 7/16 x 1 ¼" Bolts, (2) 7/16 Nylock nuts, and (4) 7/16" Washers. (See Figure 2, Step 1)
5. Mount the (2) original seat mounting brackets to the top of the drawer enclosure using the (4) 3/8 x 1" bolts, (4) 3/8" nylock nuts, and (8) 3/8" Washers. Make sure the brackets are oriented exactly like the illustration. (See Figure 2, Step 2)
6. Place the drawer enclosure in the vehicle oriented with the drawer opening toward the front of the vehicle. Line the hole in the seat belt mounting bracket up with the original center seat belt mounting hole. (See Figure 2, Step 3)
7. Mark the floor of the vehicle under the (2) ½" oval mounting holes in the drawer enclosure. One is located on bottom right side and the other is located on the bottom left side. (See Figure 2, Step 4)
8. **WARNING! Make sure there is nothing under the vehicle that will be damaged by the drill bit when drilling.**
9. Remove the drawer and drill out the (2) marked spots on the floor to size ½" holes.
10. Place the drawer enclosure in the vehicle. Secure the hole in the end facing the rear of the vehicle down with the original seat belt mounting bolt through the original seat belt mounting hole. (See Figure 2, Step 5) Secure the holes on the end facing the front of the vehicle with (2) 7/16 x 1 ¼" bolts, (2) 7/16 Nylock nuts, and (4) 7/16 Washers. It is recommended to use silicone sealant in any drilled holes. (See Figure 2, Step 6)
11. Mount the rear seat to the (2) original front mounting brackets with the original pins and washers.
12. Adjust the bumpers in the bottom rear of the seat so the seat sits at the desired height and angle.
13. Mate the original (2) seat catches brackets with the catch on the rear seat and mark the wall for drilling the mounting holes. (See Figure 2, Step 7)
14. **WARNING! Make sure there is nothing under the vehicle that will be damaged by the drill bit when drilling.**
15. Drill the marks for the (4) holes on the tub to 3/8".
16. Fasten the (2) original seat catch brackets with the provided (4) 5/16 x 1 ¾" Bolts, (4) 5/16 Nylock nuts, and (8) 5/16 Washers. It is recommended to use silicone sealant in any drilled holes. (See Figure 2, Step 7)
17. Plug all unused holes with the black hole-plugs provided.
18. Insert the drawer into the enclosure and check the slide and lock operation.

FIGURE 1

Drawer Part # 021 shown, On Drawer Part # 130 some hole locations are different. See notes in instructions.

THIS END FACING
REAR OF VEHICLE

Step 8
Seat belt harness
may look different

Step 6 and 7

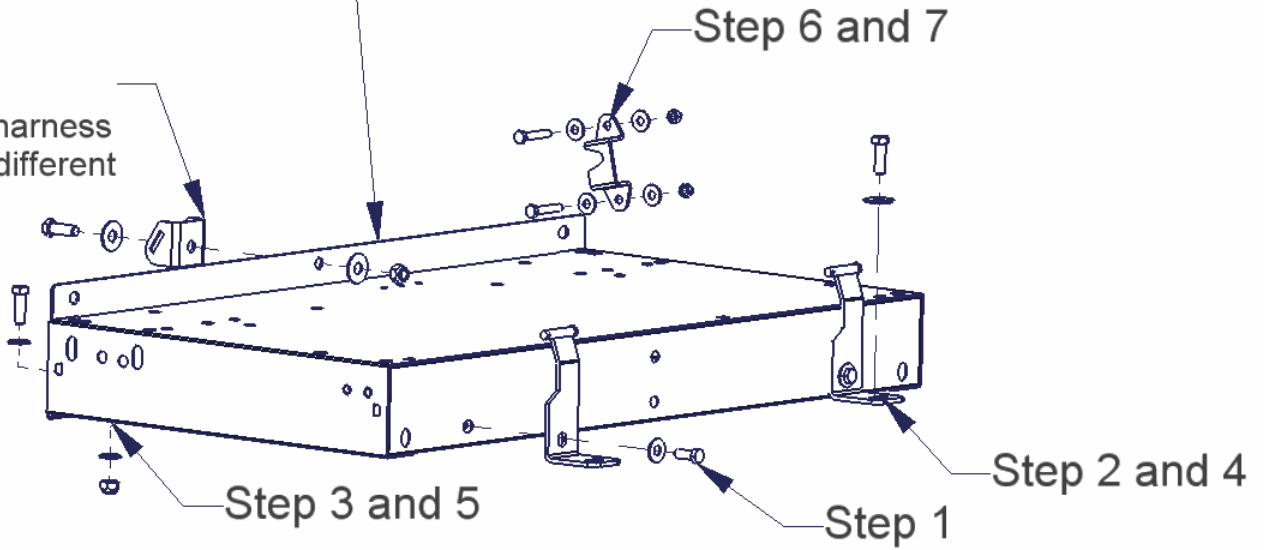
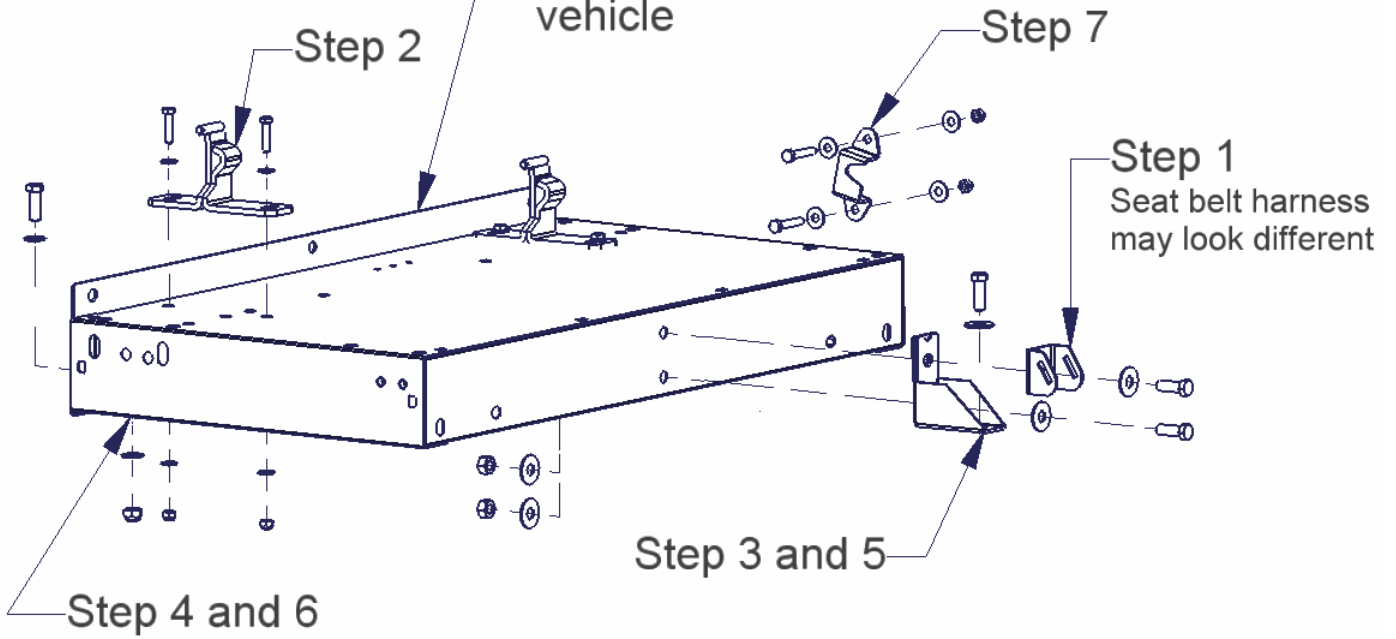


FIGURE 2

This illustration only applies to Drawer part # 021

This end facing
the front of
the
vehicle



Call (970) 564-1762 for Technical Support