



Cargo Cover

Installation Instructions

For: Jeep Wrangler JK with
Soft Top
2007 – Current

Part Number: 41827

IMPORTANT NOTE: For use on vehicles equipped with a soft top or you will need to purchase a 52601-01 Tailgate Bar.



DO NOT INSTALL THIS PRODUCT ON ANY VEHICLE OTHER THAN THOSE LISTED ABOVE.

This product is only designed for the vehicles listed above. Failure to install this product on the proper vehicle could cause injury to the vehicle occupants and damage to the product.

Installation Tips

Before you begin installing this assembly, read all instructions thoroughly.

For a smooth fit:

For ease in installation, the product should be installed at temperatures above 72° F. Below this temperature, the fabric may contract an inch or more, making it difficult to fit to the vehicle. It is normal for fabric to contract and wrinkle when stored in the shipping carton. Within a few days after the installation, the fabric will relax and the wrinkles will disappear.



WARNING

This product is designed to enhance the appearance of the vehicle. Do not rely in any way on the components of this product to contain occupants within the vehicle, or to protect against injury or death in the event of an accident. Never operate vehicle in excess of manufacturer's specifications.

WEAR SEAT BELTS AT ALL TIMES

Read and follow, precisely, all installation instructions provided when installing this product. Failure to do so could place occupants of the vehicle in a potentially dangerous situation. After installing or reinstalling, check to make sure it has been properly installed.

Table of Contents

PARTS LIST	PAGE 2
TOOLS NEEDED	PAGE 2
INSTALLATION	PAGE 2
WARRANTY	PAGE 4



CAUTION

Safety glasses should be worn at all times while installing this product.

Parts List

Cargo Cover Qty - 1
Seat Strap Qty - 1

Step One

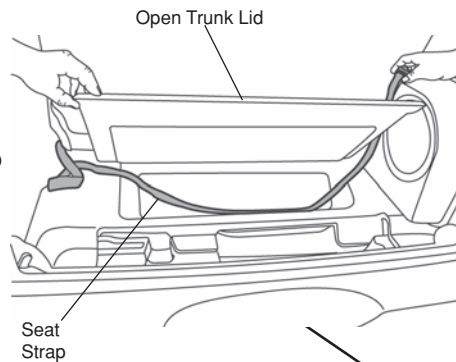
REMOVE SOFT TOP

Remove the soft top and hardware. Set the Tailgate Bar aside to be used to install the Duster Deck Cover.

Step Two

PLACE SEAT STRAP IN TRUNK

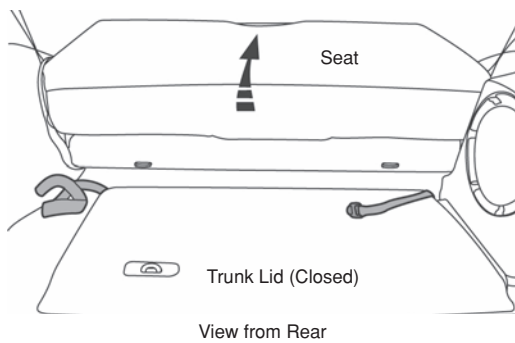
Open the trunk and lay the Seat Strap across the bottom of the trunk.



Step Three

TUMBLE SEAT FORWARD

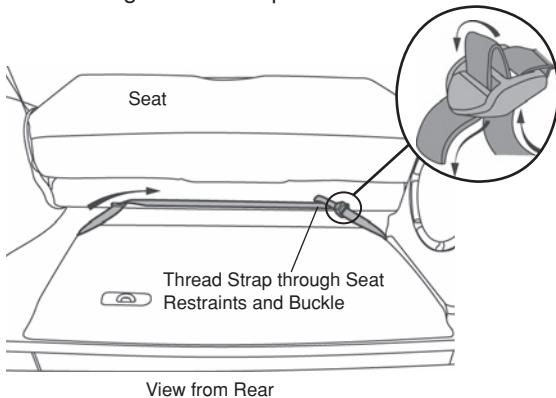
Fold the seat forward.



Step Four

THREAD SEAT STRAP THROUGH CHILD SEAT RESTRAINTS

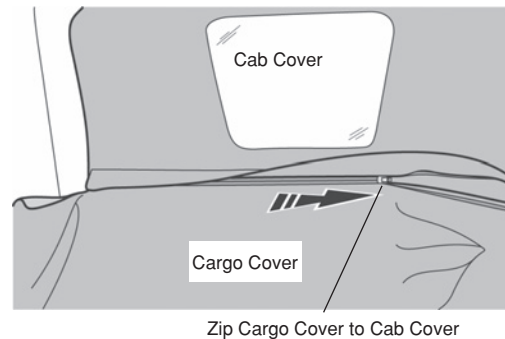
Thread the end of the Seat Strap through the child seat restraints and through the buckle. Tighten the strap.



Step Five

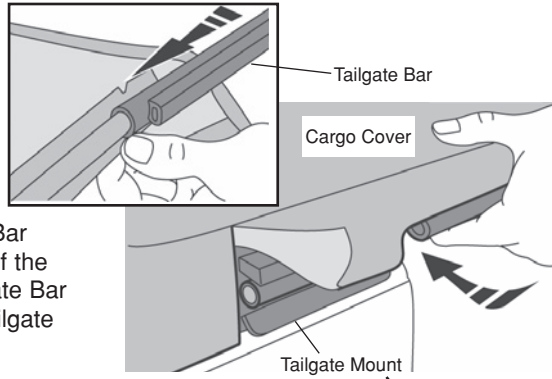
SECURE CARGO COVER TO CAB COVER – OPTIONAL

If you have a Cab Cover on your vehicle, zip the Cargo Cover to the zipper under the flap on the Cab Cover.



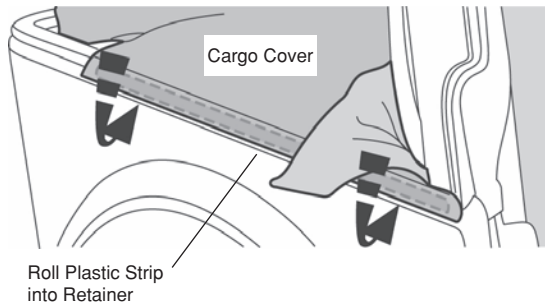
Step Six
INSTALL TAILGATE BAR

Slide the "C" channel on the Tailgate Bar onto the tubed strip sewn to the rear of the Duster™ Deck Cover. Insert the Tailgate Bar into the mounts on each side of the tailgate opening.



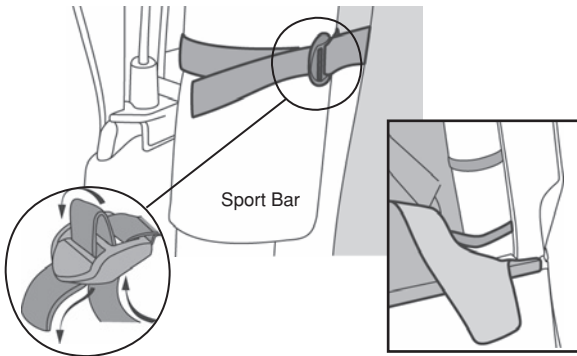
Step Seven
SECURE PLASTIC STRIPS

Roll the plastic strip on each side of the Duster™ Deck Cover into the retainer channel on the vehicle.



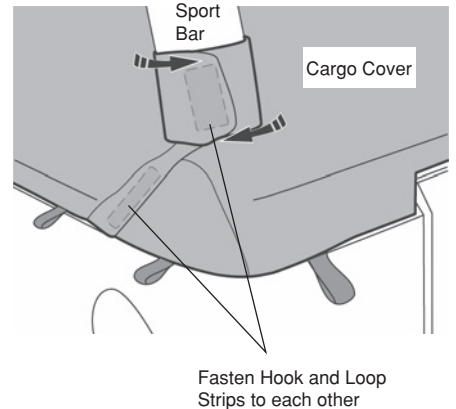
Step Eight
SECURE STRAPS

Wrap the straps on the front of the Duster™ Deck Cover around the sport bar and the bows. Thread the end through the buckle.



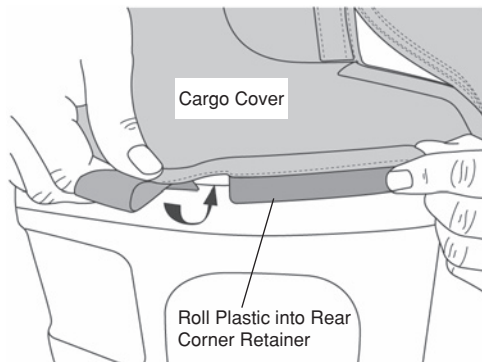
Step Ten
SECURE COLLARS

Wrap the two (2) collars around the rear sport bars and fasten the hook and loop strips to each other.



Step Nine
SECURE REAR CORNERS

Roll the plastic strip on the rear corners of the Cargo Cover into the retainer channel on the vehicle.



Care and Maintenance of your New Cargo Cover

Your Cargo Cover is made of the finest materials available. To keep it looking new and for the maximum possible wear, it will need periodic cleaning and maintenance.

Washing: The fabric should be washed often using soap, warm water and a soft bristle brush. Rinse with clear water to remove all traces of soap.

Water: Seeping through at the seams may be stopped by applying 3-M Scotchgard® on the inside of the seams. Rips in the fabric may be repaired with Bondex® iron on patches. Iron the patches to the Inside of the top, carefully following the Bondex® instructions.

LIMITED WARRANTY

We warrant our product to be free from defects in material and workmanship, for terms specified below, provided there has been normal use and proper maintenance. This warranty applies to the original purchaser only. All remedies under this warranty are limited to the repair or replacement of any item or items found by the factory to be defective within the time period specified.

If you have a warranty claim, first you must call our factory at the number below for instructions. You must retain proof of purchase and submit a copy with any items returned for warranty work. Upon completion of warranty work, if any, we will return the repaired or replaced item or items to you freight prepaid. Damage to our products caused by accidents, fire, vandalism, negligence, misinstallation, misuse, Acts of God, or by defective parts not manufactured by us, is not covered under this warranty.

THE WARRANTY TIME PERIOD IS AS FOLLOWS: ALL "GOODS" MANUFACTURED BY OUR COMPANY: ONE YEAR FROM DATE OF PURCHASE.

ANY IMPLIED WARRANTIES OF MERCHANTABILITY AND/OR FITNESS FOR A PARTICULAR PURPOSE CREATED HEREBY ARE LIMITED IN DURATION TO THE SAME DURATION AND SCOPE AS THE EXPRESS WRITTEN WARRANTY. OUR COMPANY SHALL NOT BE LIABLE FOR ANY INCIDENTAL OR CONSEQUENTIAL DAMAGE.

Some states do not allow limitations on how long an implied warranty lasts, or the exclusion or limitation of incidental or consequential damages, so the above limitations or exclusions may not apply to you.

This warranty gives you specific legal rights, and you may also have other rights which vary from state to state.

For further information, please contact:

Customer Service
877-638-9509

All or a portion of this product may have been made in China.