







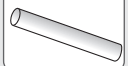
Installation Instructions Windjammer™

Vehicle Application

- Jeep Wrangler Unlimited 4-Door
2007 to current
Part Number: 80039

www.Bestop.com - We're here to help! Visit our web site and click on "[Ask a Question](#)". Click here for more [Jeep Accessories by Bestop](#).

| INSTALLATION TIME | SKILL LEVEL |
|---|---|
|  1/2 Hour |  1 - Easy |

| TOOLS | | |
|---|---|--|
|  Safety Glasses |  Phillips Screwdriver |  Chalk |



Note: To fit behind the rear seat must be installed with Duster™ 90031. See pages 2 & 3 for installation instructions.




Note: To fit behind the front seat must be installed with Duster™ 90031 plus Duster™ Extension 90034. See pages 4 & 5 for installation instructions.


Installation Tips

Before you begin installing this assembly, read all instructions thoroughly.

For a smooth fit:

For ease in installation, the product should be installed at temperatures above 72° F. Below this temperature, the fabric may contract an inch or more, making it difficult to fit to the vehicle. It is normal for fabric to contract and wrinkle when stored in the shipping carton. Within a few days after the installation, the fabric will relax and the wrinkles will disappear.

 **CAUTION** Safety glasses should be worn at all times while installing this product.

 **WARNING** This product is designed primarily to enhance the appearance of the vehicle and to shield the occupants from ordinary weather conditions. Do not rely in any way on the components of this product to contain occupants within the vehicle, or to protect against injury or death in the event of an accident. This product will not protect the occupants from falling objects. Never operate the vehicle in excess of manufacturer's specifications.

WEAR SEAT BELTS AT ALL TIMES

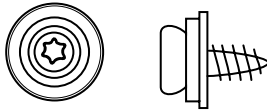
Read and follow, precisely, all installation instructions provided when installing product. Failure to do so may result in a poor fit and could place occupants of the vehicle in a potentially dangerous situation.

Windjammer™ – Installation Instructions to Install Behind Rear Seat

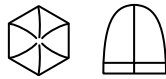
Parts List

Windjammer™ Qty - 1

Snap Head Screw,
Part Number 200.49,
Qty - 3

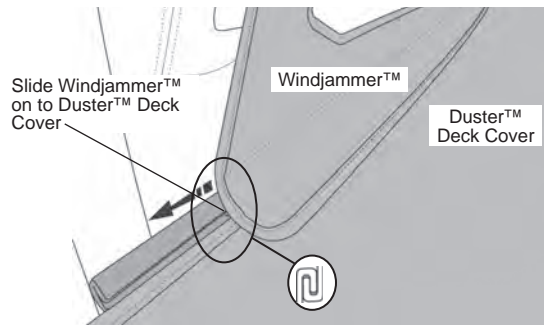


Acorn Locknut, Part
Number 427.11,
Qty - 3



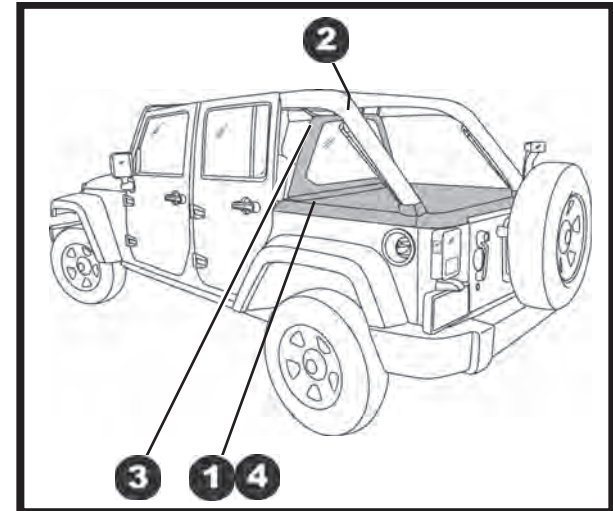
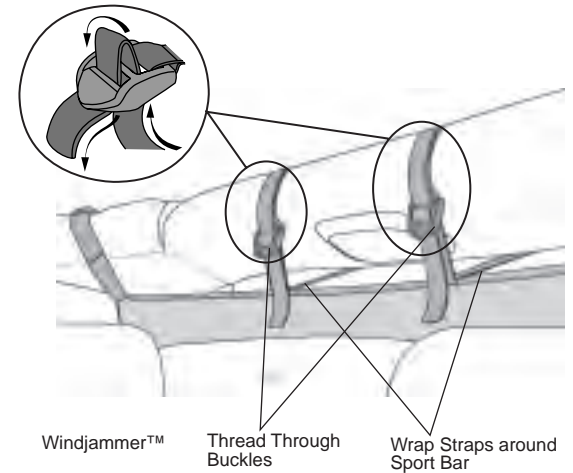
1 Secure Duster™ Deck Cover to Windjammer™

Duster™ 9003 must be installed before installing the Windjammer™. Orient the Windjammer™ with the window toward the top and with the vinyl Side out. Slide the plastic hook inside the bottom of the Windjammer™ onto the plastic hook along the front of the Duster™ Deck Cover.



2 Secure Center Straps

Attach the web straps, starting with the center straps, and thread the end of each strap around the sport bar and through each buckle. Loosely tighten each strap to hold the Windjammer™ in position.



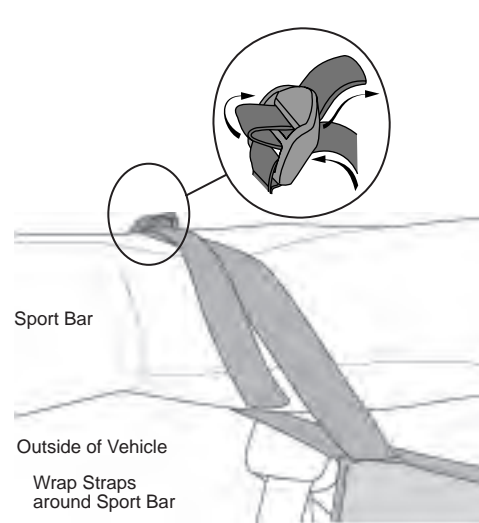
Windjammer™ – Installation Instructions to Install Behind Rear Seat, continued

3 Secure Outside Straps

Wrap the outside straps around the sport bar to the outside and thread the ends through the buckles.

Tighten all the straps.

To secure the loose end of the straps, roll the ends, if necessary, and fasten the hook and loop.

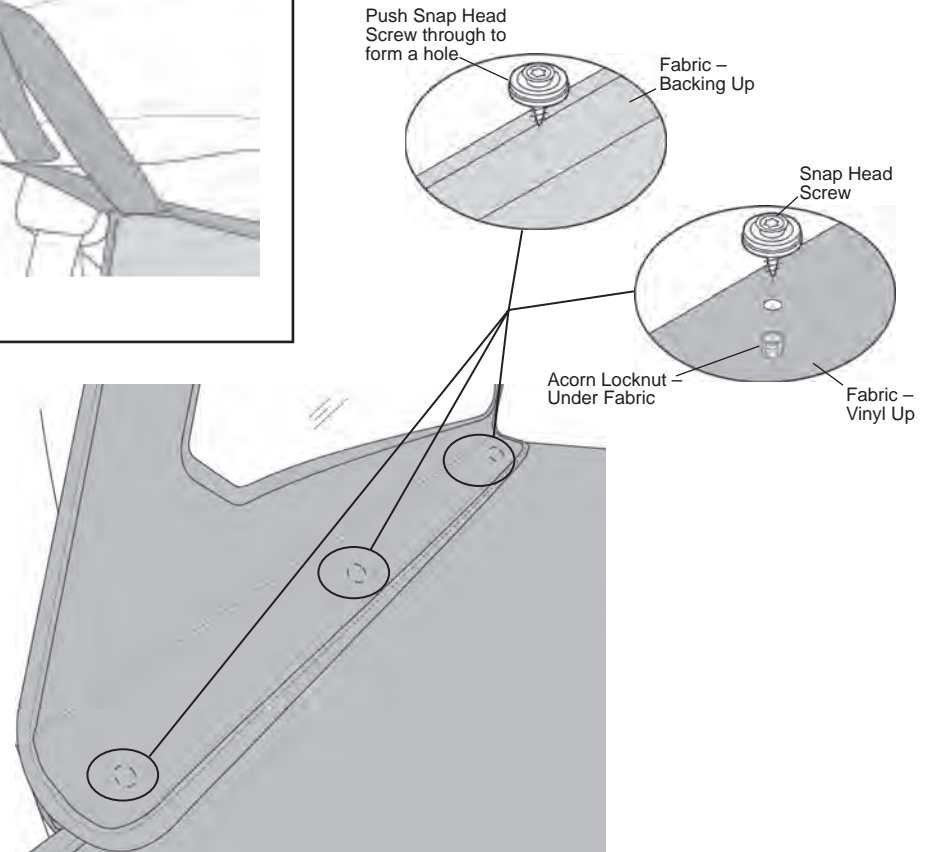


4 Install Snaps to Secure Duster™ Deck Cover to Windjammer™ – Optional

Pull the flap on the rear of the Windjammer™ out over the top of the front edge of the Duster™ Deck Cover.

Rub chalk on the snaps on the Windjammer™ flap. Pull up on the front reinforced edge of the Duster™ Deck Cover and press the snaps against the Duster™ Deck Cover to mark the locations.

At the marked locations, push the sharp end of a Snap Head Screw through the Duster™ Deck Cover from the backing side and through both layers of fabric, to make a hole. Once the hole is formed, pull the screw back out of the hole. Then push the screw through the hole from the vinyl side so that the snap is on top of the vinyl. Install an Acorn Locknut over the pointed end of the Snap Head Screw.



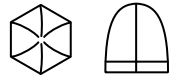
Windjammer™ – Installation Instructions to Install Behind Front Seat

Parts List Windjammer™ Qty - 1

Snap Head Screw,
Part Number 200.49,
Qty - 3

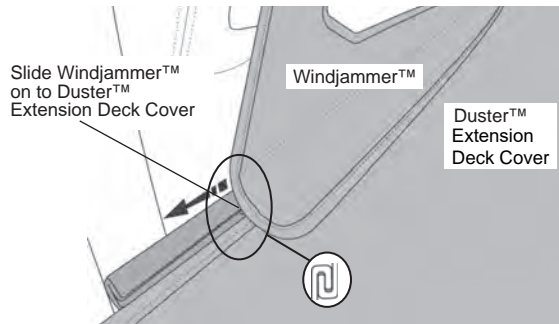


Acorn Locknut, Part
Number 427.11,
Qty - 3



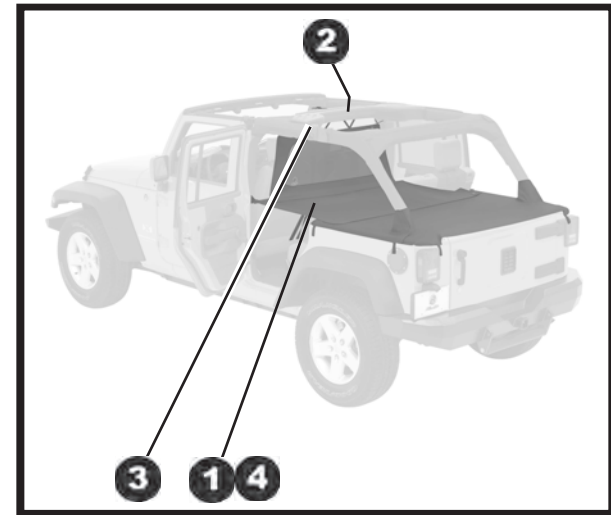
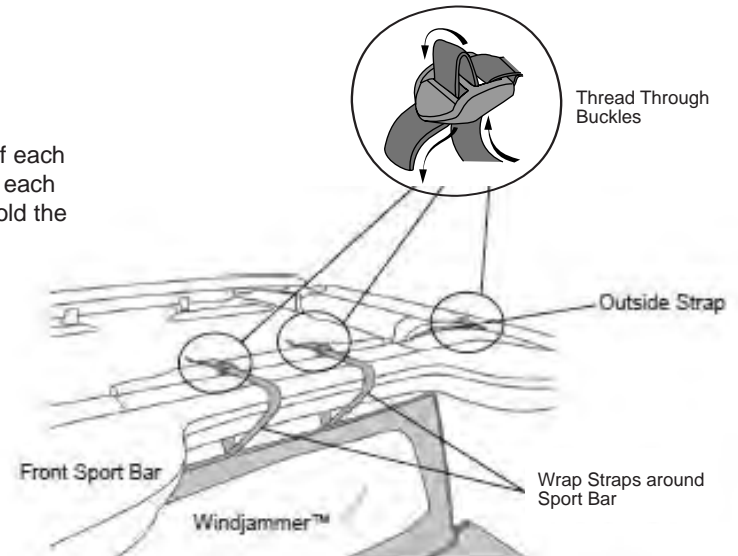
1 Secure Windjammer™ to Duster™ Extension Deck Cover

Duster™ 9003 and Duster™ Extension 90034 must be installed before installing the Windjammer™. Make sure the rear seats are folded down following the instructions for the Duster™ Extension. Orient the Windjammer™ with the window toward the top and with the vinyl side out. Slide the plastic hook inside the bottom of the Windjammer™ onto the plastic hook along the front of the Duster™ Extension.



2 Secure Center Straps

Attach the web straps, starting with the center straps, and thread the end of each strap around the sport bar and through each buckle. Loosely tighten each strap to hold the Windjammer™ in position.



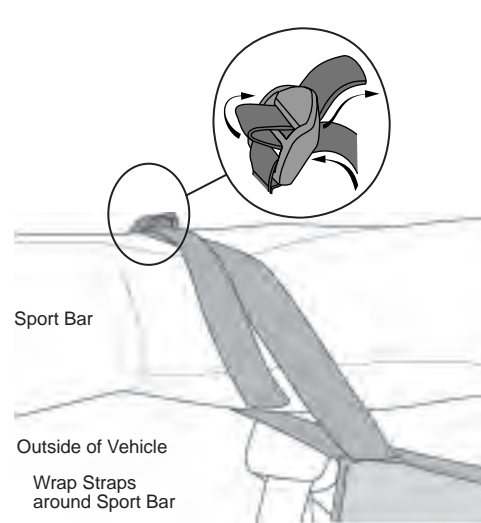
Windjammer™ – Installation Instructions to Install Behind Front Seat, continued

3 Secure Outside Straps

Wrap the outside straps around the sport bar to the outside and thread the ends through the buckles.

Tighten all the straps.

To secure the loose end of the straps, roll the ends, if necessary, and fasten the hook and loop.

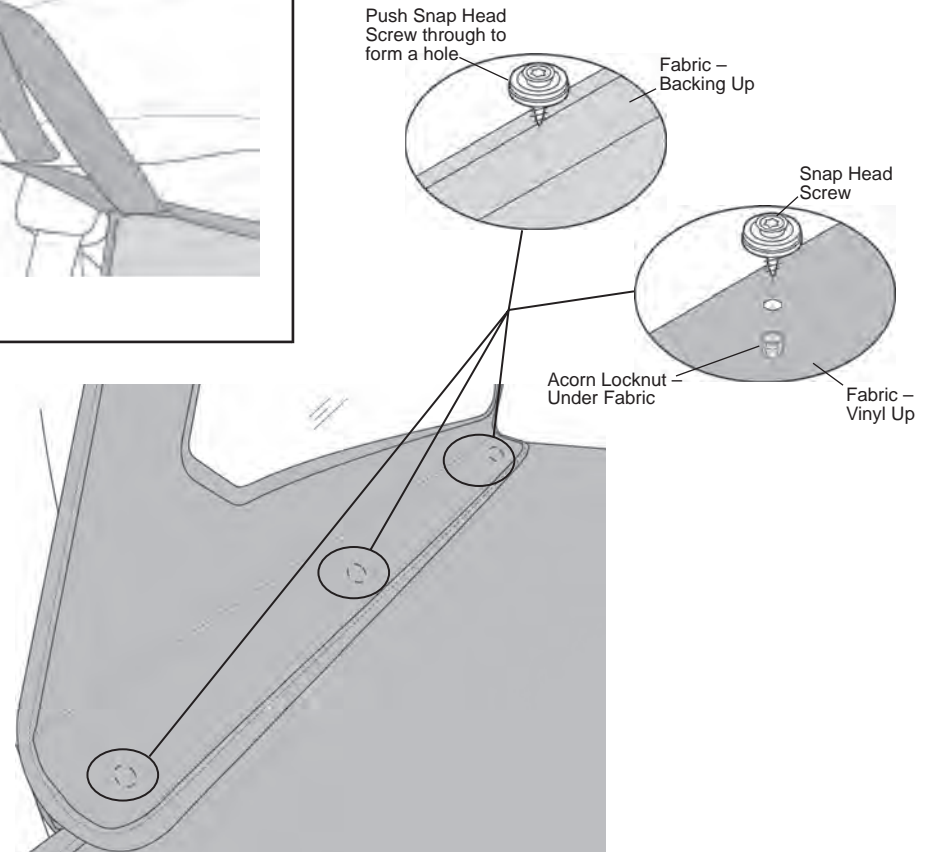


4 Install Snaps to Secure Duster™ Extension to Windjammer™ – Optional

Pull the flap on the rear of the Windjammer™ out over the top of the front edge of the Duster™ Extension.

Rub chalk on the snaps on the Windjammer™ flap. Pull up on the front reinforced edge of the Duster™ Extension and press the snaps against the Duster™ Extension to mark the locations.

At the marked locations, push the sharp end of a Snap Head Screw through the Duster™ Extension from the backing side and through both layers of fabric, to make a hole. Once the hole is formed, pull the screw back out of the hole. Then push the screw through the hole from the vinyl side so that the snap is on top of the vinyl. Install an Acorn Locknut over the pointed end of the Snap Head Screw.



Windjammer™ – Installation Instructions

Care and Maintenance of your Bestop Product

Your Bestop product is made of the finest materials available. To keep it looking new and for the maximum possible wear, it will need periodic cleaning and maintenance.

Washing: The fabric should be washed often using soap, warm water and a soft bristle brush. Rinse with clear water to remove all traces of soap or use Bestop-recommended Bestop Cleaner and Bestop Protectant. Bestop Cleaner and Bestop Protectant are specially formulated to provide a total cleaning and protection system. Bestop Cleaner will not harm vehicle finish, is biodegradable and environmentally friendly. Bestop Protectant protects against UV-fading, cracking and hardening.

Windows: Keep windows clean to avoid scratching. DO NOT use a brush on the windows! Wash with a water-soaked cloth or sponge and a mild dishwashing detergent. Bestop-recommends Bestop Vinyl Window Cleaner (part no. 11203-00), which safely cleans and protects vinyl windows and helps prevent UV damage. NEVER WIPE THE WINDOWS WHEN THEY ARE DRY. Be careful when cleaning snow or frost from the vinyl windows since they are easily scratched and may crack in cold temperatures. DO NOT roll the sides or rear window in cold weather. The windows become stiff and will crack. Cracks caused by misuse in cold temperatures are not covered under warranty.

Water: Seeping through at the seams may be stopped by applying 3-M Scotchgard® on the inside of the seams. Rips in the fabric may be repaired with Bondex® iron on patches. Iron the patches to the Inside of the top, carefully following the Bondex® instructions.

LIMITED WARRANTY

We warrant our product to be free from defects in material and workmanship, for the terms specified below, provided there has been normal use and proper maintenance. This warranty applies to the original purchaser only. All remedies under this warranty are limited to the repair or replacement of any item or items found by the factory to be defective within the time period specified. If you have a warranty claim, first you must call our factory at the number below for instructions. You must retain proof of purchase and submit a copy with any items returned for warranty work. Upon completion of warranty work, if any, we will return the repaired or replaced item or items to you freight prepaid. Damage to our products caused by accidents, fire, vandalism, negligence, misinstallation, misuse, Acts of God, or by defective parts not manufactured by us, is not covered under this warranty.

THE WARRANTY TIME PERIOD IS AS FOLLOWS FOR REPLACE-A-TOP™, SAILCLOTH REPLACE-A-TOP™, SUPERTOP®, SUPERTOP® REPLACEMENT SKINS, SUNRIDER®, AND TIGERTOP®: TWO YEARS FROM DATE OF PURCHASE.

THE WARRANTY TIME PERIOD IS AS FOLLOWS FOR ALL OTHER "SOFT GOODS" MANUFACTURED BY OUR COMPANY (USING PRIMARILY VINYL, PLASTICS, AND/OR FOAM): ONE YEAR FROM DATE OF PURCHASE.

THE WARRANTY TIME PERIOD IS AS FOLLOWS FOR ALL OTHER "HARD GOODS" MANUFACTURED BY OUR COMPANY (USING PRIMARILY METALS, PLASTICS, AND/OR FIBERGLASS): ONE YEAR FROM DATE OF PURCHASE.

ANY IMPLIED WARRANTIES OF MERCHANTABILITY AND/OR FITNESS FOR A PARTICULAR PURPOSE CREATED HEREBY ARE LIMITED IN DURATION TO THE SAME DURATION AND SCOPE AS THE EXPRESS WRITTEN WARRANTY. OUR COMPANY SHALL NOT BE LIABLE FOR ANY INCIDENTAL OR CONSEQUENTIAL DAMAGE.

Some states do not allow limitations on how long an implied warranty lasts, or the exclusion or limitation of incidental or consequential damages, so the above limitations or exclusions may not apply to you. This warranty gives you specific legal rights, and you may also have other rights which vary from state to state.



For further information or request for warranty work, please contact:
Bestop Inc., Customer Service
Toll-Free: (800)845-3567
Main: (303)465-1755
E-mail: csbestop@Bestop.com
Website: www.Bestop.com