




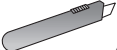

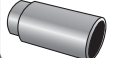

Installation Instructions Sport Bar Cover

Vehicle Application

- Jeep Wrangler 4 Door
2007
Part Number: 80025

www.Bestop.com - We're here to help! Visit our web site and click on "Ask a Question". Click here for more [Jeep Accessories by Bestop](#).

INSTALLATION TIME	SKILL LEVEL
 <p>3/4 Hour</p>	<p>1 2 3 4</p> <p>2 - Moderately Easy</p>

TOOLS			
<p>Utility Knife</p> 	<p>Ratchet</p> 	<p>Socket</p>  <p>10mm</p>	<p>Safety Glasses</p> 





Installation Tips

Before you begin installing this assembly, read all instructions thoroughly.

For a smooth fit:

For ease in installation, the product should be installed at temperatures above 72° F. Below this temperature, the fabric may contract an inch or more, making it difficult to fit to the vehicle. It is normal for fabric to contract and wrinkle when stored in the shipping carton. Within a few days after the installation, the fabric will relax and the wrinkles will disappear.

 **CAUTION** Safety glasses should be worn at all times while installing this product.

 **WARNING** This product is designed primarily to enhance the appearance of the vehicle and to shield the occupants from ordinary weather conditions. Do not rely in any way on the components of this product to contain occupants within the vehicle, or to protect against injury or death in the event of an accident. This product will not protect the occupants from falling objects. Never operate the vehicle in excess of manufacturer's specifications.

WEAR SEAT BELTS AT ALL TIMES

Read and follow, precisely, all installation instructions provided when installing product. Failure to do so may result in a poor fit and could place occupants of the vehicle in a potentially dangerous situation.

Sport Bar Cover – Installation Instructions

Parts List

Rear Sport Bar Cover	Qty - 1
Front Sport Bar Cover, Lt.	Qty - 1
Front Sport Bar Cover, Rt.	Qty - 1

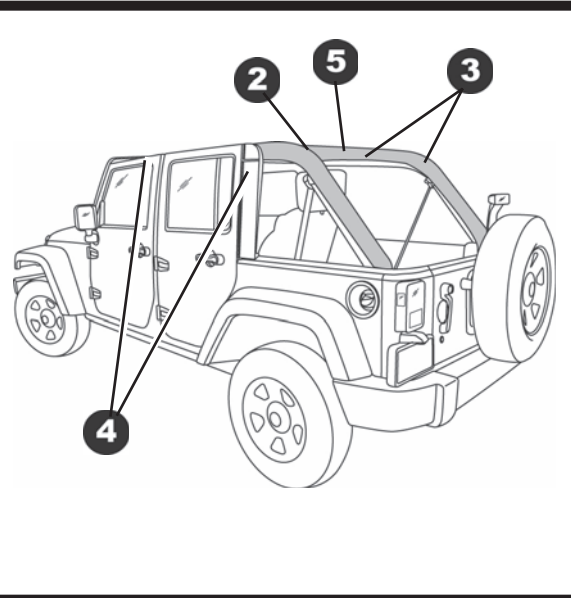
1 Lower Soft Top

If your vehicle has a soft top, release the top from the windshield and lay the top and bows down on the tailgate.

2 Remove Speaker Bar

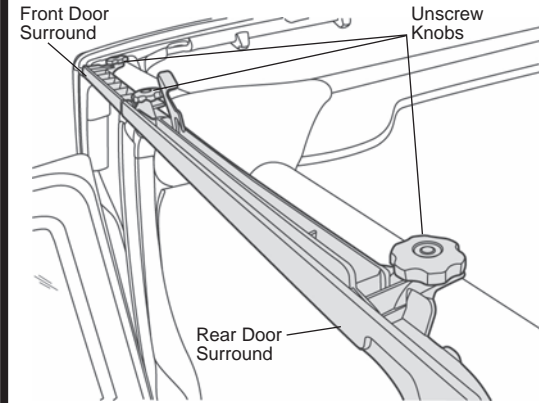
Use the 10mm Socket to remove the bolts that secure the Speaker Bar.

Locate the wires and connector on the passenger side of the vehicle. Lift up on the tab on the connector to release the wires. Set the Speaker Bar and bolts aside to be reinstalled later.



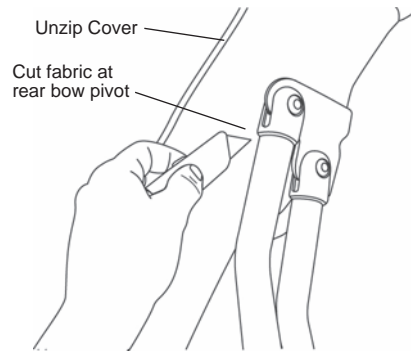
4 Remove Front and Rear Door Surrounds (Soft Top Only)

Unscrew the knobs above the front and rear door openings. Remove the front door surround first, then the rear door surround.



3 Remove Existing Sport Bar Covers

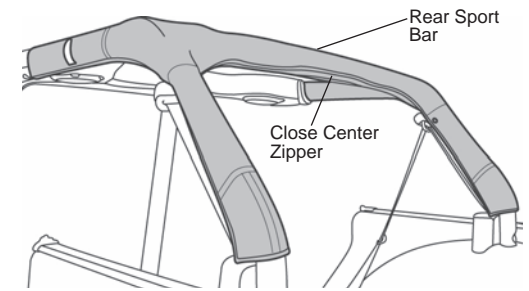
If your vehicle has sport bar covers, you must remove them before beginning this installation. Unzip the covers and cut them off at the rear bow pivot.



5 Orient the Rear Sport Bar Cover on Vehicle

Orient the Rear Sport Bar Cover on the vehicle with the Bestop label on the rear leg on the passenger's side.

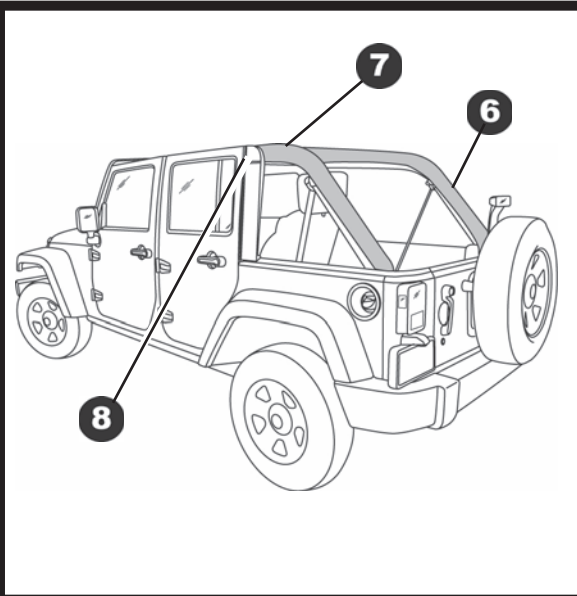
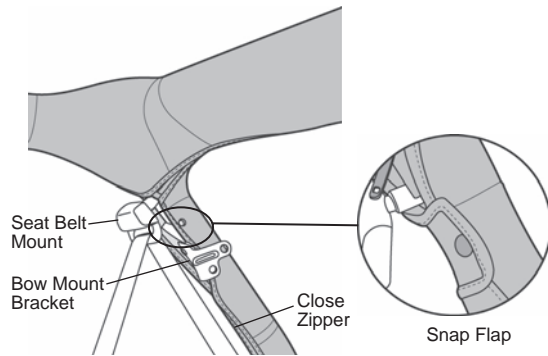
Zip the Rear Sport Bar Cover closed around the rear sport bar.



Sport Bar Cover – Installation Instructions

6 Secure the Rear Legs of the Rear Sport Bar Cover

Wrap the fabric around the rear leg of the rear sport bar. Start the zipper at the bottom of the leg and close it up to the bow mount bracket. Tuck the fabric under the seat belt mount and snap the cover closed. Repeat with the other leg.



8 Orient Front Sport Bar Cover

Place one of the Front Sport Bar Covers on the vehicle with the long leg toward the windshield. Wrap the fabric around the sport bar above the door and close the zipper. Pull down gently on the plastic molding near the windshield to allow the fabric under the housing. Make sure the openings in the fabric line up with the Door Surround Mounting holes.

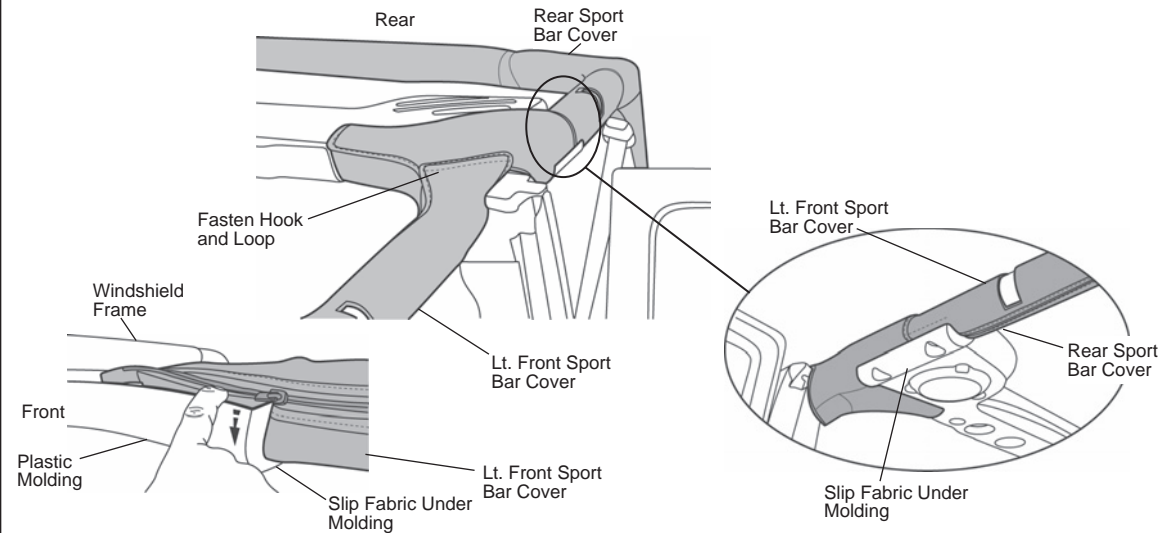
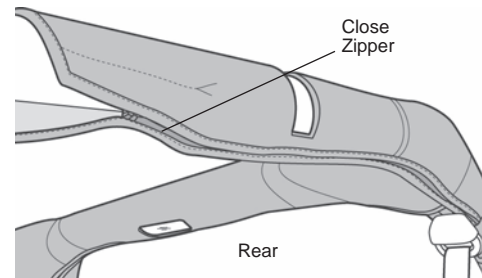
Wrap the fabric around the sport bar between the front and rear doors and fasten the hook and loop flaps. Tuck the zipper pull under the cover. Tuck the cover under the plastic pillar molding between the front and rear doors.

Repeat this procedure on the other side of the vehicle.

NOTE The zipper goes to the inside of the horizontal bar with the hole to the outside.

7 Secure the Front Legs of the Rear Sport Bar Cover

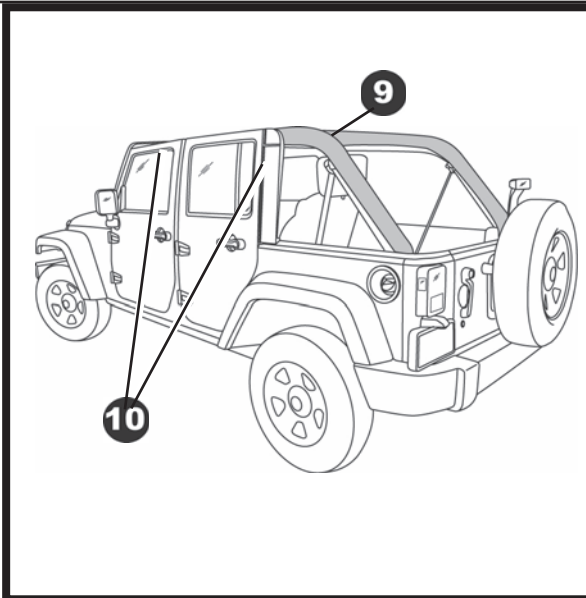
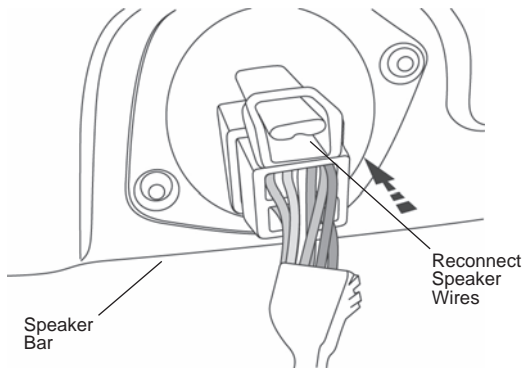
Wrap the front legs of the Rear Sport Bar Cover around the horizontal bar and close the zippers. Tuck the fabric under the plastic molding. Repeat on the other side.



Sport Bar Cover – Installation Instructions

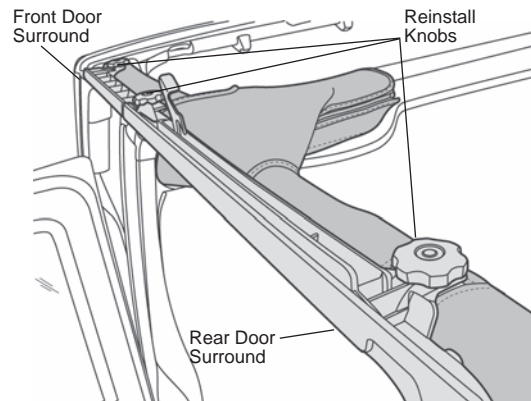
9 Reinstall Speaker Bar

Pre-cut holes in the fabric allow access for the push fasteners, wiring and bolts to reinstall the speaker bar. Reconnect the wiring and use a 10mm socket to tighten the bolts.



10 Reinstall Door Surrounds

Reinstall the front and rear door surrounds.



Sport Bar Cover – Installation Instructions

Care and Maintenance of your Bestop Product

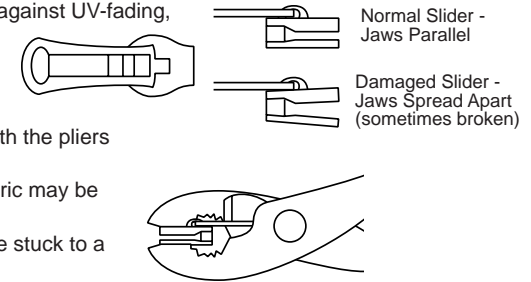
Your Bestop product is made of the finest materials available. To keep it looking new and for the maximum possible wear, it will need periodic cleaning and maintenance.

Washing: The fabric should be washed often using soap, warm water and a soft bristle brush. Rinse with clear water to remove all traces of soap or use Bestop-recommended Bestop Cleaner and Bestop Protectant. Bestop Cleaner and Bestop Protectant are specially formulated to provide a total cleaning and protection system. Bestop Cleaner will not harm vehicle finish, is biodegradable and environmentally friendly. Bestop Protectant protects against UV-fading, cracking and hardening.

Zippers: Keeping the zipper cleaned and lubricated with a silicone lubricant will help prevent damage and keep the zippers in a smooth working condition. If a zipper opens behind the slider, the slider may have been spread apart. This problem can usually be repaired by using an ordinary pair of pliers to bring the sides back into parallel. Return slider to the end of the zipper in the normal Open position. Squeeze lightly at first and test the zipper. If the zipper continues to remain open squeeze more firmly with the pliers and try the zipper again. Repeat this procedure until the zipper operates correctly.

Water: Seeping through at the seams may be stopped by applying 3-M Scotchgard® on the inside of the seams. Rips in the fabric may be repaired with Bondex® iron on patches. Iron the patches to the Inside of the top, carefully following the Bondex® instructions.

Snaps: Keep snaps cleaned and lubricated with silicone to help prevent snaps from sticking to the studs. If a snap does become stuck to a stud, use a screwdriver and GENTLY pry apart to prevent permanent damage to the snap or the top fabric.



LIMITED WARRANTY

We warrant our product to be free from defects in material and workmanship, for the terms specified below, provided there has been normal use and proper maintenance. This warranty applies to the original purchaser only. All remedies under this warranty are limited to the repair or replacement of any item or items found by the factory to be defective within the time period specified. If you have a warranty claim, first you must call our factory at the number below for instructions. You must retain proof of purchase and submit a copy with any items returned for warranty work. Upon completion of warranty work, if any, we will return the repaired or replaced item or items to you freight prepaid. Damage to our products caused by accidents, fire, vandalism, negligence, misinstallation, misuse, Acts of God, or by defective parts not manufactured by us, is not covered under this warranty.

THE WARRANTY TIME PERIOD IS AS FOLLOWS FOR REPLACE-A-TOP™, SAILCLOTH REPLACE-A-TOP™, SUPERTOP®, SUPERTOP® REPLACEMENT SKINS, SUNRIDER®, AND TIGERTOP®: TWO YEARS FROM DATE OF PURCHASE.

THE WARRANTY TIME PERIOD IS AS FOLLOWS FOR ALL OTHER “SOFT GOODS” MANUFACTURED BY OUR COMPANY (USING PRIMARILY VINYL, PLASTICS, AND/OR FOAM): ONE YEAR FROM DATE OF PURCHASE.

THE WARRANTY TIME PERIOD IS AS FOLLOWS FOR ALL OTHER “HARD GOODS” MANUFACTURED BY OUR COMPANY (USING PRIMARILY METALS, PLASTICS, AND/OR FIBERGLASS): ONE YEAR FROM DATE OF PURCHASE.

ANY IMPLIED WARRANTIES OF MERCHANTABILITY AND/OR FITNESS FOR A PARTICULAR PURPOSE CREATED HEREBY ARE LIMITED IN DURATION TO THE SAME DURATION AND SCOPE AS THE EXPRESS WRITTEN WARRANTY. OUR COMPANY SHALL NOT BE LIABLE FOR ANY INCIDENTAL OR CONSEQUENTIAL DAMAGE.

Some states do not allow limitations on how long an implied warranty lasts, or the exclusion or limitation of incidental or consequential damages, so the above limitations or exclusions may not apply to you. This warranty gives you specific legal rights, and you may also have other rights which vary from state to state.



For further information or request for warranty work, please contact:
Bestop Inc., Customer Service
Toll-Free: (800)845-3567
Main: (303)465-1755
E-mail: csbestop@Bestop.com
Website: www.Bestop.com