



# Installation Instructions Supertop for Trucks

Part Number 77336

## Installation Tips

Before you begin installing your new Supertop for Trucks, please read all the instructions thoroughly.

It is recommended that two people install this Bestop product.

For a smooth fit:

For easier installation, the top should be installed at a temperature above 72° F. Below this temperature, the fabric may contract an inch or more, making it difficult to fit the vehicle. You may let the fabric sit in the sun for 15-20 minutes before installing to let the fabric warm up.

It is normal for the fabric to contract and wrinkle when stored in the shipping carton. Within a few days after installation, the fabric will relax and the wrinkles will disappear.








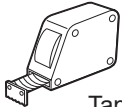


**WARNING** Do not rely in any way on the components of this product to protect against injury or death in the event of an accident. Never operate the vehicle in excess of manufacturer's specifications.

Read and follow, precisely, all installation instructions provided when installing this product. Failure to do so may result in a poor fit and could place occupants of the vehicle in a potentially dangerous situation.



**CAUTION** Safety glasses should be worn at all times when installing this product.

**WEAR SEAT BELTS AT ALL TIMES**

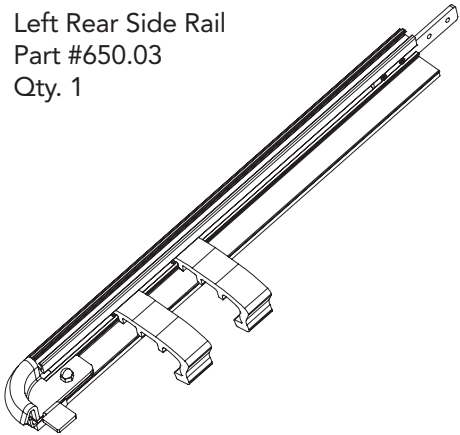
Tools		Installation Time	Support
 Ratchet	 9/16" Socket	 2 hours	We're here to help! Go to: <a href="https://www.bestop.com">https://www.bestop.com</a> and click on Need Help?
- OR -	 5/16" and 9/16" Wrench		
 Safety Glasses	 1/8" Hex Key	<b>Skill Level</b>	
 Tape Measure	 Torque Wrench	 3 - Moderately Difficult	



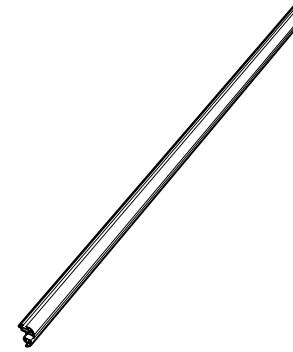
# Installation Instructions Supertop for Trucks

Part Number 77336

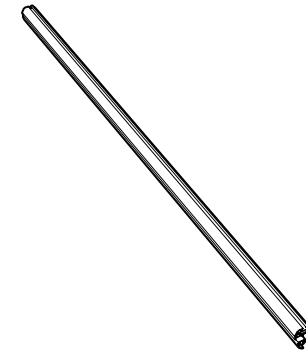
Left Rear Side Rail  
Part #650.03  
Qty. 1



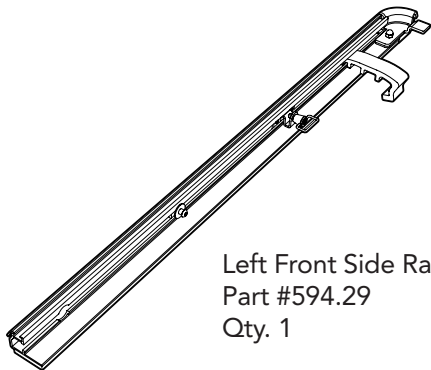
Right Rear Side Rail  
Part #650.02  
Qty. 1



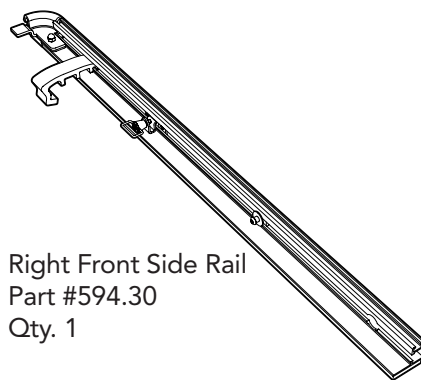
Front Rail  
Part #584.94  
Qty. 1



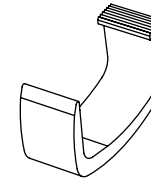
Rear Rail  
Part #584.95  
Qty. 1



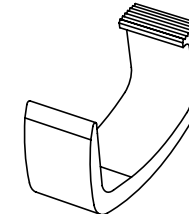
Left Front Side Rail  
Part #594.29  
Qty. 1



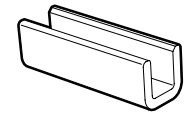
Right Front Side Rail  
Part #594.30  
Qty. 1



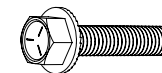
Lower Clamp -  
Small  
Part #595.34  
Qty. 2



Lower Clamp -  
Large  
Part #579.23  
Qty. 4



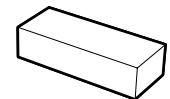
Clamp Pad  
Part #577.39  
Qty. 2



Hex Head Bolt  
3/8-16 x 13/4"  
Part #578.39  
Qty. 6  
9/16" Hex



Set Screw  
Part #573.17  
Qty. 4  
1/8" Hex Key

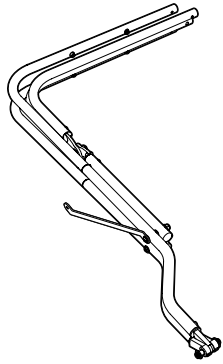


Rubber Pad  
Part #720035  
Qty. 8

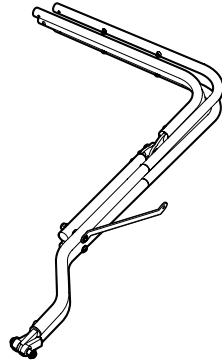


# Installation Instructions Supertop for Trucks

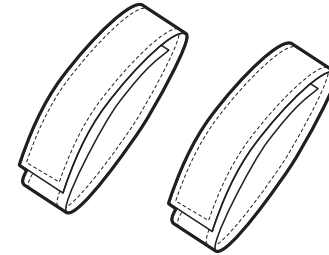
Part Number 77336



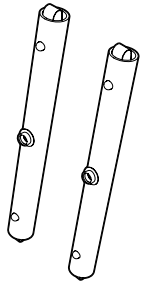
Bow Stack -  
Driver Side  
Part #579.39  
Qty.1



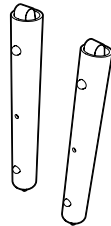
Bow Stack -  
Passenger Side  
Part #579.38  
Qty.1



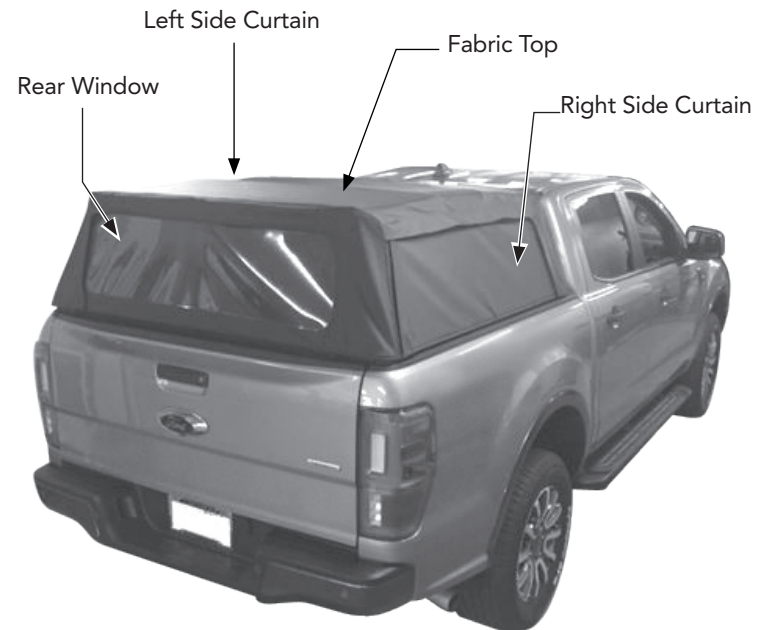
Tie Down Strap  
Part #410.42  
Qty. 2




Bow Coupler  
#1 & #4 Bows  
Part #573.77  
Qty. 2



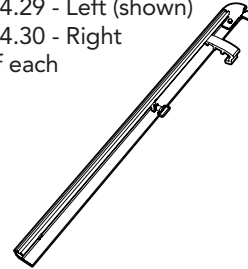
Bow Coupler  
#2 & #3 Bows  
Part #573.79  
Qty. 2



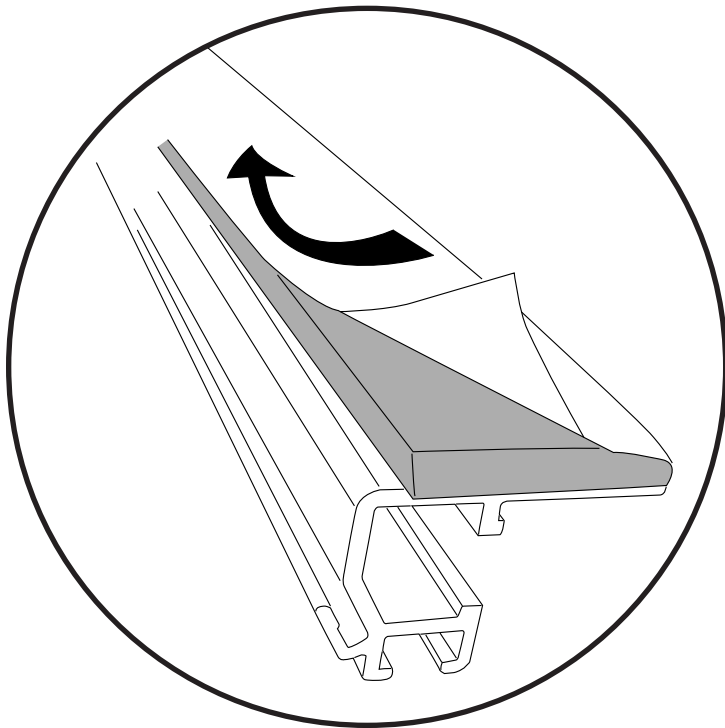
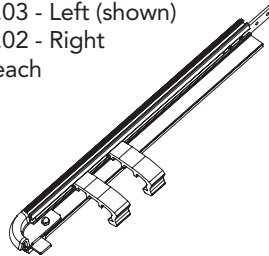
Parts

 Set Screw  
Part #573.17  
Qty. 4

Front Side Rail  
Part #594.29 - Left (shown)  
Part #594.30 - Right  
Qty. 1 of each

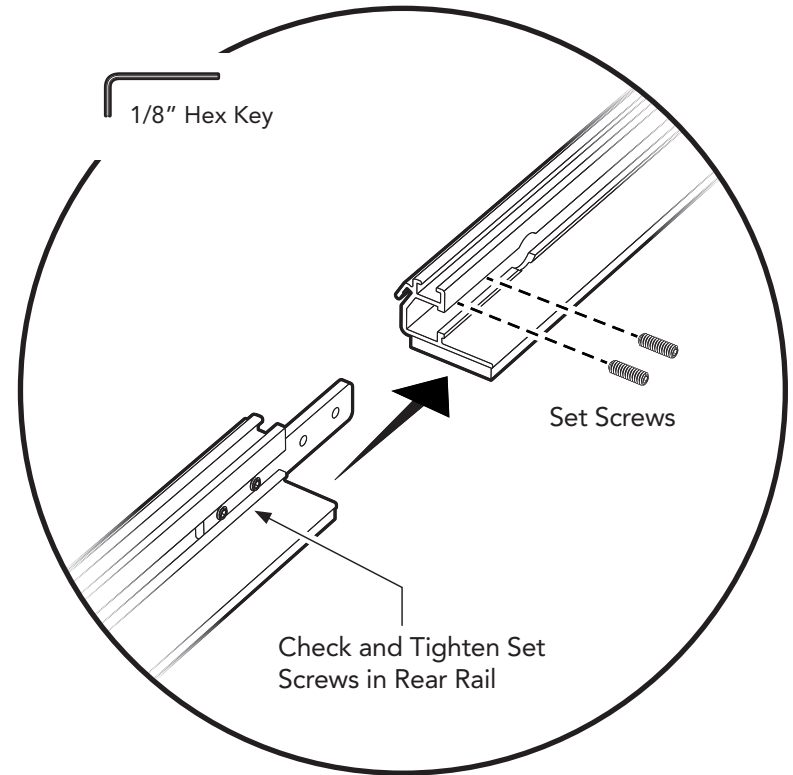


Rear Side Rail  
Part #650.03 - Left (shown)  
Part #650.02 - Right  
Qty. 1 of each



Locate the Foam Tape on the Left and Right Side Rails, and remove the paper backing from the foam tape.

Repeat with the both Side Rails.



 1/8" Hex Key

Set Screws

Check and Tighten Set Screws in Rear Rail

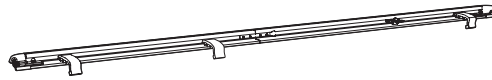
Assemble the Left Front Side Rail and the Left Rear Side Rail.

Slide the rails together, and secure using two set screws.

Check and tighten the two (2) set screws in the rear rail. Tighten set screws to 35 in-lbs torque.

Repeat with the Right Side Rails.

Parts



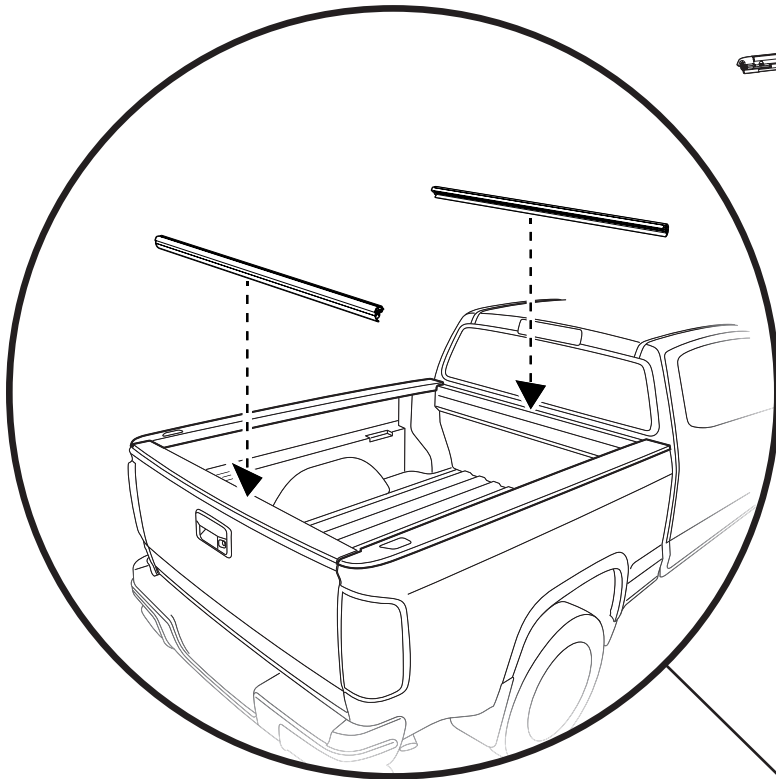
Side Rail Assemblies  
Qty. 1 of each



Front Rail  
Part #584.94  
Qty. 1



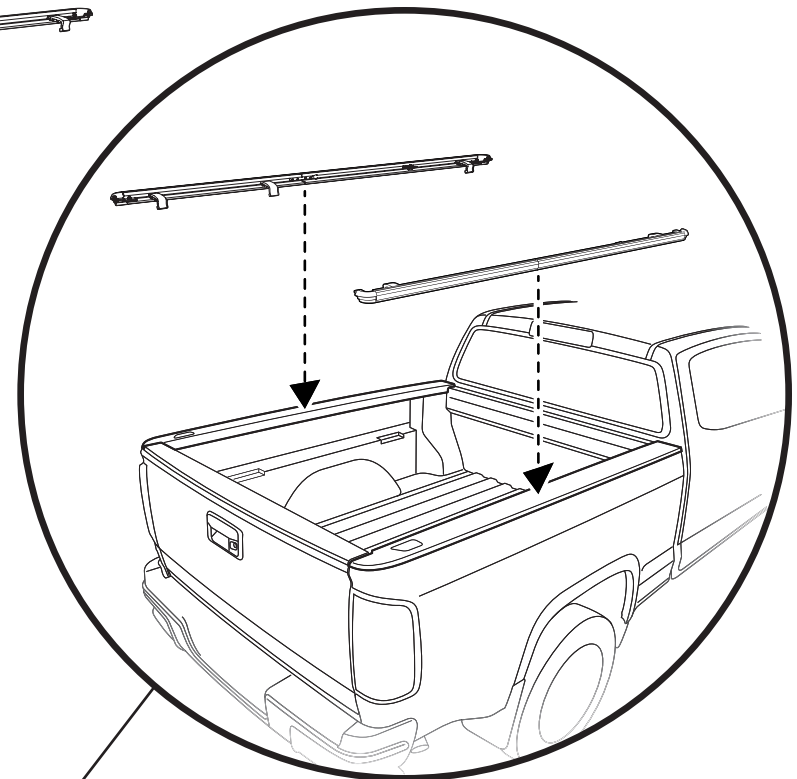
Rear Rail  
Part #584.95  
Qty. 1



Place the Front Rail and Rear Rail onto the truck bed.

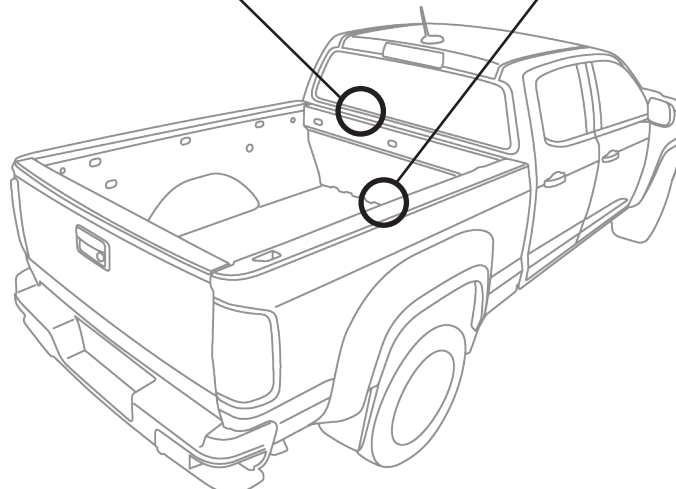
Lay the Rails on top of the truck bed in front, and on top of the plastic bed protector at the rear.

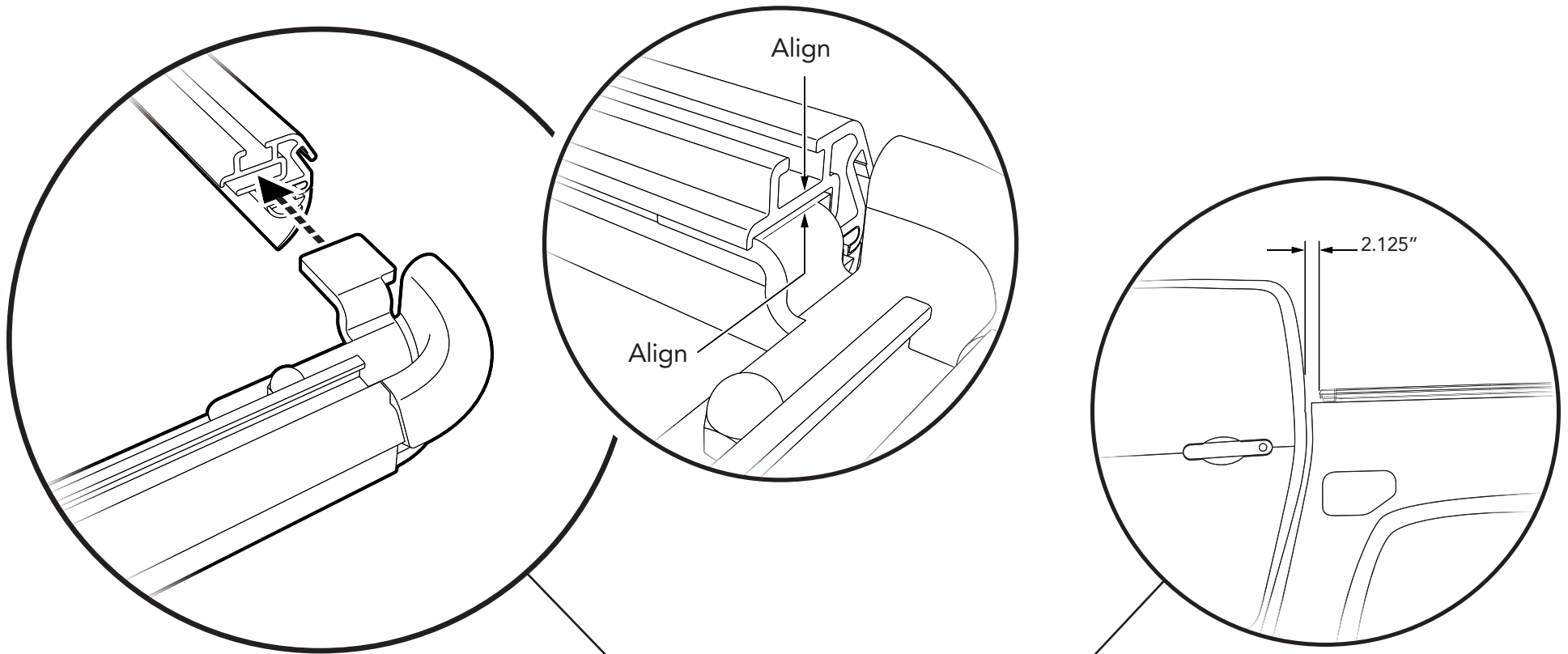
**NOTE:** The Front Rail is longer than the Rear Rail.



Place Side Rail assemblies onto the truck bed. Lay the Rails on top of the plastic bed protectors.

Attach the Side Rails to the Front and Rear Rails.

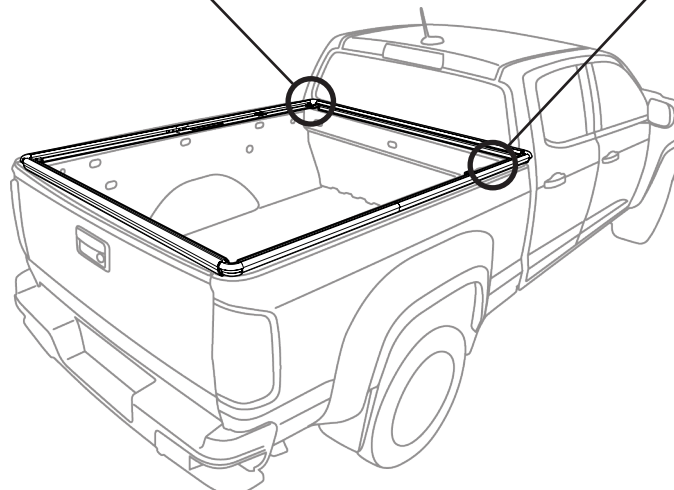




Attach the Front and Rear Rails to the Side Rail Assemblies.

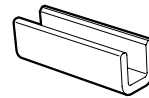
Slide the tabs at the front and rear of the Side Rail Assemblies into the slots in the Front and Rear Rails.

Make sure that the ends of the Front Rail and Rear Rail extrusions are aligned with the tongue of the attachment feature, where the tongue bends, and the small corner protrudes.

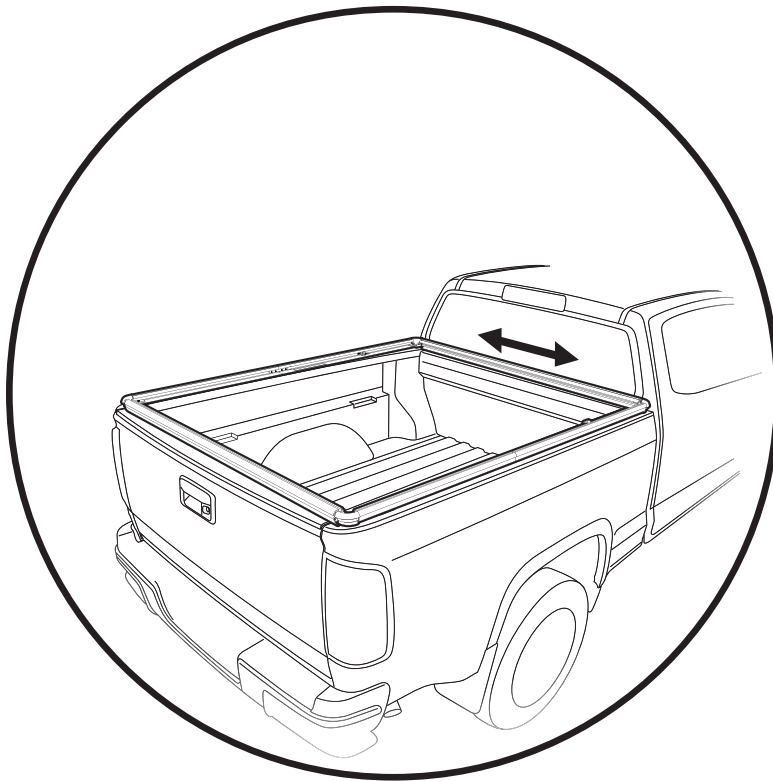


Place the outer edge of both side rail corners 2.125" from the back side of the vehicle cab.

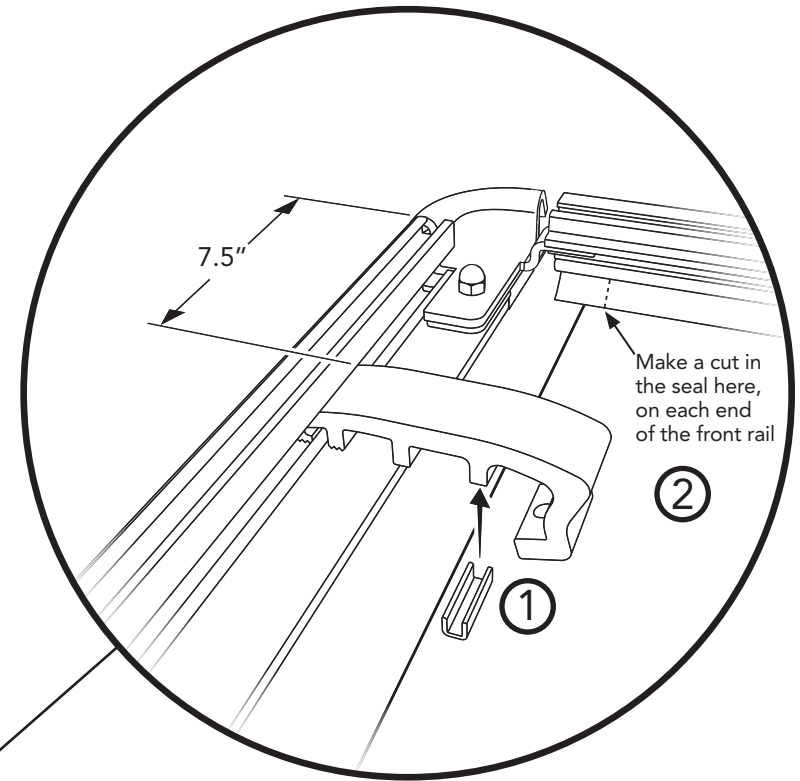
Parts



Clamp Pad  
Part #577.39  
Qty. 2



Adjust the Side and Front and Rear Rail assembly right-to-left to center it on the bed width.

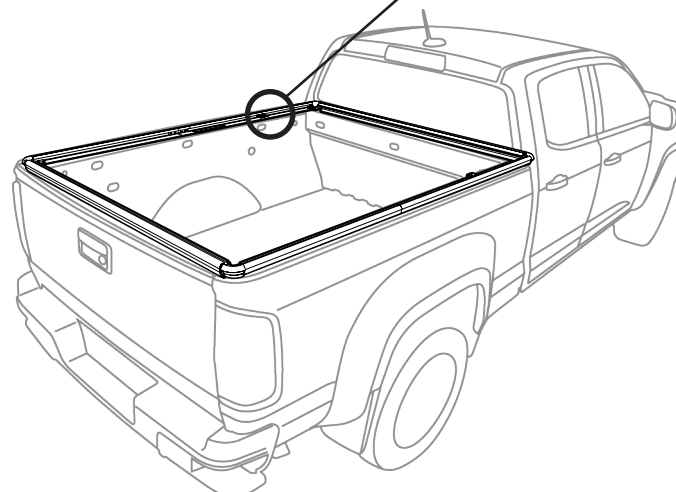


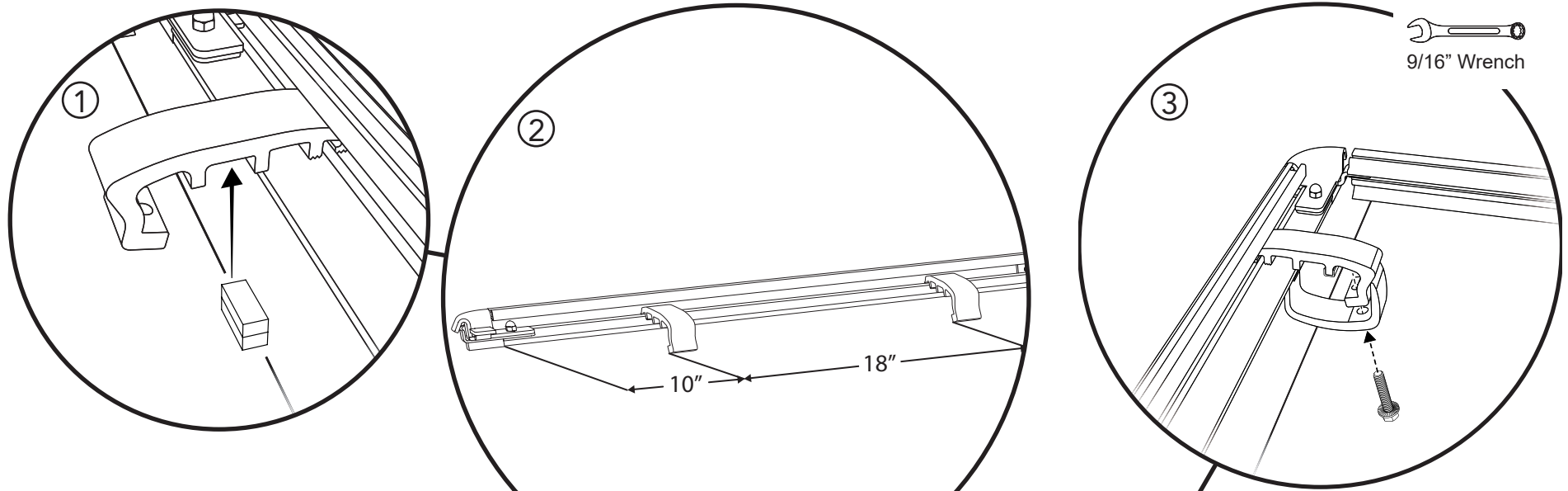
① Attach a Clamp Pad to each Upper Clamp on the Front Side Rails, on the rib farthest from the side rail.

**NOTE:** The Clamp Pads must rest on top of the bed rail cap after installation.

The Upper Clamp should be located 7.5" from the end of the Front Side Rail.

② Make two cuts in the seal on the bottom of the front rail, in line with the inner edge of the bed rail cap, so that the seal will lay flat against the bed bulkhead.





- 1 Attach two (2) Rubber Pads together, and stick them to the Rear and Center Rail Clamps, between the rib farthest from the rail, and the next rib.

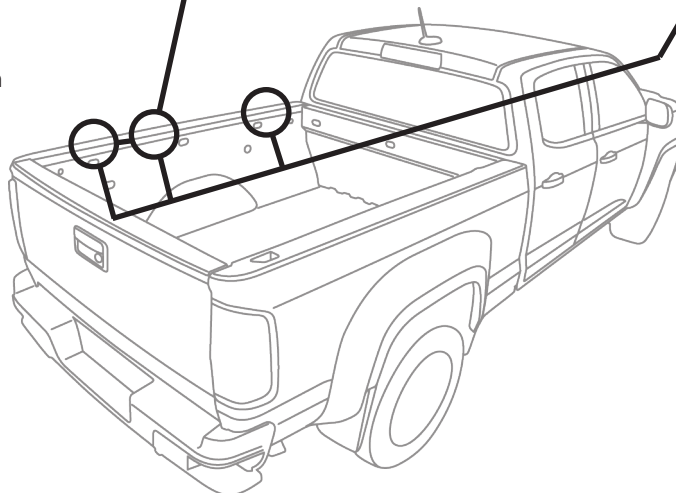
**NOTE :** The Rubber Pads must rest on top of the bed rail cap after installation.

- 2 The Rear Clamps should be located 10" from the end of each Rear Side Rail and 18" between the Rear and Center Clamps.

- 3 Attach Large Lower Clamps to the rear pre-assembled Upper Clamps on the Side Rails, using one (1) Hex Head Bolt for each clamp.

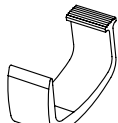
Attach Small Lower Clamps to the front pre-assembled Upper Clamps on the Side Rails, using one (1) Hex Head Bolt for each clamp.

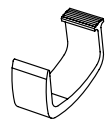
Check alignment of the Rail Assembly and tighten all bolts to 55 in/lbs torque.





**Parts**

 Rubber Pad  
Part #720035  
Qty. 8

 Lower Clamp - Large  
Part #579.23  
Qty. 4

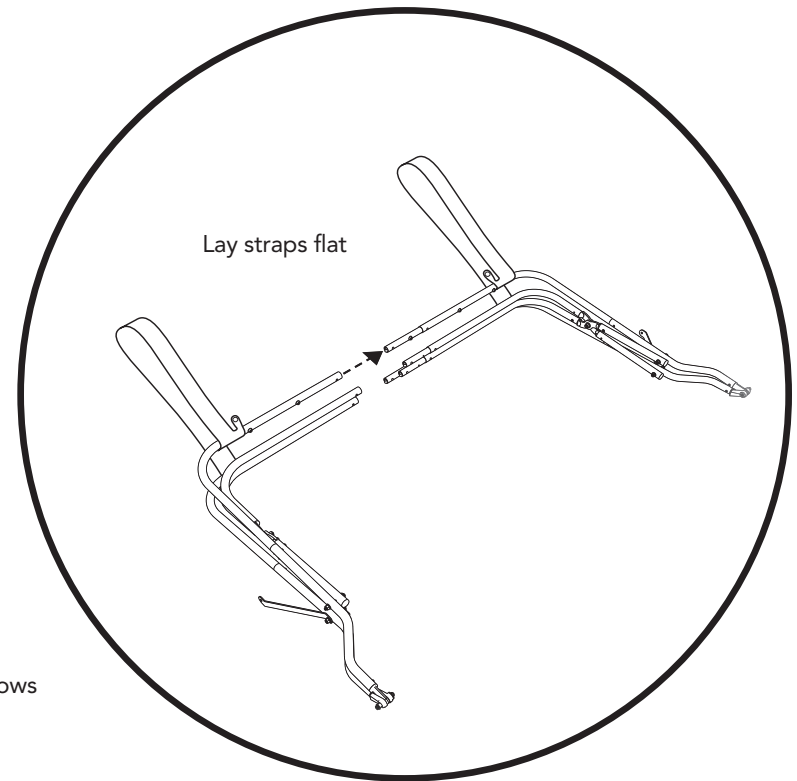
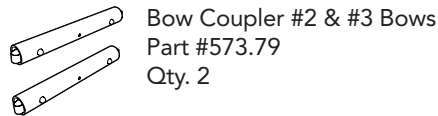
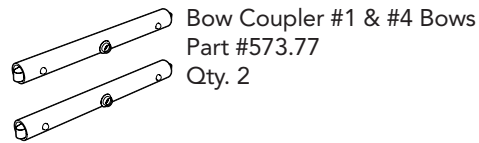
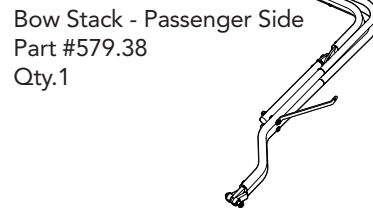
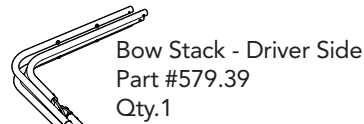
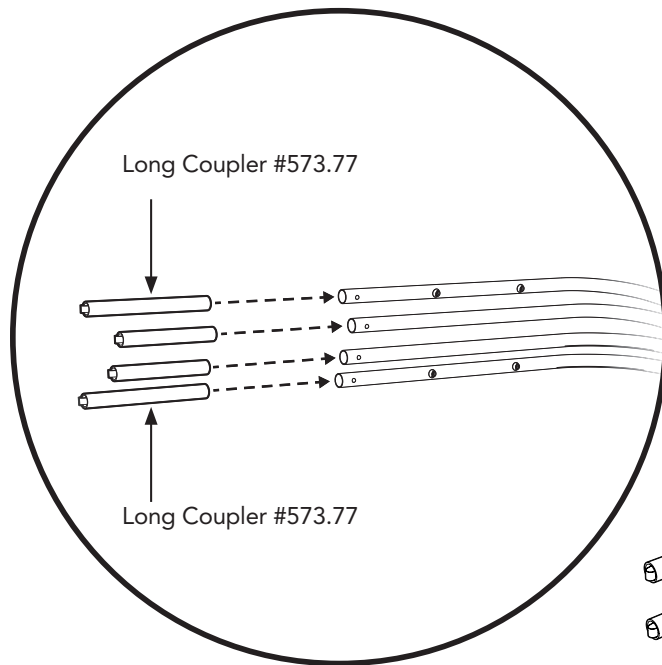
 Lower Clamp - Small  
Part #595.34  
Qty. 2

 Hex Head Bolt  
Part #578.39  
Qty. 6

 9/16" Wrench



Parts



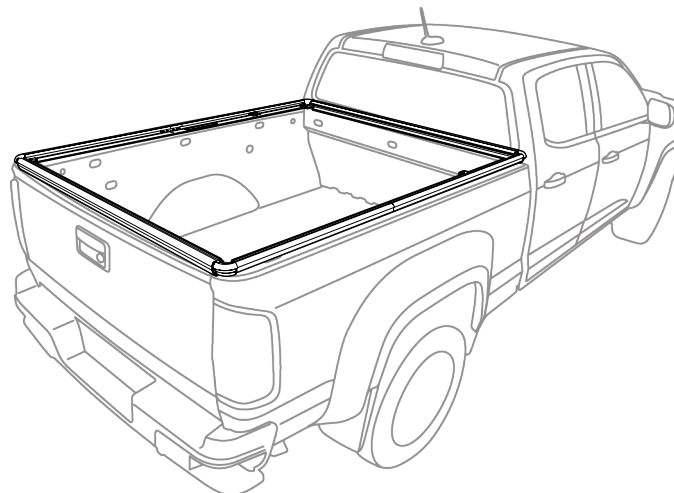
Attach Bow Couplers and to the Passenger Side Bow Stack.

Insert Long Couplers into the outer bows #1 and #4.

Insert Short Couplers into the inner bows #2 and #3.

**For Easier Installation:**

Slide all bows and couplers together before snapping the spring clips into the holes in the bows.

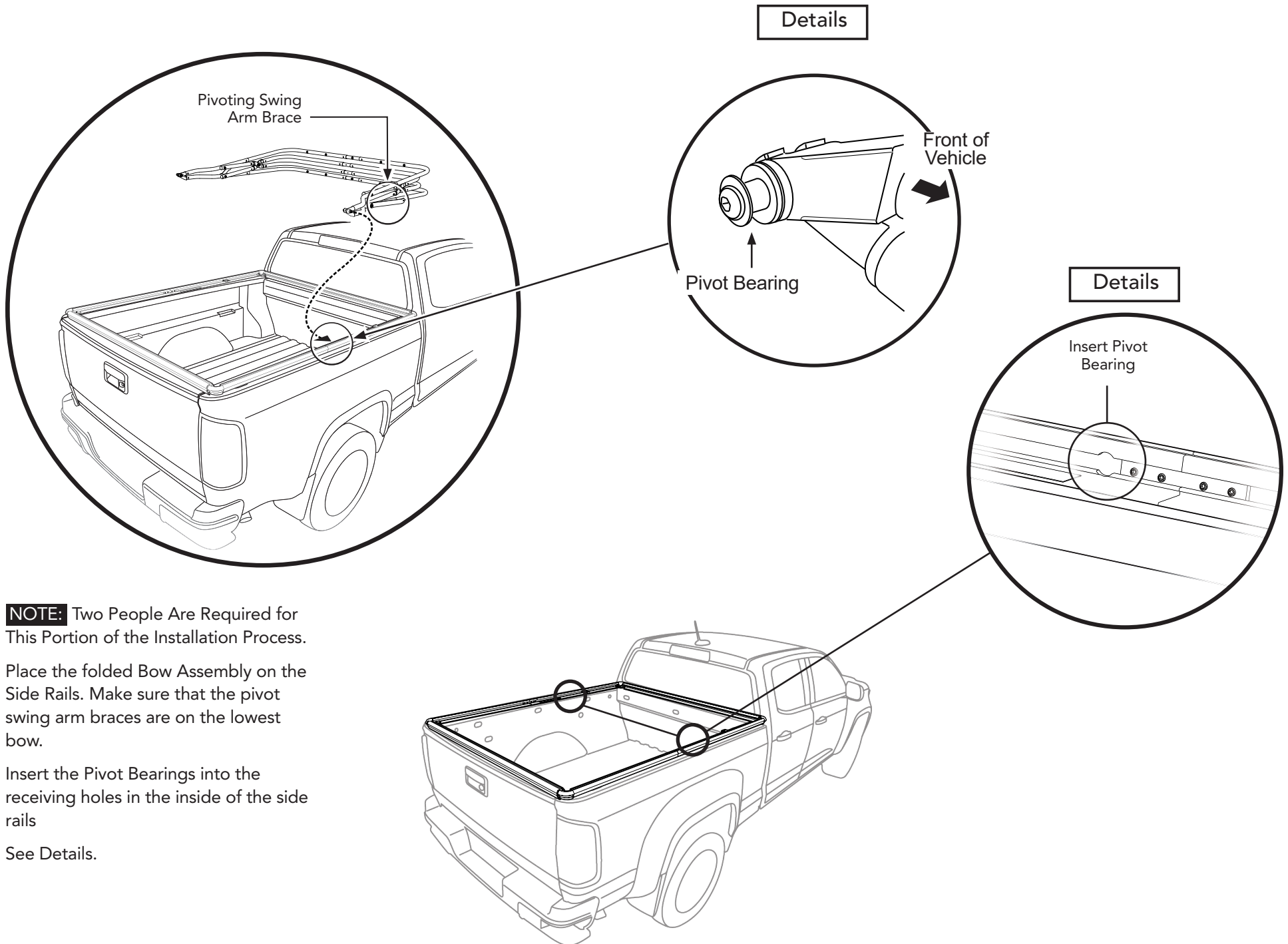


Attach Driver Side Bow Stack to Passenger Side Bow Stack.

Attach using the Couplers installed in previous Step.

Slide the Couplers installed in the Passenger Side Bow Stack into the ends of the bows on the Drivers Side Bow Stack.

**NOTE:** Before attaching couplers to bow stacks, make sure to pull the bond coat straps out and away from the bows, and lay them flat.

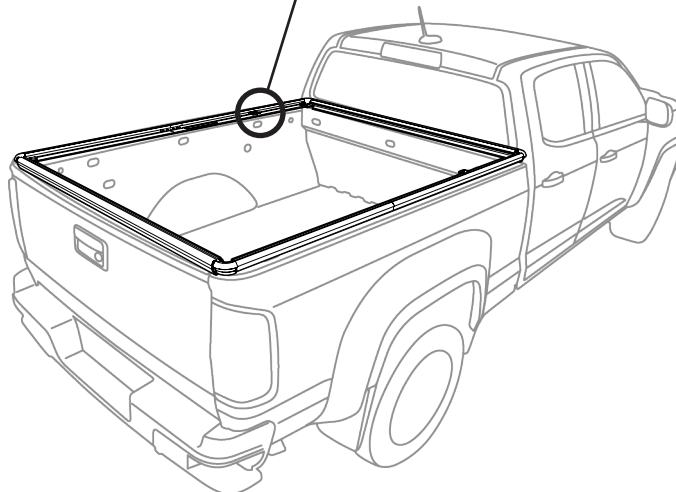
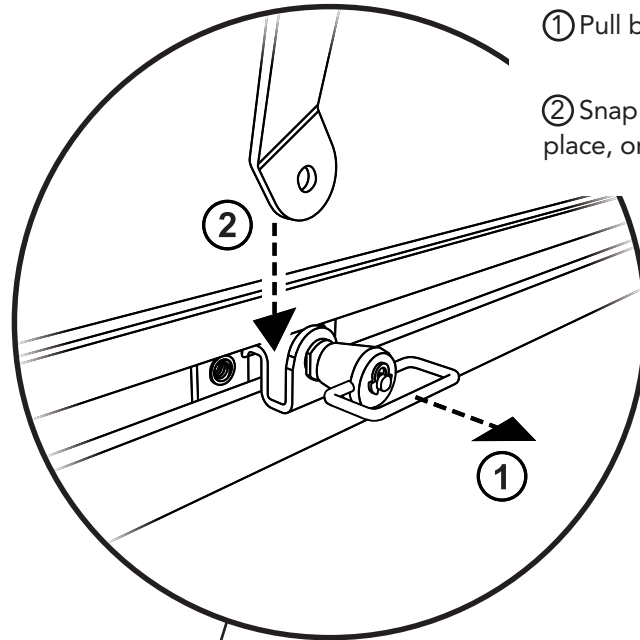
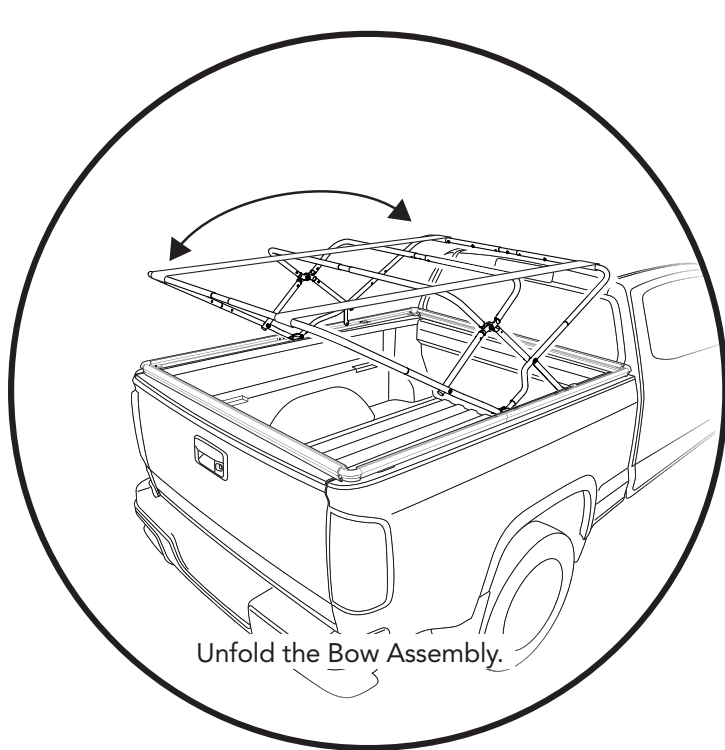


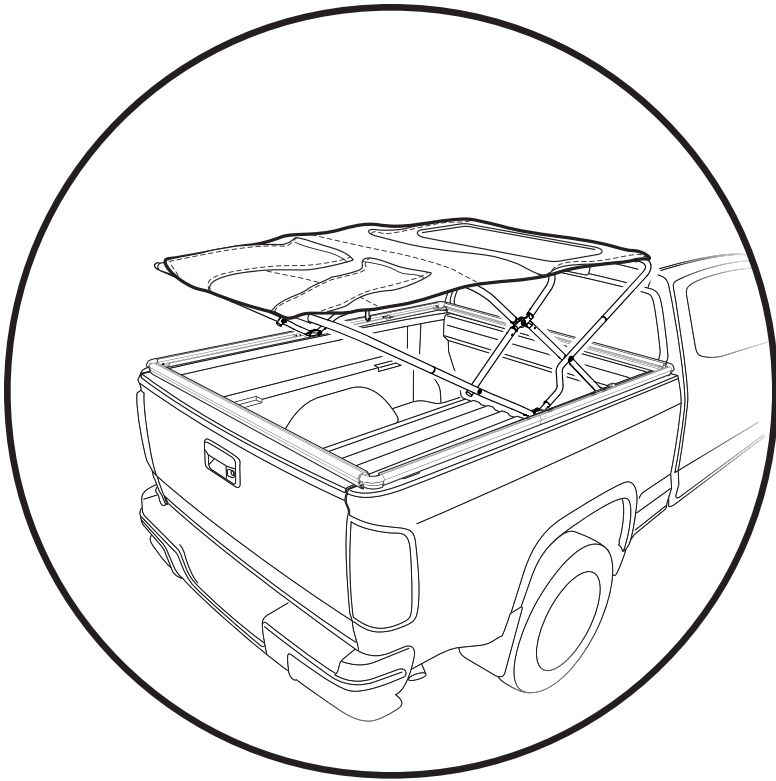
**NOTE:** Two People Are Required for This Portion of the Installation Process.

Place the folded Bow Assembly on the Side Rails. Make sure that the pivot swing arm braces are on the lowest bow.

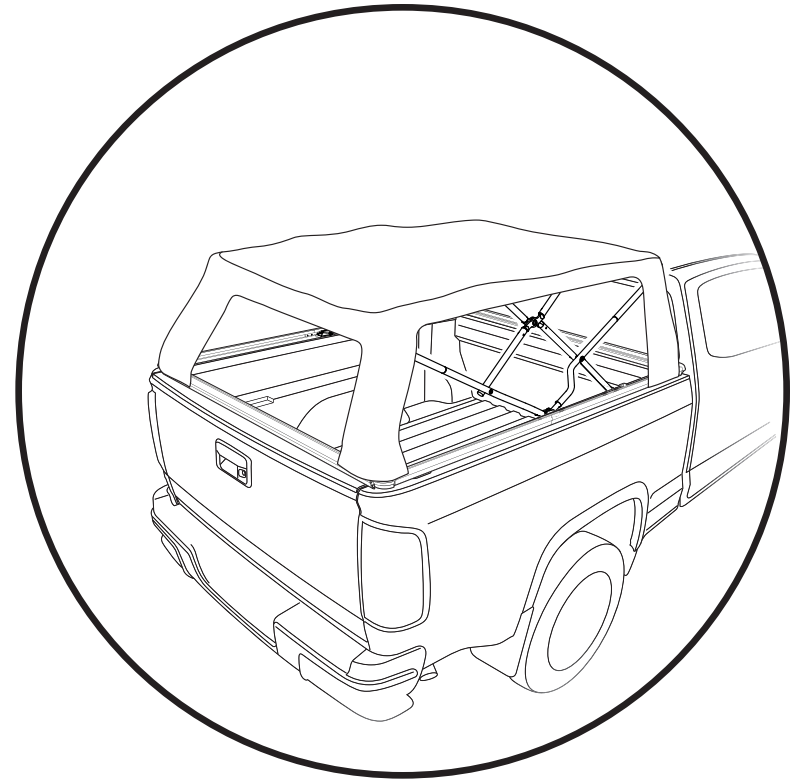
Insert the Pivot Bearings into the receiving holes in the inside of the side rails

See Details.

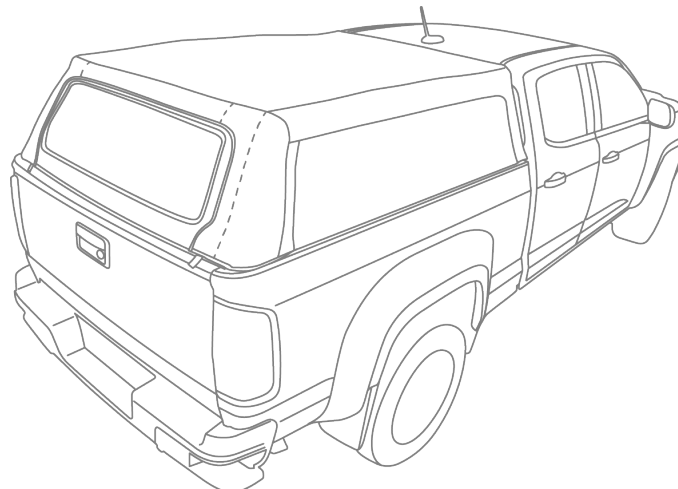


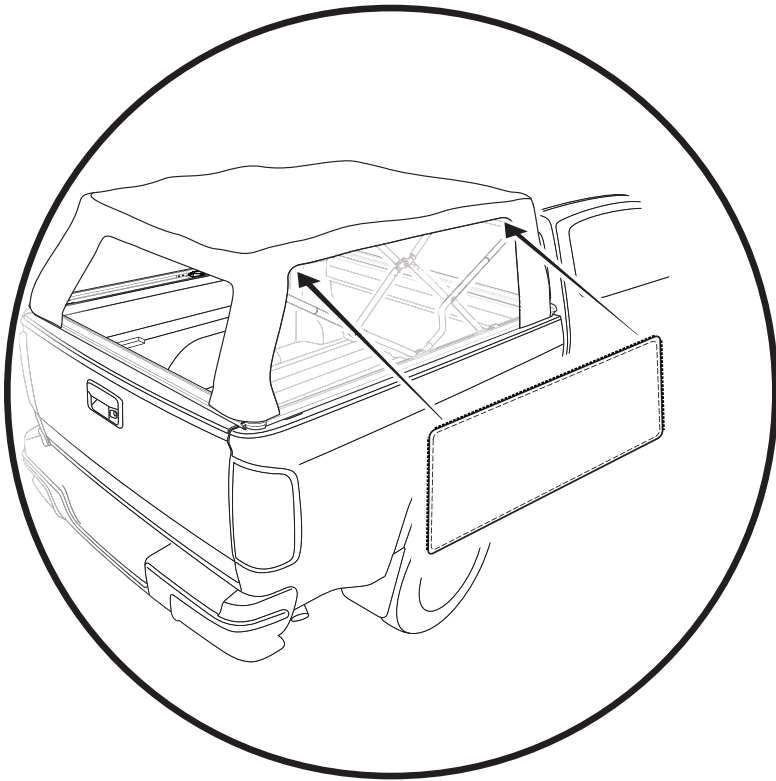


Place the folded Soft Top onto the unfolded Bow Assembly.



Unfold the front and back of the Top over the #1 and #4 Bows.



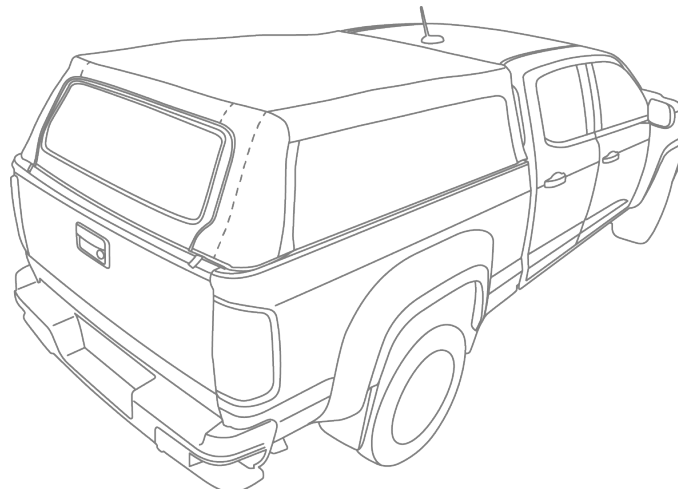


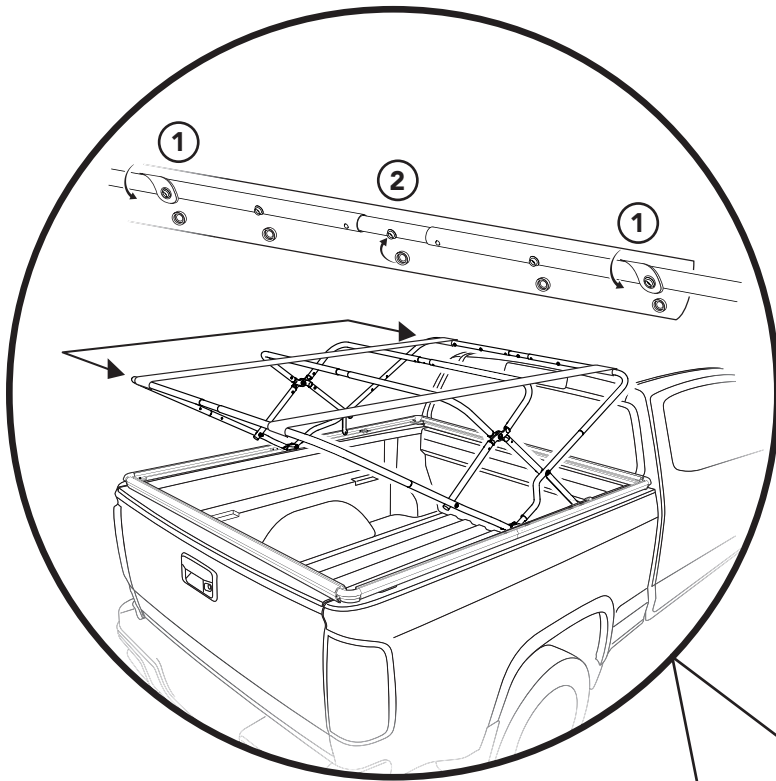
For easier access to the zippers, you may want to lift the corners of the top onto the roof fabric.

Zip the Rear Window and Side Curtains into place.

Start with the zipper along the top edge of each panel, and then follow with the side zippers. For ease of installation, start each zipper only about 6".

Once all zippers are started, flip the rear corners into the rail, then zip all zippers completely shut.





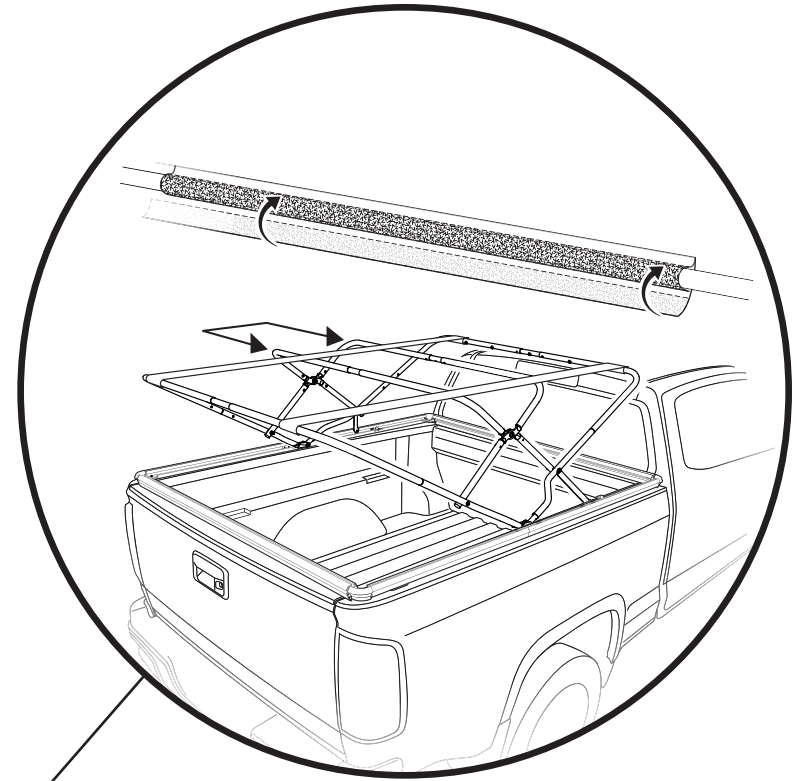
From inside the truck bed:

① Wrap the small flaps with holes over the outer-most snaps on the #1 bow (Bow closest to the truck cab).

② Wrap the fabric flap around the #1 Bow and snap all five snaps to secure the fabric to the Bow.

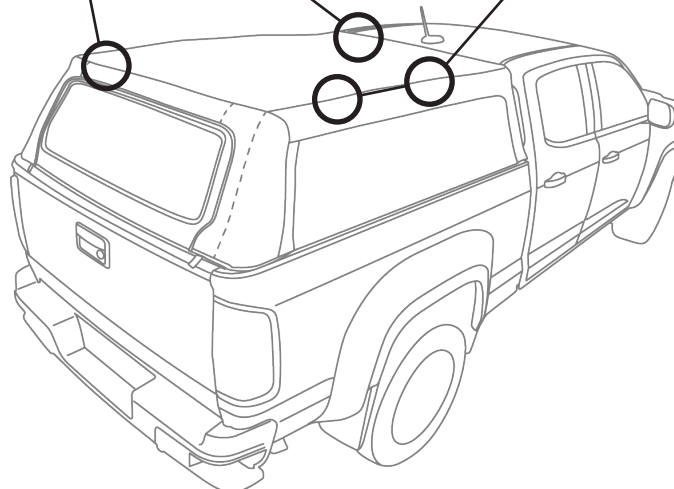
**NOTE:** Secure the outer snaps before securing the center snaps.

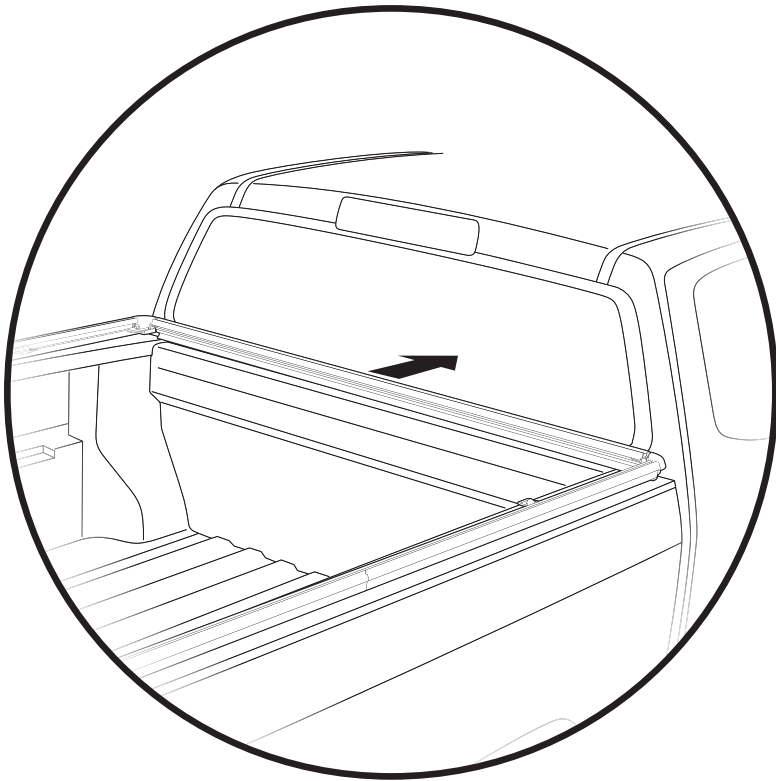
Repeat for the #4 Bow (Bow closest to the truck tailgate).



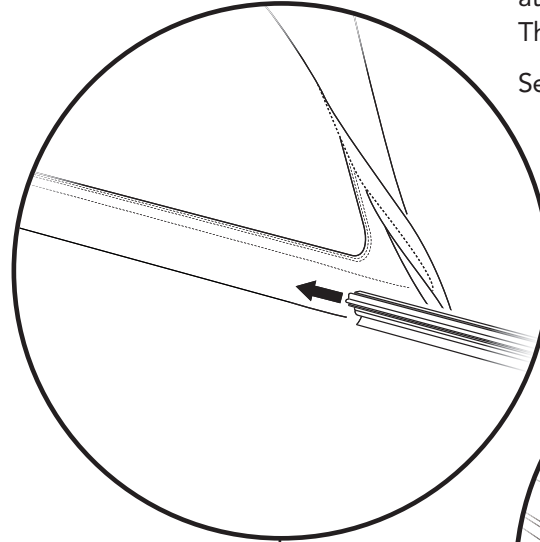
From inside the truck bed:

Wrap the fabric flaps with hook-and-loop around the #2 and #3 bows (the two middle bows) to secure the top fabric to these Bows.





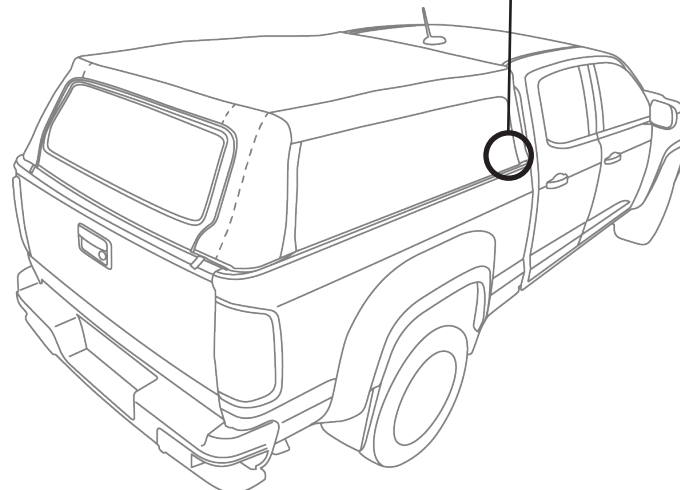
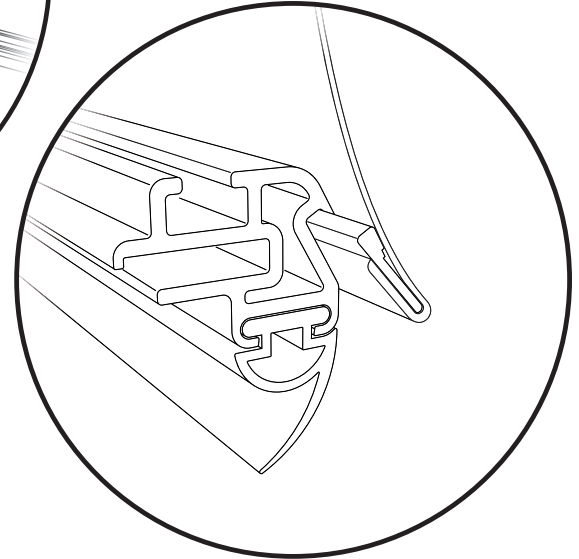
Remove the front rail, by sliding it toward the front of the truck bed.

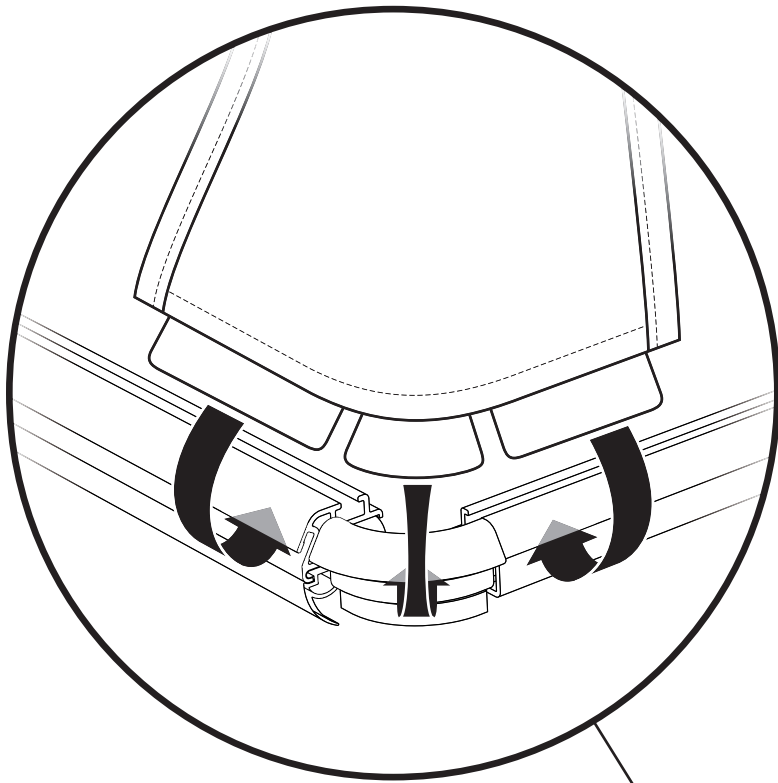


Slide the front rail onto the plastic retainer at the bottom of the front window. The rail should go under the large flap.

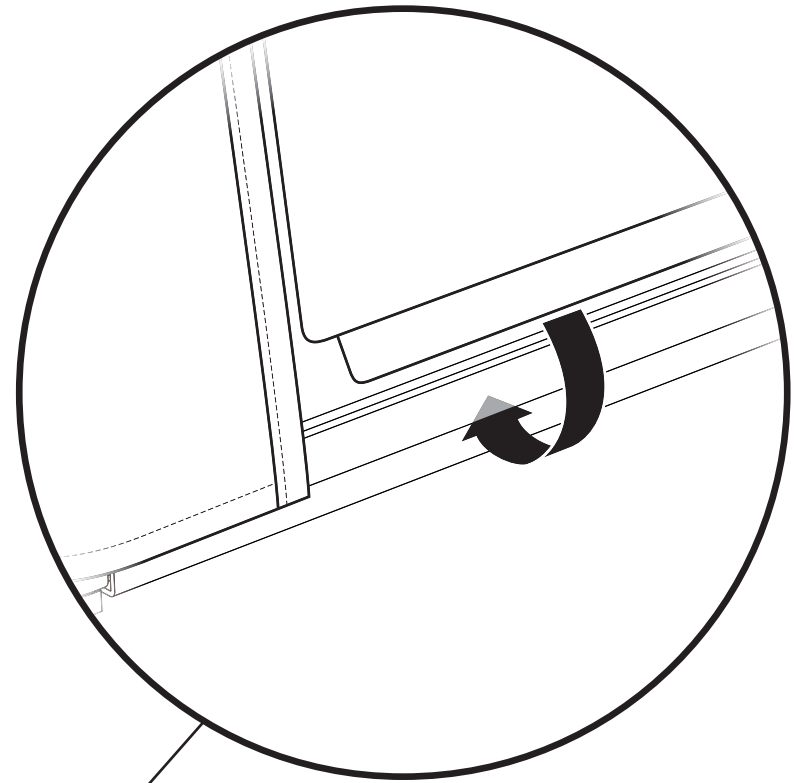
See Detail.

Detail



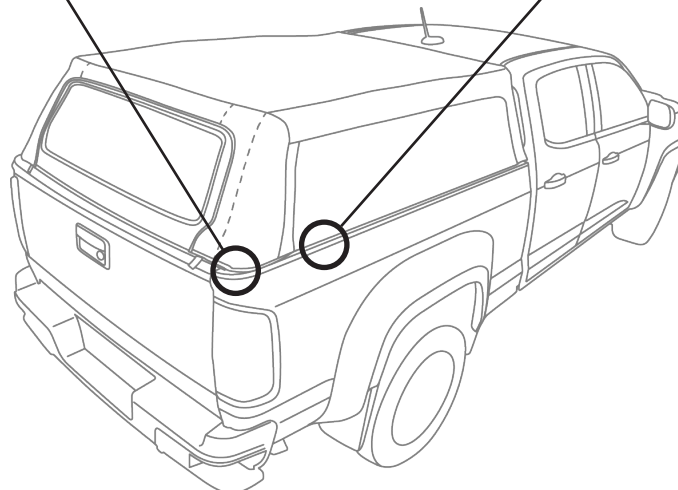


Tuck the plastic tabs at the bottom of each corner of the top into the slots in the Side Rails and Front and Rear Rails.

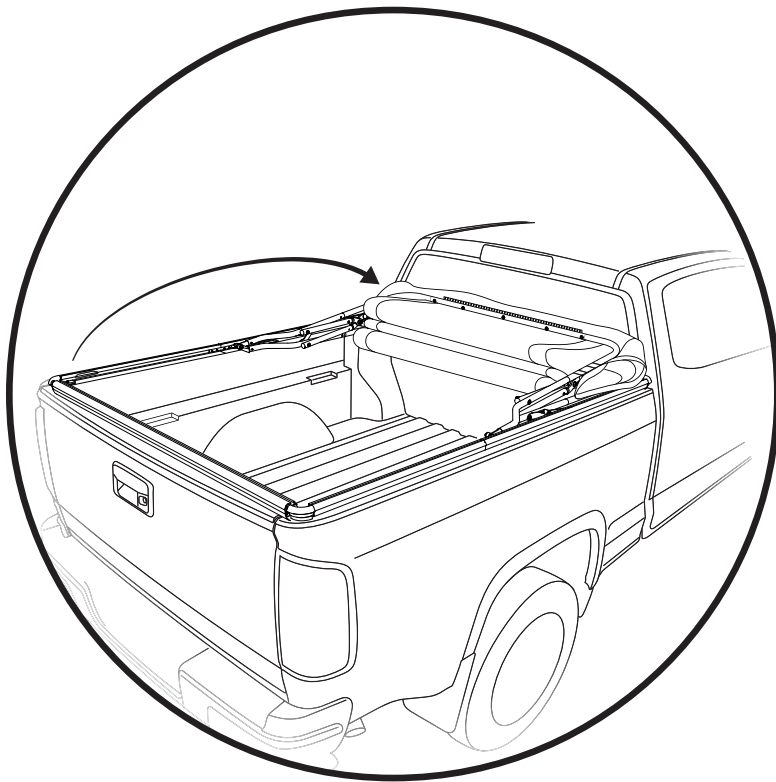


Tuck the plastic tab along the bottom edge of each Side Curtain into the slot along the side of each Side Rail.

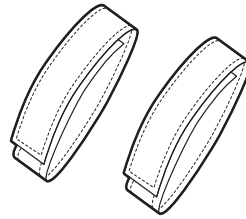
Tuck the plastic tab along the bottom of the Rear Window into the slot along the side of the Rear Rail.



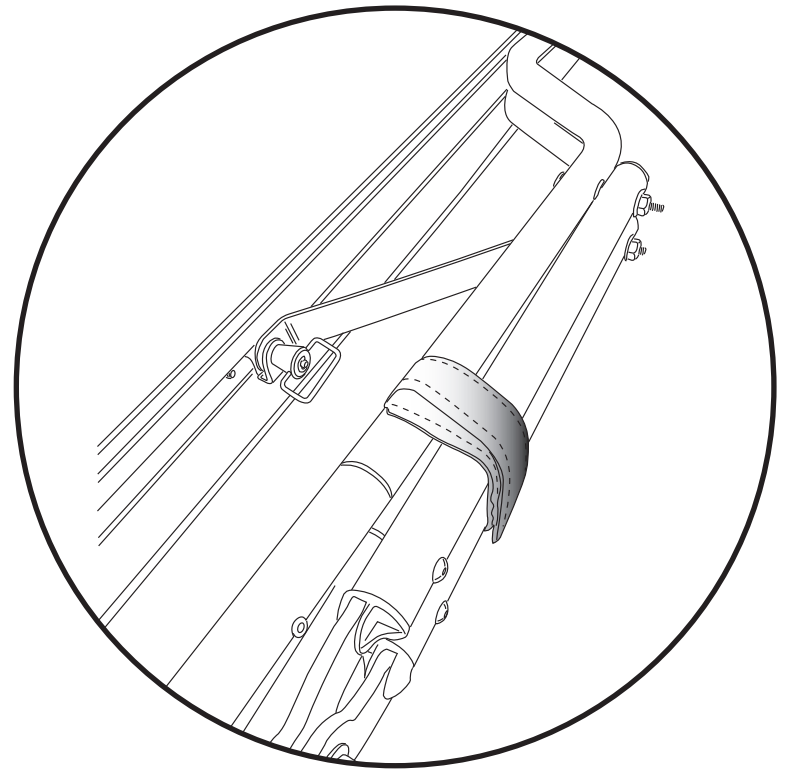




**Parts**

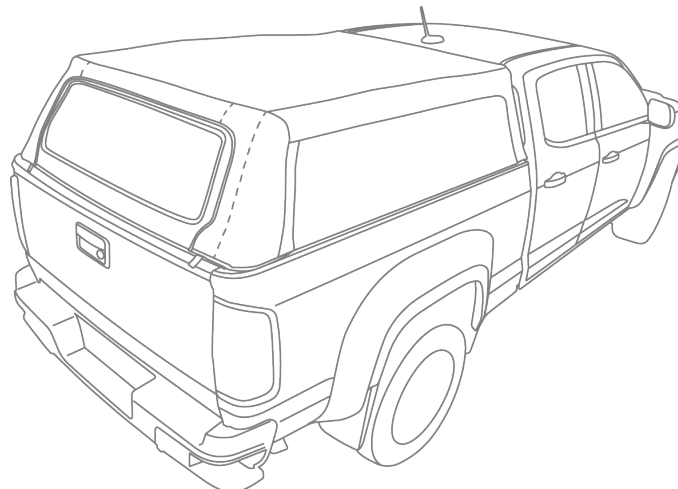


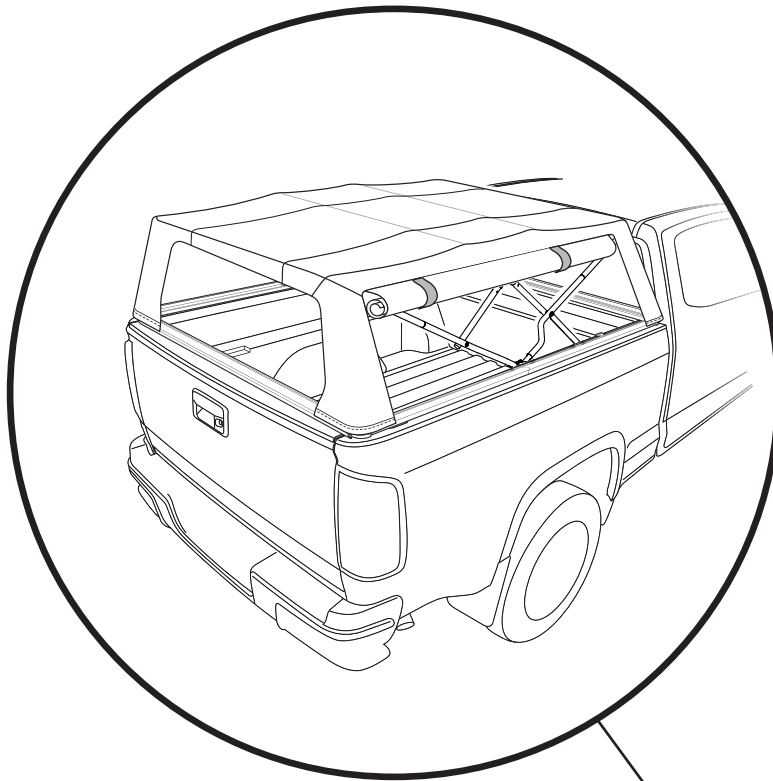
Tie Down Strap  
Part #410.42  
Qty. 2



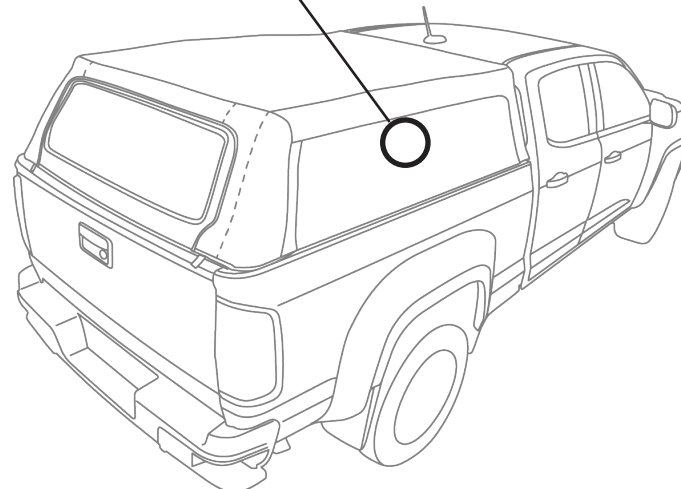
To open the top:  
Unzip and remove Side Curtains.  
Unzip and remove Rear Window.  
Release plastic tabs from rails all around.  
Flip rear corners of top fabric up onto roof.  
Fold the top forward so that all the bows collapse and rest on the Front Rail.

After the top is laid down, Wrap the Tie Down Straps (1 per side) around the bow stack.





With the Fabric Top up, the Side Curtains can be rolled up and secured with Roll Up Straps.





## Care and Maintenance of your Bestop Product

Your Bestop product is made of the finest materials available. To keep it looking new and for the maximum possible wear, it will need periodic cleaning and maintenance.

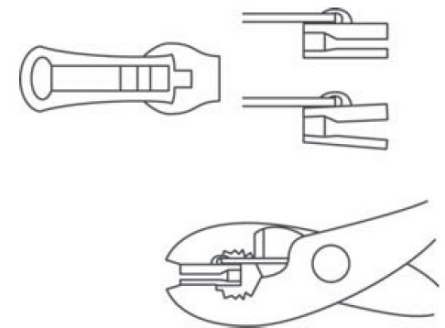
**Fabric:** The fabric should be washed often using soap, warm water and a soft bristle brush. Rinse with clear water to remove all traces of soap. Bestop recommends using **Bestop Cleaner** (part no.11201-00) and **Bestop Protectant** (part no.11202-00) for Vinyl fabric and **Bestop Twill Protectant** (part no.11207-00) for Twill fabric. Bestop Cleaner and Bestop protectant are specially formulated to provide a total cleaning and protection system. Bestop Cleaner safely removes the toughest stains, will not harm vehicle finishes, is biodegradable and environmentally friendly. Bestop Protectant protects against UV-fading, cracking and hardening, and repels dust, grease, dirt and mildew.

**Windows:** Keep windows clean to avoid scratching. DO NOT use a brush on the windows! Wash with a water-soaked cloth or sponge and a mild dishwashing detergent. Bestop recommends **Bestop Vinyl Window Cleaner** (part no.11203-00), which safely cleans and protects vinyl windows and helps prevent UV damage. NEVER WIPE THE WINDOWS WHEN THEY ARE DRY. Be careful when cleaning snow or frost from the vinyl windows since they are easily scratched and may crack at low temperatures. DO NOT roll the sides or rear window in cold weather. The windows become stiff and will crack. Cracks caused by misuse in cold temperatures are not covered under warranty.

**Water:** Seeping through at the seams may be stopped by applying 3-M Scotchgard® on the inside of the seams. Rips in the fabric may be repaired with Bondex® iron on patches. Iron the patches to the Inside of the top, carefully following the Bondex® instructions.

**Snaps:** Keep snaps cleaned and lubricated with silicone to help prevent snaps from sticking to the studs. If a snap does become stuck to a stud, use a screwdriver and GENTLY pry apart to prevent permanent damage to the snap or the top fabric.

**Zippers:** Keeping zippers cleaned and lubricated with **Bestop's Zipper Cleaner** (part no. 11206-00) will help prevent damage and keep the zippers in smooth working condition. If a zipper opens behind the slider, the slider may have been spread apart. This problem can usually be repaired by using an ordinary pair of pliers to bring the sides back into parallel. Return slider to the end of the zipper in the normal Open position. Squeeze lightly at first and test the zipper. If the zipper continues to remain open squeeze more firmly with the pliers and try the zipper again. Repeat this procedure until the zipper operates correctly.





## Cuidado y mantenimiento de tu producto Bestop

Su producto Bestop está fabricado con los mejores materiales disponibles. Para mantenerlo como nuevo y para el máximo desgaste posible, necesitará limpieza y mantenimiento periódicos.

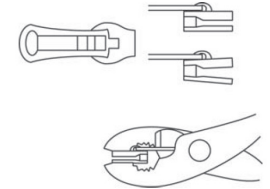
**Tejido:** El tejido debe lavarse a menudo con jabón, agua tibia y un cepillo de cerdas suaves. Aclarar con agua clara para eliminar todos los restos de jabón. Bestop recomienda usar **Bestop Cleaner** (pieza n° 11201-00) y **Bestop Protectant** (pieza n° 11202-00) para el tejido de Vinilo y **Bestop Twill Protectant** (pieza n° 11207-00) para el tejido de Sarga. Bestop Cleaner y Bestop Protectant están especialmente formulados para proporcionar un sistema total de limpieza y protección. El Limpiador Bestop elimina con seguridad las manchas más difíciles, no daña los acabados del vehículo, es biodegradable y respetuoso con el medio ambiente. Bestop Protectant protege contra la decoloración por rayos UV, el agrietamiento y el endurecimiento, y repele el polvo, la grasa, la suciedad y el moho.

**Ventanas:** Mantenga las ventanas limpias para evitar arañazos. NO utilice cepillos en las ventanas. Lávelas con un paño o esponja empapada en agua y un detergente lavavajillas suave. Bestop recomienda el **Bestop Vinyl Window Cleaner** (pieza n° 11203-00), que limpia y protege las ventanas de vinilo de forma segura y ayuda a prevenir los daños causados por los rayos UV. protege los cristales de vinilo y ayuda a prevenir los daños causados por los rayos UV. NUNCA LIMPIE LOS CRISTALES CUANDO ESTÉN SECOS. Tenga cuidado al limpiar la nieve o la escarcha de los cristales de vinilo, ya que se rayan con facilidad y pueden agrietarse a bajas temperaturas. NO gire los laterales ni la luneta trasera cuando haga frío. Las ventanillas se vuelven rígidas y se agrietan. La garantía no cubre las grietas causadas por un uso incorrecto a bajas temperaturas.

**Agua:** La filtración a través de las costuras puede detenerse aplicando 3-M Scotchgard® en el interior de las costuras. Las roturas en el tejido pueden repararse con parches Bondex®. Plancha los parches en el interior de la parte superior, siguiendo cuidadosamente las instrucciones de Bondex®.

**Broches:** Mantenga los broches limpios y lubricados con silicona para evitar que se peguen a las tachuelas. Si un broche se queda pegado a un espárrago, utilice un destornillador y haga palanca SUAVEMENTE para evitar daños permanentes en el broche o en el tejido superior.

**Cremalleras:** Mantener las cremalleras limpias y lubricadas con el limpiador de cremalleras de Bestop (pieza n° 11206-00) ayudará a prevenir daños y a mantener las cremalleras en perfectas condiciones de funcionamiento. Si una cremallera se abre detrás del deslizador, es posible que el deslizador se haya separado. Este problema puede repararse normalmente utilizando un par de alicates ordinarios para volver a poner los lados en paralelo. Vuelva a colocar el deslizador al final de la cremallera en la posición normal de Apertura. Apriete ligeramente a f rma y pruebe la cremallera. Si la cremallera continúa abierta, apriete más suavemente con los alicates y pruebe la cremallera de nuevo. Repita este procedimiento hasta que la cremallera funcione correctamente.



## Entretien et maintenance de votre produit Bestop

Votre produit Bestop est fabriqué à partir des finest matériaux disponibles. Pour qu'il conserve son aspect neuf et pour une usure maximale, il devra être nettoyé et entretenu périodiquement.

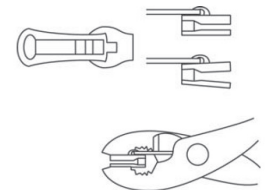
**Tissu :** Le tissu doit être lavé souvent à l'aide de savon, de l'eau chaude et d'une brosse à poils doux. Rincer à l'eau claire pour éliminer toute trace de savon. Bestop recommande d'utiliser le **Bestop Cleaner** (référence 11201-00) et le **Bestop Protectant** (référence 11202-00) pour le tissu Vinyl et le **Bestop Twill Protectant** (référence 11207-00) pour le tissu Twill. Le Bestop Cleaner et le Bestop Protectant sont spécialement formulés pour fournir un système total de nettoyage et de protection. Le Bestop Cleaner élimine en toute sécurité les taches les plus tenaces, n'endommage pas les finitions du véhicule, est biodégradable et respectueux de l'environnement. Bestop Protectant protège contre la décoloration par les UV, les craquelures et le durcissement, et repousse la poussière, la graisse, la saleté et la moisissure.

**Fenêtres :** Gardez les fenêtres propres pour éviter les rayures. N'utilisez PAS de brosse sur les vitres ! Lavez-les avec un chiffon ou une éponge imbibés d'eau et un détergent doux pour lave-vaisselle. Bestop recommande **Bestop Vinyl Window Cleaner** (référence 11203-00), qui nettoie et protège en toute sécurité les vitres en vinyle et aide à prévenir les dommages causés par les rayons UV. protège les vitres en vinyle et aide à prévenir les dommages causés par les UV. N'ESSUYEZ JAMAIS LES VITRES LORSQU'ELLES SONT SÈCHES. Faites attention lorsque vous nettoyez la neige ou le givre sur les vitres en vinyle, car elles se rayent facilement et peuvent se fissurer à basse température. NE PAS rouler les côtés ou la lunette arrière par temps froid. Les vitres deviennent rigides et se fissurent. Les fissures causées par une mauvaise utilisation par temps froid ne sont pas couvertes par la garantie.

**Leau :** Les infiltrations au niveau des coutures peuvent être arrêtées en appliquant du Scotchgard® 3-M à l'intérieur des coutures. Les déchirures du tissu peuvent être réparées à l'aide de pièces repassées Bondex®. Repassez les patches sur l'intérieur du haut, en suivant soigneusement les instructions de Bondex®.

**Boutons-pression :** Nettoyez et lubrifiez les boutons-pression avec du silicone pour éviter qu'ils ne collent aux montants. Si un bouton-pression se colle à un goujon, utilisez un tournevis et séparez-le DOUCEMENT pour éviter d'endommager définitivement le bouton-pression ou le tissu supérieur.

**Fermetures à glissière :** Nettoyer et lubrifier les fermetures à glissière avec de **Bestop Zipper Cleaner** (référence 11206-00) permettent d'éviter les dommages et de maintenir les fermetures à glissière en bon état de fonctionnement. Si une fermeture éclair s'ouvre derrière le curseur, il se peut que le curseur ait été écarté. Ce problème peut généralement être résolu en utilisant une paire de pinces ordinaires pour remettre les côtés en parallèle. Remettez le curseur à l'extrémité de la fermeture à glissière en position normale d'ouverture. Serrez légèrement au f rst et testez la fermeture à glissière. Si la fermeture à glissière continue à rester ouverte, serrez plus f rrmément avec les pinces et essayez la la fermeture à glissière. Répétez cette procédure jusqu'à ce que la fermeture à glissière fonctionne correctement.





## Warranty Information Supertop for Trucks

Part Number 77336

### WHAT BESTOP WARRANTS

Subject to the terms and conditions of sale, including any terms and conditions set forth by Bestop, Inc. (“Bestop” or “us” or “we”) in our then-current terms of sale on our website (collectively, the “Terms”), Bestop represents and warrants that: the covered products listed in the “Covered Products and Warranty Periods” section (a “Product”) will substantially be free from defects in materials and workmanship for the specified warranty periods set forth in that section.

### THE WARRANTY IS LIMITED AND CONDITIONAL

This warranty applies to the original purchaser of the Product only. The warranty is valid only as long as the original retail purchaser owns the vehicle upon which the Product is installed. The warranty expires should the Product be removed from the original vehicle or if the original vehicle is transferred to another owner.

This warranty is not transferable or assignable. The warranty does not apply to Product bought from auction-style or price-bid websites.

THE LIMITED WARRANTY AND STATED REMEDIES ARE SOLE AND EXCLUSIVE AND IN LIEU OF ALL OTHER WARRANTIES AND REMEDIES, AND COMPANY EXPRESSLY DISCLAIMS ALL IMPLIED OR STATUTORY OR OTHER WARRANTIES, INCLUDING WITHOUT LIMITATIONS WARRANTIES OF MERCHANTABILITY, NON-INFRINGEMENT OR FITNESS FOR A PARTICULAR PURPOSE. IN NO EVENT WILL COMPANY BE LIABLE FOR ANY SPECIAL, INCIDENTAL, CONSEQUENTIAL, PUNITIVE, INDIRECT OR EXEMPLARY DAMAGES OF ANY KIND, INCLUDING LOST PROFITS OR REVENUE, HOWEVER CAUSED, WHETHER FOR BREACH OR REPUDIATION OF CONTRACT, TORT, BREACH OF WARRANTY, NEGLIGENCE, OR OTHERWISE, WHETHER OR NOT COMPANY WAS ADVISED OF THE POSSIBILITY OF SUCH LOSS OR DAMAGES.

*Some states do not allow exclusion or limitation, so this may not apply to you. This warranty gives you specific legal rights, and you may have other rights which vary from state to state.*

### EXCLUSIONS TO THE WARRANTY

The Limited Warranty excludes, and Bestop is not liable in any way for any warranty claims, damages, or defects related to:

- Misuse, abuse, accidents, vandalism, negligence, fire, or improper installation or modification, or improper or inadequate maintenance;
- Failure to comply with any Product documentation, Bestop instructions, or applicable law or regulations; use in extreme conditions
- Force Majeure including but not limited to, earthquake, hurricane, tornado, flooding, or other disasters natural or man-made, civil unrest, strikes, declared or undeclared war, or lack of performance by, or discontinued product of, supply chain partners whose products, software, operations or management is beyond the control of Bestop;
- Damage resulting in breakage (including without limitation, spontaneous breakage, accidental breakage or breakage by any other means) of a Product or any component part;
- Damage to vinyl windows due to misuse, or cracking due to varying weather conditions.

### YOUR SOLE REMEDY

During the applicable warranty period, Bestop shall, at its option, either repair or replace any Product that it confirms, in its discretion, is non-compliant with the warranties herein. Bestop will not pay for labor charges associated with installation or removal of the Product. Should a specific Product be discontinued, Bestop may, at its option, replace the discontinued Product with a current product or like product.

Please retain your proof of purchase. Original proof of purchase for the Product must accompany any warranty claim. If you have a warranty claim, first you must email Bestop Customer Service at [csbestop@bestop.com](mailto:csbestop@bestop.com) for instructions. All claims must be emailed to [csbestop@bestop.com](mailto:csbestop@bestop.com) within 30 days of discovery of a defective Product, but in no event later than thirty days after the end of the applicable Warranty Period (the “Warranty Notice Period”). Warranty claims made after the Warranty Notice Period are null and void and Bestop shall have no responsibility with respect to such claims.

THIS SECTION SETS FORTH BESTOP’S SOLE OBLIGATION & YOUR SOLE REMEDY WITH RESPECT TO ANY DEFECTS OR OTHER PRODUCT ISSUE. ANY PRODUCTS REPLACED UNDER TERMS OF THIS WARRANTY WILL BE COVERED UNDER TERMS & BALANCE OF THE DURATION OF THE ORIGINAL LIMITED WARRANTY FOR SUCH PRODUCT.



## Warranty Information Supertop for Trucks

Part Number 77336

**COVERED PRODUCTS AND WARRANTY PERIODS:** The warranty time periods are as follows for Products manufactured by Bestop:

### **BESTOP® LIMITED LIFETIME WARRANTY**

Trektop® Pro Twill Fabric Top Sunrider® for Hardtop Twill Fabric Top  
Trektop® NX Glide Twill Fabric Top Replace-a-Top™ Twill Fabric Top  
Trektop® NX Twill Fabric Top Supertop® NX Twill Fabric Top  
EZFold™ Soft Tonneaus Floor & Cargo Liners  
ZipRail™ Soft Tonneaus Pet Barriers  
EZRoll™ Soft Tonneaus

### **BESTOP® 5-YEAR LIMITED WARRANTY**

Trektop® NX Glide™ Top (non-Twill) Sunrider® for Hardtop (non-Twill) Replace-a-Top™ Top (non-Twill) Trektop® NX Top (non-Twill)  
Sailcloth Replace-a-Top™ Supertop® NX Top (non-Twill)  
Tigertop™ and Halftop™ Supertop® Classic Soft Top Sunrider® Complete Soft Top Supertop® for Truck  
EZ Fold Hard Tonneau

### **BESTOP® 3-YEAR/100K MILES LIMITED WARRANTY**

Powerboard® & Powerboard® NX  
Trekstep®, Side Mount  
Trekstep®, Rear Mount

### **BESTOP® 3-YEAR LIMITED WARRANTY**

Pavement Ends Sprint Top

### **BESTOP® 2-YEAR LIMITED WARRANTY**

Trektop® Classic Soft Top  
RoughRider™ Soft Storage

### **BESTOP® 1-YEAR LIMITED WARRANTY**

All other Bestop® & Pavement Ends™ products not specified above.

**For further information or request for warranty work, please contact:**

**Bestop Inc. Customer Service**

**Toll-Free: (800)845-3567**

**E-mail: [customerservice@Bestop.com](mailto:customerservice@Bestop.com)**

**Website: [www.Bestop.com](http://www.Bestop.com)**

This product may be covered by 1 or more patents or pending applications, information can be found at [www.bestop.com/patents](http://www.bestop.com/patents)