










# Installation Instructions Door Surround Kit

## Vehicle Application:


- Jeep Wrangler TJ  
1997 – 2006  
Part Number: 55012


[www.Bestop.com](http://www.Bestop.com) - We're here to help! Visit our web site and click on "Ask a Question". Click here for more [Jeep® Accessories by Bestop](#).

INSTALLATION TIME	SKILL LEVEL
 1/2 Hour	 1 - Easy

TOOLS			
 Safety Glasses	 Phillips Screwdriver	 Power Drill 1/8" Bit	 Silicone Sealant
 Torx Driver T40			



 **CAUTION** Safety glasses should be worn at all times while installing this product.

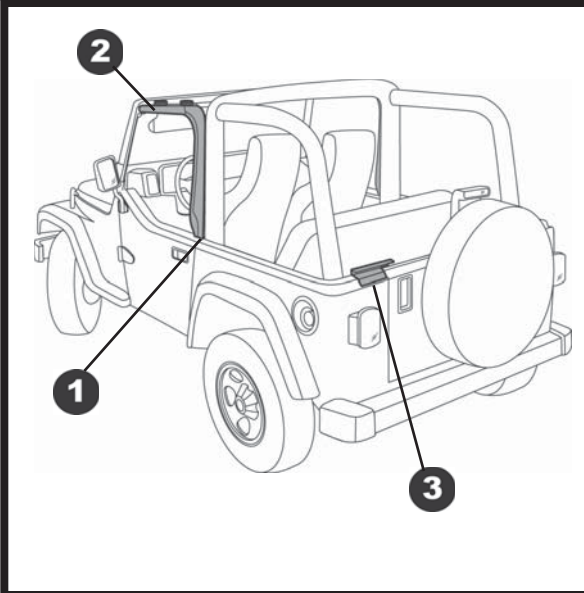
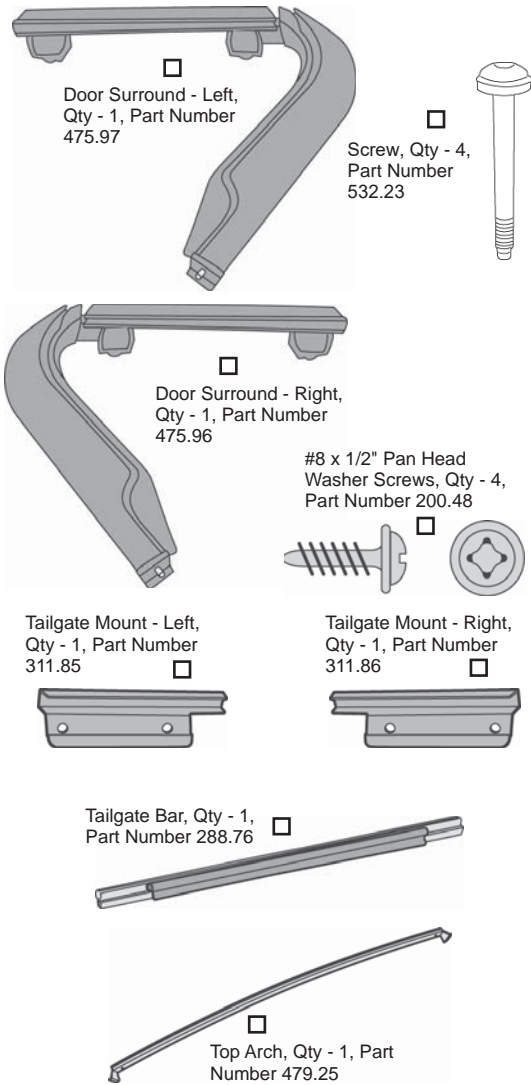
 **WARNING** This product is designed primarily to enhance the appearance of the vehicle and to shield the occupants from ordinary weather conditions. Do not rely in any way on the components of this product to contain occupants within the vehicle, or to protect against injury or death in the event of an accident. This product will not protect the occupants from falling objects. Never operate the vehicle in excess of manufacturer's specifications.

### WEAR SEAT BELTS AT ALL TIMES

Read and follow, precisely, all installation instructions provided when installing product. Failure to do so may result in a poor fit and could place occupants of the vehicle in a potentially dangerous situation.

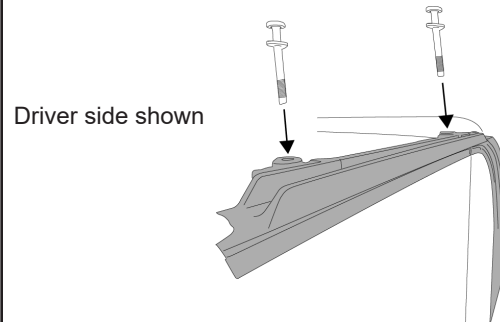
# Door Surround Kit Installation Instructions

## Parts List



## 2 Install Door Surround Screws

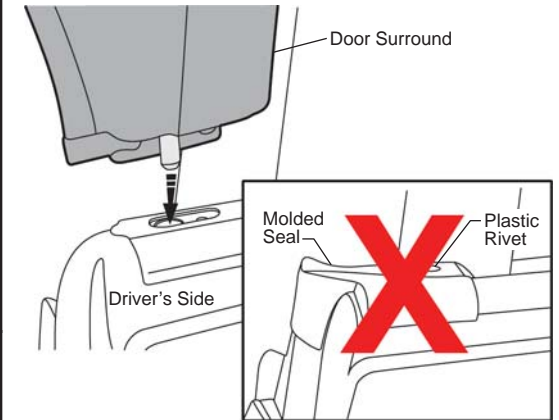
Press the channels along the top of the Door Surround around the horizontal sport bar, above the door opening. Insert two Screws into the Door Surround and tighten to 55 in/lbs (4.5 ft/lbs).



## 1 Install Door Surrounds

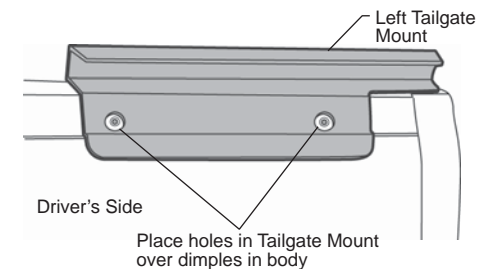
Remove the hard top. If your vehicle has molded seals on the belt rail, remove them by pulling up on the plastic rivet.

Locate the left and right Door Surrounds. Insert the pin in the bottom of the Door Surround into the hole in the belt rail behind the door.



## 3 Orient Tailgate Mounts

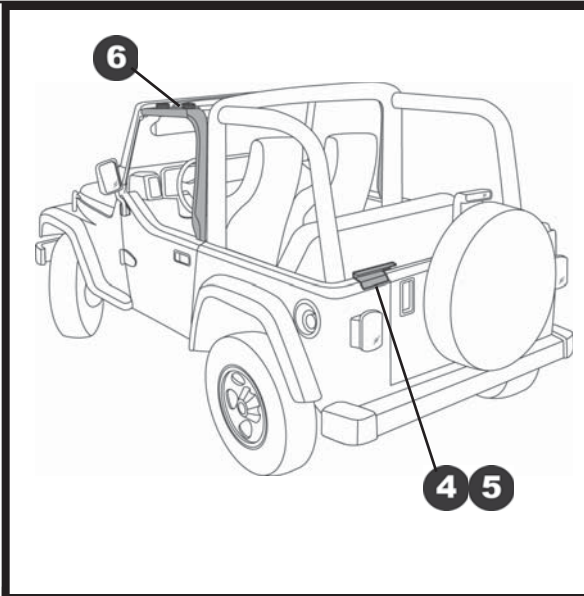
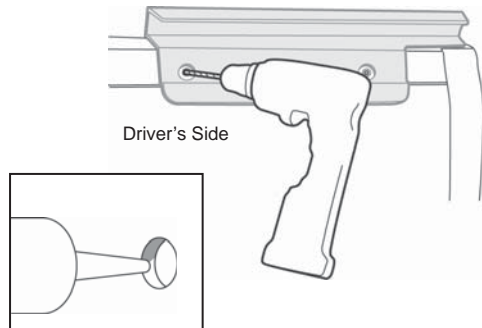
Locate the left and right Tailgate Mounts. Place the holes in the mounts over the dimples in the vehicle body. Mark the hole locations.



## Door Surround Kit Installation Instructions

### 4 Drill Holes

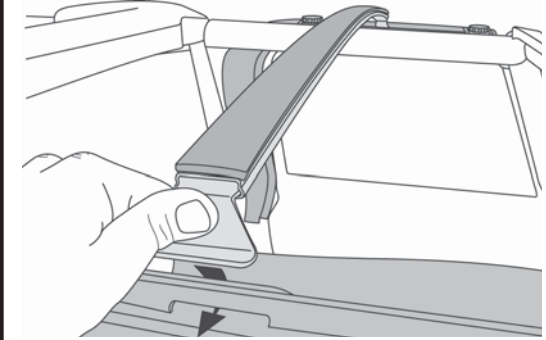
Drill a 1/8" hole at the marked locations. Deburr the holes and seal the edges of the holes with Silicone Sealant.



### 6 Install Top Arch

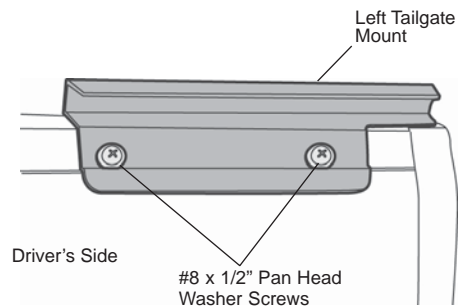
Insert one end of the top arch in to the slot in the middle of one of the Door Surrounds. Push the other end inward to flex the bow and insert it into the slot on the other side of the vehicle.

**NOTE** Remove adhesive paper from Top Arch before installing.



### 5 Install Tailgate Mounts

Install the Tailgate Mounts with two #8 x 1/2" Pan Head Washer Screws for each mount.



**For Bestop Warranty Information, Please go to;**  
<https://www.bestop.com/help/warranty-information/>

