



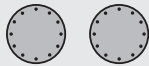







Installation Instructions

Factory Style Bow Kit

Vehicle Application:

- Jeep Wrangler TJ
1997 – 2006
Part Number: 55002

www.Bestop.com - We're here to help! Visit our web site and click on "[Ask a Question](#)". Click here for more [Jeep® Accessories by Bestop](#).

INSTALLATION TIME	SKILL LEVEL		
 2 Hours	 2 - Moderately Easy		
TOOLS			
 1/8" Bit	 #1, #2 & #3	 T30 and T40	 Silicone Sealant
 Adjustable Wrench	 Safety Glasses		



! WARNING This product is designed primarily to enhance the appearance of the vehicle. Do not rely in any way on the components of this product to protect against injury or death in the event of an accident. Never operate the vehicle in excess of manufacturer's specifications.

WEAR SEAT BELTS AT ALL TIMES

Read and follow, precisely, all installation instructions provided when installing product. Failure to do so may result in a poor fit and could place occupants of the vehicle in a potentially dangerous situation.

Bow Kit Installation Instructions

Parts List and Hardware Identification

Rear Bow-Center, Qty - 1, Part Number 478.84

Pivot Bracket - Left, Qty - 1, Part Number 478.07

Pivot Bracket - Right, Qty - 1, Part Number 478.06

Rear Bow Leg - Left, Qty - 1, Part Number 478.84

Rear Bow Leg - Right, Qty - 1, Part Number 478.84

Tailgate Mount - Left, Qty - 1, Part Number 311.85

Tailgate Mount - Right, Qty - 1, Part Number 311.86

Door Surround - Left, Qty - 1, Part Number 475.97

Door Surround - Right, Qty - 1, Part Number 475.96

Windshield Header, Qty - 1, Part Number 478.33

M8 x 80mm Screw, Qty - 4, Part Number 532.23

Center Bow, Qty - 1, Part Number 383.20

Side Bow - Left, Qty - 1, Part Number 478.83

Side Bow - Right, Qty - 1, Part Number 478.82

Top Arch, Qty - 1, Part Number 479.25

Tailgate Bar, Qty - 1, Part Number 288.76

.5ml Tube Red Loctite, Qty - 1, Part Number 309.83

Rear Window Roll-Up Straps (2 per pkg.), Qty - 1, Part Number 386.90

#8 x 1/2" Pan Head Washer Screw - Black, Qty - 10, Part Number 200.48

#8 x 1/2" Self Drilling Screw, Qty - 2, Part Number 312.09

#8 x 5/8" Pan Head Screw, Qty - 8, Part Number 278.13

Oval Head Screw, Qty - 2, Part Number 276.56

Pivot Bracket Bolt, Qty - 4, Part Number 308.64

M5 x 30 Machine Screw, Qty - 2, Part Number 308.87

#12 x 3/8" Tapping Screw, Qty - 4, Part Number 309.73

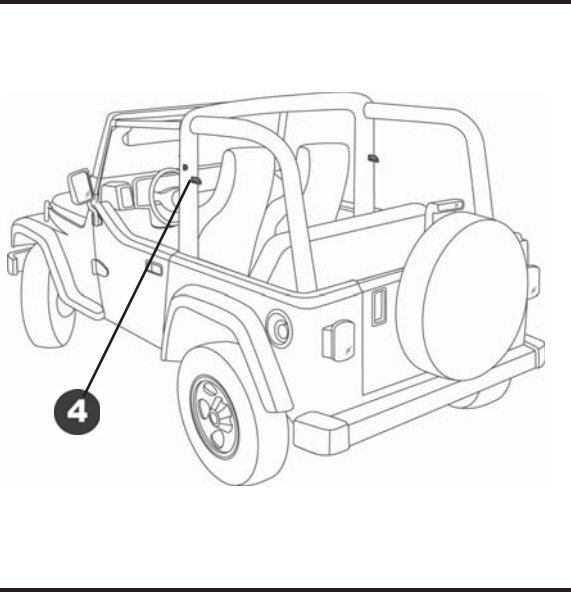
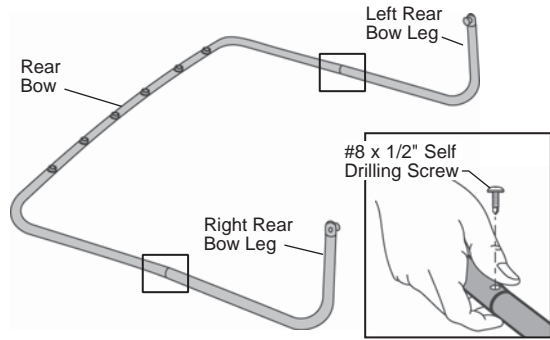
Bushing, Qty - 4, Part Number 473.40

M5 Hex Nut, Qty - 2, Part Number 308.62

Bow Kit Installation Instructions

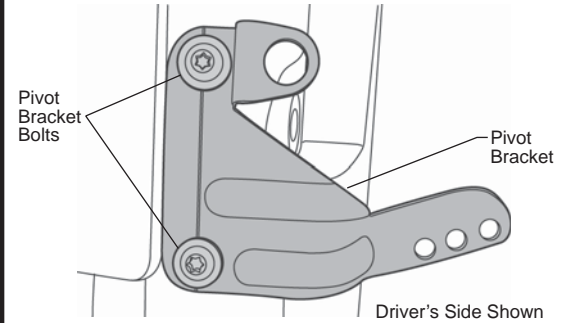
1 Assemble Rear Bow

Orient the Rear Bow Legs with the knobs in the pivot knuckles toward the inside. Slide the Rear Bow Legs and Center section together, aligning the pre-drilled screw holes. Install a #8 x 1/2" Self Drilling Screw, from the parts kit, in each leg.



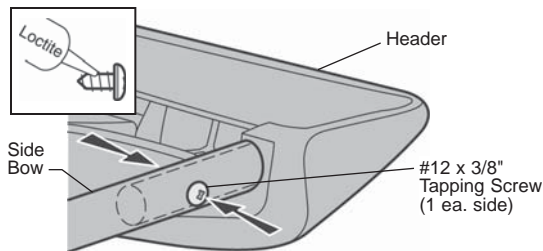
4 Mount Pivot Brackets on Sport Bars

Unzip the vertical padded cover over the sport bar and pull the pad away from the bar to expose the bracket location holes. Orient the Pivot Brackets over the existing holes in the sport bar and install them with the Pivot Bracket Bolts (two bolts per bracket). Zip the padded cover closed.



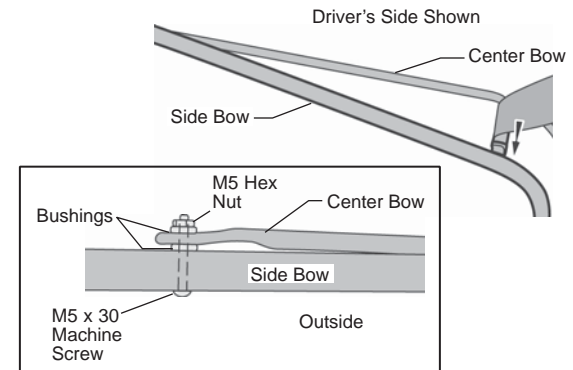
2 Assemble Side Bows to Header

Orient the Side Bows with the knobs in the pivot knuckles toward the outside. Slide the other end over the section of tube and into the Header. Install the #12 x 3/8" Tapping Screws, one on each side of the bow, on each side of the header (4 screws). Place a drop of Loctite on the threads of each screw before installing.



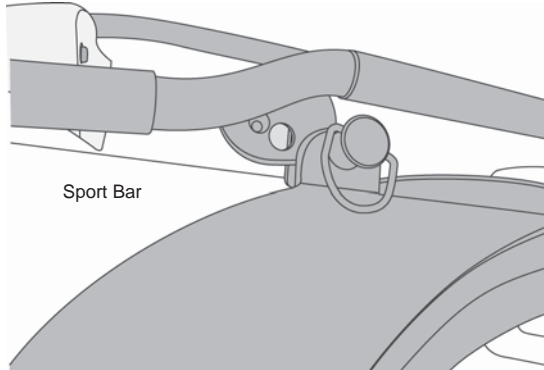
3 Secure Center Bow to Side Bow / Header Assembly

Locate the Center Bow with the fabric Stay Pads attached. Lay the bumpers of the Center Bow on top of the Side Bows and align the holes in the Center Bow with the holes in the Side Bows. Push an M5 x 30 Machine Screw through the Side Bow from the outside. Install a Bushing with the shoulder facing away from the Side Bow. Slide the rod of the Center Bow over the screw and install a second Bushing with the shoulder facing into the hole in the Center Bow. Install an M5 Hex Nut. Tighten the assembly so that the Center Bow is allowed to rotate freely.



Bow Kit Installation Instructions

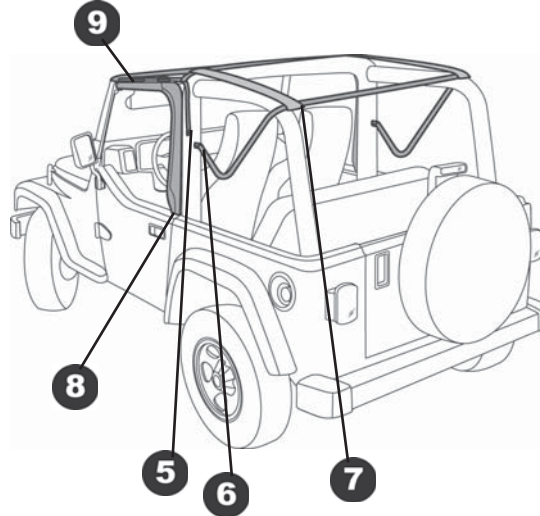
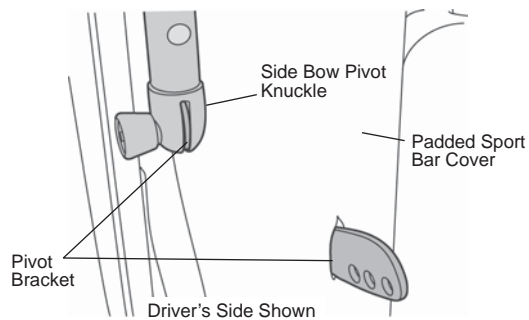
NOTE Make sure the Side bow is latched to the Door surround if you latch the header.



5 Mount Header Assembly to Pivot Bracket

Install the Side Bow Pivot Knuckles onto the upper flange of the Pivot Bracket. Align the knuckle with the bracket and snap it into place.

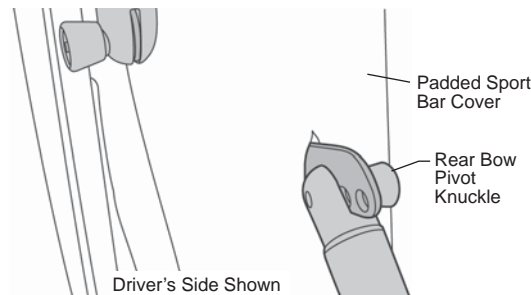
NOTE For 97 to 02 vehicles equipped with factory installed Pivot Brackets, replace with new Bracket from Kit for proper fit.



6 Mount Rear Bow Assembly to Pivot Bracket

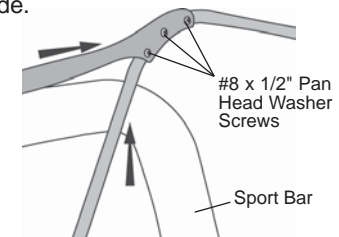
Install the Rear Bow Pivot Knuckle Assemblies onto the lower flange of the Pivot Bracket. Align the knuckle with the bracket and snap it into place.

If you have a new top, install the Rear Bow Pivot in the front hole. Adjust position to tighten later.



7 Secure Stay Pad to Rear Bow

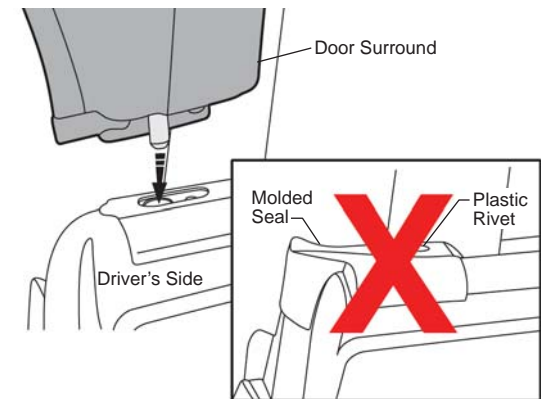
Rotate the front bow assembly forward, laying the header on top of the windshield. Raise the Rear Bow and pull the fabric Stay Pad attached to the Center Bow straight back to the Rear Bow, without twisting. Align the holes in the Stay Pad with the holes in the corner of the Rear Bow. Install #8 x 1/2" Pan Head Washer Screws in the holes on each side.



8 Install Door Surrounds

If your vehicle has molded seals on the belt rail, remove them by pulling up on the plastic rivet.

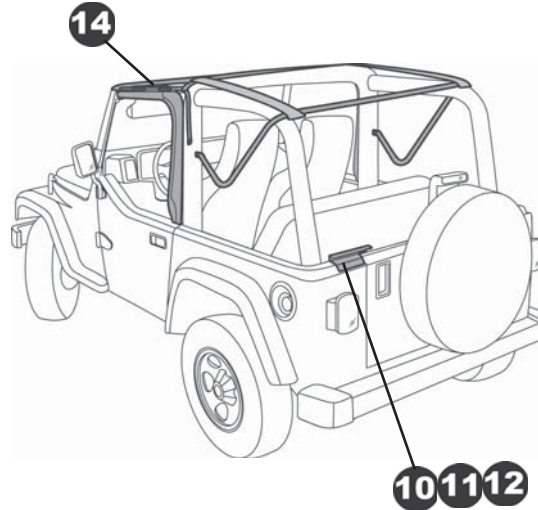
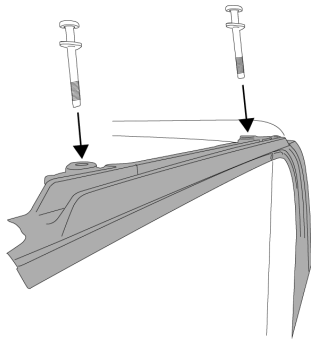
Locate the left and right Door Surrounds. Insert the pin in the bottom of the Door Surround into the hole in the belt rail behind the door.



Bow Kit Installation Instructions

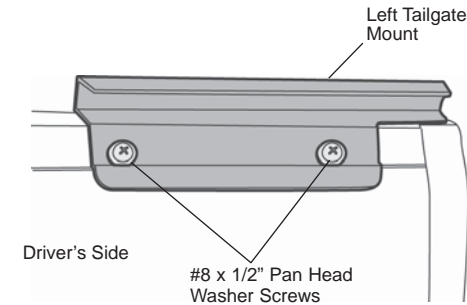
9 Install Door Surrounds

Press the channels along the top of the Door Surround around the horizontal sport bar, above the door opening. Insert two M8 x 80 Screw into the Door Surround and tighten them to 55in/lbs (4.5ft/lbs).



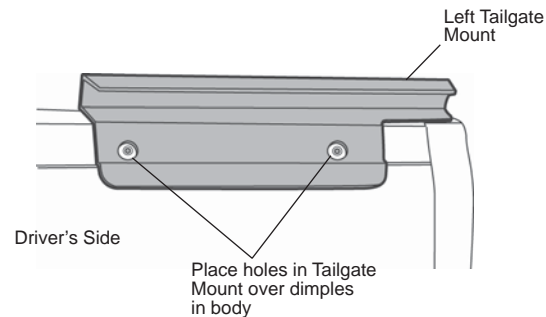
12 Install Tailgate Mounts

Install the Tailgate Mounts with two #8 x 1/2" Pan Head Washer Screws for each mount.



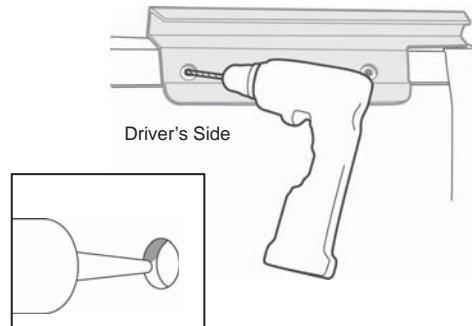
10 Orient Tailgate Mounts

Locate the left and right Tailgate Mounts. Place the holes in the mounts over the dimples in the vehicle body. Mark the hole locations.



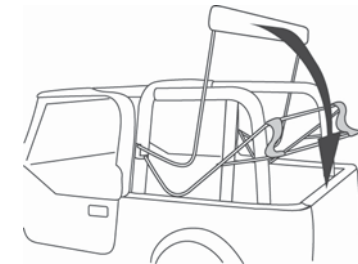
11 Drill Holes

Drill a 1/8" hole at the marked locations. Deburr the holes and seal the edges of the holes with Silicone Sealant.



13 Fold Down Bows

Fold the bows and the header down on the rear of the vehicle.



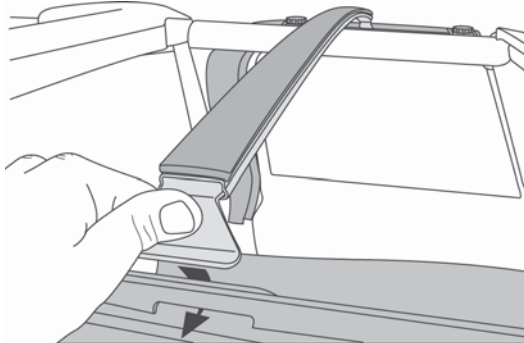
Bow Kit Installation Instructions

14 Install Top Arch

Insert one end of the top arch in to the slot in the middle of one of the Door Surrounds. Push the other end inward to flex the bow and insert it into the slot on the other side of the vehicle.

NOTE

Remove adhesive paper from Top Arch before installing.



LIMITED WARRANTY

We warrant our product to be free from defects in material and workmanship, for the terms specified below, provided there has been normal use and proper maintenance. This warranty applies to the original purchaser only. All remedies under this warranty are limited to the repair or replacement of any item or items found by the factory to be defective within the time period specified. If you have a warranty claim, first you must call our factory at the number below for instructions. You must retain proof of purchase and submit a copy with any items returned for warranty work. Upon completion of warranty work, if any, we will return the repaired or replaced item or items to you freight prepaid. Damage to our products caused by accidents, fire, vandalism, negligence, misinstallation, misuse, Acts of God, or by defective parts not manufactured by us, is not covered under this warranty.

THE WARRANTY TIME PERIOD IS AS FOLLOWS FOR REPLACE-A-TOP™, SAILCLOTH REPLACE-A-TOP™, SUPERTOP®, SUPERTOP® REPLACEMENT SKINS, SUNRIDER®, AND TIGERTOP®: TWO YEARS FROM DATE OF PURCHASE.

THE WARRANTY TIME PERIOD IS AS FOLLOWS FOR ALL OTHER "SOFT GOODS" MANUFACTURED BY OUR COMPANY (USING PRIMARILY VINYL, PLASTICS, AND/OR FOAM): ONE YEAR FROM DATE OF PURCHASE.

THE WARRANTY TIME PERIOD IS AS FOLLOWS FOR ALL OTHER "HARD GOODS" MANUFACTURED BY OUR COMPANY (USING PRIMARILY METALS, PLASTICS, AND/OR FIBERGLASS): ONE YEAR FROM DATE OF PURCHASE.

ANY IMPLIED WARRANTIES OF MERCHANTABILITY AND/OR FITNESS FOR A PARTICULAR PURPOSE CREATED HEREBY ARE LIMITED IN DURATION TO THE SAME DURATION AND SCOPE AS THE EXPRESS WRITTEN WARRANTY. OUR COMPANY SHALL NOT BE LIABLE FOR ANY INCIDENTAL OR CONSEQUENTIAL DAMAGE.

Some states do not allow limitations on how long an implied warranty lasts, or the exclusion or limitation of incidental or consequential damages, so the above limitations or exclusions may not apply to you. This warranty gives you specific legal rights, and you may also have other rights which vary from state to state.



For further information or request for warranty work, please contact:

Bestop Inc. Customer Service

Toll-Free: (800)845-3567

E-mail: csbestop@Bestop.com

Website: www.Bestop.com