



# Installation Instructions Trek Top Glide for JL-2-Door

Vehicle Application:  
Jeep® Wrangler 2-Door JL 2018-Current  
Part Number 54930

## Installation Tips

Before you begin installing your new Trek Top Ultra, please read all the instructions thoroughly.

**⚠ WARNING** Do not rely in any way on the components of this product to protect against injury or death in the event of an accident. Never operate the vehicle in excess of manufacturer’s specifications.

Read and follow, precisely, all installation instructions provided when installing this product. Failure to do so may result in a poor fit and could place occupants of the vehicle in a potentially dangerous situation.

## Important Note:

Before attaching the hardware to the vehicle, it is recommended that you protect the paint on the sport bar. It is also recommended that you have someone help lift the assembled hardware onto the vehicle. It is best to loosely install all of the fasteners until the top is installed then tighten all of the fasteners.



**⚠ CAUTION** Safety glasses should be worn at all times when installing this product.

**WEAR SEAT BELTS AT ALL TIMES**

## Tools



Safety Glasses



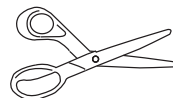
T20 ,T30, T40 and T50 Torx Drivers



2.5mm and 4mm Hex Keys



10mm Wrench



Scissors



Step Ladder



Torque Wrench

## Installation Time



4 hours

## Skill Level



3 - Moderately Difficult

## Support

We’re here to help! Go to:  
<https://www.bestop.com>  
and click on **Need Help?**



<https://www.bestop.com/video-library>



## Installation Instructions Trek Top Glide for JL-2-Door

Vehicle Application:  
Jeep® Wrangler 2-Door JL 2018-Current  
Part Number 54930

### Sugerencias de Instalación

**Antes de empezar a instalar esta unidad, lea atentamente todas las instrucciones.**

**Para un buen ajuste:**

Para facilitar la instalación, el producto debe instalarse a temperaturas superiores a 72 °F (22 °C).

Por debajo de esta temperatura, la tela puede encogerse una pulgada o más, lo que dificultaría su ajuste al vehículo.

Es normal que la tela se contraiga o arrugue cuando está guardada en la caja de empaque. A los pocos días después de la instalación, la tela se relajará y las arrugas desaparecerán.



#### ADVERTENCIA

Este producto se diseñó principalmente para mejorar la apariencia del vehículo y proteger a los ocupantes de las condiciones climáticas comunes. De ninguna manera piense que los componentes de este producto pueden servir como medio de contención para los ocupantes del vehículo o que pueden protegerlos contra lesiones o la muerte en caso de accidente. Este producto no protegerá a los ocupantes contra caídas de objetos. Nunca conduzca este vehículo fuera de las especificaciones del fabricante.

#### USE LOS CINTURONES DE SEGURIDAD EN TODO MOMENTO

Lea y siga con precisión todas las instrucciones de instalación que se proporcionan para instalar este producto. Si no lo hace, podría producirse un mal ajuste que colocaría a los ocupantes del vehículo en una situación potencialmente peligrosa.



#### PRECAUCIÓN

Debe usar gafas protectoras en todo momento durante la instalación de este producto.

### Conseils pour l'installation

**Lire toutes les instructions au complet avant de commencer l'installation de cet assemblage.**

**Pour un ajustement sans problème :**

Afin de faciliter l'installation, ce produit doit être installé à des températures au-dessus de 72 °F (22 °C).

Sous cette température, le tissu peut rétrécir d'un pouce (2,5 cm) ou plus, ce qui rendra l'ajustement sur le véhicule difficile.

Il est normal que le tissu rétrécisse et plisse pendant qu'il est dans la boîte d'expédition. En quelques jours après l'installation, le tissu se détendra et les plis disparaîtront.



#### AVERTISSEMENT

Ce produit est conçu principalement pour améliorer l'apparence du véhicule et pour protéger les occupants des conditions météorologiques usuelles. Ne jamais se fier aux composants de ce produit pour se protéger de blessures ou de la mort en cas d'accident. Ce produit ne protégera pas les occupants des chutes d'objets. Ne jamais utiliser le véhicule au-delà des caractéristiques techniques indiquées par le fabricant.

#### PORTER UNE CEINTURE DE SÉCURITÉ EN TOUT TEMPS

Lire et suivre, très fidèlement, toutes les instructions d'installation fournies lors de l'installation de ce produit. Ne pas suivre cette consigne peut causer une installation inadéquate et mettre les occupants du véhicule dans une situation potentiellement dangereuse.

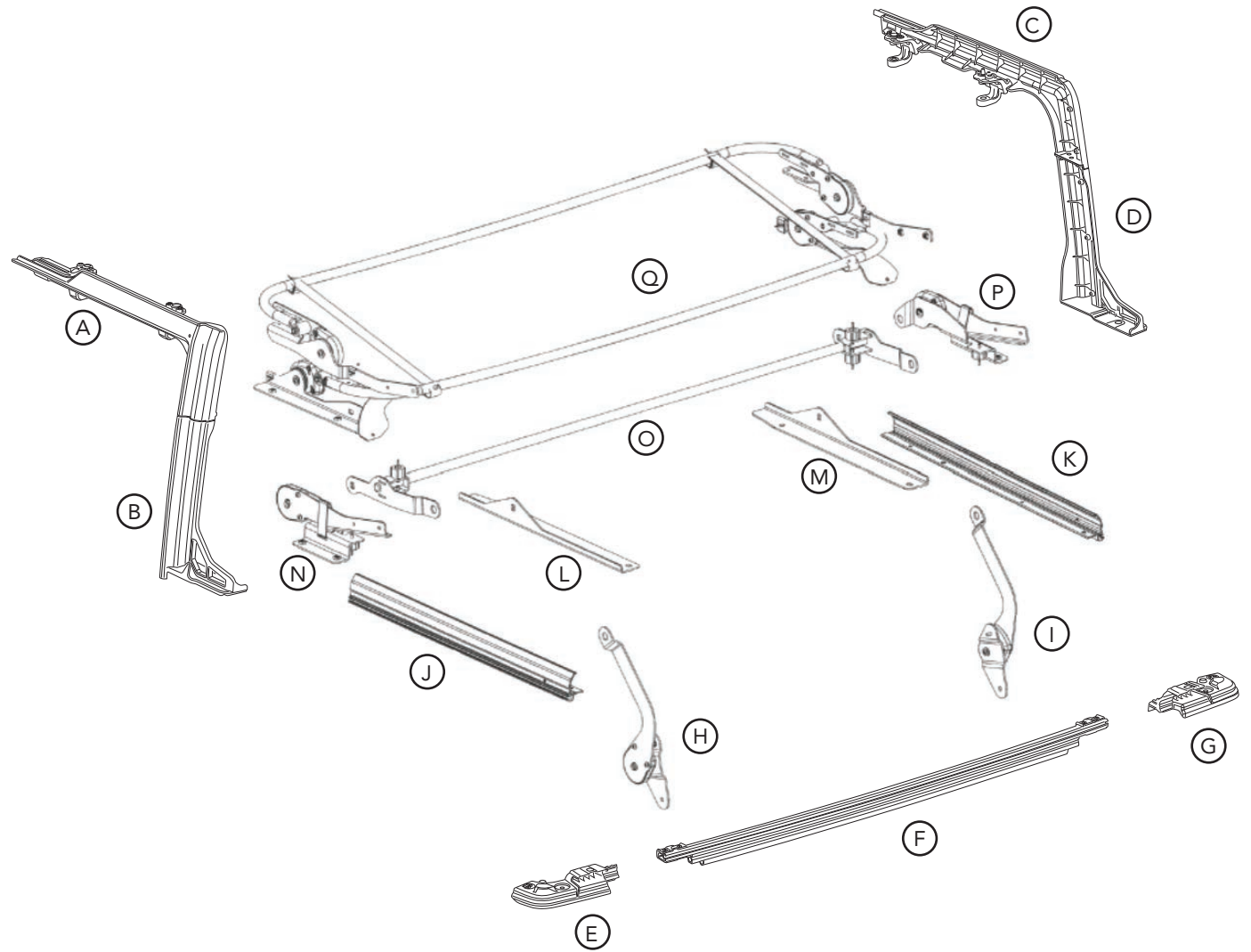


#### MISE EN GARDE

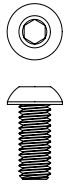
Des lunettes de sécurité doivent être portées en tout temps lors de l'installation de ce produit.



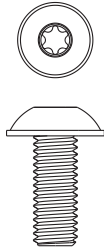
A	Door Rail Upper Left	577.07
B	Door Rail Lower Left	577.09
C	Door Rail Upper Right	577.06
D	Door Rail Lower Right	577.08
E	Tailgate Bar Retainer Left	575.39
F	Tailgate Bar	575.33
G	Tailgate Bar Retainer Right	575.38
H	Rear Bow Arm Left	663.35
I	Rear Bow Arm Right	663.34
J	Quarter Window Retainer Left	664.13
K	Quarter Window Retainer Right	664.12
L	Mounting Bracket Left	664.11
M	Mounting Bracket Right	664.10
N	Sunrider Arm Assembly Left	663.33
O	4 Bar Assembly	663.24
P	Sunrider Arm Assembly Right	663.32
Q	#2 Bow-#3 Bow Assembly	665.15



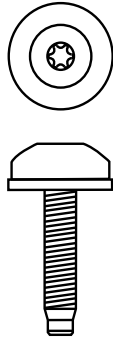
### Small Parts Kit #665.09



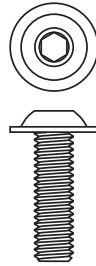
M6 x 12mm Button Head  
Socket Cap Screw  
#660.43  
Qty. 26  
4mm Hex Key



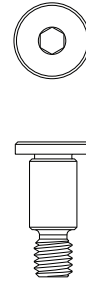
M8x1.25x20mm  
Flanged Button Head  
Cap Screw  
#573.09  
Qty. 2  
T40



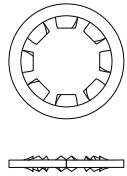
M8 x 38mm Screw  
#532.17  
Qty. 8  
T50



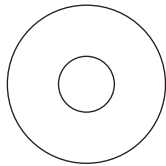
M6x15mm Flanged  
Button Head Screw  
#533.61  
Qty. 4  
T30



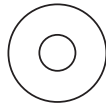
M4 x 8mm Shoulder Bolt  
#665.42  
Qty. 2  
2.5mm Hex Key



Internal Tooth Washer  
#663.63  
Qty. 26



M8 Flat Washer  
#515.84  
Qty. 2



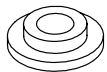
M6 Flat Washer  
#660.46  
Qty. 6



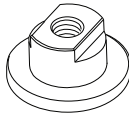
Plastic Thrust Washer  
#587.19  
Qty. 6



M6 Nylon Lock Nut  
#494.01  
Qty. 4  
10mm Wrench



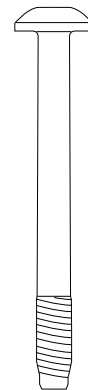
Plastic Bushing  
#519.76  
Qty. 6



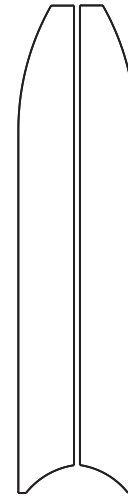
4 Bar Pivot  
#660.41  
Qty. 6



Loctite Capsule  
Part #309.83  
Qty. 1



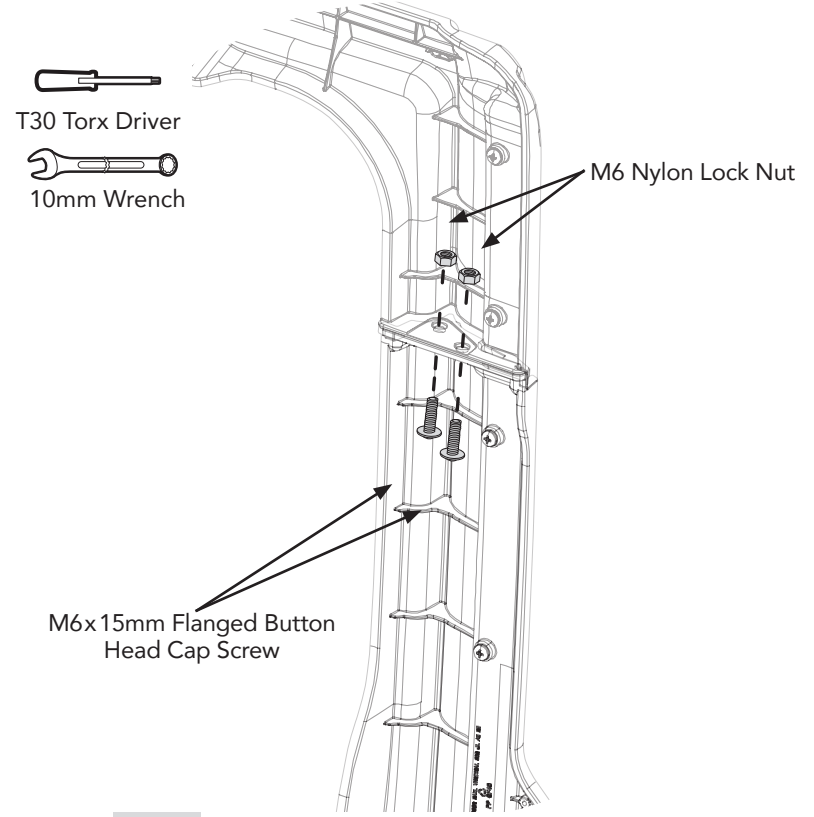
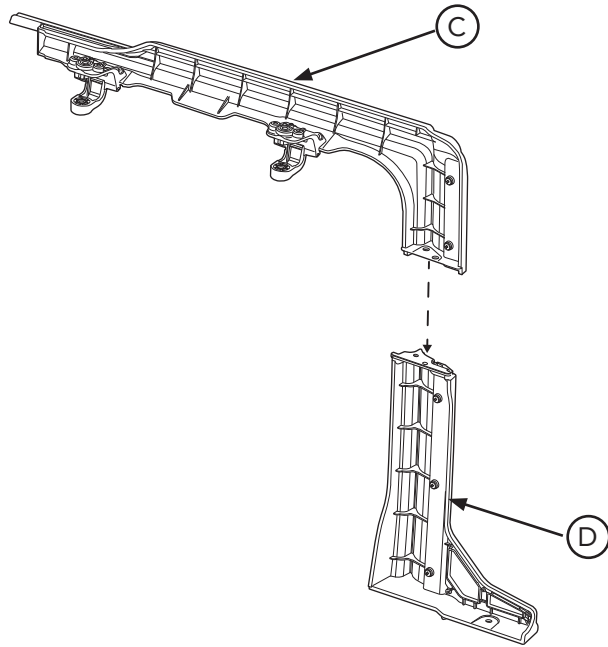
M8 x 1.25x80 Screw  
#532.23  
Qty. 4  
T40



Foam Seals  
#573.20 (Right)  
#573.21 (Left)  
Qty 1 of each

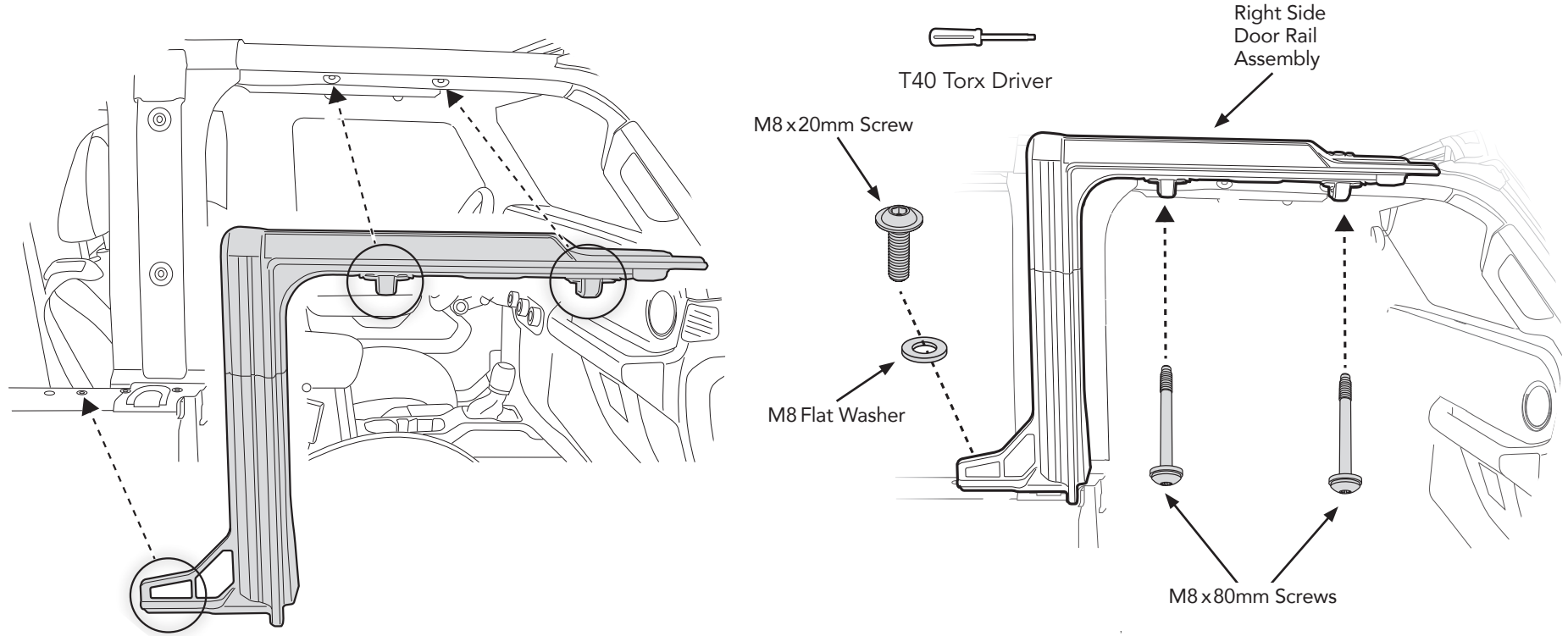


**Torque specs**  
6mm fasteners  
5.16 ft/lbs (61 in/lbs)  
8mm Fasteners  
14.75 ft/lbs (106+ in/lbs)



**NOTE:** Screws must be inserted from the bottom up.

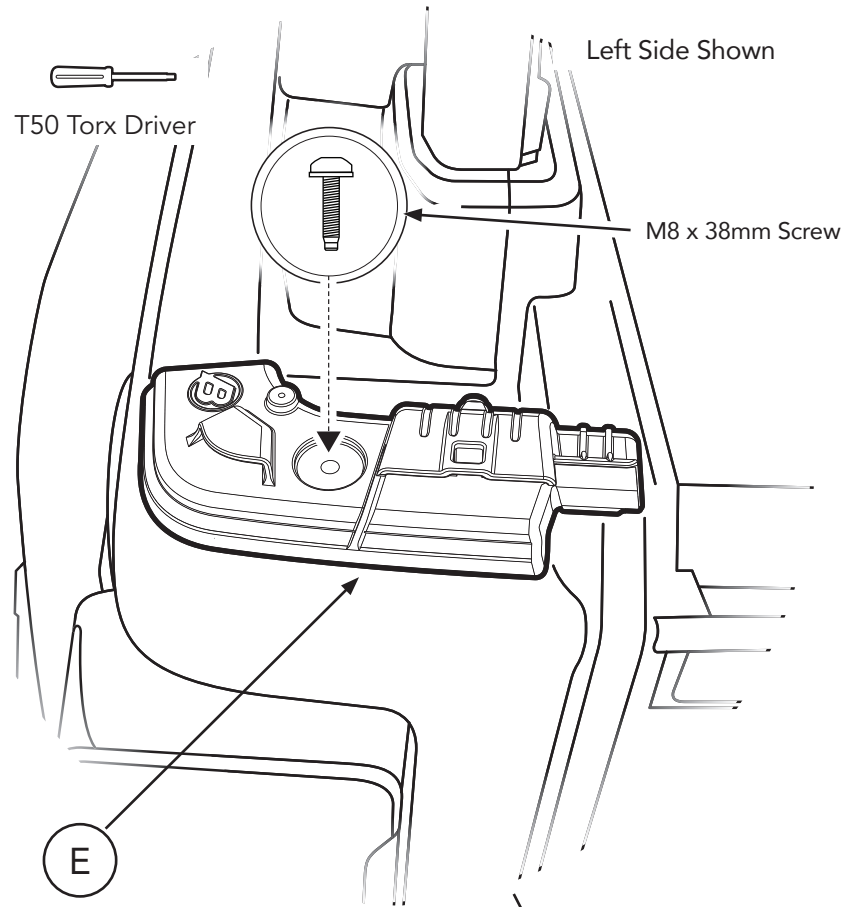
Repeat this on the Left side Door Rails.



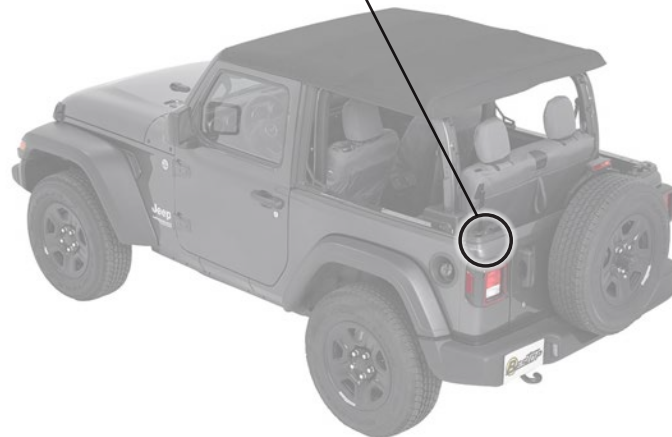
Repeat on left side of vehicle.

**NOTE:** To prevent over tightening, Use a Screwdriver type Torx driver if a torque wrench is not available.

Torque specs	
6mm fasteners	5.16 ft/lbs (61 in/lbs)
8mm Fasteners	14.75 ft/lbs (106+ in/lbs)



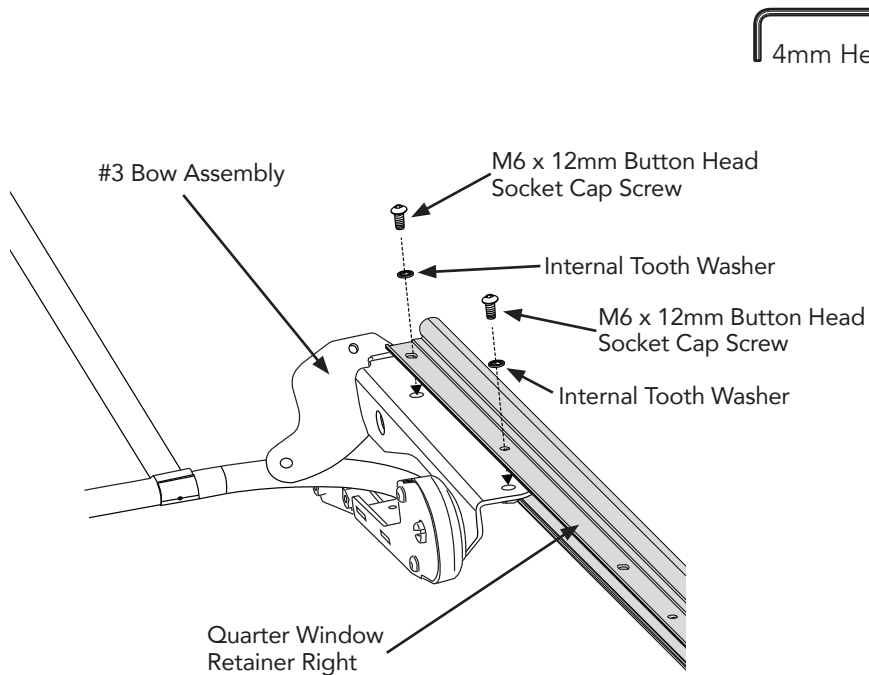
Repeat on right side of vehicle.



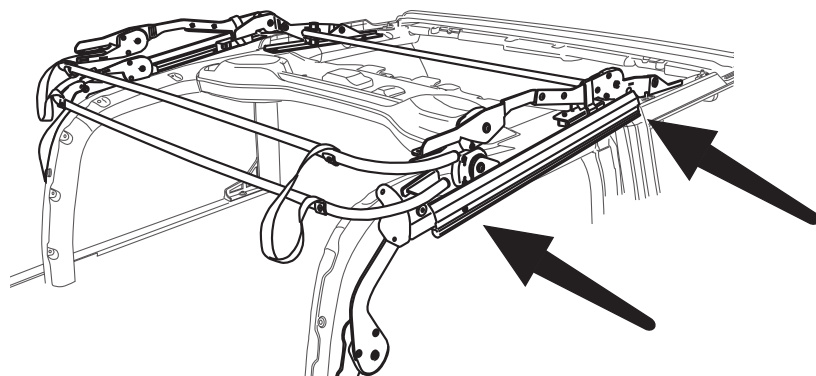
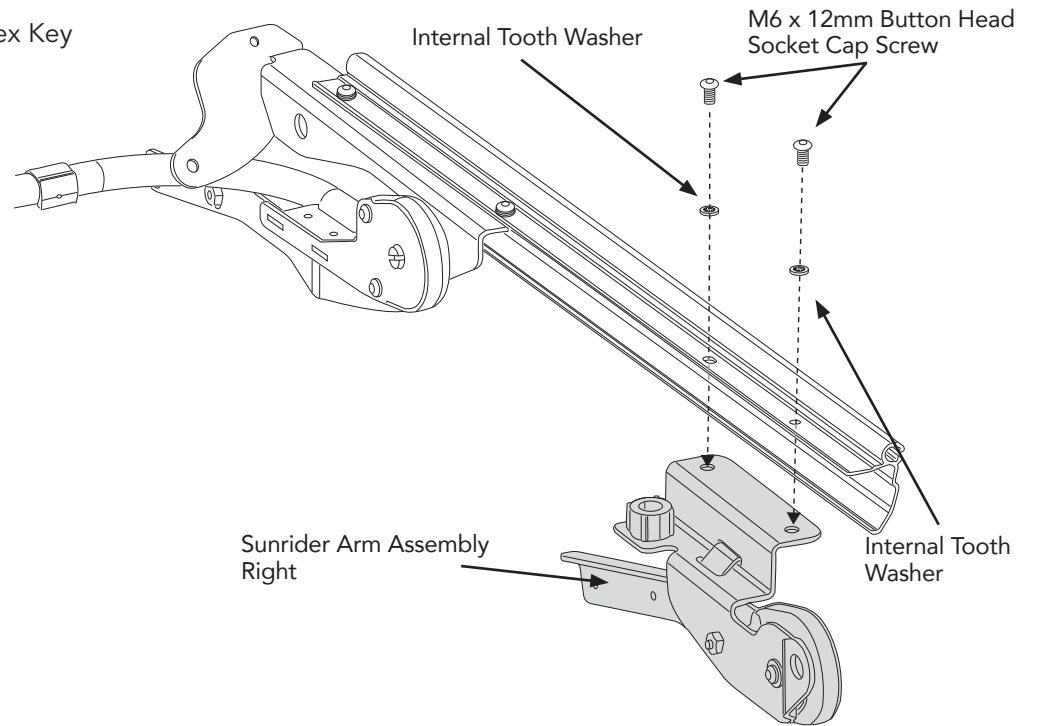
<b>Torque specs</b>
<b>6mm fasteners</b>
5.16 ft/lbs (61 in/lbs)
<b>8mm Fasteners</b>
14.75 ft/lbs (106+ in/lbs)

**NOTE:** The frame should be pre-assembled on the ground  
(Assemble upside down)

Passenger side shown



Passenger side shown



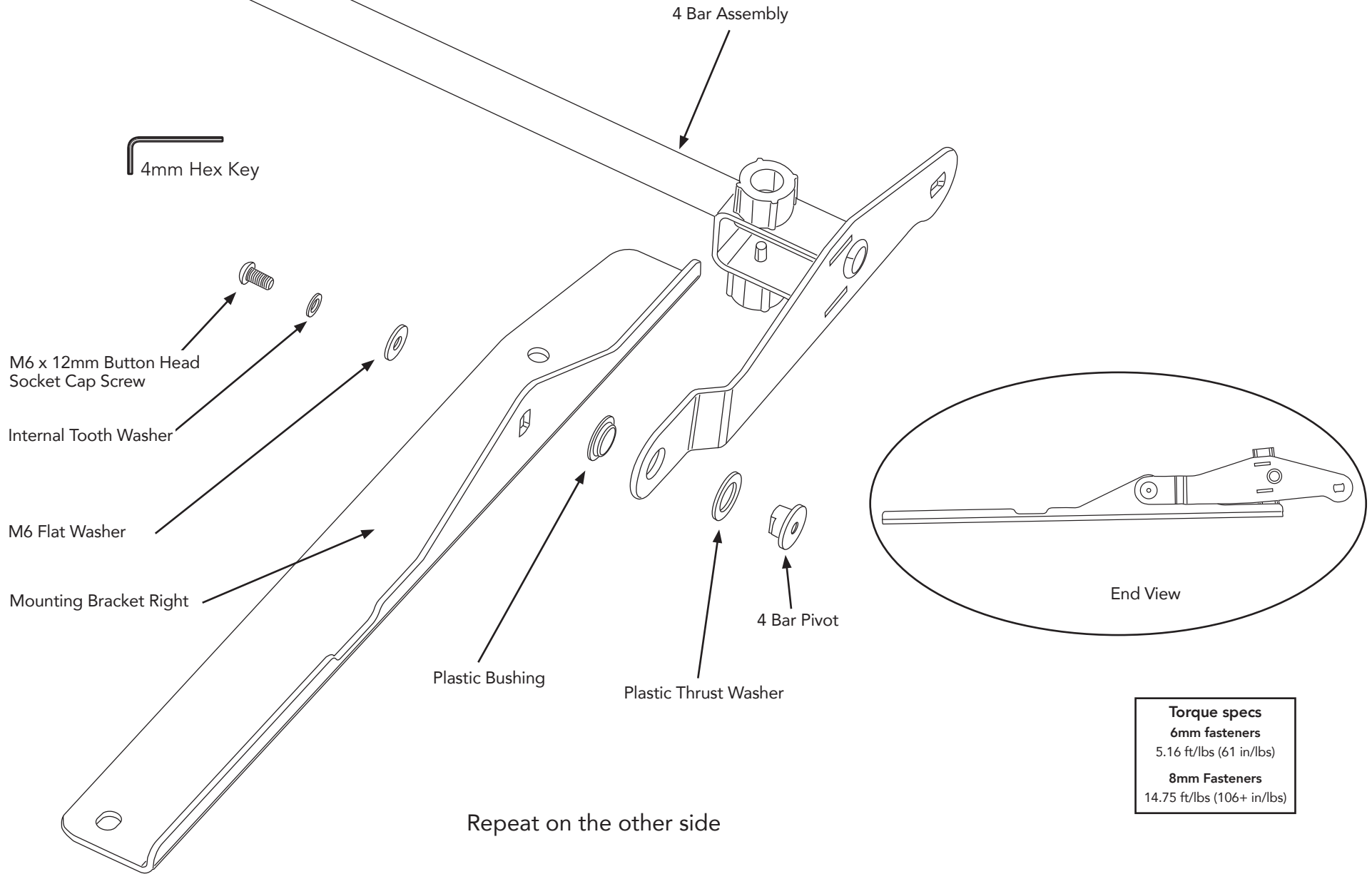
<b>Torque specs</b>
<b>6mm fasteners</b>
5.16 ft/lbs (61 in/lbs)
<b>8mm Fasteners</b>
14.75 ft/lbs (106+ in/lbs)

Repeat on the other side



# Section 5 Assemble 4 Bar Assembly to Mounting Brackets

Passenger side shown

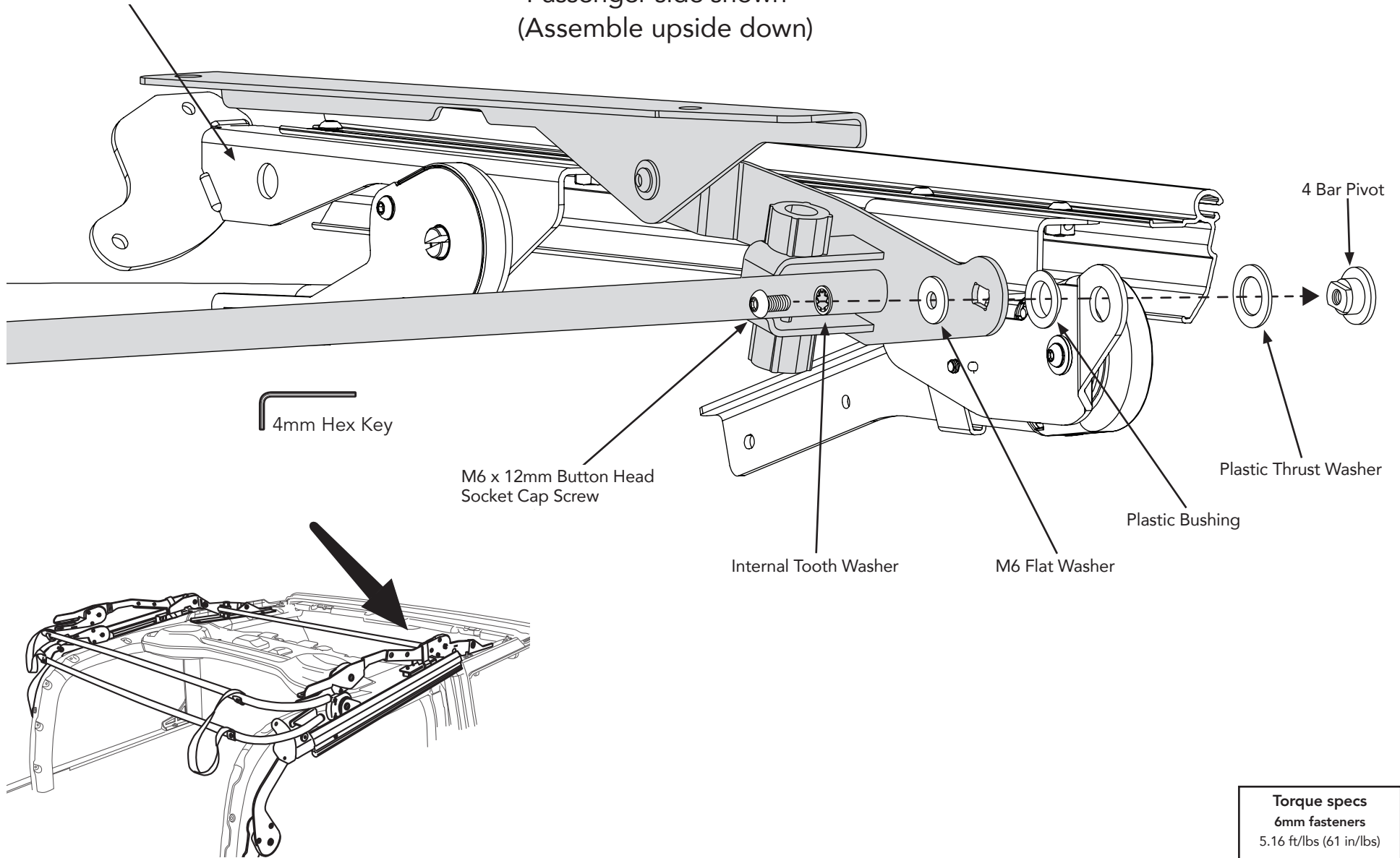


<b>Torque specs</b>
<b>6mm fasteners</b>
5.16 ft/lbs (61 in/lbs)
<b>8mm Fasteners</b>
14.75 ft/lbs (106+ in/lbs)

## Section 6 Attach 4 Bar Assembly to Sunrider Arm Assembly

#2 - #3 Bow Assembly

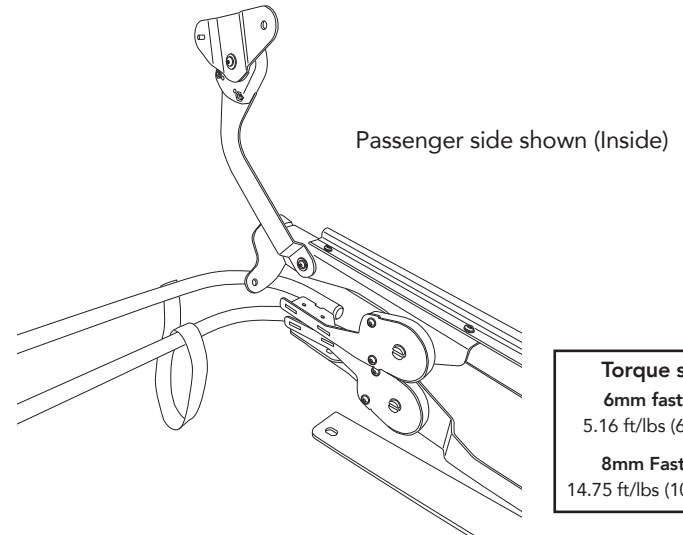
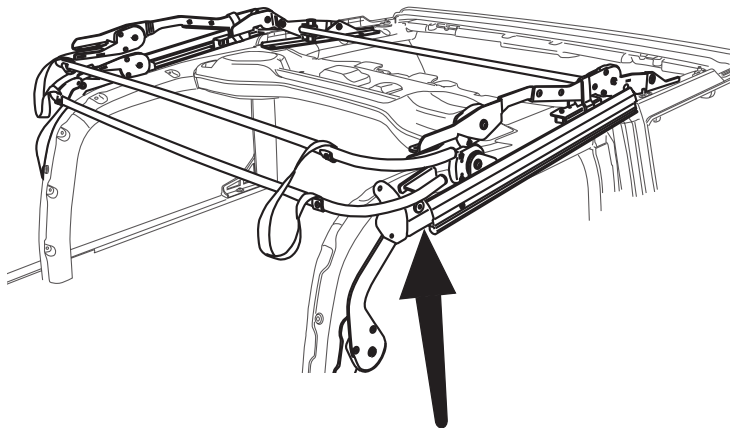
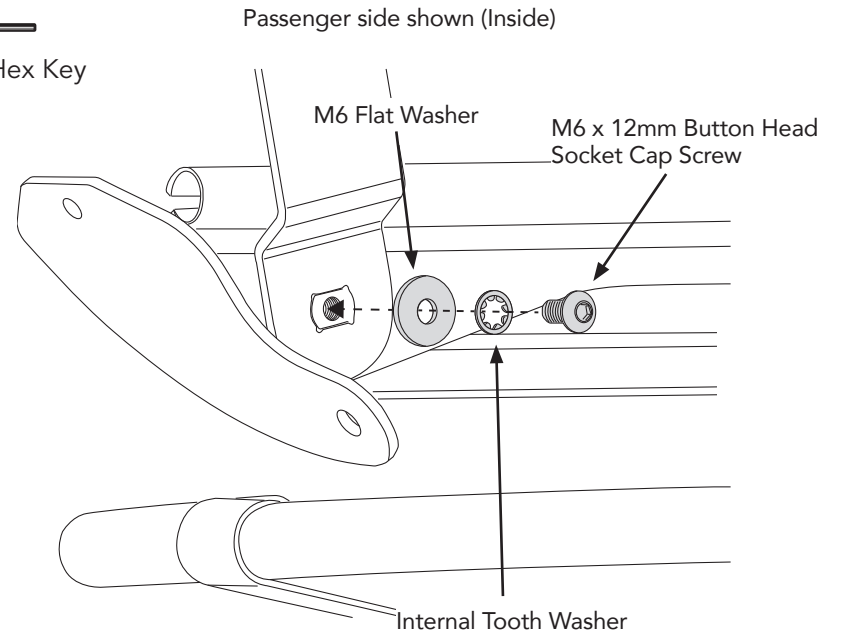
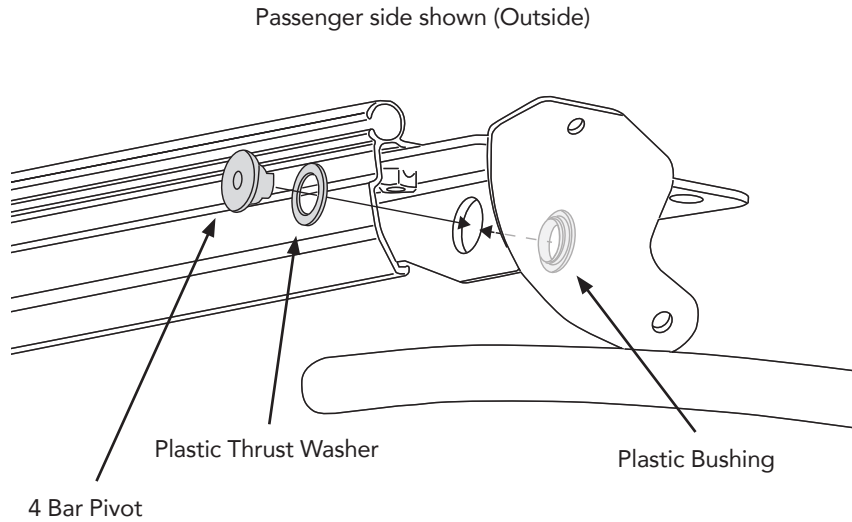
Passenger side shown  
(Assemble upside down)



Repeat on the other side

<b>Torque specs</b>
<b>6mm fasteners</b>
5.16 ft/lbs (61 in/lbs)
<b>8mm Fasteners</b>
14.75 ft/lbs (106+ in/lbs)

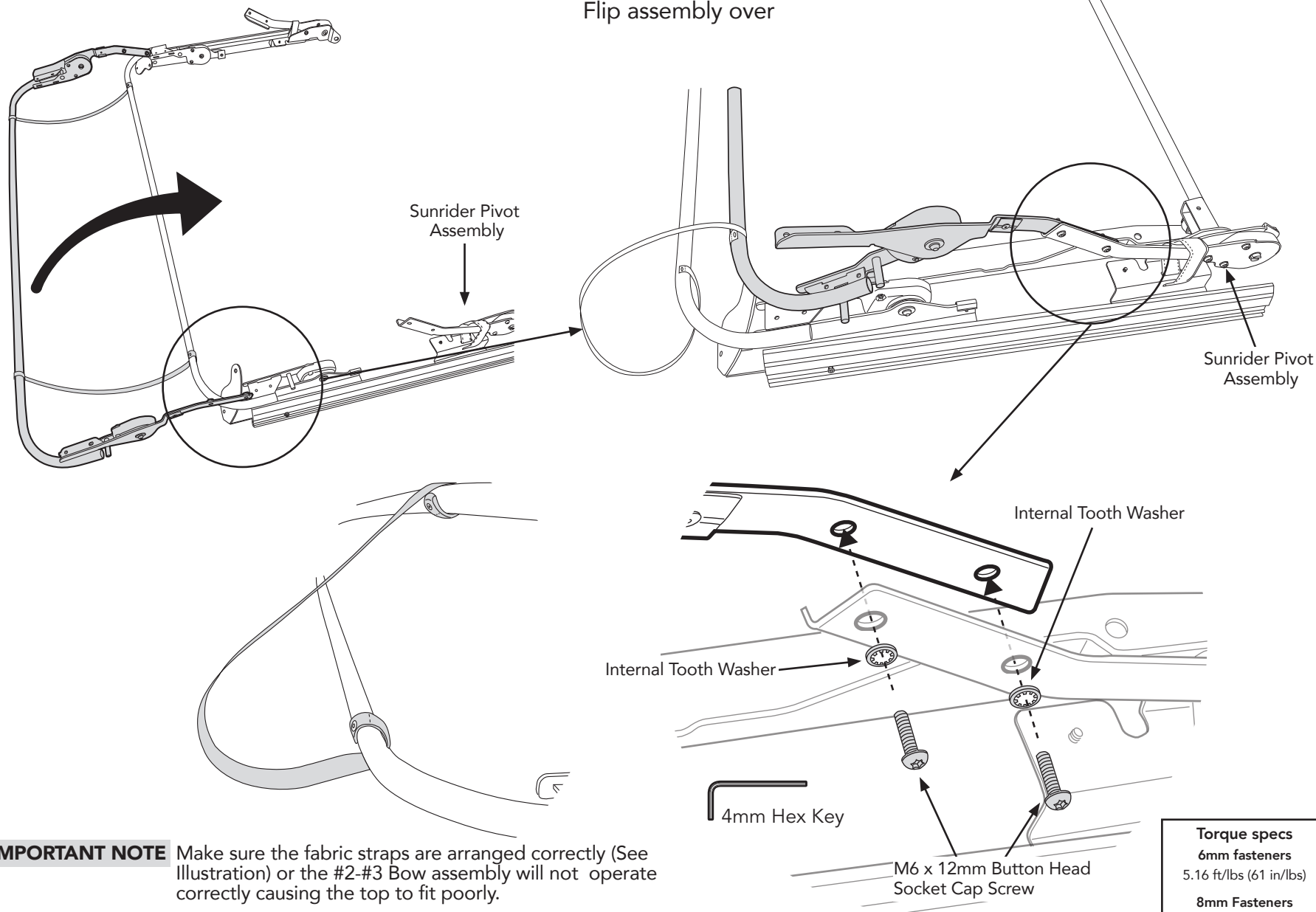
(Assemble upside down)



<b>Torque specs</b>
<b>6mm fasteners</b>
5.16 ft/lbs (61 in/lbs)
<b>8mm Fasteners</b>
14.75 ft/lbs (106+ in/lbs)

Repeat on the other side

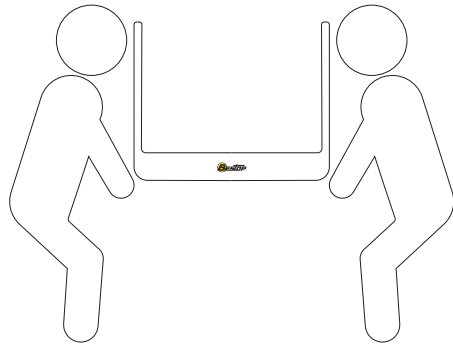
\*\*\* Two people recommended for this step\*\*\*  
 Flip assembly over



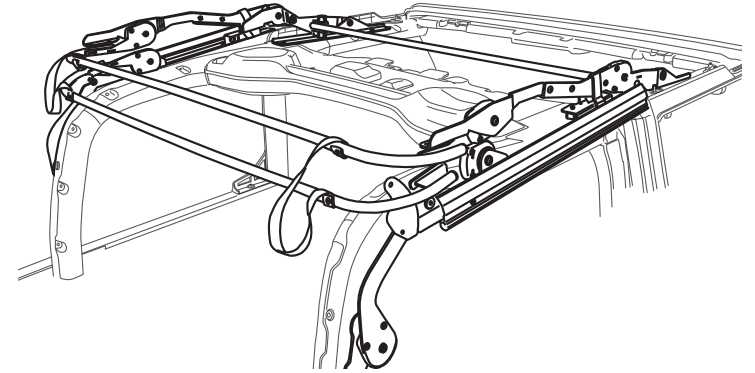
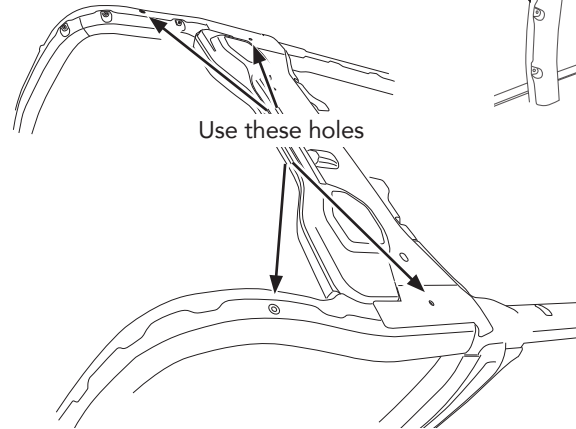
**IMPORTANT NOTE** Make sure the fabric straps are arranged correctly (See Illustration) or the #2-#3 Bow assembly will not operate correctly causing the top to fit poorly.

Repeat on the other side

Tip



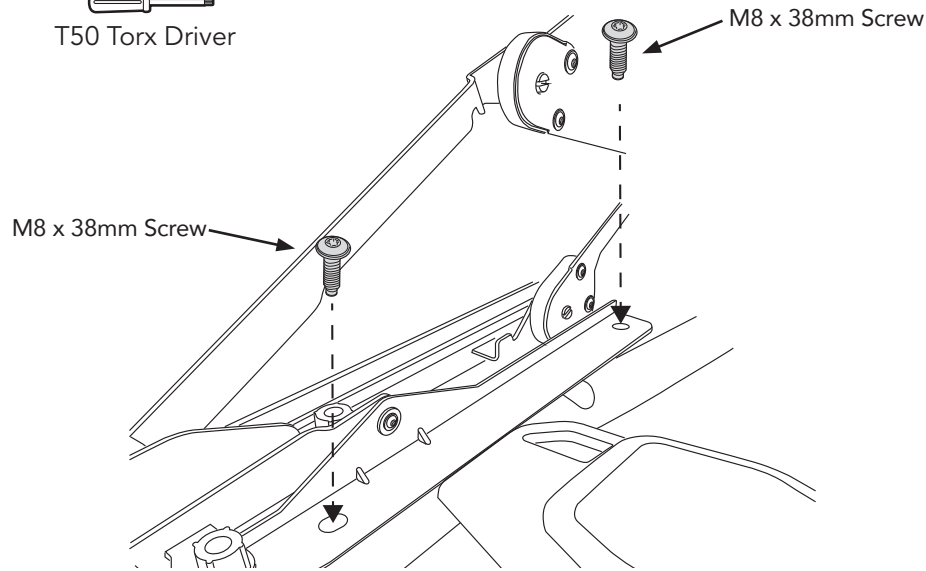
Get a friend (Or someone who owes you a favor) to help you lift the Frame Assembly onto the top of the vehicle.



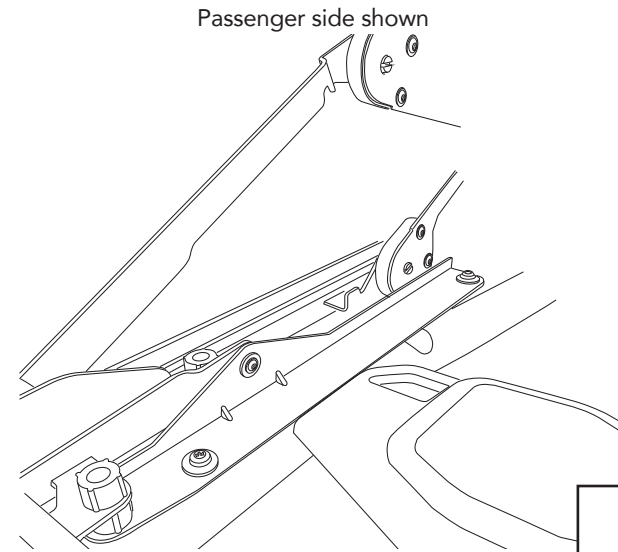
Passenger side shown



T50 Torx Driver

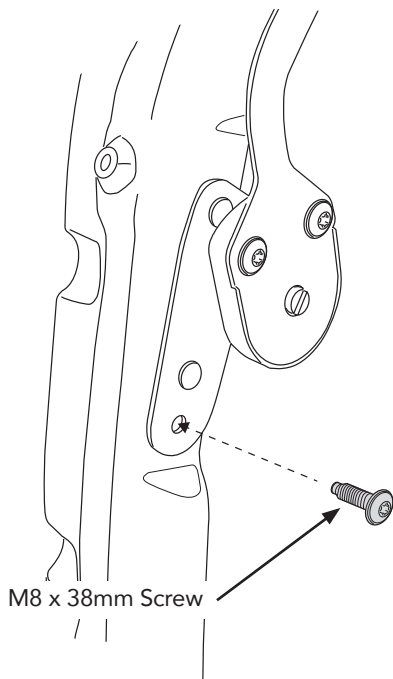
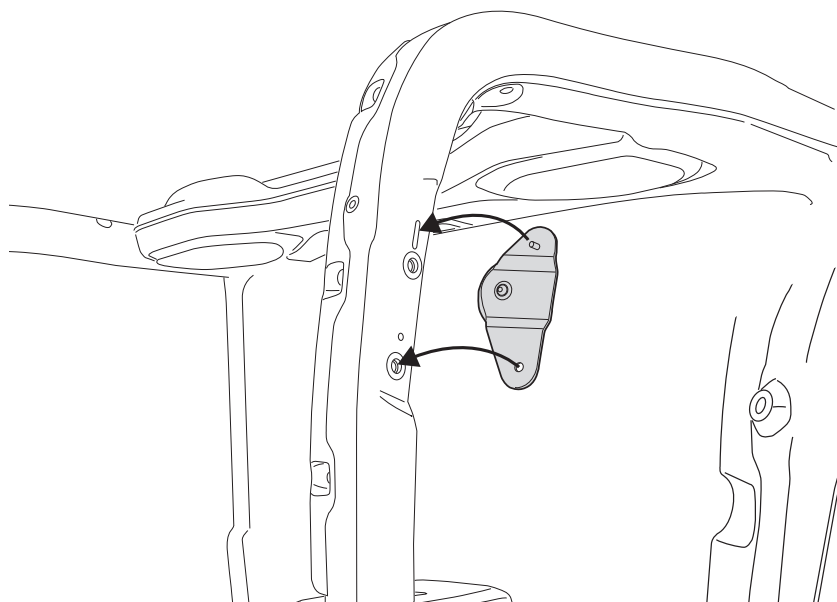


Passenger side shown



Repeat on the other side

<b>Torque specs</b>
6mm fasteners
5.16 ft/lbs (61 in/lbs)
8mm Fasteners
14.75 ft/lbs (106+ in/lbs)

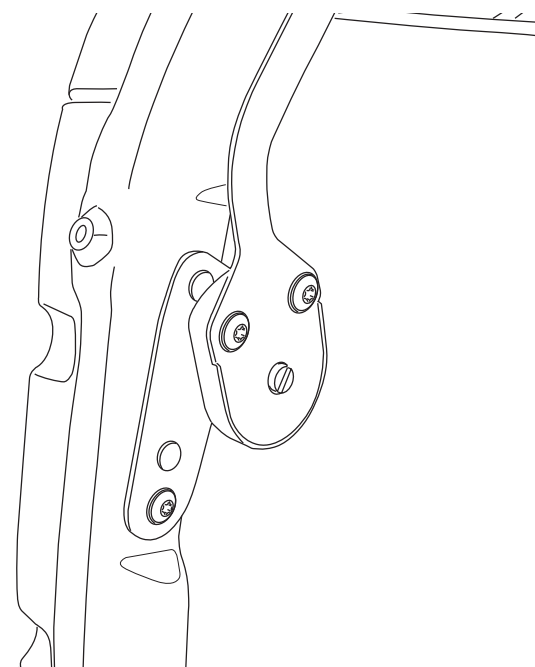


M8 x 38mm Screw

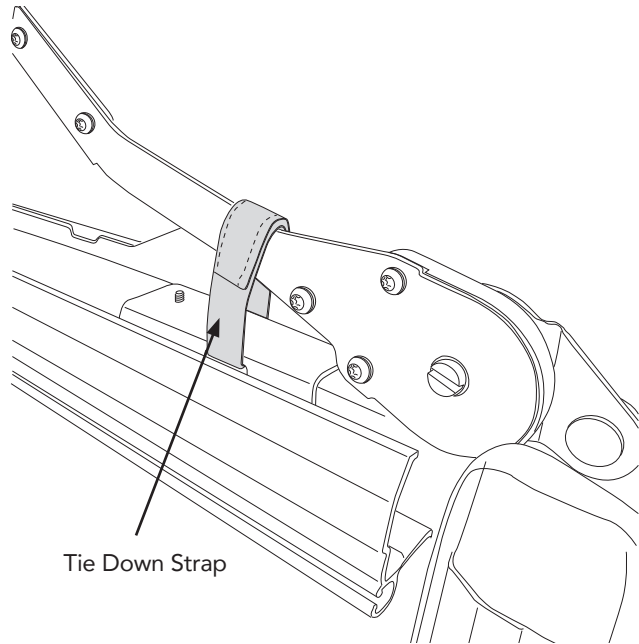


T50 Torx Driver

<b>Torque specs</b>
<b>6mm fasteners</b>
5.16 ft/lbs (61 in/lbs)
<b>8mm Fasteners</b>
14.75 ft/lbs (106+ in/lbs)



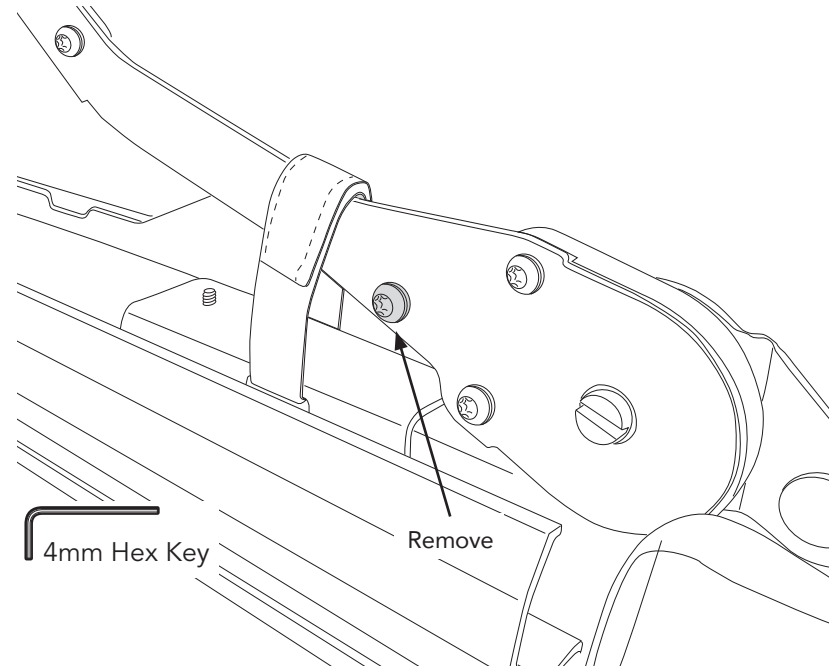
Repeat on the left side



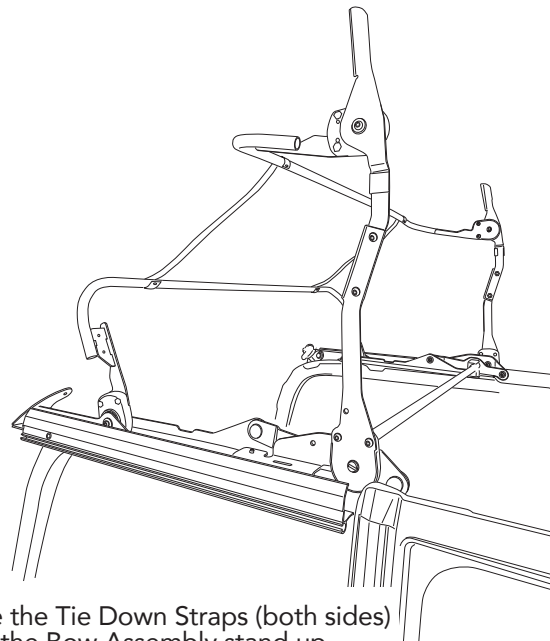
**IMPORTANT** Ensure the Nylon Tie Down Strap is secure on both sides of the vehicle.

**Tip**

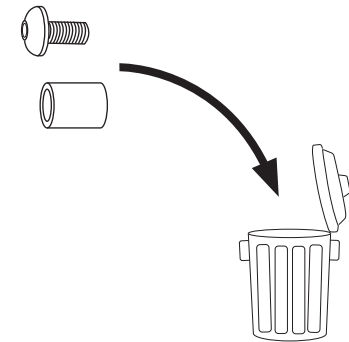
Tie Down Straps can be used while driving off road to help prevent the frame assembly from bouncing.



Remove the BLACK colored screw and spacer from the pivot assembly and discard.



Remove the Tie Down Straps (both sides) And let the Bow Assembly stand up.



Repeat on the left side of the vehicle.

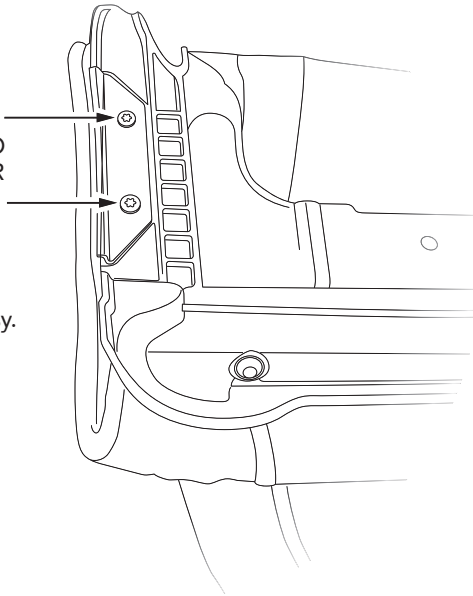


T20 Torx Driver

Remove these two screws. HOLD ONTO THESE SCREWS FOR REUSE.

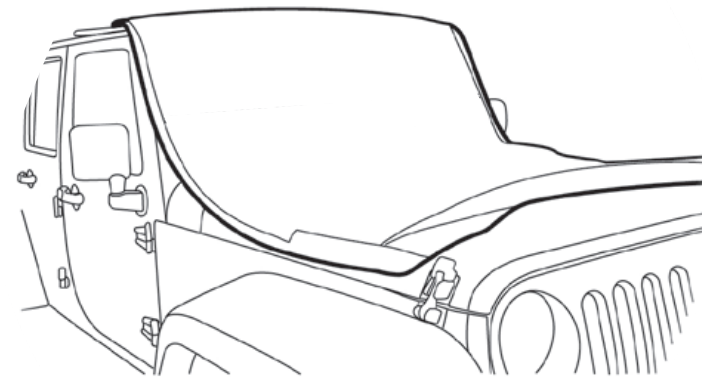
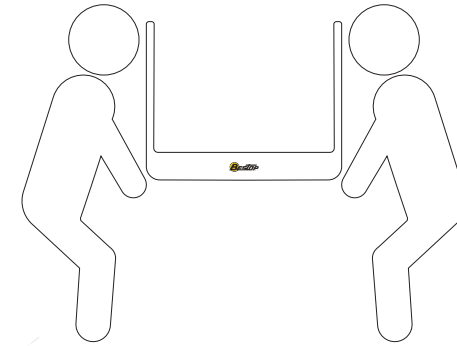
Fold tab back.

Repeat on other side of Fabric/Header Assy.



Repeat on the other side.

**Tip**

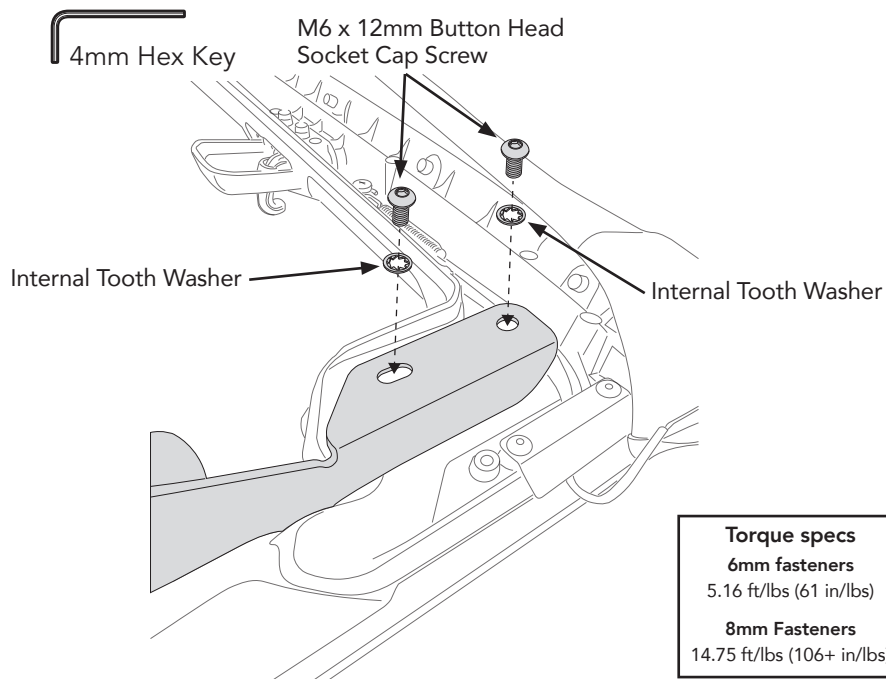
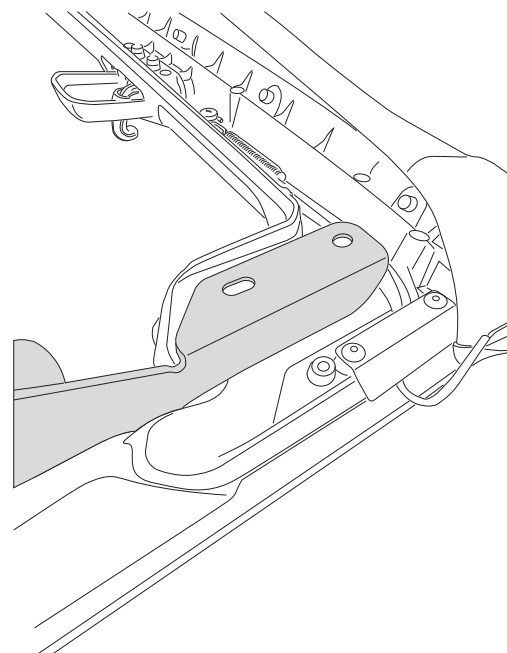
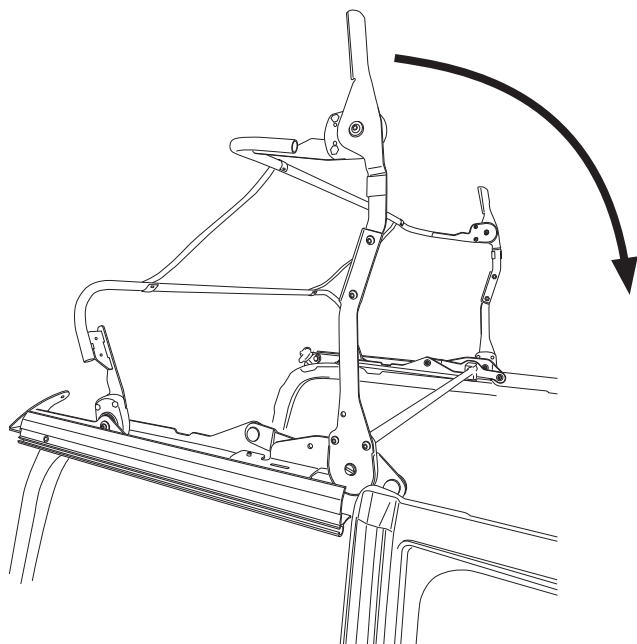


Place the Fabric/Header Assembly on the hood of the vehicle then place the Header on top of the windshield.

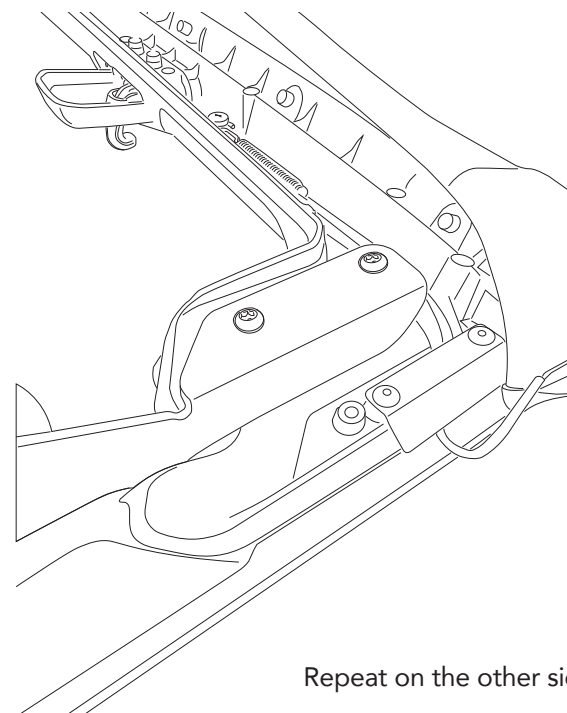
**Tip**

Place a blanket on top of the hood to protect the paint.

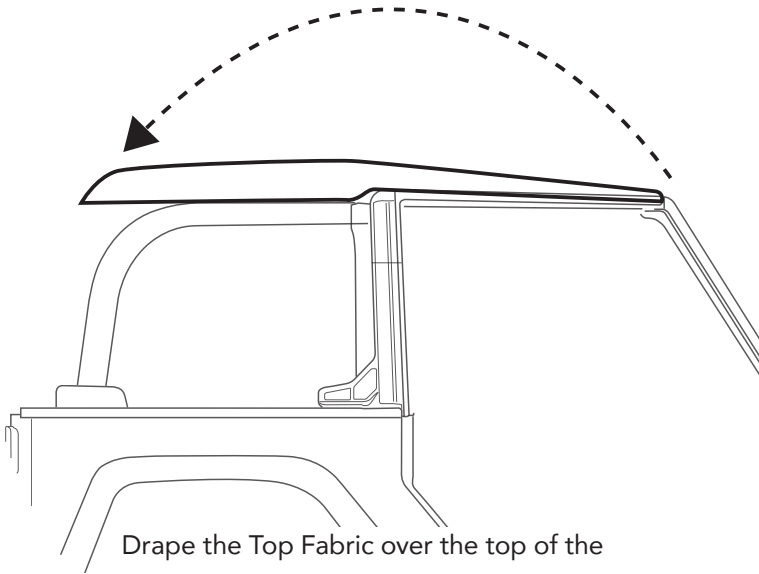




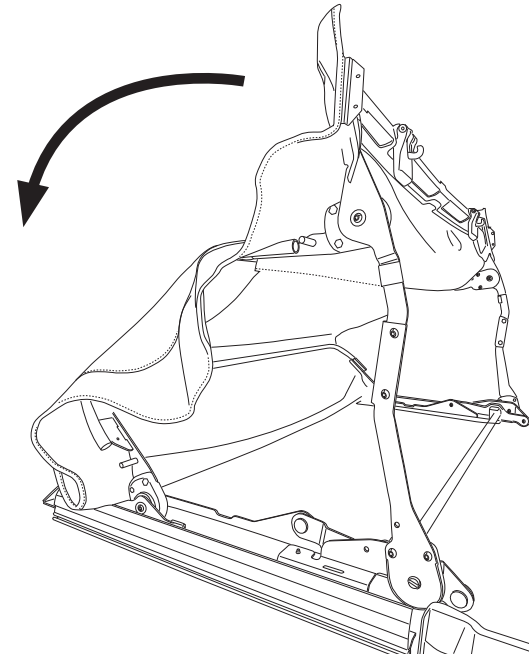
<p><b>Torque specs</b></p> <p><b>6mm fasteners</b> 5.16 ft/lbs (61 in/lbs)</p> <p><b>8mm Fasteners</b> 14.75 ft/lbs (106+ in/lbs)</p>
---



Repeat on the other side.



Drape the Top Fabric over the top of the Jeep Sport Bars, and the #2, #3 and #4 Bows.



Fold The top Assembly back

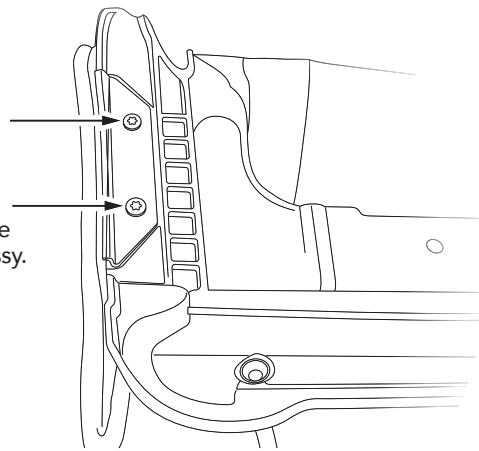


T20 Torx Driver

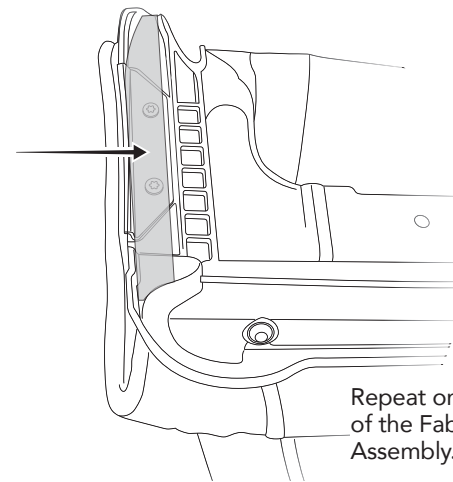
Fold tab back.

Replace these two screws.

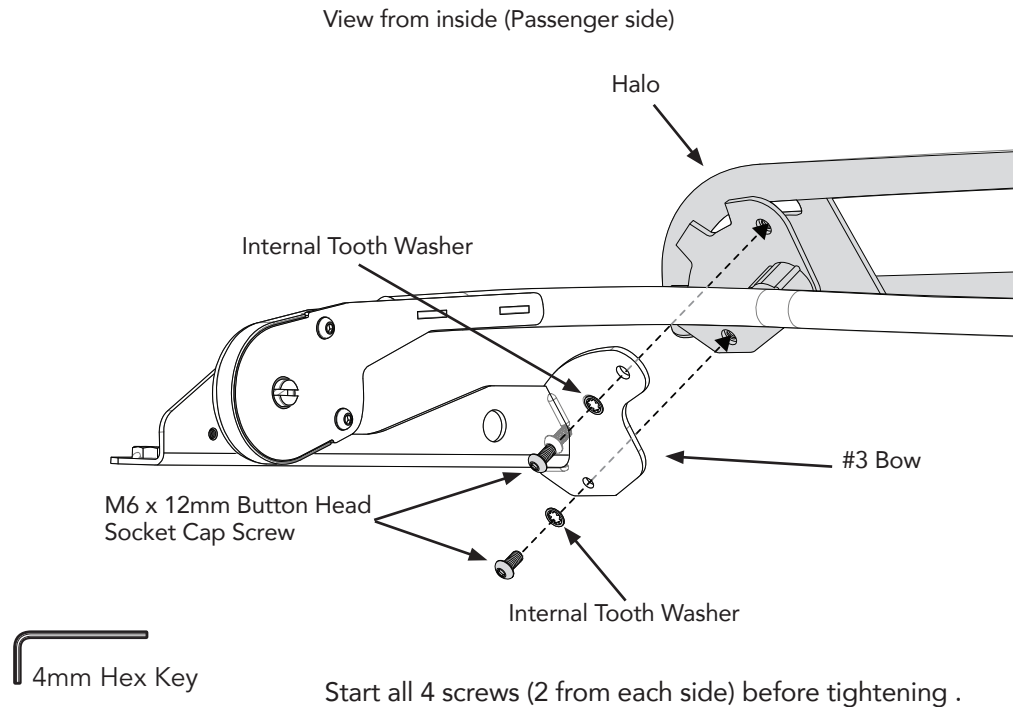
Repeat on other side of Fabric/Header Assy.



Foam Seal

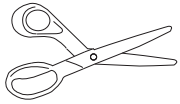


Repeat on the other side of the Fabric/Header Assembly.

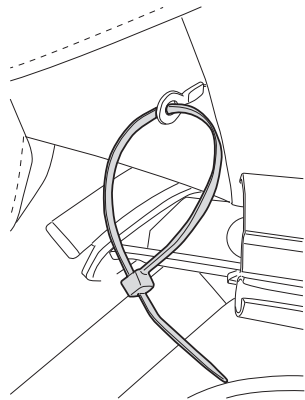


**NOTE:** The Halo is already attached to the Header/Fabric Assembly from the factory.

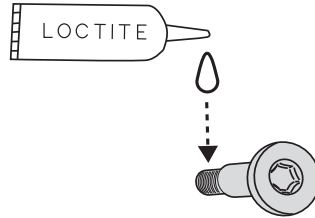
<b>Torque specs</b>
<b>6mm fasteners</b>
5.16 ft/lbs (61 in/lbs)
<b>8mm Fasteners</b>
14.75 ft/lbs (106+ in/lbs)



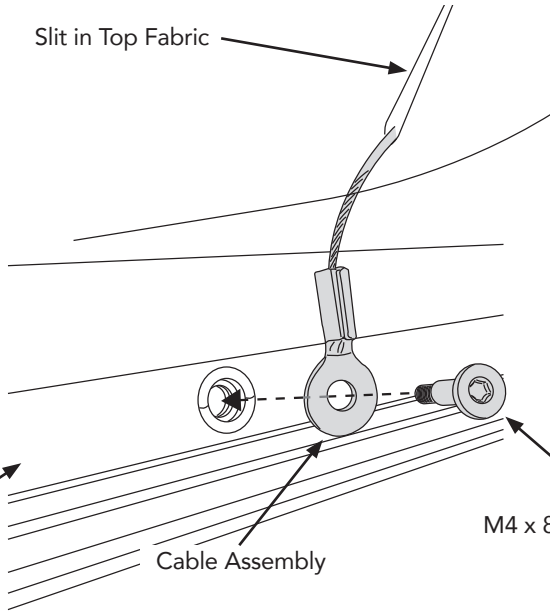
Scissors



Cut plastic wire tie from the ring terminal located at the end of the cable and discard it.



Slit in Top Fabric

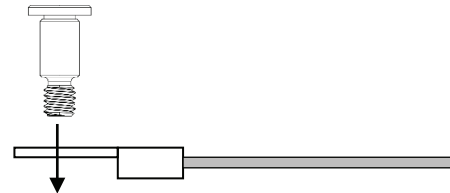
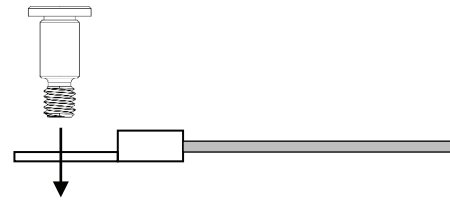
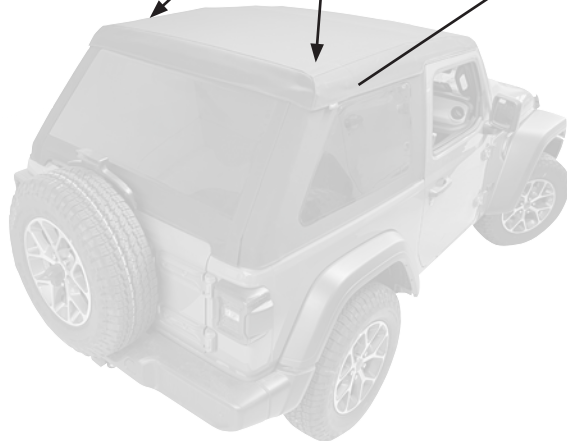


2.5mm Hex Key

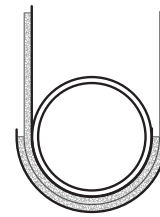
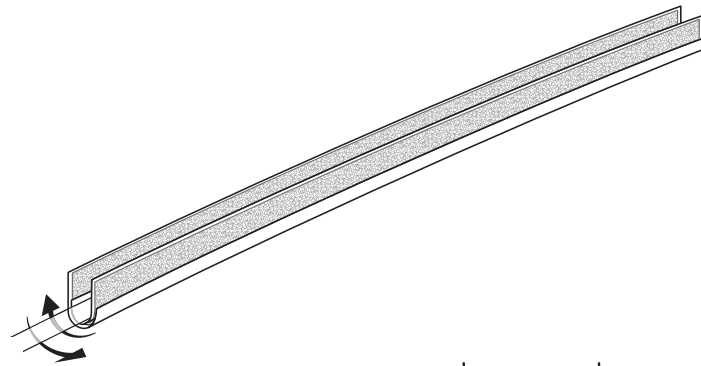
M4 x 8mm Shoulder Bolt

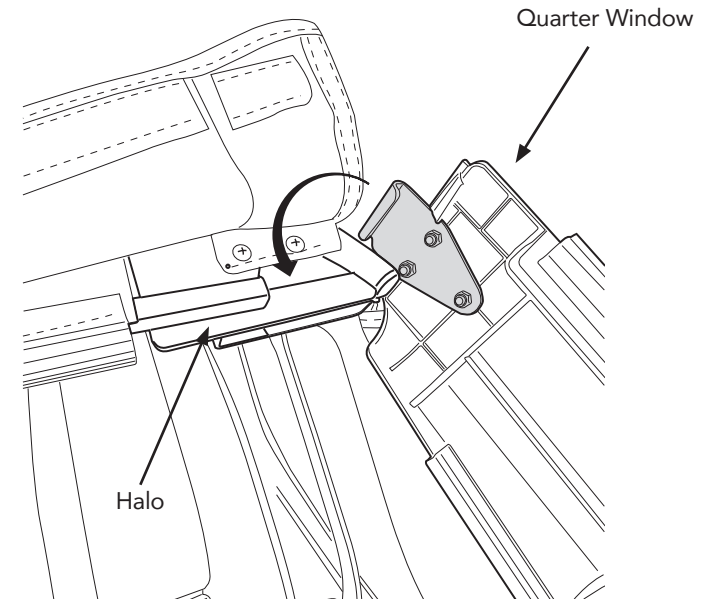
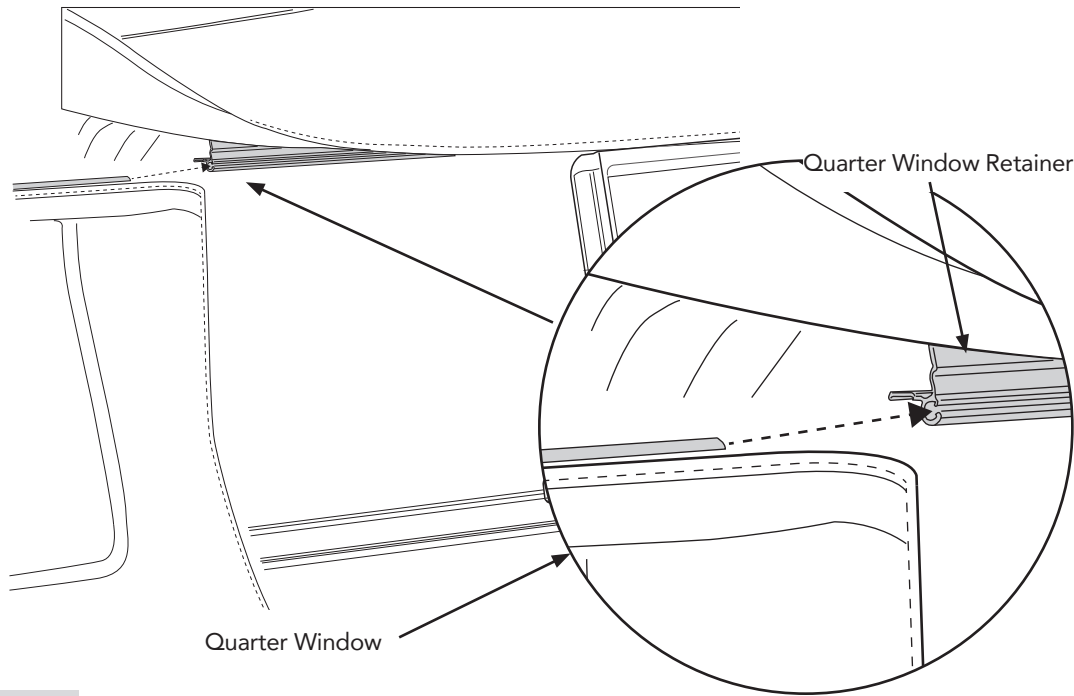
Cable Assembly

Fold Rear Corners up

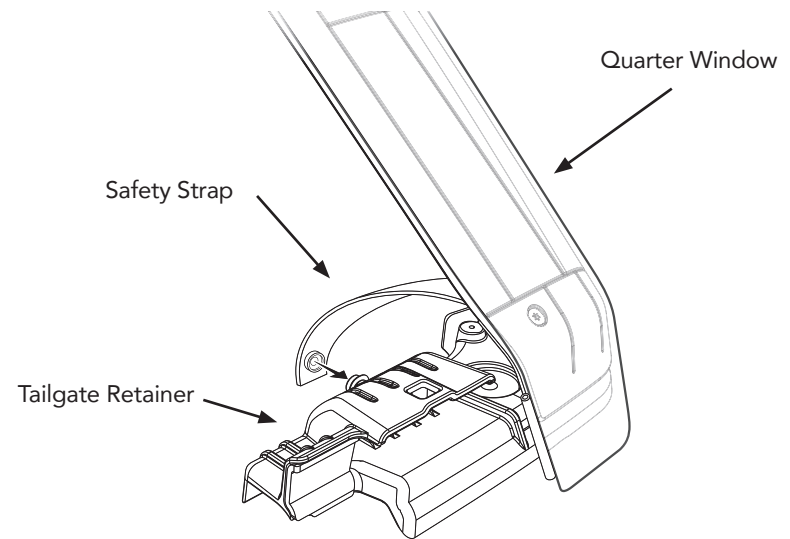


Repeat on left side.

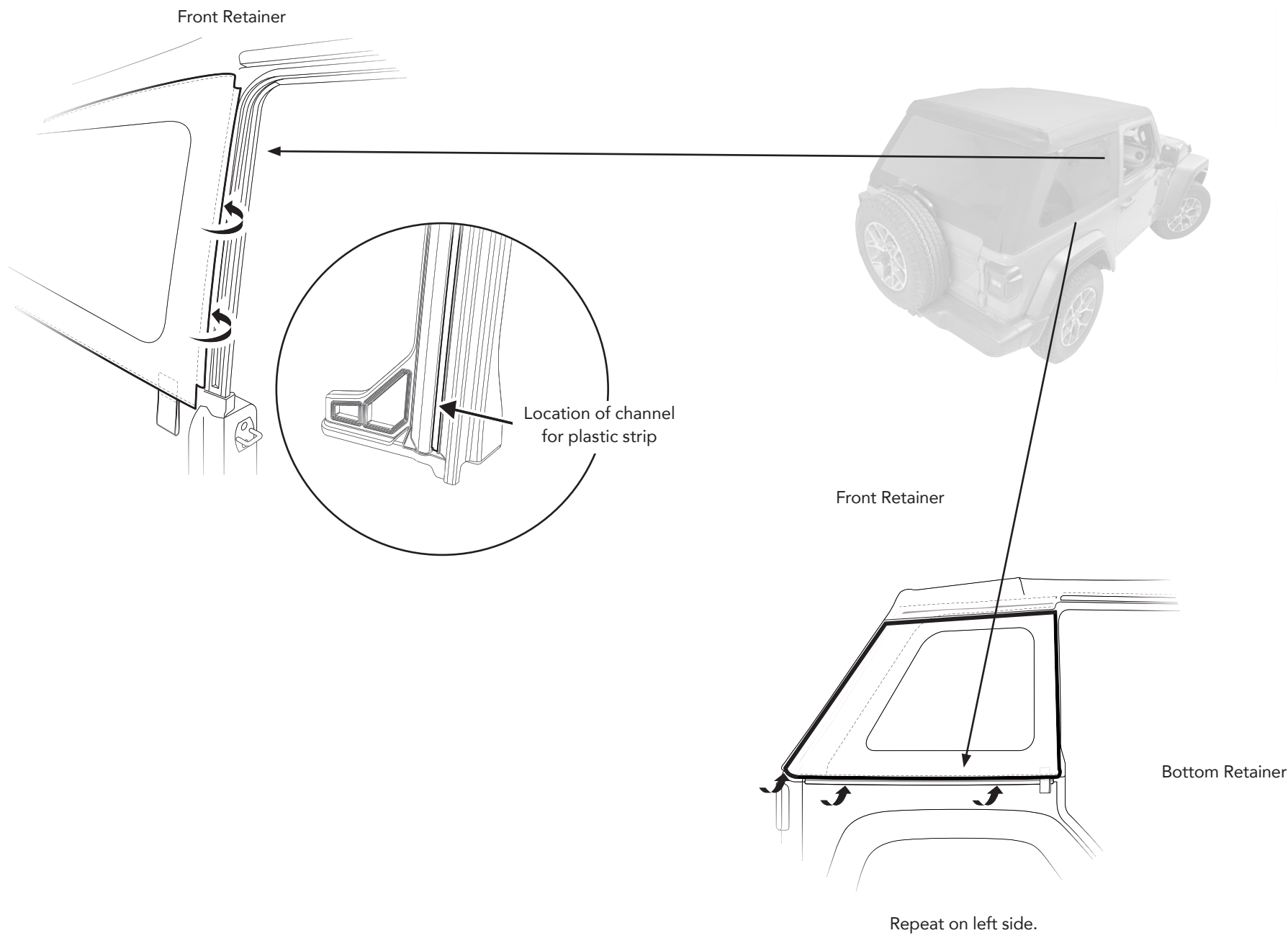


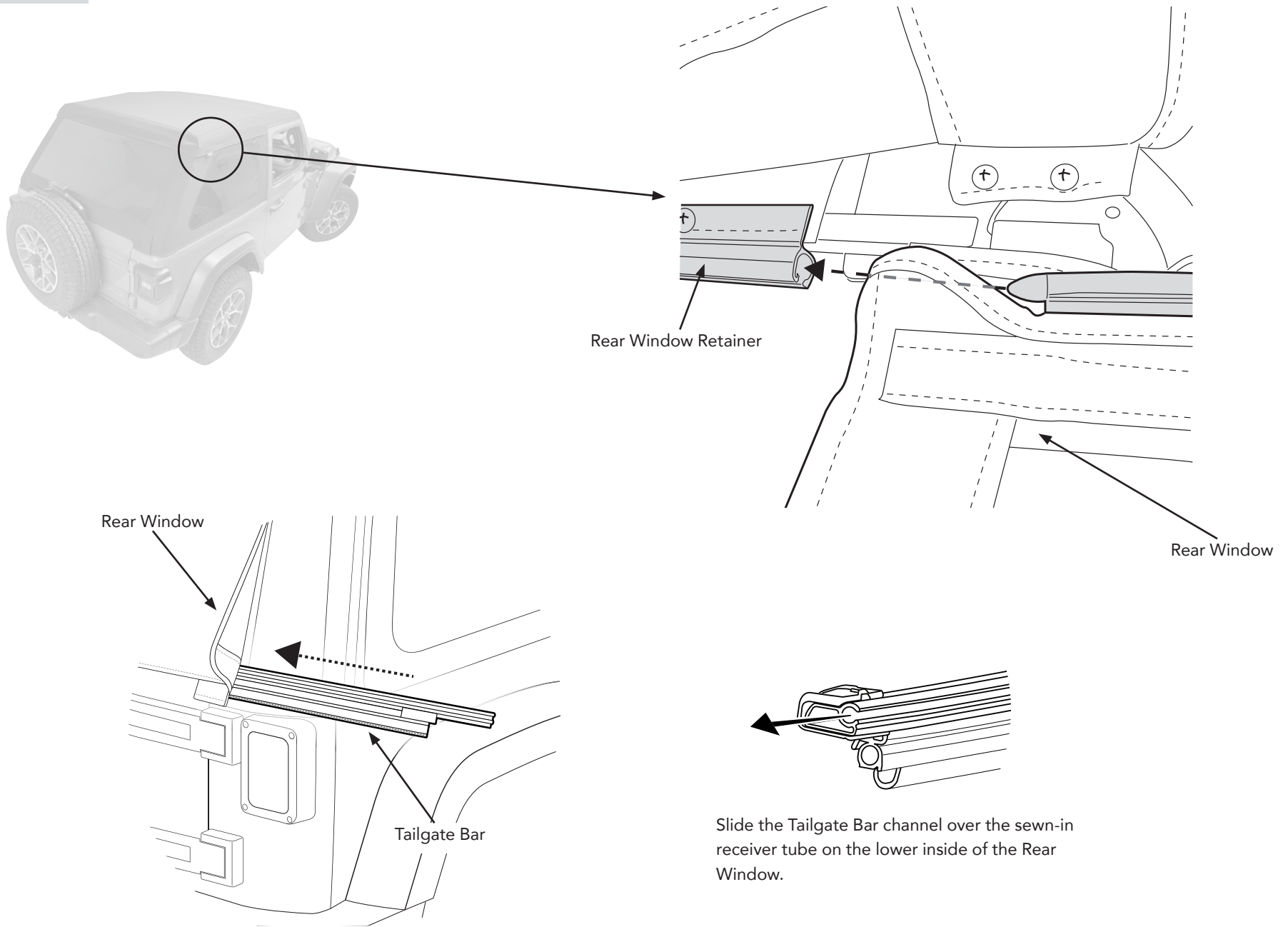


**NOTE:** It will be easier to slide the windows into the retainers if you lift the back of the window to keep the plastic window retainer (sewn on the window) parallel with the aluminium channel

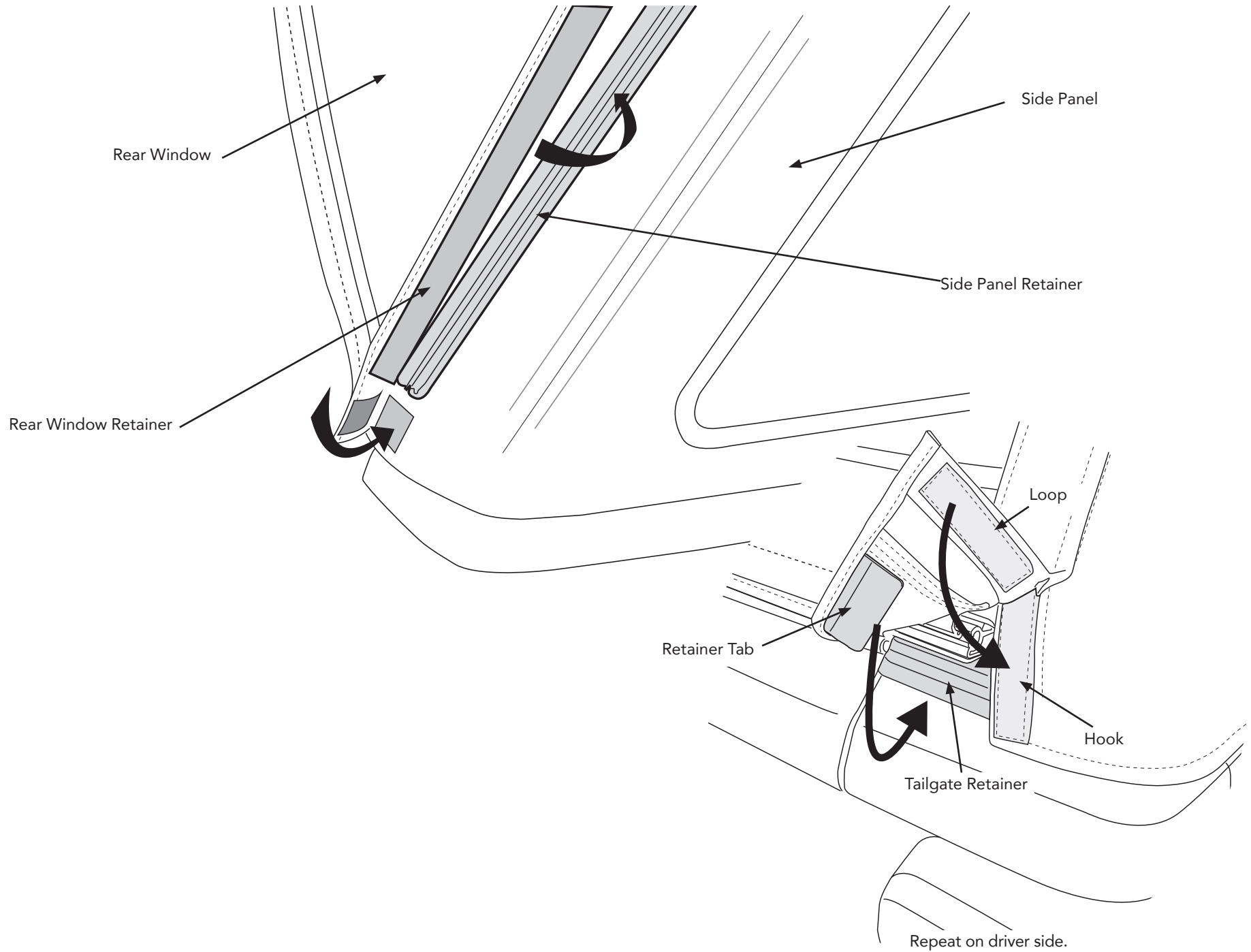


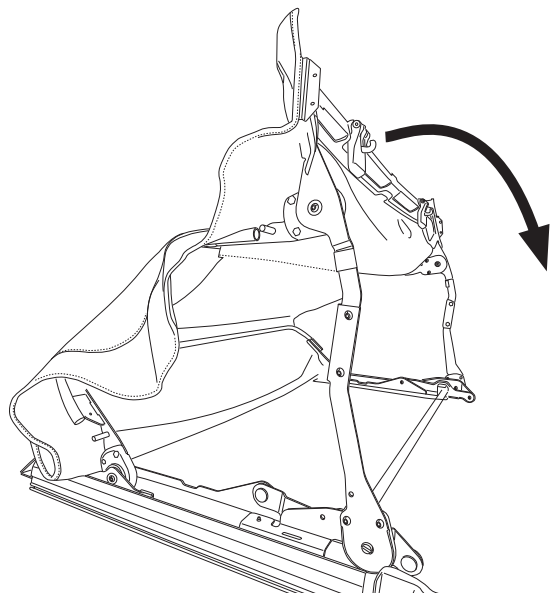
Repeat on left side.



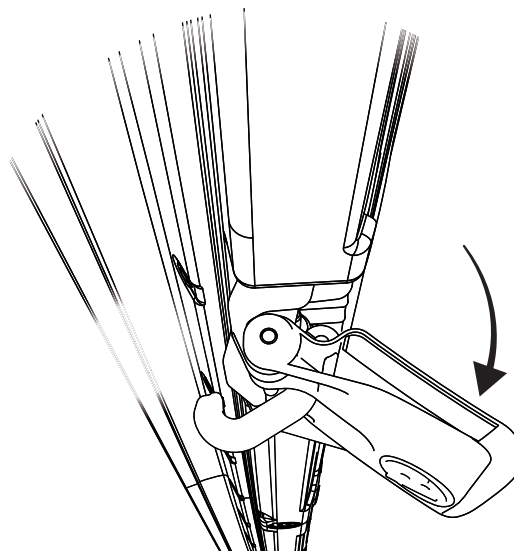






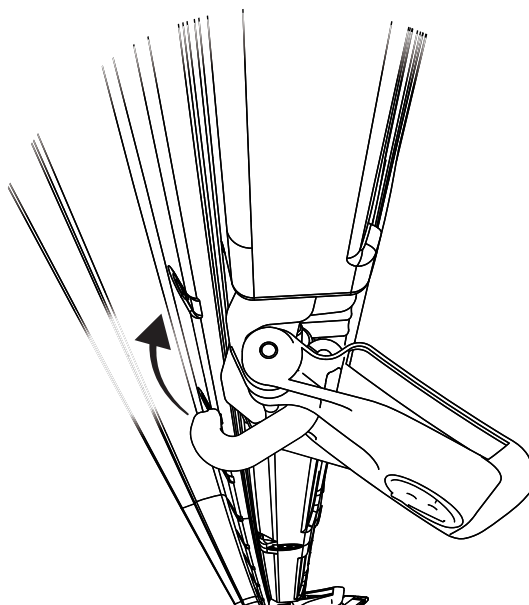


Fold The top Assembly forward //

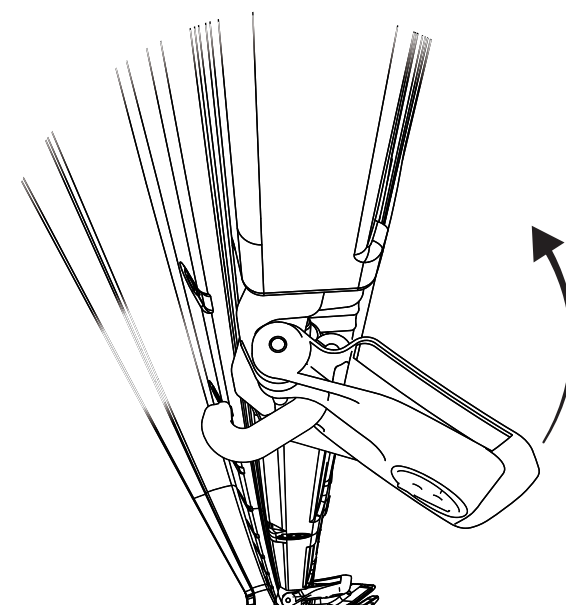


Fold the Sunrider closed and secure both latches to the vehicle's windshield header.

Pivot the latch handle down.



Engage the hook.



Pivot the latch handle back up.

## Care and Maintenance of your Bestop Product

Your Bestop product is made of the finest materials available. To keep it looking new and for the maximum possible wear, it will need periodic cleaning and maintenance.

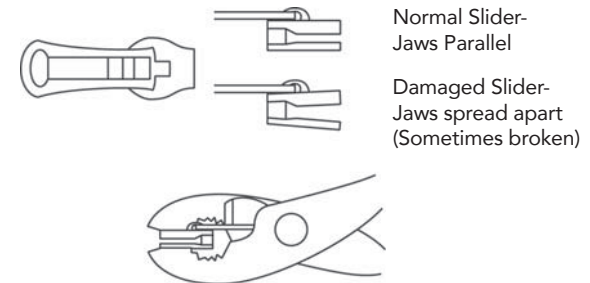
**Fabric:** The fabric should be washed often using soap, warm water and a soft bristle brush. Rinse with clear water to remove all traces of soap. Bestop recommends using Bestop Cleaner (part no. 11201-00) and Bestop Protectant (part no. 11202-00) for Vinyl fabric and Bestop Twill Protectant (part no. 11207-00) for Twill fabric. Bestop Cleaner and Bestop protectant are specially formulated to provide a total cleaning and protection system. Bestop Cleaner safely removes the toughest stains, will not harm vehicle finishes, is biodegradable and environmentally friendly. Bestop Protectant protects against UV-fading, cracking and hardening, and repels dust, grease, dirt and mildew.

**Windows:** Keep windows clean to avoid scratching. **DO NOT** use a brush on the windows! Wash with a water-soaked cloth or sponge and a mild dishwashing detergent. Bestop recommends Bestop Vinyl Window Cleaner (part no. 11203-00), which safely cleans and protects vinyl windows and helps prevent UV damage. **NEVER WIPE THE WINDOWS WHEN THEY ARE DRY.** Be careful when cleaning snow or frost from the vinyl windows since they are easily scratched and may crack at low temperatures. **DO NOT** roll the sides or rear window in cold weather. The windows become stiff and will crack. Cracks caused by misuse in cold temperatures are not covered under warranty.

**Water:** Seeping through at the seams may be stopped by applying 3-M Scotchgard® on the inside of the seams.

**Snaps:** Keep snaps cleaned and lubricated with silicone to help prevent snaps from sticking to the studs. If a snap does become stuck to a stud, use a screwdriver and **GENTLY** pry apart to prevent permanent damage to the snap or the top fabric.

**Zippers:** Keeping zippers cleaned and lubricated with Bestop's Zipper Cleaner (part no. 11206-00) will help prevent damage and keep the zippers in smooth working condition. If a zipper opens behind the slider, the slider may have been spread apart. This problem can usually be repaired by using an ordinary pair of pliers to bring the sides back into parallel. Return slider to the end of the zipper in the normal Open position. Squeeze lightly at first and test the zipper. If the zipper continues to remain open squeeze more firmly with the pliers and try the zipper again. Repeat this procedure until the zipper operates correctly.



**For Bestop Warranty Information, Please go to;**  
<https://www.bestop.com/help/warranty-information/>

