



Installation Instructions Supertop Ultra

Vehicle Application:
Jeep® JK Wrangler Unlimited 2007 - 2018
Part Number 54724

Installation Tips

Before you begin installing your new Supertop Ultra, please read all the instructions thoroughly.

For a smooth fit:

For easier installation, the top should be installed at a temperature above 72°F. Below this temperature, the fabric may contract an inch or more, making it difficult to fit the vehicle.

It is normal for the fabric to contract and wrinkle when stored in the shipping carton. Within a few days after installation, the fabric will relax and the wrinkles will disappear.

! WARNING Do not rely in any way on the components of this product to protect against injury or death in the event of an accident. Never operate the vehicle in excess of manufacturer's specifications.

Read and follow, precisely, all installation instructions provided when installing this product. Failure to do so may result in a poor fit and could place occupants of the vehicle in a potentially dangerous situation.

! CAUTION Safety glasses should be worn at all times when installing this product.

WEAR SEAT BELTS AT ALL TIMES



Tools			
Safety Glasses	Ratchet	8mm - 10mm - 13mm Sockets	- OR - 8mm - 10mm - 13mm Wrenches
Step Ladder	3mm - 4mm - 5mm Allen Wrenches	Phillips Screwdriver	T25 - T30 - T40 Torx Drivers
Utility Knife	Vise Grips	GLUE Super Glue	

Installation Time
4 hours

Skill Level
<div style="display: flex; justify-content: space-around; align-items: center;"> 1 2 3 4 </div> <p>3 - Moderately Difficult</p>

Support
<p>We're here to help! Go to: https://www.bestop.com and click on Need Help?</p>
<p>https://www.bestop.com/video-library</p>



Sugerencias de Instalación

Antes de empezar a instalar esta unidad, lea atentamente todas las instrucciones.

Para un buen ajuste:

Para facilitar la instalación, el producto debe instalarse a temperaturas superiores a 72 °F (22 °C).

Por debajo de esta temperatura, la tela puede encogerse una pulgada o más, lo que dificultaría su ajuste al vehículo.

Es normal que la tela se contraiga o arrugue cuando está guardada en la caja de empaque. A los pocos días después de la instalación, la tela se relajará y las arrugas desaparecerán.



ADVERTENCIA

Este producto se diseñó principalmente para mejorar la apariencia del vehículo y proteger a los ocupantes de las condiciones climáticas comunes. De ninguna manera piense que los componentes de este producto pueden servir como medio de contención para los ocupantes del vehículo o que pueden protegerlos contra lesiones o la muerte en caso de accidente. Este producto no protegerá a los ocupantes contra caídas de objetos. Nunca conduzca este vehículo fuera de las especificaciones del fabricante.

USE LOS CINTURONES DE SEGURIDAD EN TODO MOMENTO

Lea y siga con precisión todas las instrucciones de instalación que se proporcionan para instalar este producto. Si no lo hace, podría producirse un mal ajuste que colocaría a los ocupantes del vehículo en una situación potencialmente peligrosa.



PRECAUCIÓN

Debe usar gafas protectoras en todo momento durante la instalación de este producto.

Conseils pour l'installation

Lire toutes les instructions au complet avant de commencer l'installation de cet assemblage.

Pour un ajustement sans problème :

Afin de faciliter l'installation, ce produit doit être installé à des températures au-dessus de 72 °F (22 °C).

Sous cette température, le tissu peut rétrécir d'un pouce (2,5 cm) ou plus, ce qui rendra l'ajustement sur le véhicule difficile.

Il est normal que le tissu rétrécisse et plisse pendant qu'il est dans la boîte d'expédition. En quelques jours après l'installation, le tissu se détendra et les plis disparaîtront.



AVERTISSEMENT

Ce produit est conçu principalement pour améliorer l'apparence du véhicule et pour protéger les occupants des conditions météorologiques usuelles. Ne jamais se fier aux composants de ce produit pour se protéger de blessures ou de la mort en cas d'accident. Ce produit ne protégera pas les occupants des chutes d'objets. Ne jamais utiliser le véhicule au-delà des caractéristiques techniques indiquées par le fabricant.

PORTER UNE CEINTURE DE SÉCURITÉ EN TOUT TEMPS

Lire et suivre, très fidèlement, toutes les instructions d'installation fournies lors de l'installation de ce produit. Ne pas suivre cette consigne peut causer une installation inadéquate et mettre les occupants du véhicule dans une situation potentiellement dangereuse.



MISE EN GARDE

Des lunettes de sécurité doivent être portées en tout temps lors de l'installation de ce produit.

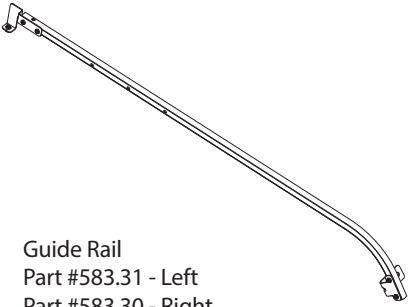
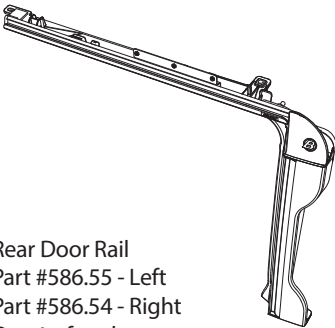
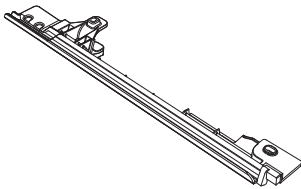
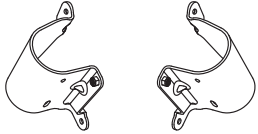
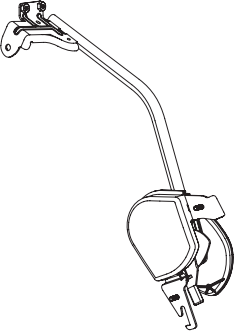
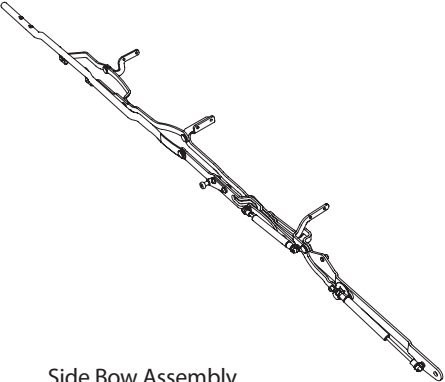
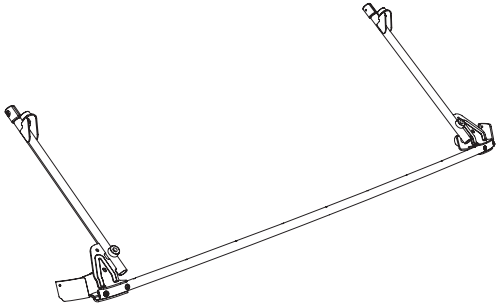
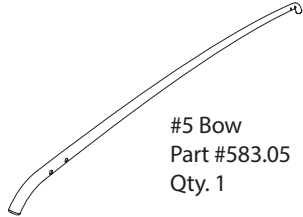
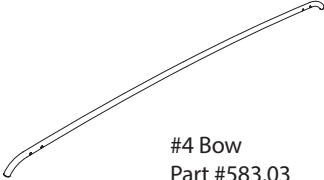


Installation Instructions Supertop Ultra

Vehicle Application:
Jeep® JK Wrangler Unlimited 2007 - 2018
Part Number 54724

Parts List

- Required parts for installation - Page number in Installation Guide

Sections 1 to 3		Guide Rails, Front & Rear Door Rails, Outer Brackets		Pages 6 to 8 of Guide
 <p>Guide Rail Part #583.31 - Left Part #583.30 - Right Qty. 1 of each</p>	 <p>Rear Door Rail Part #586.55 - Left Part #586.54 - Right Qty. 1 of each</p>	 <p>Front Door Rail Part #586.11 - Left Part #586.10 - Right Qty. 1 of each</p>	 <p>Outer Bracket Part #587.97 - Left Part #587.96 - Right Qty. 1 of each</p>	
Sections 4 to 7		Lift Assist, Side Bows, #6 Bow, #5 Bow, #4 Bow		Pages 9 to 12 of Guide
 <p>Lift Assist Assembly Part #583.27 - Left Part #583.26 - Right Qty. 1 of each</p>	 <p>Side Bow Assembly Part #582.97 - Left Part #582.96 - Right Qty. 1 of each</p>	 <p>#6 Bow Assembly Part #583.22 Qty. 1</p>	 <p>#5 Bow Part #583.05 Qty. 1</p>  <p>#4 Bow Part #583.03 Qty. 1</p>	

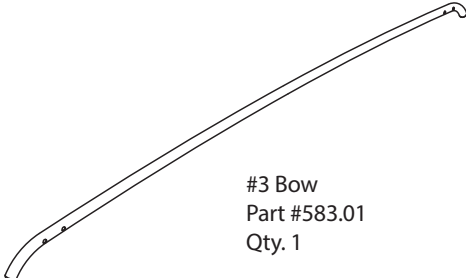
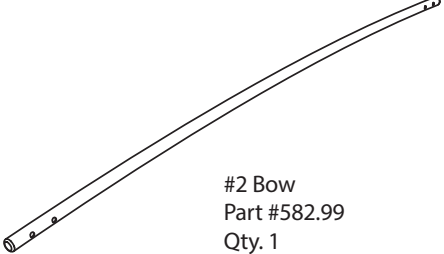
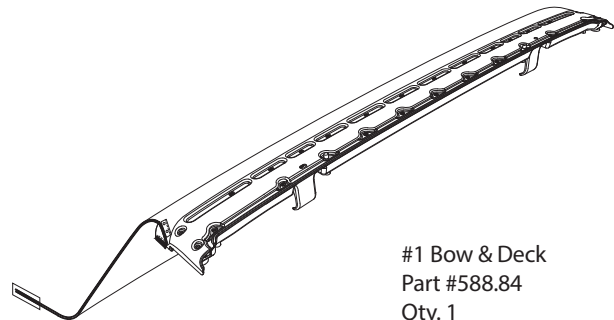

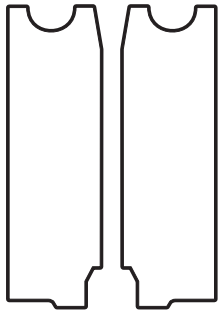
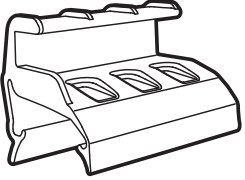
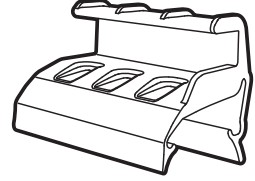
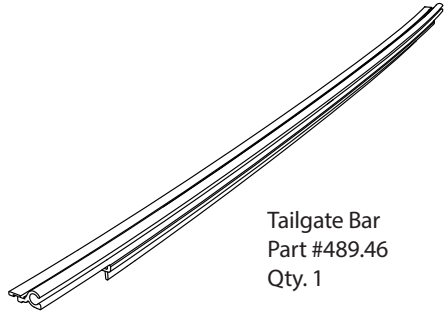


Installation Instructions Supertop Ultra

Vehicle Application:
Jeep® JK Wrangler Unlimited 2007 - 2018
Part Number 54724

Parts List

- Required parts for installation - Page number in Installation Guide

Sections 7 to 9		#3 Bow, #2 Bow, Grommet, #1 Bow		Pages 12 to 14 of Guide			
 <p>#3 Bow Part #583.01 Qty. 1</p>		 <p>#2 Bow Part #582.99 Qty. 1</p>		 <p>#1 Bow & Deck Part #588.84 Qty. 1</p>			
Sections 12 to 19		Foam Strips, Foam Seals, Tailgate Bar Retainers, Tailgate Bar		Pages 17 to 25 of Guide			
 <p>Foam Strips Part #417.43 Qty. 2</p>		 <p>Foam Seals Part #457.76 (right) Part # 457.77 (left) Qty. 1 of each</p>		 <p>Tailgate Bar Retainer Part #539.57 - Left Qty. 1 of each</p>		 <p>Tailgate Bar Retainer Part #539.56 - Right Qty. 1</p>	
				 <p>Tailgate Bar Part #489.46 Qty. 1</p>			



Installation Instructions Supertop Ultra

Vehicle Application:
Jeep® JK Wrangler Unlimited 2007 - 2018
Part Number 54724

Parts List

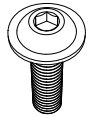
- Required parts for installation - Page number in Installation Guide

All Sections

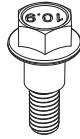
Small Parts Kit

Multiple Pages

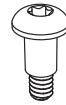
Parts Kit #583.62



M8 x 1.25 x 30mm
Flanged Allen Screw
Part #583.63
Qty. 2



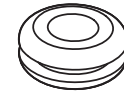
M8 Shoulder Screw
Part #586.72
Qty. 2



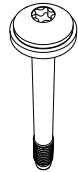
T25 Torx
Shoulder Screw
Part #308.65
Qty. 2



Flanged Bow
Mount Torx Screw
Part #308.64
Qty. 4



Grommet
Part #543.75
Qty. 2



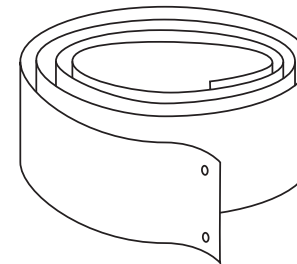
M8 x 1.25 x 80mm
Torx Screw/Washer
Part #532.23
Qty. 4



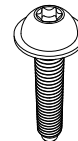
Thick Plastic Bushing
Part #570.42
Qty. 2



Sheet Metal
Screw
Part #393.79
Qty. 25



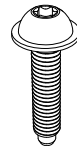
Stay Strap
Part #589.46
Qty. 2



M6 x 1.0 x 30
Flanged Torx Screw
Part #533.19
Qty. 4



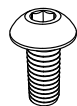
Thin Plastic Bushing
Part #532.78
Qty. 2



M6 x 1.0 x 25
Flanged Torx Screw
Part #535.23
Qty. 12



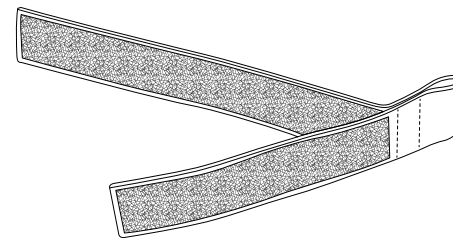
M6 Flanged Nut
Part #591.47
Qty. 4



M5 x 0.8 x 12
Button Head Allen Screw
Part #531.49
Qty. 8

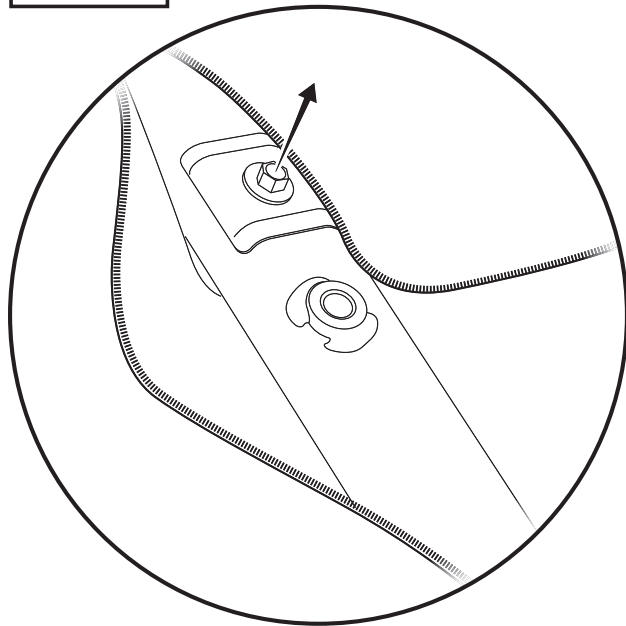


M6 x 20mm Screw
M6 X 1.0 X 20
Flanged Button
Head
#533.84
Qty 4



Lift Assist Tie-Down Strap
Part #590.76
Qty. 2

Step 1

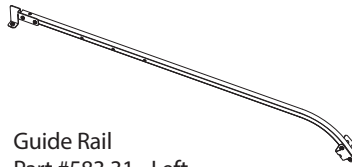


Step 1

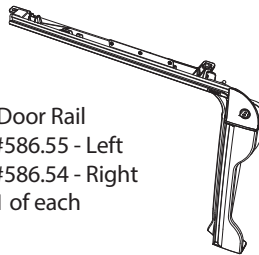
Unzip the sport bar cover on the rear sport bar downtubes.

Using a 13mm wrench, remove the bolts at the top corner of each downtube.

Hardware



Guide Rail
Part #583.31 - Left
Part #583.30 - Right
Qty. 1 of each



Rear Door Rail
Part #586.55 - Left
Part #586.54 - Right
Qty. 1 of each



M5 x 0.8 x 12
Button Head Allen Screw
Part #531.49
Qty. 8

Tools



4mm
Allen Wrench



13mm Wrench

Step 2

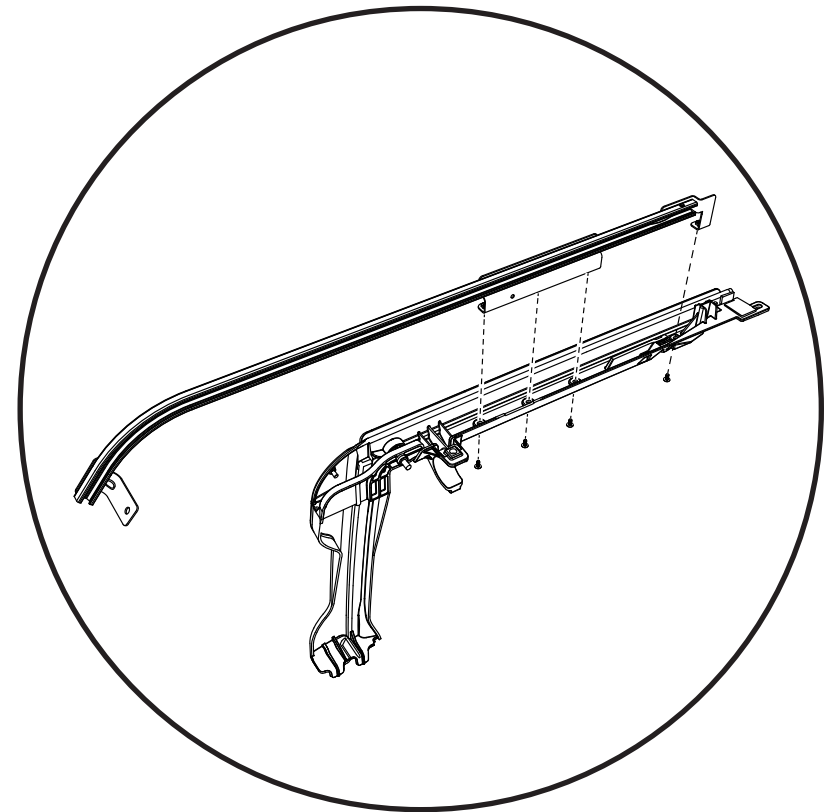
583.31

583.30

586.55

531.49

586.54



Step 2

Attach the Guide Rails to the Rear Door Rails.

Secure the Left Guide Rail #583.31 to the Left Rear Door Rail #586.55, using four (4) M5 x 0.8 x 12mm screws #531.49.

Screws will come up from underside of Door Rail.

Open side of Guide Rail will face the inside of the Door Rail.

Repeat on right side.

Step 1

586.10

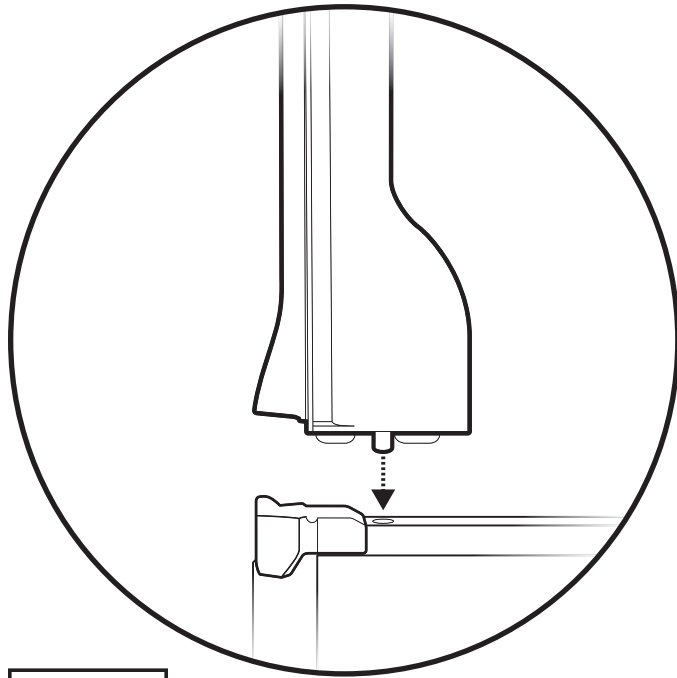
586.11

Hardware

Step 2

583.63

532.23

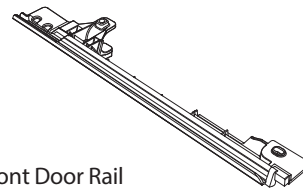


Step 1

Attach the Left Rear Door Rail assembly (with attached Guide Rail) to the Jeep belt rail behind the right rear door, inserting the alignment pin on the bottom of the Door Rail Assembly into the hole in the top of the belt rail.

Place the Left Front Door Rail #586.11 on the Jeep Sport Bar, overlapping the flange at the front of the Rear Door Rail.

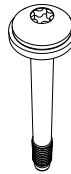
Repeat Step 1 with the Right Door Rail assembly.



Front Door Rail
Part #586.11 - Left
Part #586.10 - Right
Qty. 1 of each



M8x1.25x30mm
Flanged Allen Screw
Part #583.63
Qty. 2



M8x1.25x80mm
Torx Screw/Washer
Part #532.23
Qty. 4

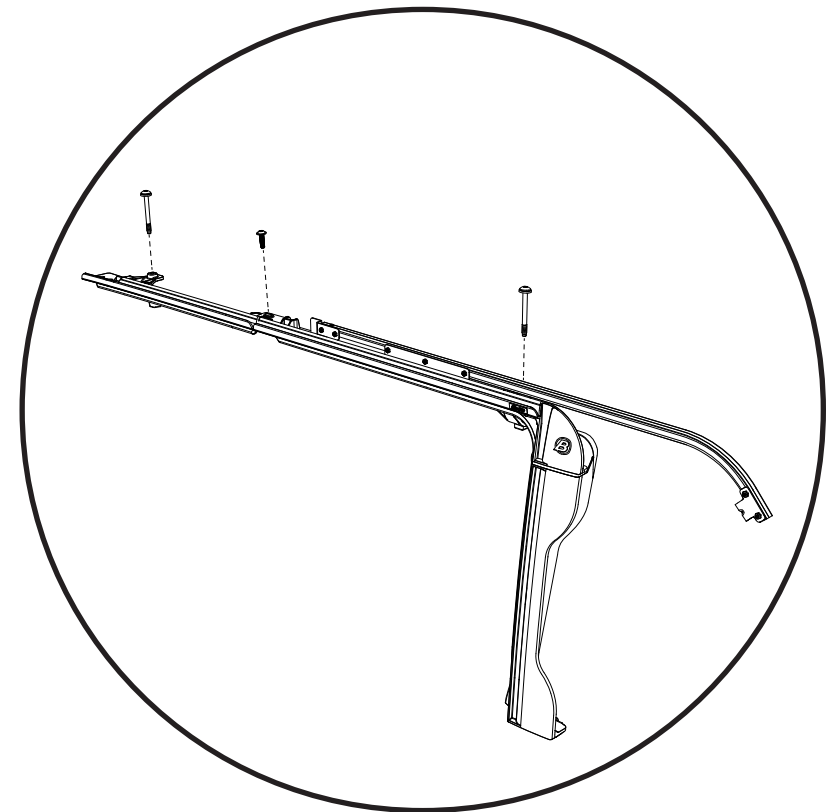
Tools



T40 Torx Driver



5mm
Allen Wrench



Step 2

Secure the left Front and Rear Door Rails to the Jeep Sport Bar using two (2) M8 x 1.25 x 80mm Torx Screws #532.23 at the front and rear, and one (1) M8 x 1.25 x 30mm Allen Screw #583.63 in the middle.

Repeat with the Right Door Rail assembly.

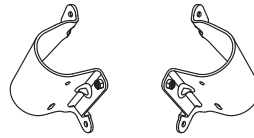
Step 1

587.96

587.97

308.64

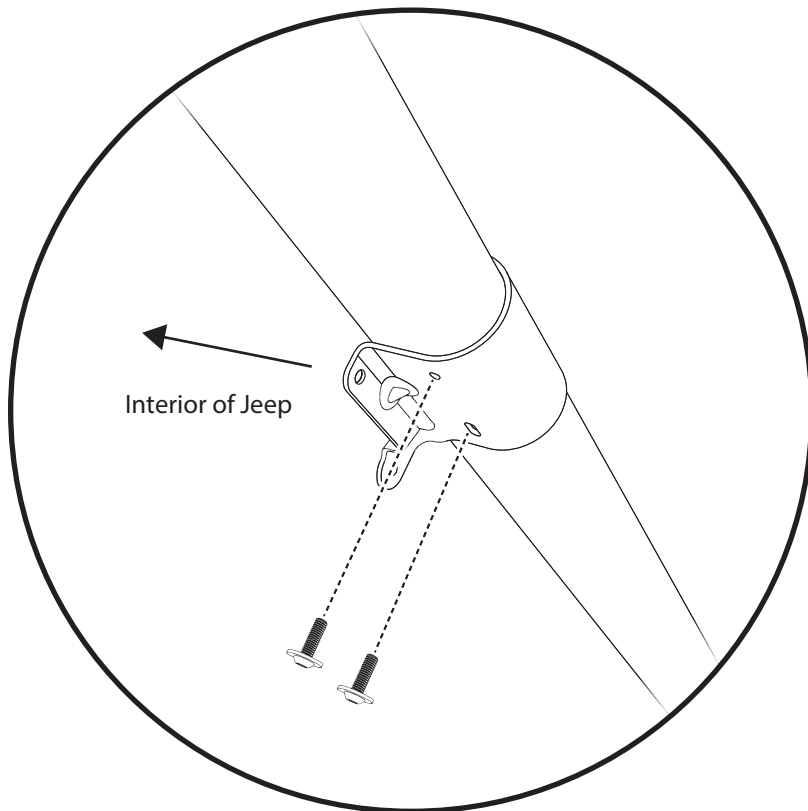
Hardware



Outer Bracket
Part #587.97 - Left
Part #587.96 - Right
Qty. 1 of each



Flanged Bow
Mount Torx Screw
Part #308.64
Qty. 4



Step 1

Attach the Outer Brackets #587.97 (left) and #587.96 (right) to the sport bar downtubes.

Secure Brackets to downtubes using two (2) Flanged Bow-Mount Torx Screws #308.64 per Bracket.

Holes in Brackets align with holes on the underside of sport bar downtubes. Round holes are higher.

Open side of each Bracket faces interior of Jeep.

Tools



T30 Torx Driver

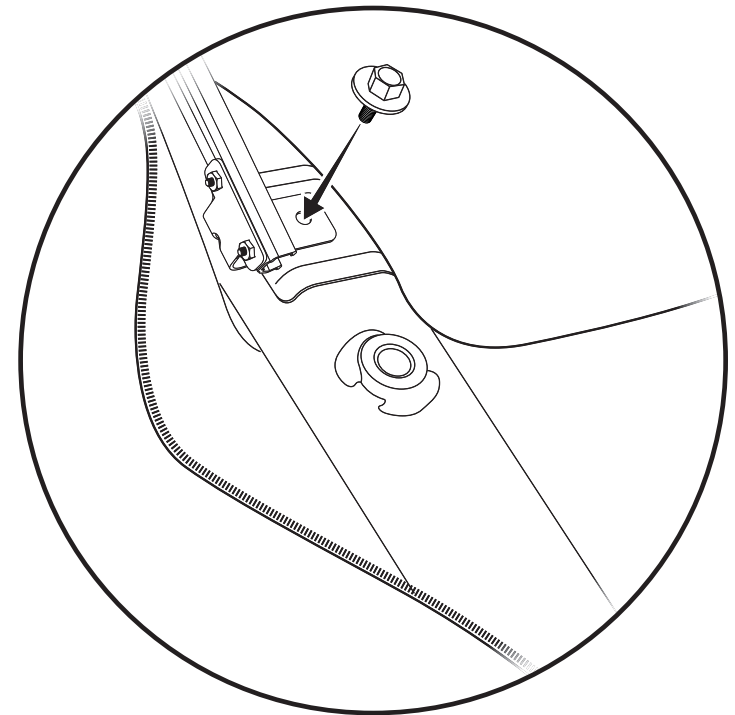


13mm Wrench



Utility Knife

Step 2



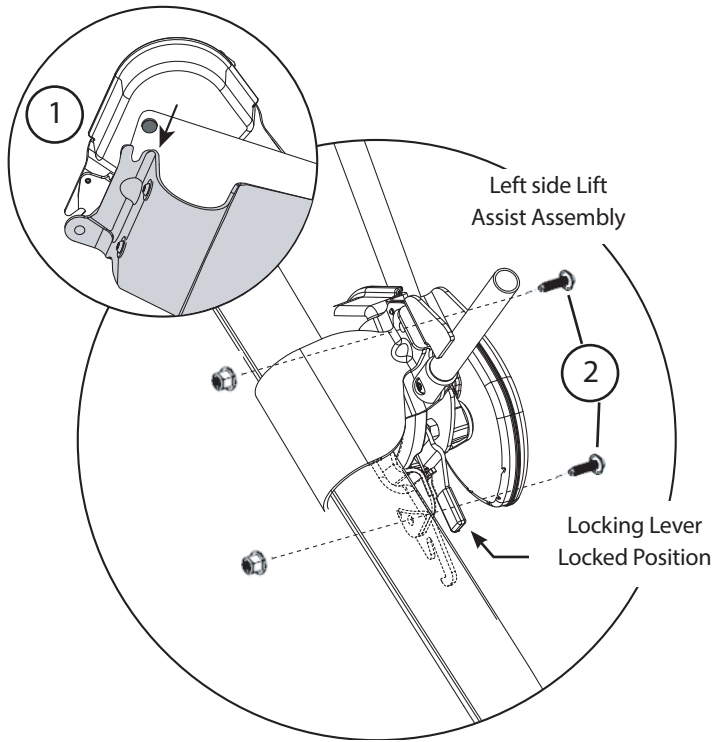
Step 2

Cut a slit about 1" long in the sport bar cover on each side for the Guide Rail bracket tab to protrude through when the cover is zipped closed.

Slip the bracket tab through the slit in the cover. Replace the bolt you removed in Section 1, secure the end of the Guide Rail to the sport bar, and zip the cover closed.

Step 1	583.27	583.26	591.47	590.76	533.84
--------	--------	--------	--------	--------	--------

Step 2	583.22	308.65
--------	--------	--------



Step 1

Attach the left Lift Assist Assembly #583.27 to the left side Outer Bracket. ① Be sure to insert pin from lift assist assembly into slot on bracket ② using two (2) M6 Bolts #533.84 and two (2) Flanged nuts #591.47. Repeat on the right side, using the Right Lift Assist Assembly #583.26.

Make sure that the lift arm on each Lift Assist is pointing up, toward the top of the sport bar downtube, and that the yellow Locking Lever is in the down and locked position.

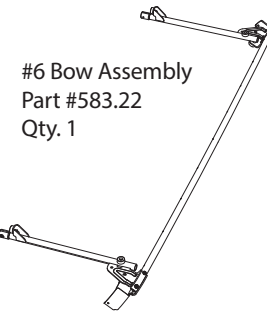
Attach the Lift Assist Tie-Down Straps #590.76 to the hooked tabs at the bottom of each lift assist assembly.

WARNING: Tighten the M6 Flanged Nuts #591.47

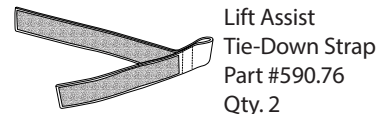
Hardware



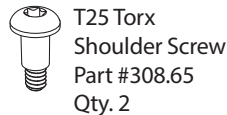
Lift Assist Assembly
Part #583.27 - Left
Part #583.26 - Right
Qty. 1 of each



#6 Bow Assembly
Part #583.22
Qty. 1



Lift Assist Tie-Down Strap
Part #590.76
Qty. 2



T25 Torx Shoulder Screw
Part #308.65
Qty. 2



M6 Flanged Nut
Part #591.47
Qty. 4



M6 x 20mm Screw
M6 X 1.0 X 20
Flanged Button Head
#533.84
Qty 4

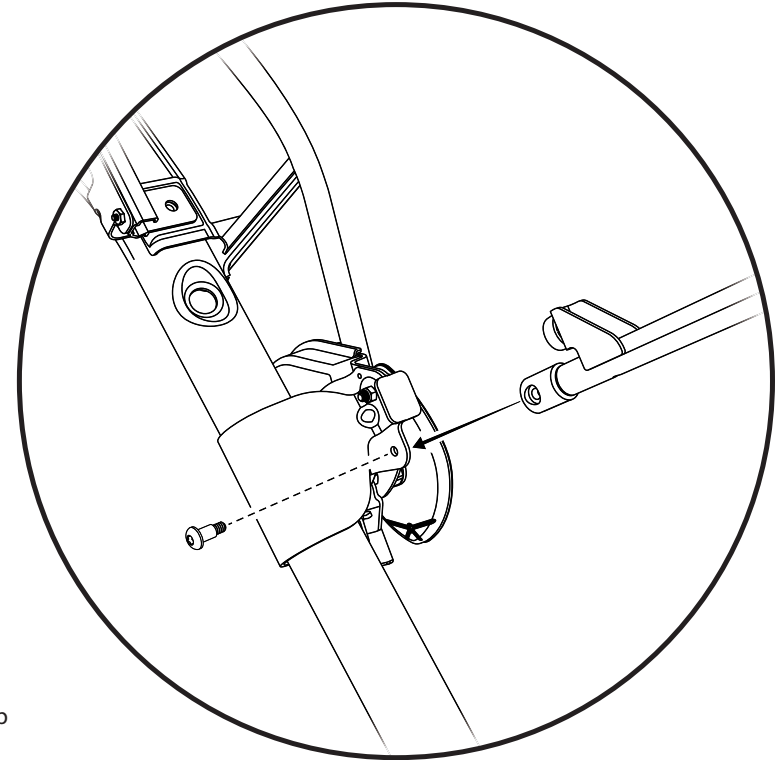
Tools



T25 Torx Driver



10mm Wrench



Step 2

Attach the #6 Bow #583.22 to the Outer Brackets.

Slide the slotted attachment knuckle at the end of each #6 Bow arm over the flange on the top of each Outer Bracket, and secure with one (1) T25 Torx Shoulder Screw #308.65 per side.

Step 1

582.97

582.96

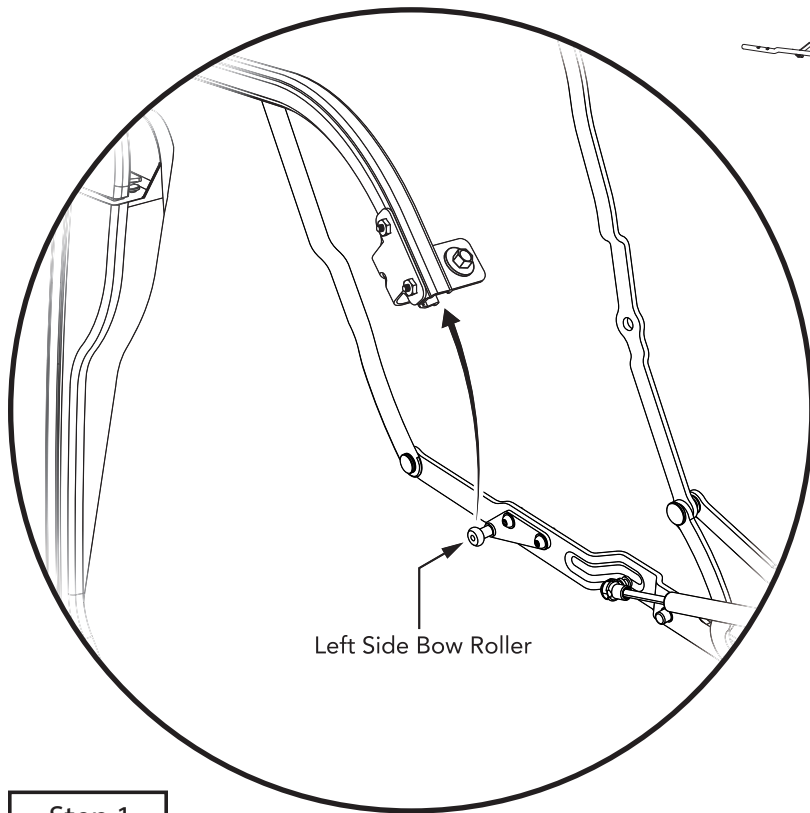
Hardware

Step 2

586.72

570.42

532.78



Side Bow Assembly
Part #582.97 - Left
Part #582.96 - Right
Qty. 1 of each



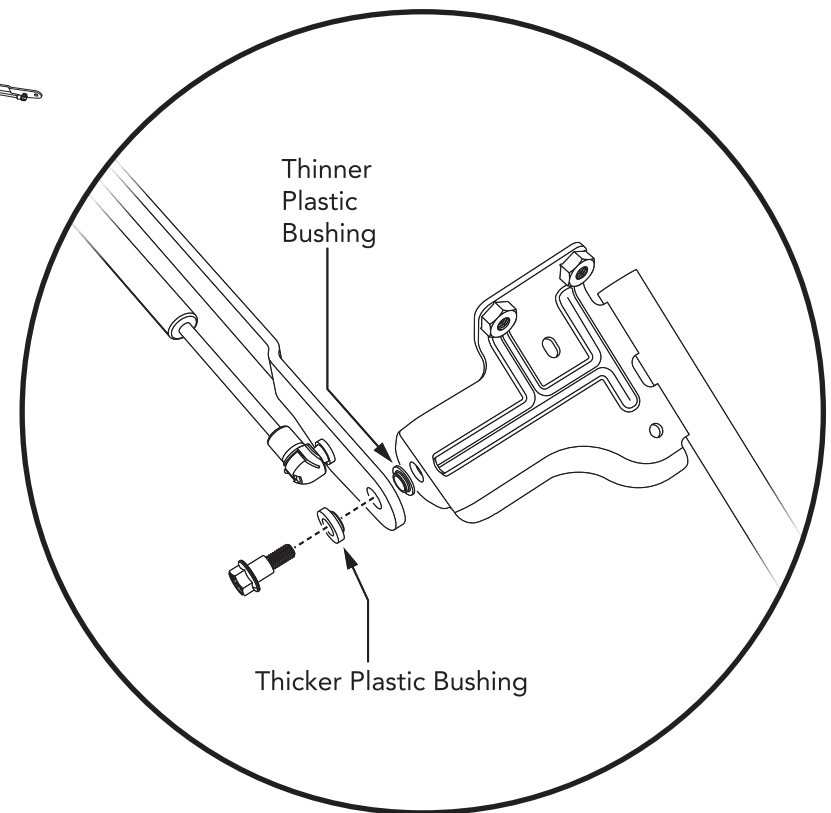
M8 Shoulder Screw
Part #586.72
Qty. 2



Thick Plastic Bushing
Part #570.42
Qty. 2



Thin Plastic Bushing
Part #532.78
Qty. 2



Step 2

Attach the pivot point at the rear of each Side Bow Assembly to the bent tab at the top of each Lift Assist Mechanism.

Secure using one (1) Shoulder Screw #586.72, one Thick Plastic Bushing #570.42, and one Thin Plastic Bushing #532.78.

The Thick Plastic Bushing goes to the outside.
Left side shown. Repeat on right side.

Step 1

Slide Side Bow rollers into Guide Rails.

Slide the left Side Bow Assembly #582.97 roller into the back open end of the Guide Rail, where it attaches to the sport bar.

The Side Bow Assembly will have the strut at the rear, and the three tabs facing the interior of the Jeep.

Slide the Side Bow Assembly forward until the rear pivot point aligns with the attachment point on the top flange of the Lift Assist Mechanism.

Repeat on the right side, with the Right Side Bow Assembly #582.96.

Tools



10mm Wrench

Step 1

583.05

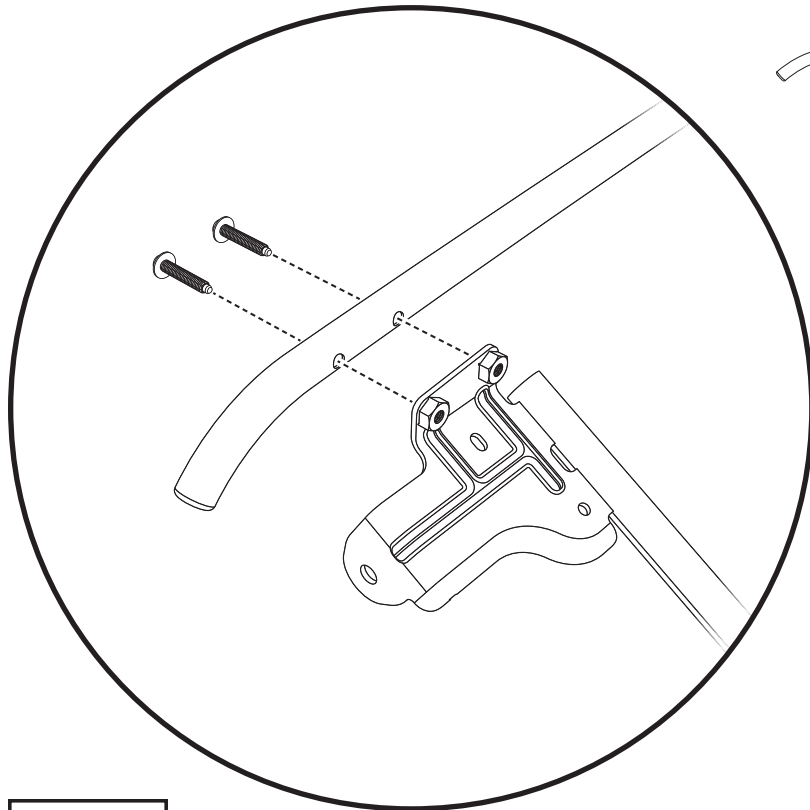
533.19

Hardware

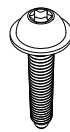
Step 2

589.46

393.79



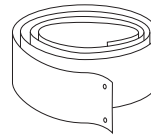
#5 Bow
Part #583.05
Qty. 1



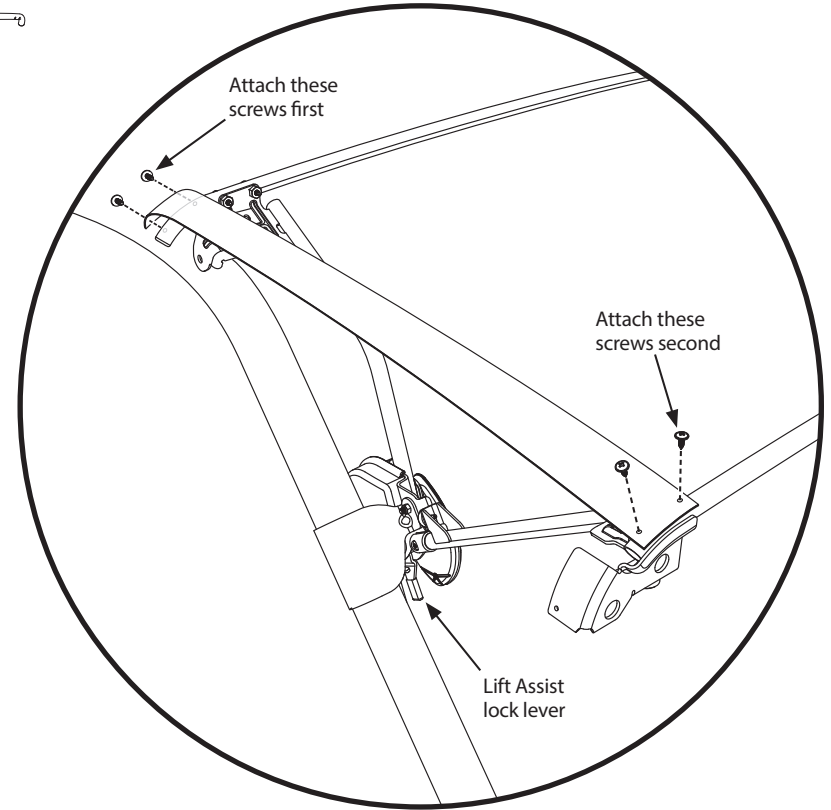
M6x1.0x30
Flanged Torx Screw
Part #533.19
Qty. 4



Sheet Metal
Screw
Part #393.79
Qty. 8



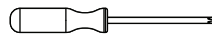
Stay Strap
Part #589.46
Qty. 2



Step 1

Attach the #5 Bow #583.05 to the tabs on the top of the Lift Assist Mechanism, using two (2) M6x1.0x30 Flanged Torx Screws #533.19 per side.

Tools



Phillips Screwdriver



T25 Torx Driver

Step 2

Attach the Stay Straps #589.46 to the #5 and #6 Bows, using four (4) Sheet Metal Screws #393.79 for each Bow.

Lift the #6 Bow up for easier attachment.

Placing the screws into the pre-punched holes in the Stay Strap will make attachment to the Bows easier.

NOTE: You may need to release the Lift Assist lock mechanism (lift the yellow levers) to pull the #5 Bow back and release tension during the installation of the Stay Strap. Be sure to move the Lift Assist lock levers back to Locked position after attaching Stay Straps.

Step 1

583.03

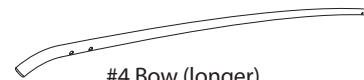
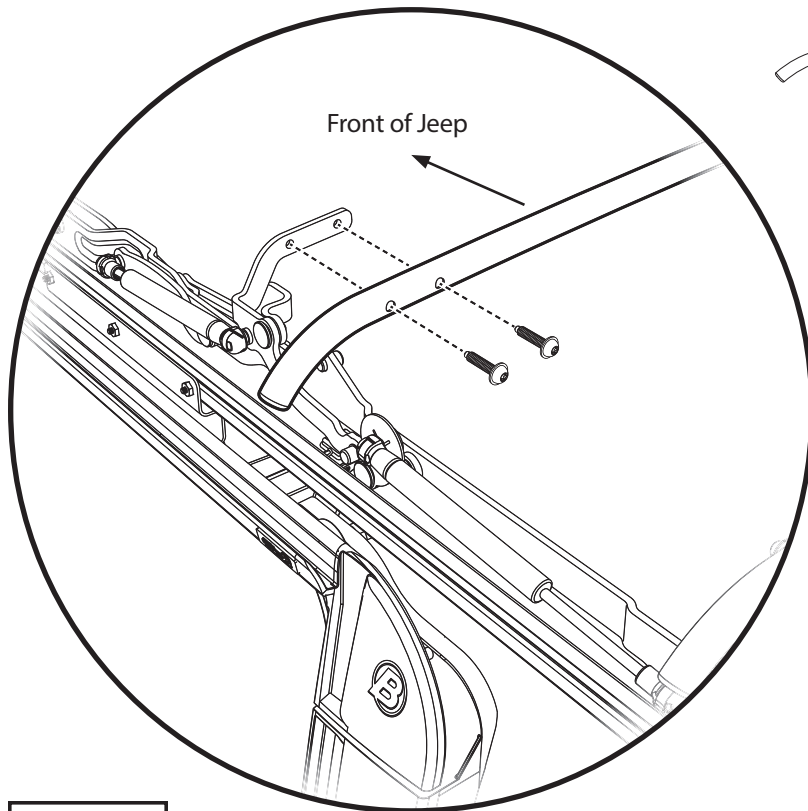
535.23

Hardware

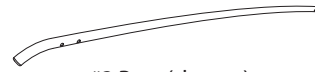
Step 2

583.01

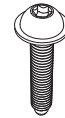
535.23



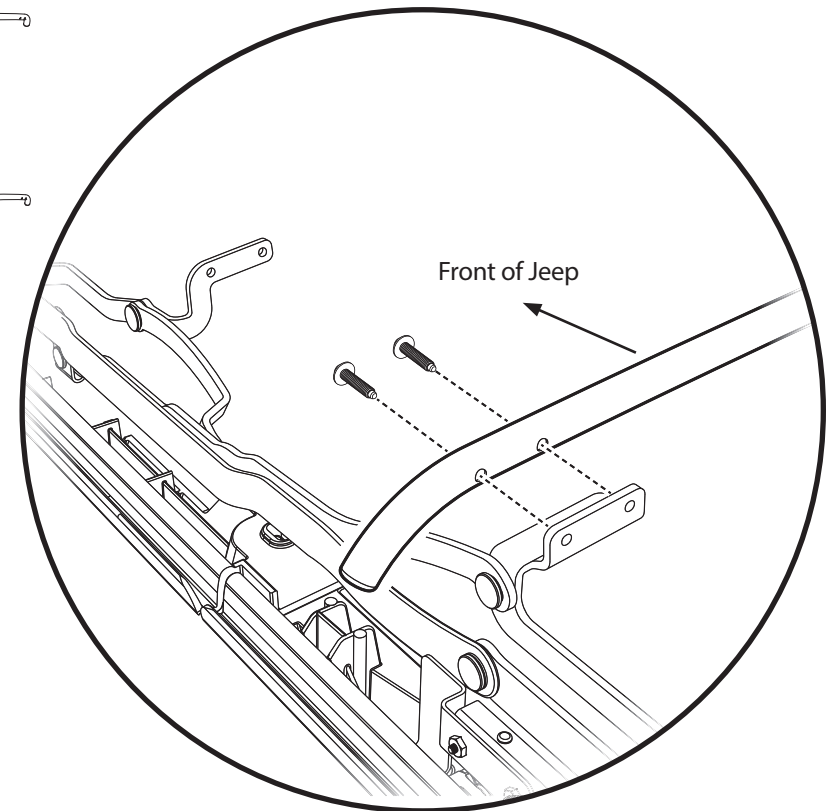
#4 Bow (longer)
Part #583.03
Qty. 1



#3 Bow (shorter)
Part #583.01
Qty. 1



M6 x 1.0 x 25
Flanged Torx Screw
Part #535.23
Qty. 8



Step 1

Attach the #4 Bow #583.03 to the tabs on the Side Bow Assembly (just above the Rear Door Rails), using two (2) M6 x 1.0 x 25 Flanged Torx Screw #535.23 per side.

Note that the #4 Bow is attached to the rear-facing side of the tabs.

Tools



T25 Torx Driver

Step 2

Attach the #3 Bow #583.01 to the tabs on the Side Bow Assembly (just above the where the Front Door Rails join the Rear Door Rails), using two (2) M6 x 1.0 x 25 Flanged Torx Screw #535.23 per side.

Note that the #3 Bow is located on the forward-facing side of the tabs.

Step 1

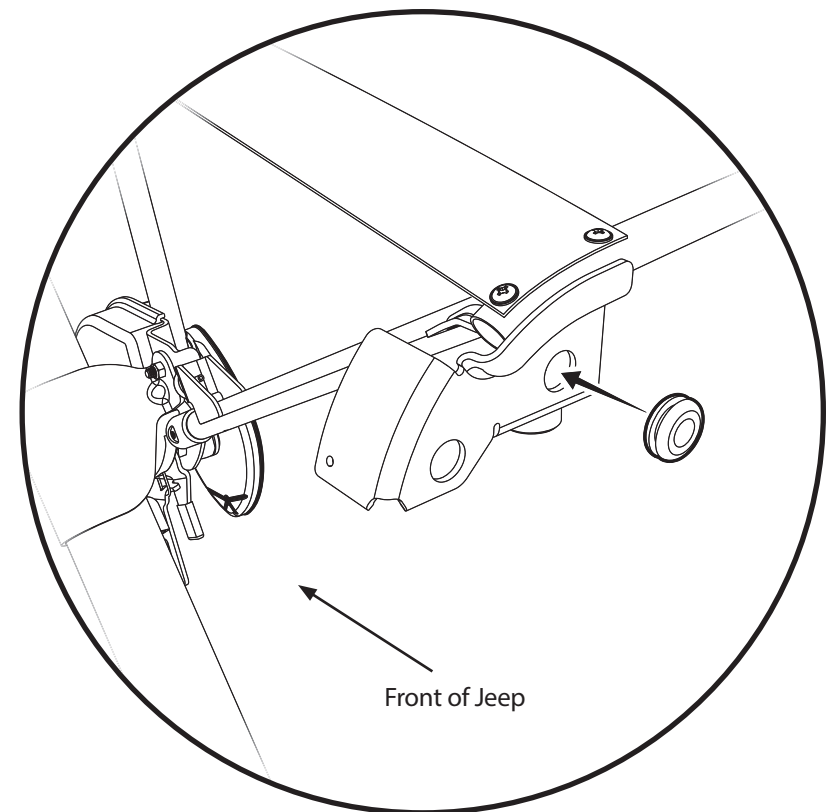
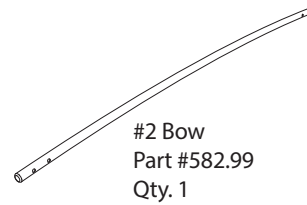
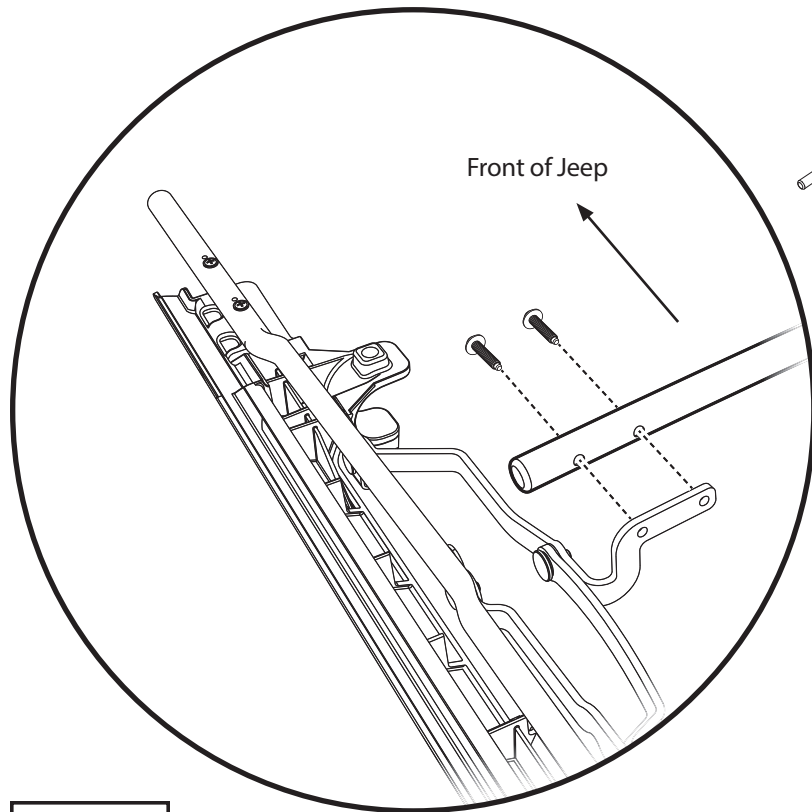
582.99

535.23

Hardware

Step 2

543.75



Step 1

Attach the #2 Bow #582.99 to the tabs on the Side Bow Assembly, using two (2) T25 Torx Screws #535.23 per side.

Note that the #2 Bow attaches to the forward-facing side of the tabs.

Tools



T25 Torx Driver



Super Glue

Step 2

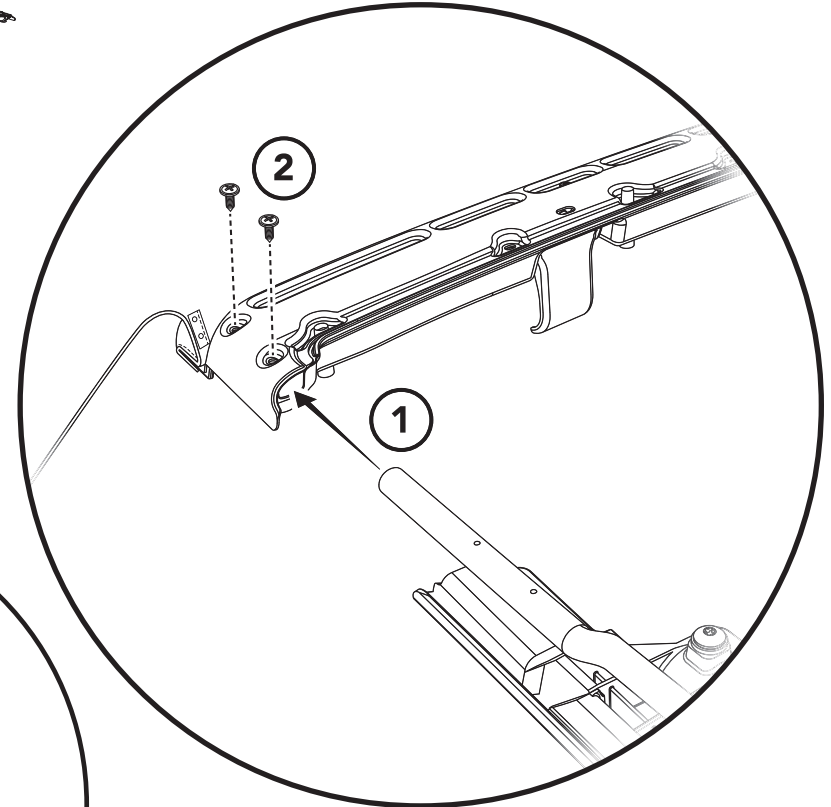
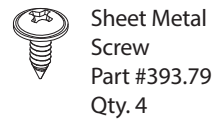
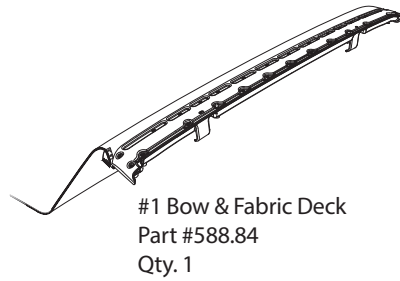
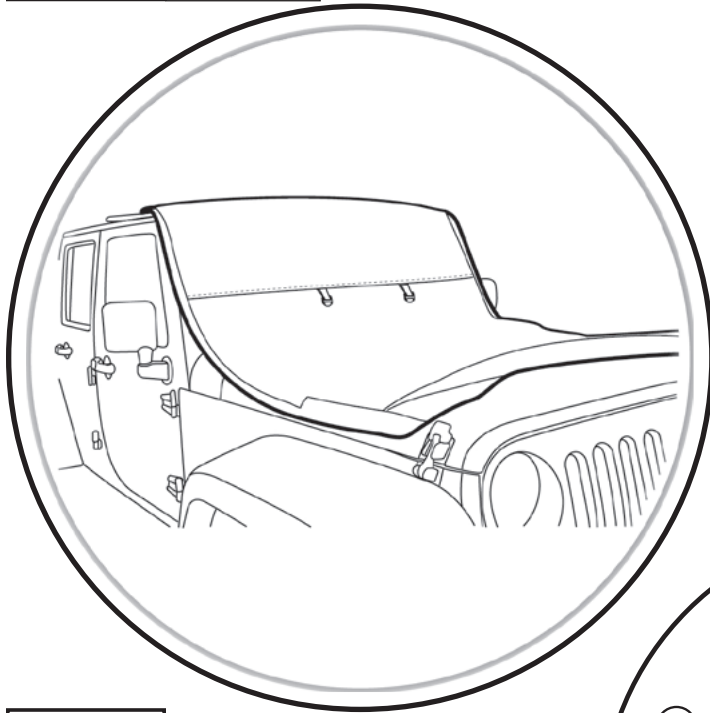
Install the Grommets #543.75 into the inboard holes in the rear-facing flanges at the ends of the #6 Bow.

NOTE: Grommets must be bonded in place with super glue or similar adhesive.

Step 1 588.84

Hardware

Step 3 393.79



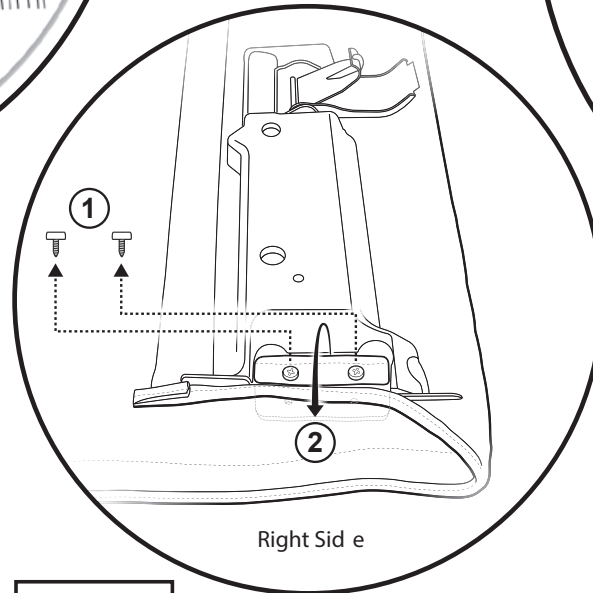
Step 1

Place the #1 Bow #588.84 - which is attached to the underside of the Fabric Deck - on top of the windshield header.

Lay the top fabric across the Jeep hood, with the underside facing up.

Step 2

On the underside of the #1 Bow, remove the two screws on each side that hold down the cable tabs, and fold each tab back.



Step 2

Tools



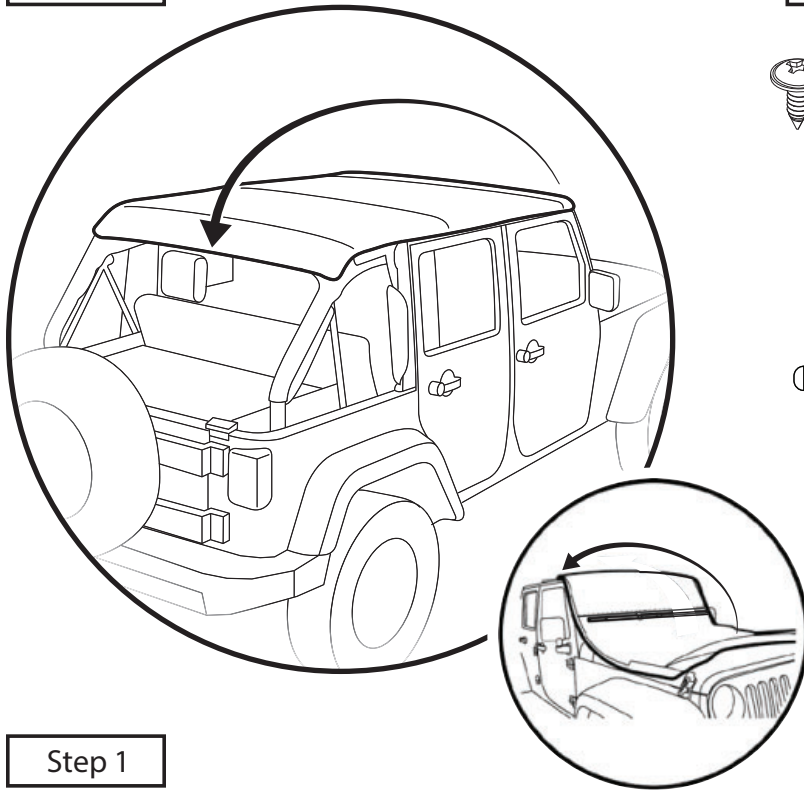
Step 3

Slide the Side Bow Assembly forward, so that the tubes at the front of each Side Bow Assembly insert into the holes in the #1 Bow.

Align the holes in the #1 Bow with the holes on the top of each Side Bow Tube, and secure using two (2) Sheet Metal Screw #393.79 per side.

Do not fully tighten these fasteners until you have completed Section 10, Step 2 on the following page.

Step 1



Step 1

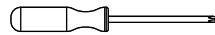
Pull the Top Fabric back across the top of the Jeep and all the installed Bows.

Hardware



Sheet Metal
Screw
Part #393.79
Qty. 4

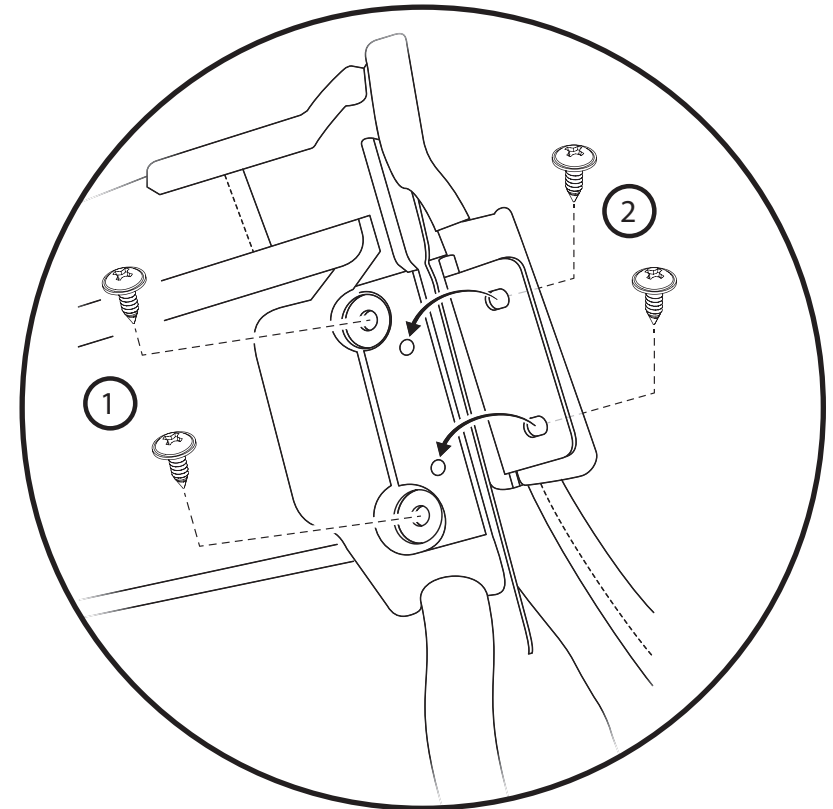
Tools



Phillips Screwdriver

Step 2

393.79



Step 2

Lift the front of the #1 Bow/Header and fabric to about 45°.

① Secure the underside of the #1 Bow/Header to the underside of the inserted tubing with two (2) #393.79 Sheet Metal Screws on each side. Do not completely tighten these screws.

② Re-attach the cable tabs at the ends of the cables that run along the sides of the top fabric to the underside of the #1 Bow/Header using the two (2) sheet metal screws on each side that you removed in Section 9, step 2, on the previous page.

Now tighten all screws, including those in Section 9 on the previous page.

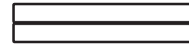
Step 1

417.43

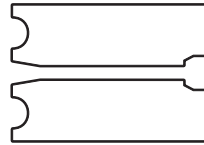
457.76

457.77

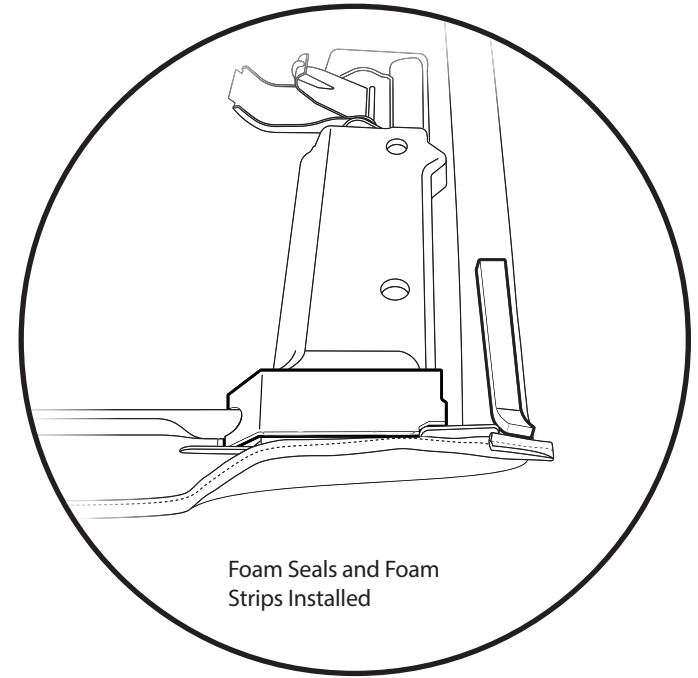
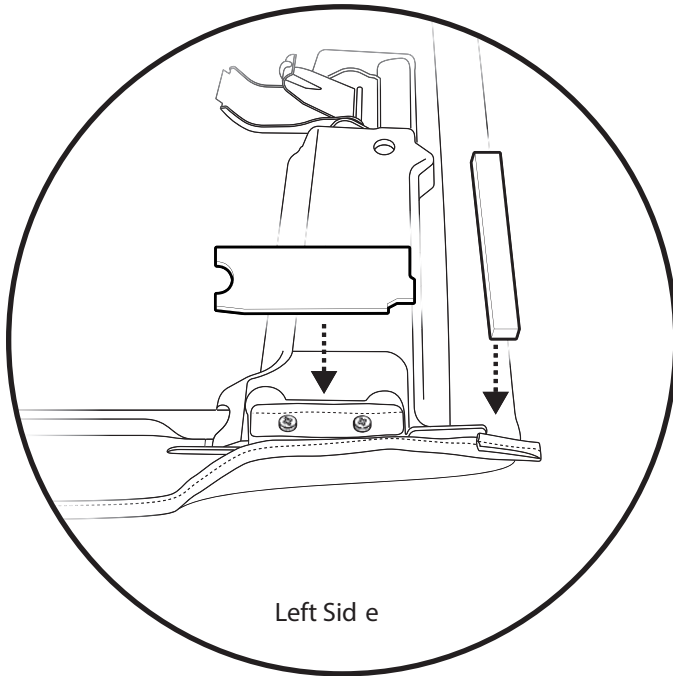
Hardware



Foam Strips
Part #417.43
Qty. 2



Foam Seals
Part #457.76 (right)
Part # 457.77 (left)
Qty. 1 of each



Step 1

With the front portion of the top folded back, locate the two (2) Foam Seals #457.76 and #457.77, and the two (2) Foam Strips #417.43.

Remove the protective liner from the back side of the Foam Seal and place the Foam Seal in the location shown in the diagram.

Remove the protective liner from the back side of each Foam Strip and place the Foam Strip in the location shown in the diagram.

Repeat on both sides of the Jeep.

Step 1

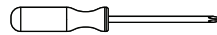
393.79

Hardware

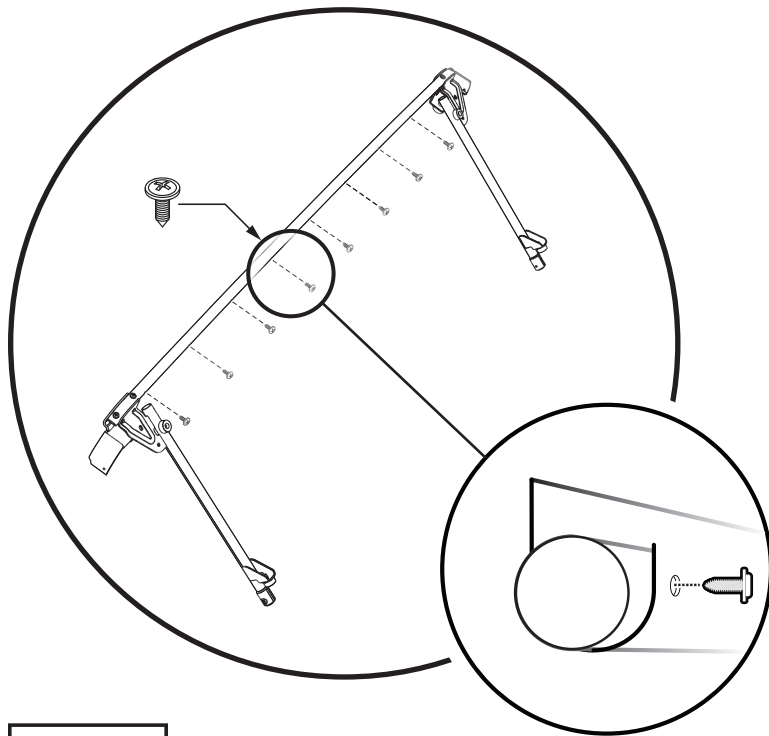


Sheet Metal
Screw
Part #393.79
Qty. 9

Tools



Phillips Screwdriver



Step 1

Attach the fabric flap at the rear underside of the top to the #6 Bow, using nine (9) Sheet Metal Screws #393.79.

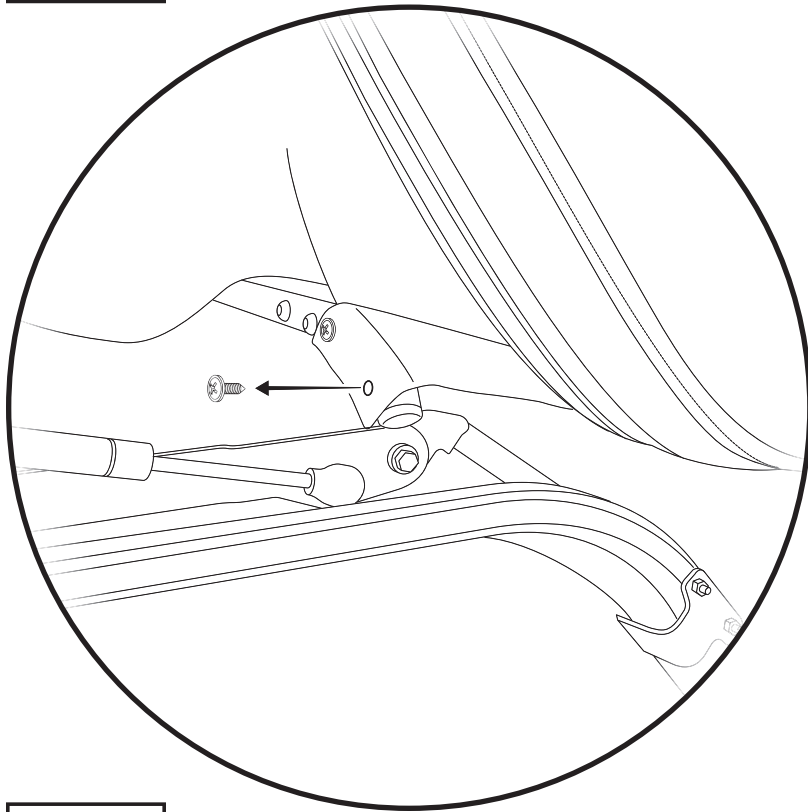
Wrap the fabric flap around the #6 Bow from back-to-front.

For easier installation, insert the Screws into the pre-punched holes in the flap before attaching to the #6 Bow.

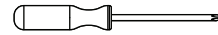
Attach the middle screw first, and work outward from there on each side.

NOTE: Do not attach the window flap to the #6 Bow.

Step 1

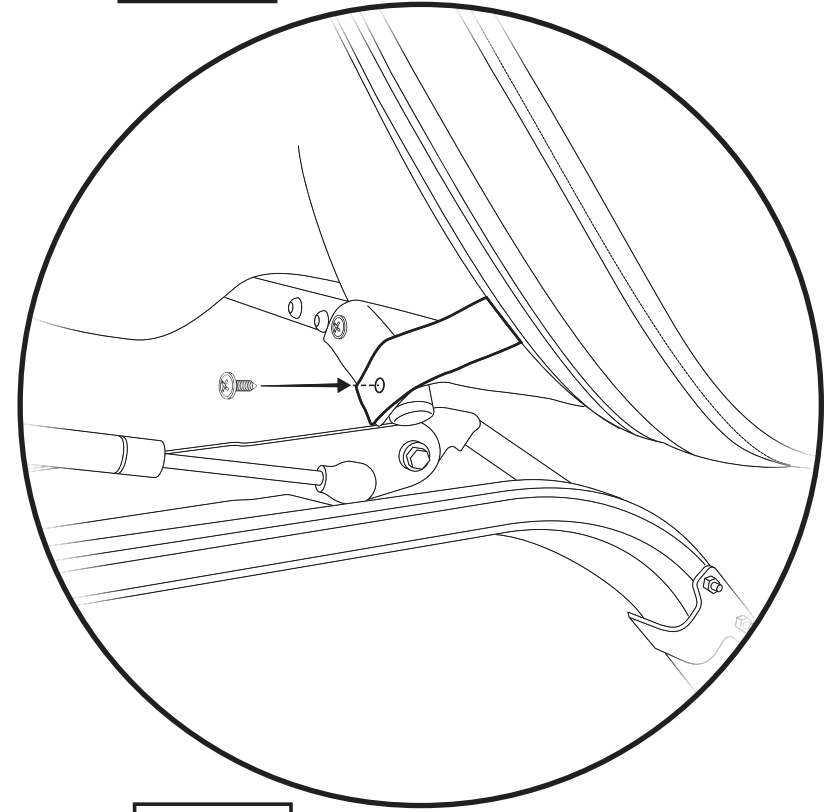


Tools



Phillips Screwdriver

Step 2



Step 1

Remove the outboard screws that attach the Stay Strap to the #5 Bow.

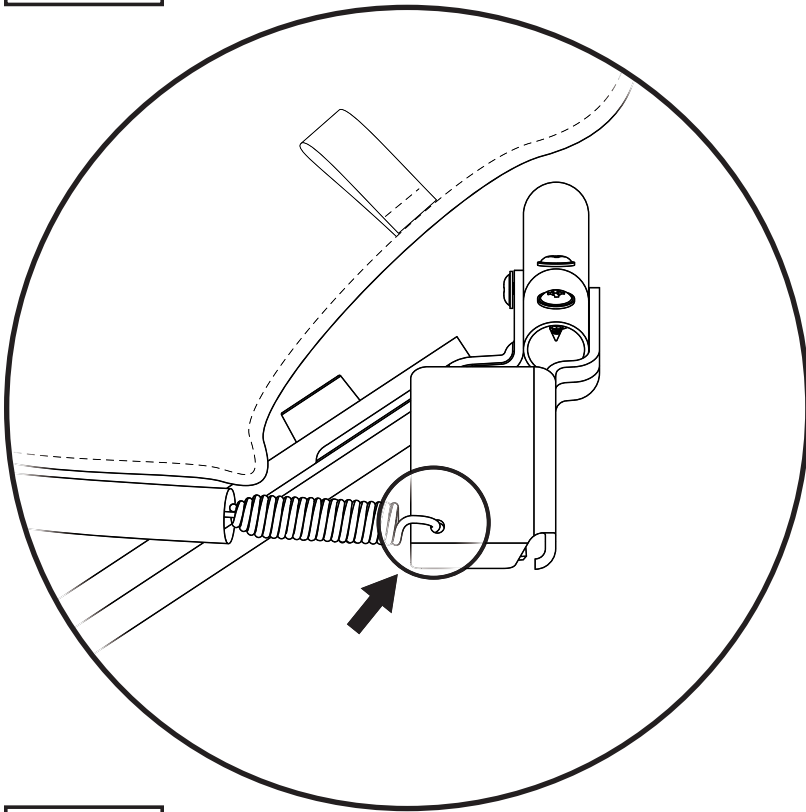
Repeat on both sides of the Jeep.

Step 2

Attach the strap that hangs from the underside of the top at this location to the #5 Bow using the screw you removed in Step 1.

Repeat on both sides of the Jeep.

Step 1

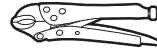


Step 1

Locate the Cable Spring where it exits the underside of the top near the #6 Bow on each side.

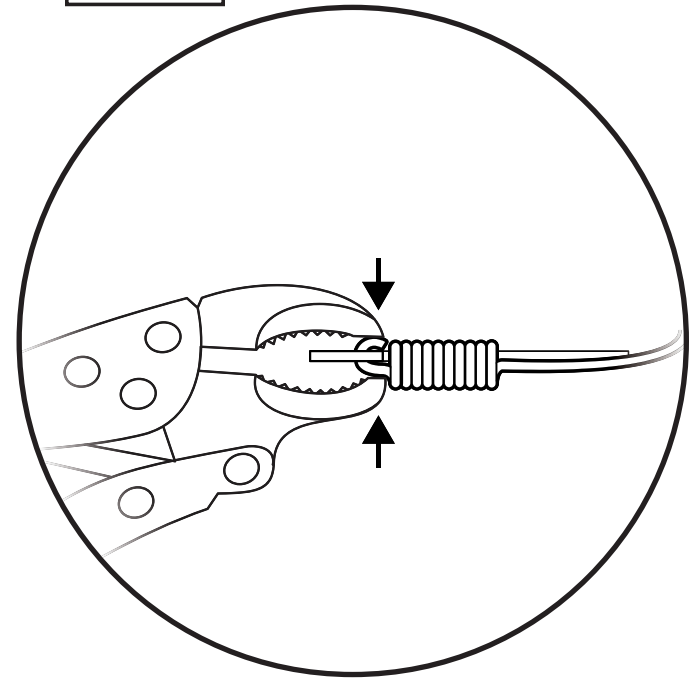
Attach the end of each Cable Spring to the #6 Bow Plate. Insert the hooked end of each Cable Spring into the hole in the lower corner of the #6 Bow Plate.

Tools



Vise Grips

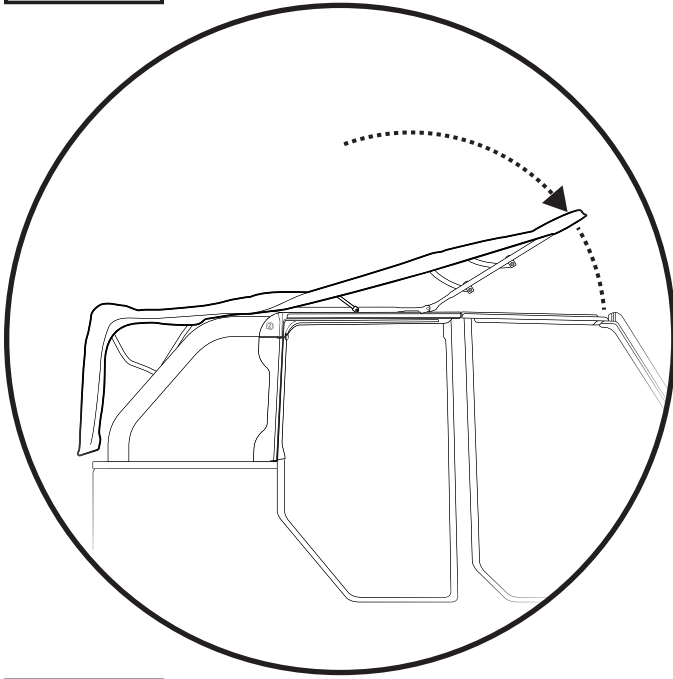
Step 2



Step 2

Crimp the end of each spring where it passes through the hole in the corner of the #6 Bow Plate, to prevent it from coming loose.

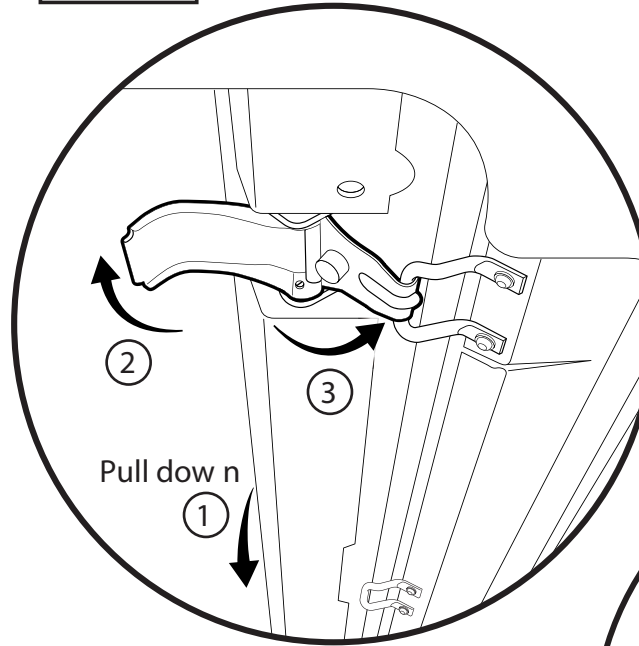
Step 1



Step 1

Fold the top forward to close it.

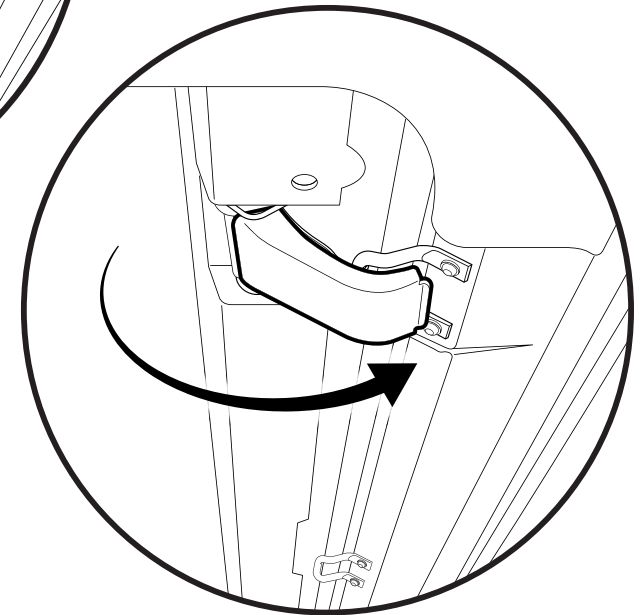
Step 2



Step 2

From inside the Jeep, locate the two Windshield Header Latches. To close the latch, pull down on the center of the header and pivot the latch handle to the completely open position to allow the hook to engage the windshield loop. Now pivot the hook forward to engage the windshield loop.

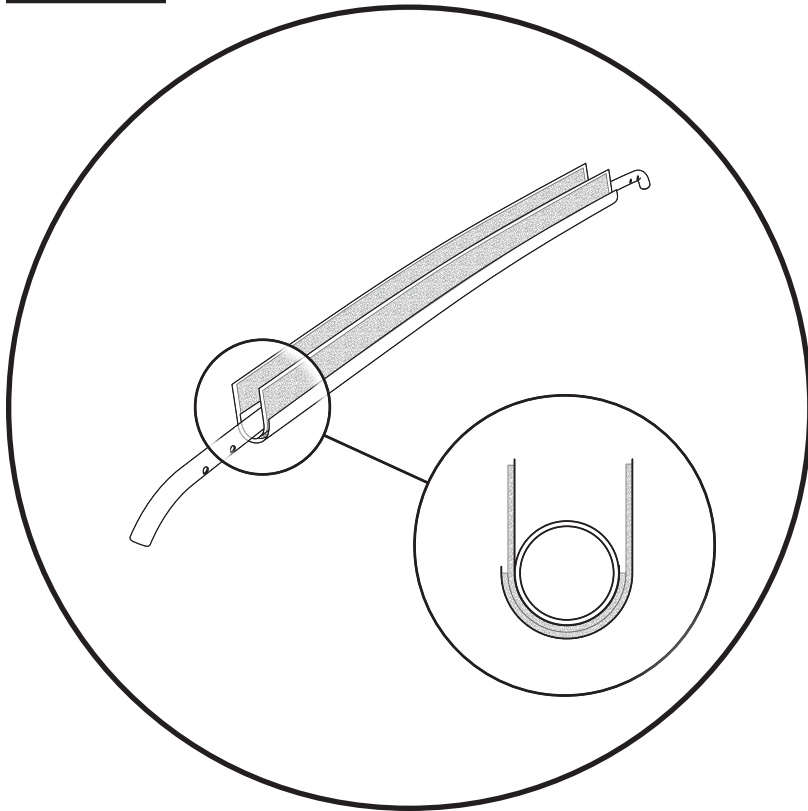
Step 3



Step 3

When the hook is engaged with the windshield loop, close each latch by pivoting it forward toward the windshield.

Step 1



Step 1

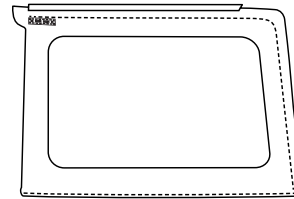
Locate the two fabric flaps sewn to the inside of the fabric top, just above the #5 Bow.

Wrap these flaps around the #5 Bow so that the Hook side of one flap attaches to the Loop side of the other flap.

Wrap all along the length of the #5 Bow.

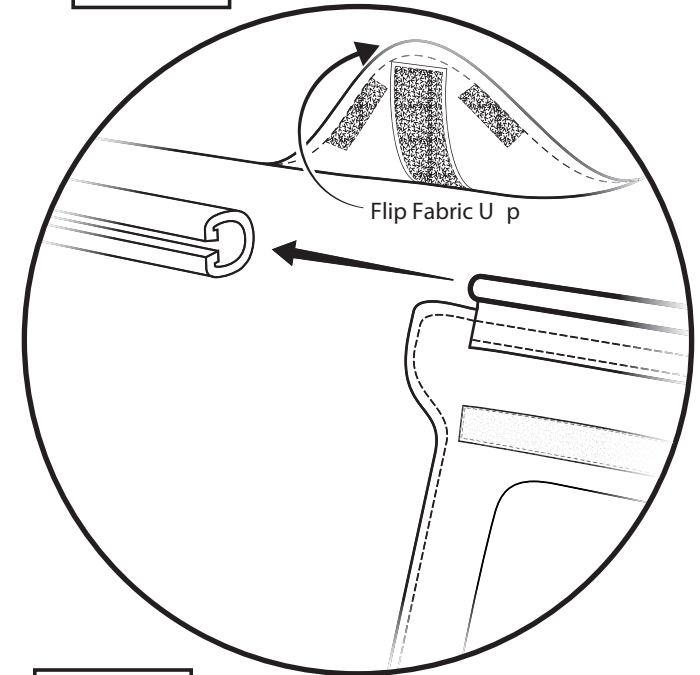
Wrap the #5 Bow, #4 Bow, #3 Bow and #2 Bow in this way.

Hardware



Quarter Windows
Left and Right
Qty. 1 of each

Step 2



Step 2

Attach the Quarter Windows.

Locate the plastic channel along the left side edge of the top fabric, behind the left Rear Door Rail.

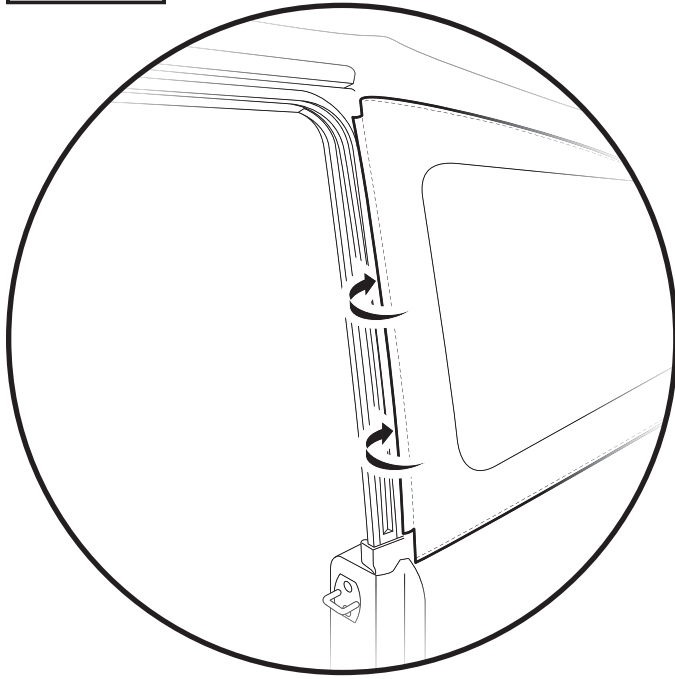
Lift up the fabric top for access to the plastic channel.

Insert the tip of the sewn-in plastic rail at the top edge of the left Quarter Window into the open end of the rear of the channel sewn onto the bottom edge of the top fabric.

Slide the Quarter Window forward until the front portion of the window is aligned with the rear edge of the Rear Door Rail.

Repeat on the right Side Quarter Window.

Step 1



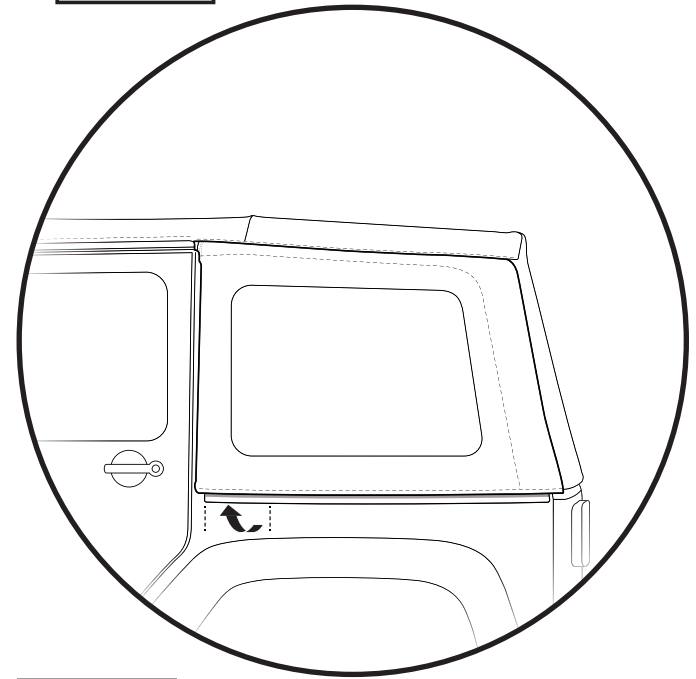
Step 1

Locate the the sewn-in plastic strip along the front edge of the left Quarter Window.

Tuck this plastic strip into the vertical channel along the outside face of the left Rear Door Rail.

Repeat on the right side of the Jeep.

Step 2

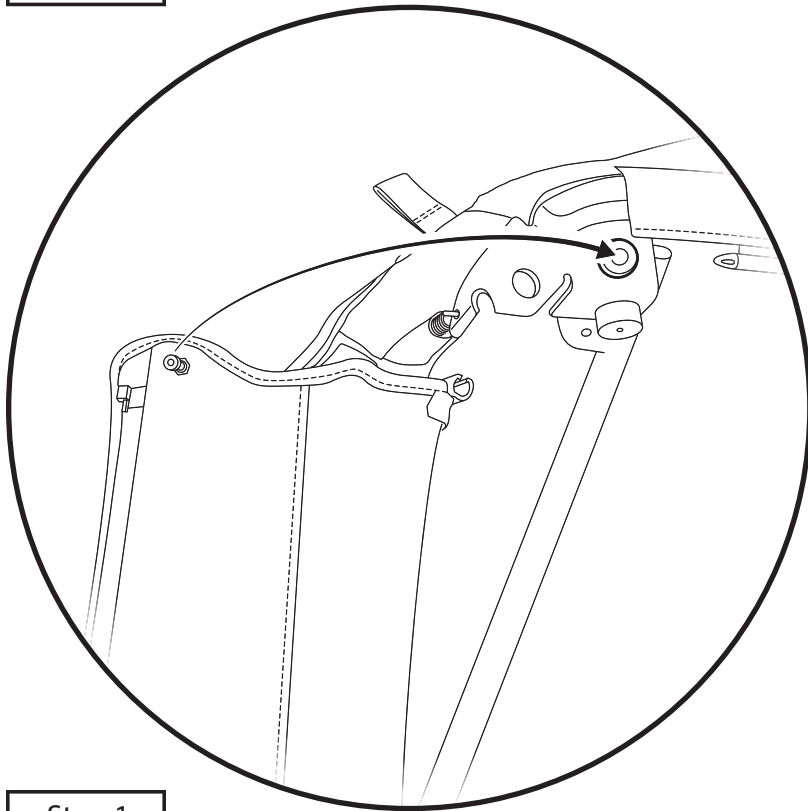


Step 2

Tuck just the first couple of inches of the plastic strip - along the bottom edge of the left Quarter Window - under the Jeep belt rail, by rolling it up underneath the belt rail.

Repeat on the right Quarter Window.

Step 1



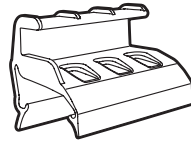
Step 1

Locate the pin on the inside of the rear top corner of the left Quarter Window.

Wrap the Quarter Window around and insert the pin into the grommet that you installed earlier.

Repeat this step on the right side Quarter Window.

Hardware



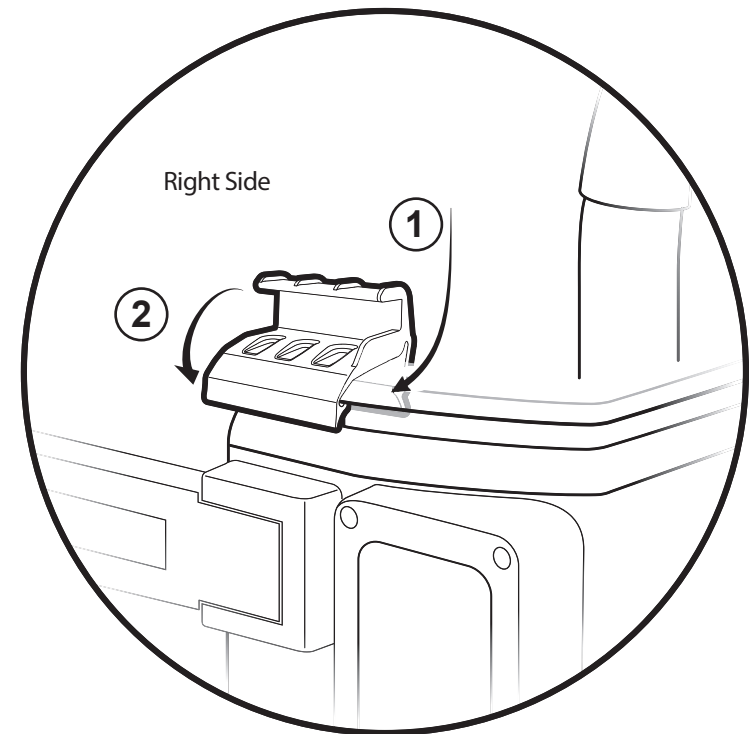
Tailgate Bar Retainer
Part #539.57 - Left
Part #539.56 - Right
Qty. 1 of each

Step 2

575.38

575.39

532.17



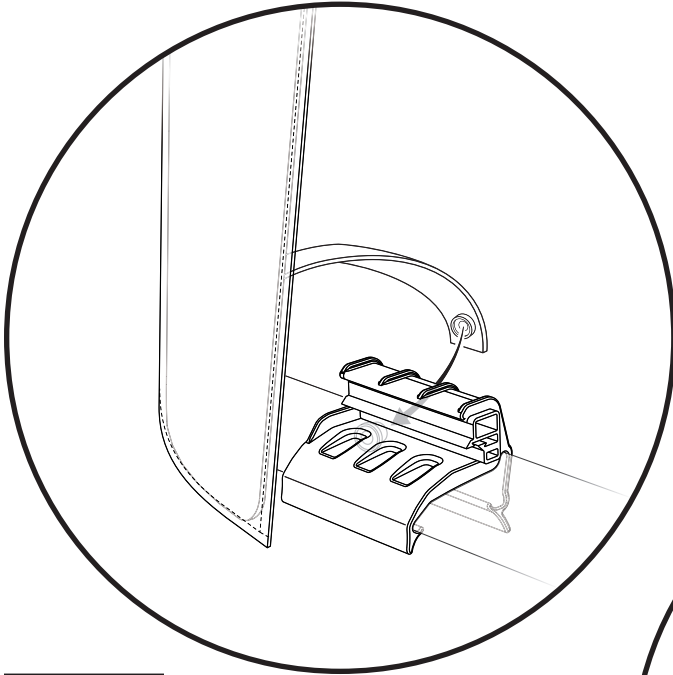
Step 2

Attach the Tailgate Bar Retainers #539.57 (left) and #539.56 (right) to the Jeep Belt Rail.

Each mount snaps onto the Jeep belt rail just outboard of the tailgate opening.

Snap each mount into place by hooking the inner catch portion of the mount under the belt rail on the inside, and then rolling the mount downward until it snaps into place under the bottom edge of the outside belt rail.

Step 1



Step 1

Secure the Quarter Panel Stiffeners to the Tailgate Retainers.

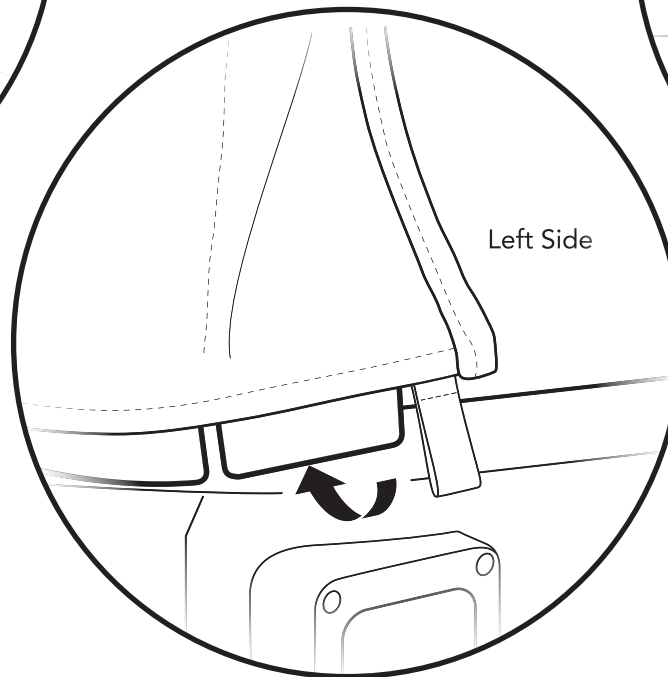
Locate the strap attached to the inside of each Stiffener. Snap the loose end of this strap to the snap located on the inside of each Tailgate Bar Retainer.

Step 2

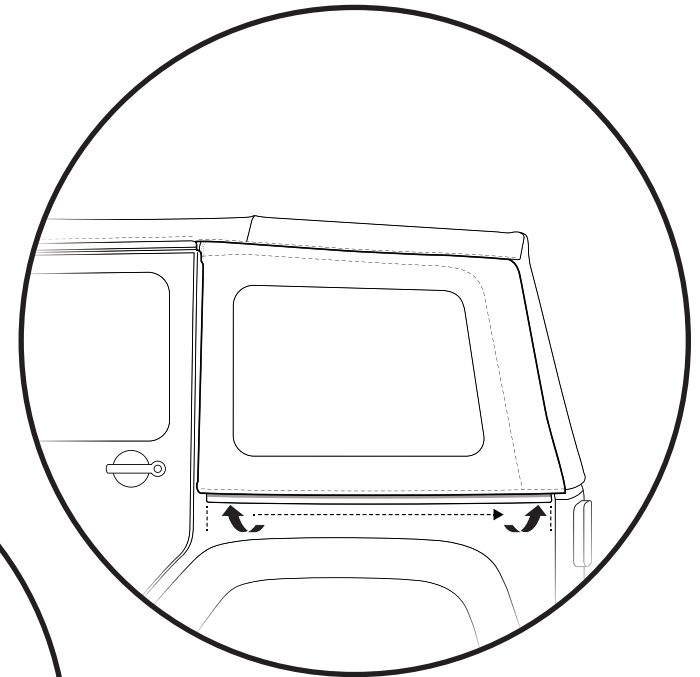
Tuck the plastic tab at the bottom rear corner of each Quarter Window under the Jeep belt rail.

Roll the tab on each side up underneath the Jeep belt rail.

Step 2



Step 3

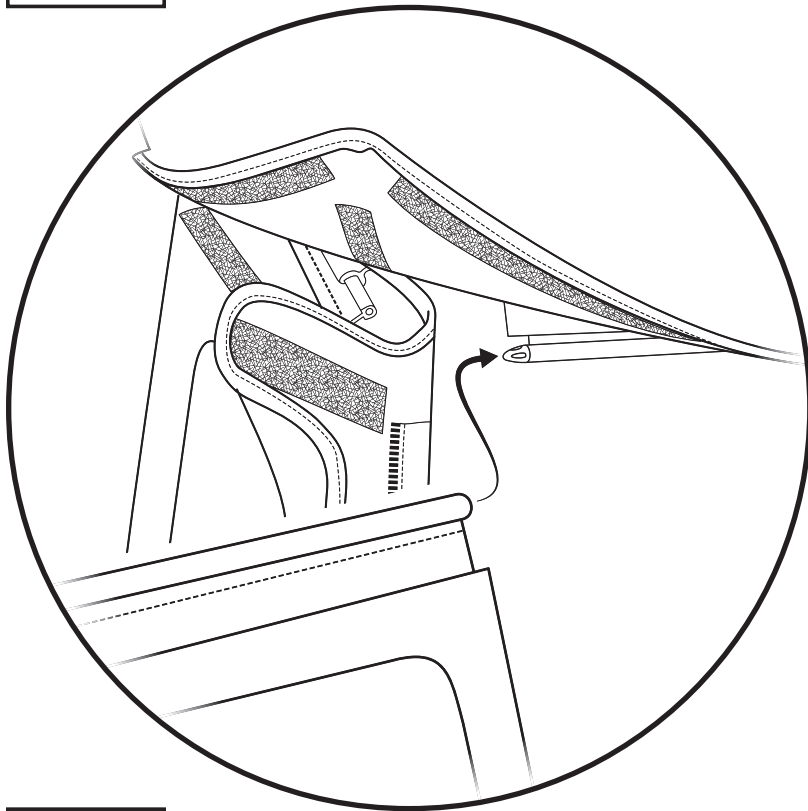


Step 3

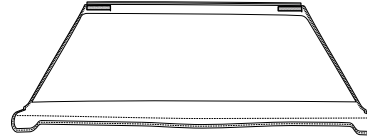
Secure the bottom edge of each Quarter Window.

Tuck the plastic flap along the bottom edge of each window under the Jeep belt rail along the entire length of the flap, from front to back.

Step 1

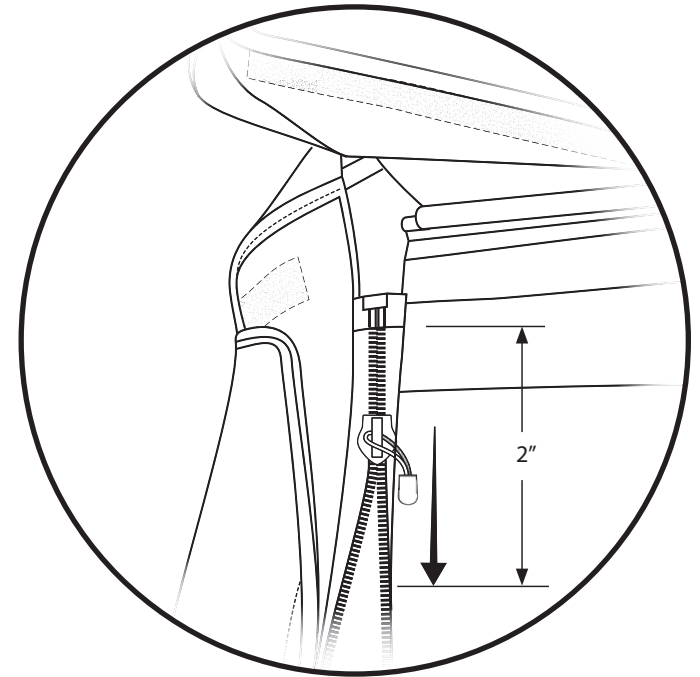


Hardware



Rear Window

Step 2



Step 2

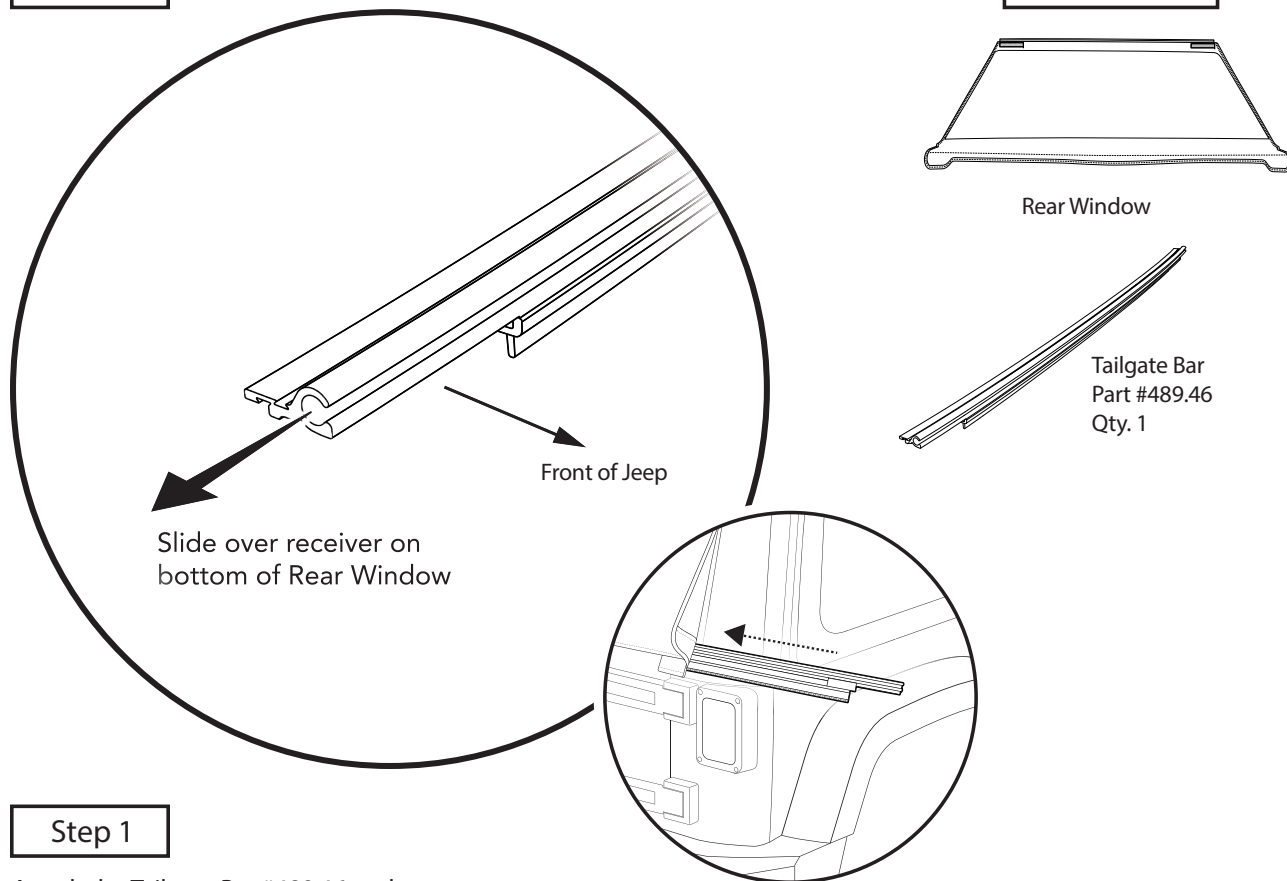
Partially zip the Rear Window to the Quarter Windows on both sides of the Jeep. Zip about 2" together on each side.

Step 1

Lift up the rear corners of the Top Fabric to expose the Rear Window attachment tube.

Slide the hollow tip of the sewn-in plastic tube at the top right corner of the Rear Window over the left-side tapered tip of the rail sewn onto the bottom edge of the top fabric, and slide the Rear Window to the right until it meets the right side Quarter Panel Stiffener.

Step 1

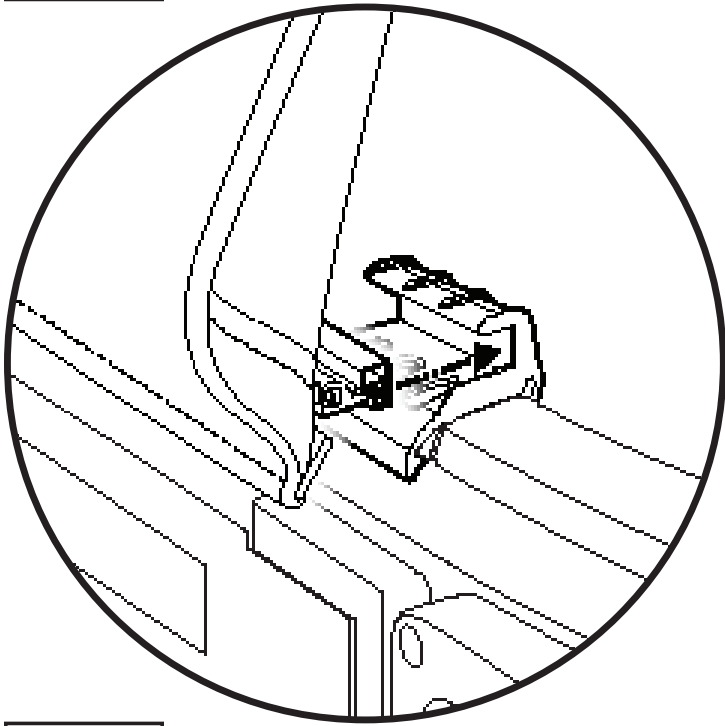


Step 1

Attach the Tailgate Bar #489.46 to the Rear Window.

Slide the Tailgate Bar channel over the sewn-in receiver rail on the lower inside of the Rear Window.

Step 1

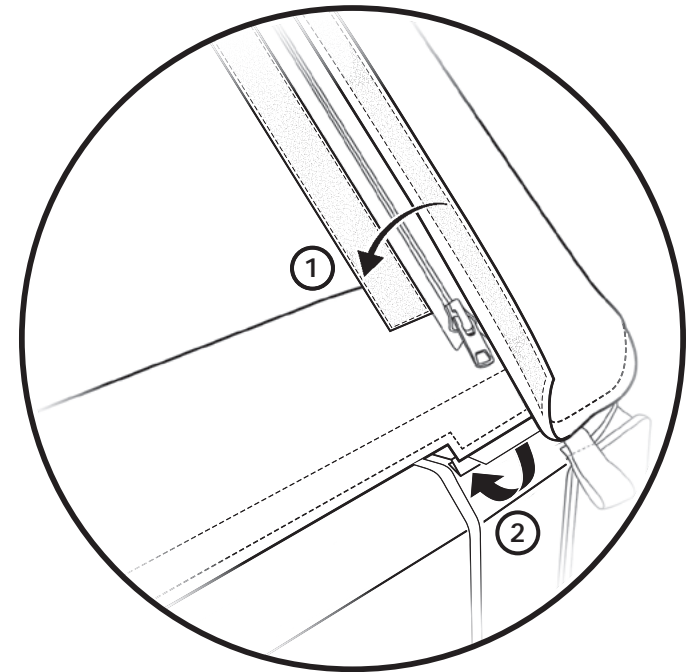


Step 1

Snap the front edge of the Tailgate Bar into the channel on each Tailgate Bar Mount.

Repeat for both sides of the tailgate.

Step 2



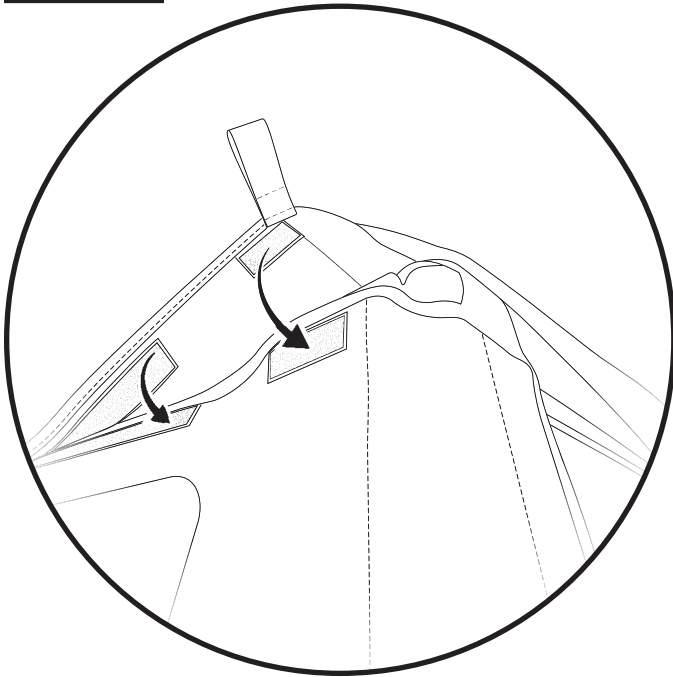
Step 2

① Wrap the Quarter Window flaps over the Rear Window and zippers at each side, and secure the hook & loop strips along each edge.

② Tuck the tabs at the bottom left and right corners of the Rear Window underneath the lip on the Tailgate Bar Retainers.

Now you can finish zipping the Rear Window to the Quarter Windows on both sides.

Step 1



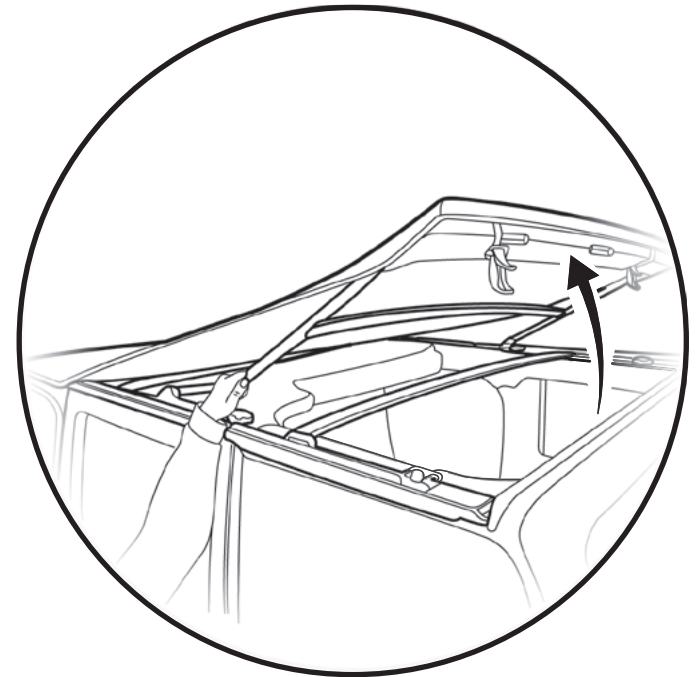
Step 1

Locate the Hook & Loop strips at the underside of each rear corner and along the rear overlap of the top fabric.

Snug the rear corners of the top by attaching the Hook & Loop strips on the underside of the top fabric to the strips along the top edges of the Rear Window and corners.

Use the attached sewn-in tab to snug the top and secure the Hook & Loop strips.

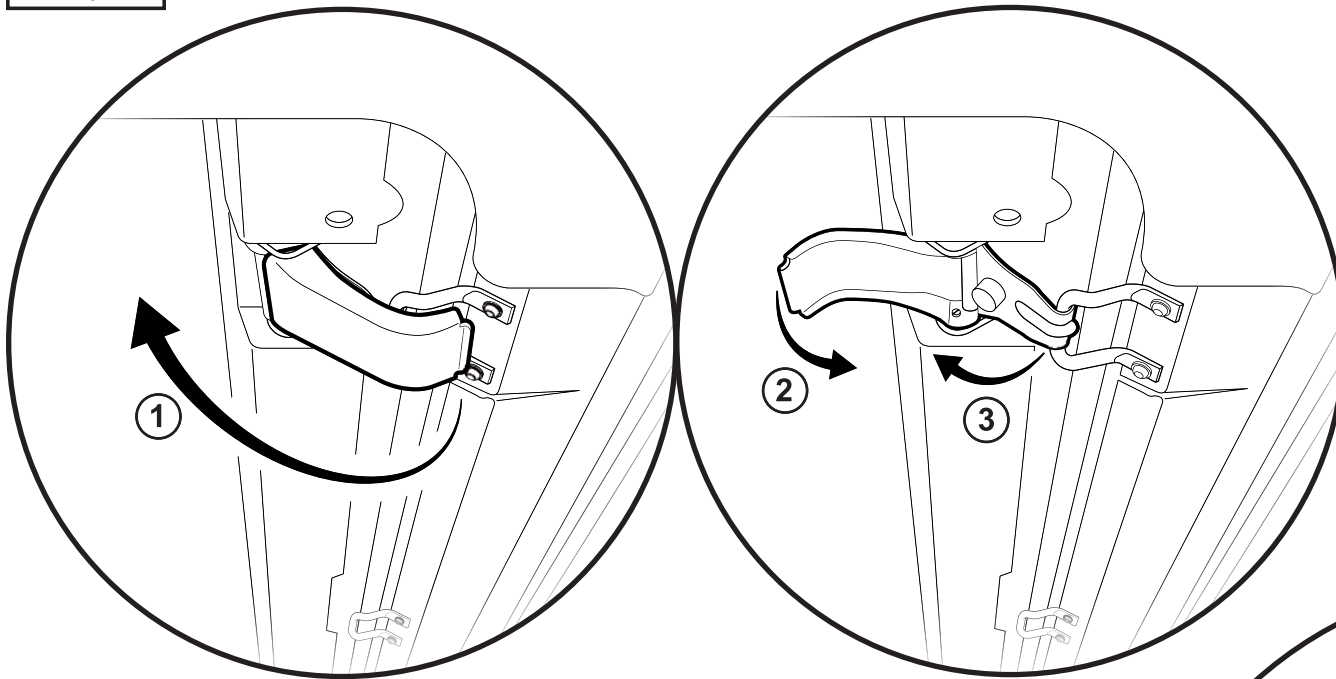
Step 2



Step 2

Once the full installation is complete, release the header latches and put the top into the Sunrider mode, to allow the top to stretch and normalize for a while before removing windows or folding the top down.

Step 1



Step 1

Locate the two Windshield Header Latches inside the Jeep. Pivot the outer latch open, then swing it forward again while releasing the hook from the windshield loop.

Once the windshield latches have been released, you must release the yellow Lift Assist Lock Levers (see Section 4, Step 1) before folding the top back. When released, the yellow levers will be in the "up" position.

To open the whole top, first remove the Quarter Windows and the Rear Window, and store them safely, to avoid damage or scratches.

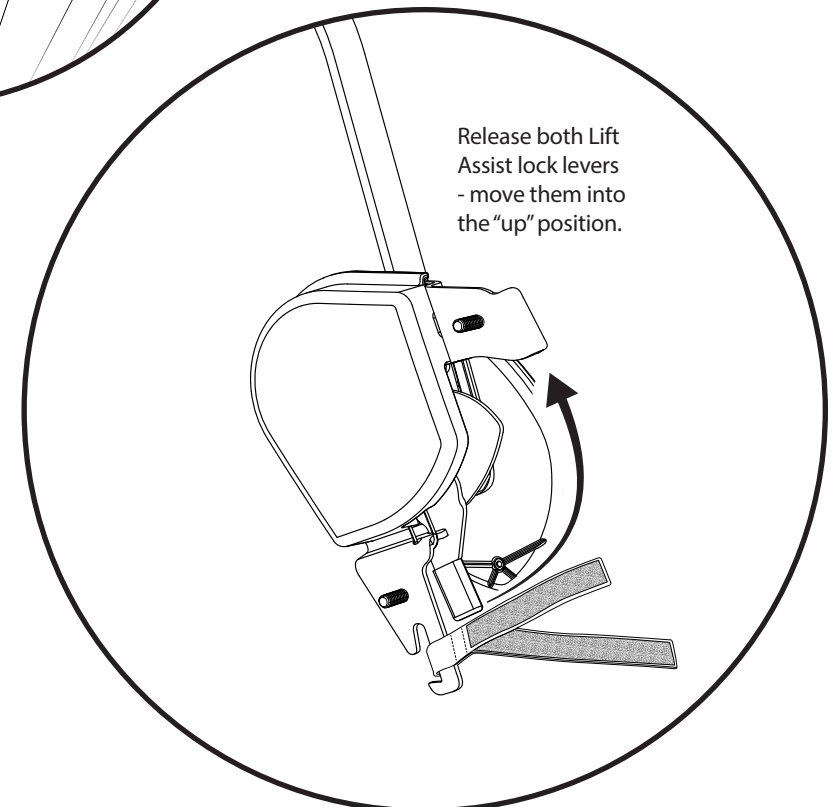
Step 2

To open the whole top, first remove the Quarter Windows and the Rear Window, and store them safely, to avoid damage or scratches.

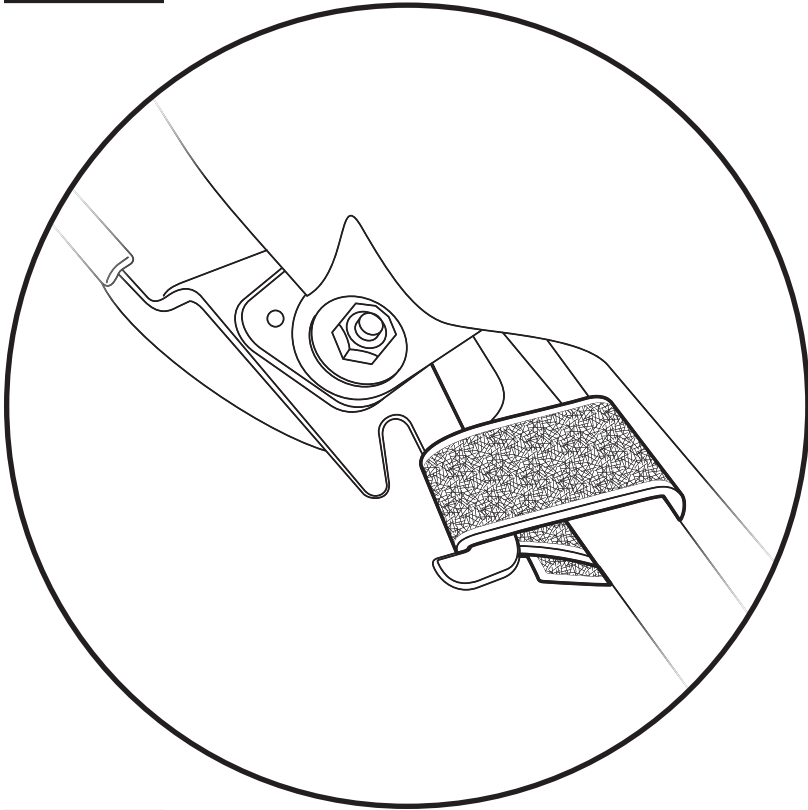
Move the Lift Assist Lock Levers to the up & unlocked position.

Now you can fold the top back.

Step 2



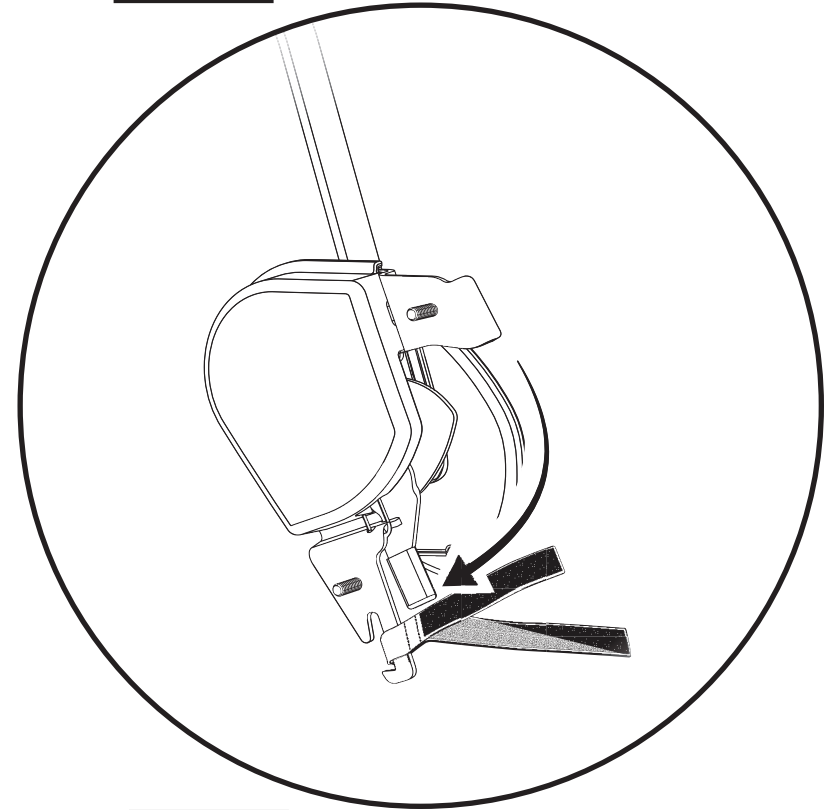
Step 1



Step 1

With the windows removed, and the top folded completely back, locate the Hook-&-Loop Lift Assist Tie-Down Strap that you attached in Section 4, Step 1, and wrap it securely around the #5 Bow on both sides of the Jeep.

Step 2



Step 2

When putting the top back up, first release the Lift Assist Tie-Down Straps.

When lifting the top up to move it over the top of the Jeep, make sure that the yellow Lift Assist Locking Levers move back to the Down & Locked position. You should hear an audible click when the levers move in to the correct position.

NOTE: if the Locking Levers aren't in the Locked position, the front of the fabric top will overhang the front windshield.

See Section 15 on page 20 for front windshield latching instructions.



Warranty Information Supertop Ultra

Vehicle Application:
Jeep® JK Wrangler Unlimited 2007 - 2018
Part Number 54724

WHAT BESTOP WARRANTS

Subject to the terms and conditions of sale, including any terms and conditions set forth by Bestop, Inc. (“Bestop” or “us” or “we”) in our then-current terms of sale on our website (collectively, the “Terms”), Bestop represents and warrants that: the covered products listed in the “Covered Products and Warranty Periods” section (a “Product”) will substantially be free from defects in materials and workmanship for the specified warranty periods set forth in that section.

THE WARRANTY IS LIMITED AND CONDITIONAL

This warranty applies to the original purchaser of the Product only. The warranty is valid only as long as the original retail purchaser owns the vehicle upon which the Product is installed. The warranty expires should the Product be removed from the original vehicle or if the original vehicle is transferred to another owner. This warranty is not transferable or assignable. The warranty does not apply to Product bought from auction-style or price-bid websites.

THE LIMITED WARRANTY AND STATED REMEDIES ARE SOLE AND EXCLUSIVE AND IN LIEU OF ALL OTHER WARRANTIES AND REMEDIES, AND COMPANY EXPRESSLY DISCLAIMS ALL IMPLIED OR STATUTORY OR OTHER WARRANTIES, INCLUDING WITHOUT LIMITATIONS WARRANTIES OF MERCHANTABILITY, NON-INFRINGEMENT OR FITNESS FOR A PARTICULAR PURPOSE. IN NO EVENT WILL COMPANY BE LIABLE FOR ANY SPECIAL, INCIDENTAL, CONSEQUENTIAL, PUNITIVE, INDIRECT OR EXEMPLARY DAMAGES OF ANY KIND, INCLUDING LOST PROFITS OR REVENUE, HOWEVER CAUSED, WHETHER FOR BREACH OR REPUDIATION OF CONTRACT, TORT, BREACH OF WARRANTY, NEGLIGENCE, OR OTHERWISE, WHETHER OR NOT COMPANY WAS ADVISED OF THE POSSIBILITY OF SUCH LOSS OR DAMAGES.

Some states do not allow exclusion or limitation, so this may not apply to you. This warranty gives you specific legal rights, and you may have other rights which vary from state to state.

EXCLUSIONS TO THE WARRANTY

The Limited Warranty excludes, and Bestop is not liable in any way for any warranty claims, damages, or defects related to:

- Misuse, abuse, accidents, vandalism, negligence, fire, or improper installation or modification, or improper or inadequate maintenance;
- Failure to comply with any Product documentation, Bestop instructions, or applicable law or regulations; use in extreme conditions
- Force Majeure including but not limited to, earthquake, hurricane, tornado, flooding, or other disasters natural or man-made, civil unrest, strikes, declared or undeclared war, or lack of performance by, or discontinued product of, supply chain partners whose products, software, operations or management is beyond the control of Bestop;
- Damage resulting in breakage (including without limitation, spontaneous breakage, accidental breakage or breakage by any other means) of a Product or any component part;
- Damage to vinyl windows due to misuse, or cracking due to varying weather conditions.

YOUR SOLE REMEDY

During the applicable warranty period, Bestop shall, at its option, either repair or replace any Product that it confirms, in its discretion, is non-compliant with the warranties herein. Bestop will not pay for labor charges associated with installation or removal of the Product. Should a specific Product be discontinued, Bestop may, at its option, replace the discontinued Product with a current product or like product.

Please retain your proof of purchase. Original proof of purchase for the Product must accompany any warranty claim. If you have a warranty claim, first you must email Bestop Customer Service at csbestop@bestop.com for instructions. All claims must be emailed to csbestop@bestop.com within 30 days of discovery of a defective Product, but in no event later than thirty days after the end of the applicable Warranty Period (the “Warranty Notice Period”). Warranty claims made after the Warranty Notice Period are null and void and Bestop shall have no responsibility with respect to such claims.

THIS SECTION SETS FORTH BESTOP’S SOLE OBLIGATION & YOUR SOLE REMEDY WITH RESPECT TO ANY DEFECTS OR OTHER PRODUCT ISSUE. ANY PRODUCTS REPLACED UNDER TERMS OF THIS WARRANTY WILL BE COVERED UNDER TERMS & BALANCE OF THE DURATION OF THE ORIGINAL LIMITED WARRANTY FOR SUCH PRODUCT.



Warranty Information Supertop Ultra

Vehicle Application:
Jeep® JK Wrangler Unlimited 2007 - 2018
Part Number 54724

COVERED PRODUCTS AND WARRANTY PERIODS: The warranty time periods are as follows for Products manufactured by Bestop:

BESTOP® LIMITED LIFETIME WARRANTY

Trektop® Pro Twill Fabric Top Sunrider® for Hardtop Twill Fabric Top
Trektop® NX Glide Twill Fabric Top Replace-a-Top™ Twill Fabric Top
Trektop® NX Twill Fabric Top Supertop® NX Twill Fabric Top
EZFold™ Soft Tonneaus Floor & Cargo Liners
ZipRail™ Soft Tonneaus Pet Barriers
EZRoll™ Soft Tonneaus

BESTOP® 5-YEAR LIMITED WARRANTY

Trektop® NX Glide™ Top (non-Twill) Sunrider® for Hardtop (non-Twill) Replace-a-Top™ Top (non-Twill) Trektop® NX Top (non-Twill)
Sailcloth Replace-a-Top™ Supertop® NX Top (non-Twill)
Tigertop™ and Halftop™ Supertop® Classic Soft Top Sunrider® Complete Soft Top Supertop® for Truck
EZ Fold Hard Tonneau

BESTOP® 3-YEAR/100K MILES LIMITED WARRANTY

Powerboard® & Powerboard® NX
Trekstep®, Side Mount
Trekstep®, Rear Mount

BESTOP® 3-YEAR LIMITED WARRANTY

Pavement Ends Sprint Top

BESTOP® 2-YEAR LIMITED WARRANTY

Trektop® Classic Soft Top
RoughRider™ Soft Storage

BESTOP® 1-YEAR LIMITED WARRANTY

All other Bestop® & Pavement Ends™ products not specified above.

For further information or request for warranty work, please contact:

Bestop Inc. Customer Service
Toll-Free: (800)845-3567
Main: (303)465-1755
E-mail: csbestop@Bestop.com
Website: www.Bestop.com