



Installation Instructions 4-Door Trek Top Halftop

Vehicle Application:
Jeep® Wrangler Unlimited JL 2018-2023
Part Number 53902

Installation Tips

Before you begin installing your new Trek Top, please read all the instructions thoroughly.

For easier installation, the top should be installed at a temperature above 72° F. Below this temperature, the fabric may contract making it difficult to fit the vehicle.

WARNING Do not rely in any way on the components of this product to protect against injury or death in the event of an accident. Never operate the vehicle in excess of manufacturer's specifications.

Read and follow, precisely, all installation instructions provided when installing this product. Failure to do so may result in a poor fit and could place occupants of the vehicle in a potentially dangerous situation.



CAUTION Safety glasses should be worn at all times when installing this product.

WEAR SEAT BELTS AT ALL TIMES

Tools			
 Safety Glasses	 T8 ,T25,T40 and T45 Torx Drivers	 3mm - 4mm - 5mm Allen Wrenches	
 Torque Wrench	 8mm - 13mm Wrenches	- OR - Socket Wrench	 8mm - 13mm Sockets

Installation Time
4 hours

Skill Level
<div style="display: flex; justify-content: space-around; align-items: center;"> <div style="border: 1px solid gray; border-radius: 50%; width: 30px; height: 30px; display: flex; align-items: center; justify-content: center;">1</div> <div style="border: 1px solid gray; border-radius: 50%; width: 30px; height: 30px; display: flex; align-items: center; justify-content: center;">2</div> <div style="border: 2px solid black; border-radius: 50%; width: 30px; height: 30px; display: flex; align-items: center; justify-content: center;">3</div> <div style="border: 1px solid gray; border-radius: 50%; width: 30px; height: 30px; display: flex; align-items: center; justify-content: center;">4</div> </div> <p>3 - Moderately Difficult</p>

Support
<p>We're here to help! Go to: https://www.bestop.com and click on Need Help?</p>
<p>https://www.bestop.com/video-library</p>



Installation Instructions 4-Door Trek Top Halftop

Vehicle Application:
Jeep® Wrangler Unlimited JL 2018-2023
Part Number 53902

Sugerencias de Instalación

Antes de empezar a instalar esta unidad, lea atentamente todas las instrucciones.

Para un buen ajuste:

Para facilitar la instalación, el producto debe instalarse a temperaturas superiores a 72 °F (22 °C).

Por debajo de esta temperatura, la tela puede encogerse una pulgada o más, lo que dificultaría su ajuste al vehículo.

Es normal que la tela se contraiga o arrugue cuando está guardada en la caja de empaque. A los pocos días después de la instalación, la tela se relajará y las arrugas desaparecerán.



ADVERTENCIA

Este producto se diseñó principalmente para mejorar la apariencia del vehículo y proteger a los ocupantes de las condiciones climáticas comunes. De ninguna manera piense que los componentes de este producto pueden servir como medio de contención para los ocupantes del vehículo o que pueden protegerlos contra lesiones o la muerte en caso de accidente. Este producto no protegerá a los ocupantes contra caídas de objetos. Nunca conduzca este vehículo fuera de las especificaciones del fabricante.

USE LOS CINTURONES DE SEGURIDAD EN TODO MOMENTO

Lea y siga con precisión todas las instrucciones de instalación que se proporcionan para instalar este producto. Si no lo hace, podría producirse un mal ajuste que colocaría a los ocupantes del vehículo en una situación potencialmente peligrosa.



PRECAUCIÓN

Debe usar gafas protectoras en todo momento durante la instalación de este producto.

Conseils pour l'installation

Lire toutes les instructions au complet avant de commencer l'installation de cet assemblage.

Pour un ajustement sans problème :

Afin de faciliter l'installation, ce produit doit être installé à des températures au-dessus de 72 °F (22 °C).

Sous cette température, le tissu peut rétrécir d'un pouce (2,5 cm) ou plus, ce qui rendra l'ajustement sur le véhicule difficile.

Il est normal que le tissu rétrécisse et plisse pendant qu'il est dans la boîte d'expédition. En quelques jours après l'installation, le tissu se détendra et les plis disparaîtront.



AVERTISSEMENT

Ce produit est conçu principalement pour améliorer l'apparence du véhicule et pour protéger les occupants des conditions météorologiques usuelles. Ne jamais se fier aux composants de ce produit pour se protéger de blessures ou de la mort en cas d'accident. Ce produit ne protégera pas les occupants des chutes d'objets. Ne jamais utiliser le véhicule au-delà des caractéristiques techniques indiquées par le fabricant.

PORTER UNE CEINTURE DE SÉCURITÉ EN TOUT TEMPS

Lire et suivre, très fidèlement, toutes les instructions d'installation fournies lors de l'installation de ce produit. Ne pas suivre cette consigne peut causer une installation inadéquate et mettre les occupants du véhicule dans une situation potentiellement dangereuse.



MISE EN GARDE

Des lunettes de sécurité doivent être portées en tout temps lors de l'installation de ce produit.



Installation Instructions 4-Door Trek Top Halftop

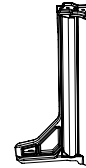
Vehicle Application:
Jeep® Wrangler Unlimited JL 2018-2023
Part Number 53902



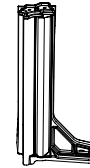
Upper Rear Door Rail
Part #574.42 - Right
Qty. 1



Upper Rear Door Rail
Part #574.43 - Left
Qty. 1

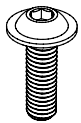


Lower Rear Door Rail
Part #574.46 - Right
Qty. 1

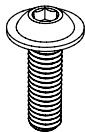


Lower Rear Door Rail
Part #574.47 - Left
Qty. 1

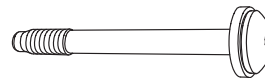
Parts Kit #574.62



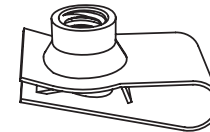
M6x20mm
Flanged Button Head
Cap Screw
#517.48
Qty. 4



M8x1.25x20mm
Flanged Button Head
Cap Screw
#573.09
Qty. 2



M8x1.25x80
Screw
#532.23
Qty. 8



M6 U-Clip
#537.49
Qty. 4

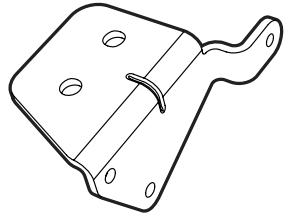


M8 Flat Washer
#515.84
Qty. 2

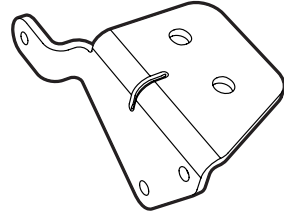


Installation Instructions 4-Door Trek Top Halftop

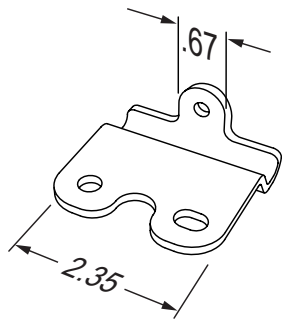
Vehicle Application:
Jeep® Wrangler Unlimited JL 2018-2023
Part Number 53902



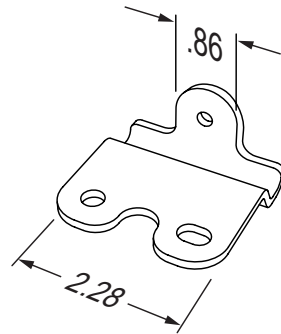
#5 Bow Bracket
Part #576.30 - Right
Qty. 1



#5 Bow Bracket
Part #576.31 - Left
Qty. 1



Side Bow Pivot Bracket
Part #579.96
Qty. 2

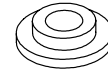


#2 Bow Pivot Bracket
Part #579.95
Qty. 2

Parts Kit #576.59



M8x1.25
Nylon Lock Nut
#434.12
Qty. 4



Plastic Bushing
#473.40
Qty. 16



M8 Flat Washer
#515.84
Qty. 4



M8x1.25x20
Button Head
Socket Cap Screw
#431.59
Qty. 4



M6 Flat Washer
#515.81
Qty. 12



M5 Nylon Lock Nut
#526.76
Qty. 8



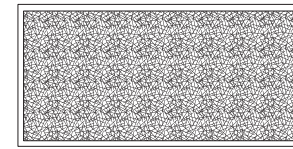
M5 Flat Washer
#565.90
Qty. 16



M6x1x14
Button Head
Socket Cap Screw
#517.63
Qty. 18



M5x0.8x25
Button Head
Socket Cap Screw
#579.60
Qty. 8



2.5"x2"
Hook-&-Loop Strip
#592.35
Qty. 6



M8x1.25x38
Button Head
Socket Cap Screw
#532.17
Qty. 2

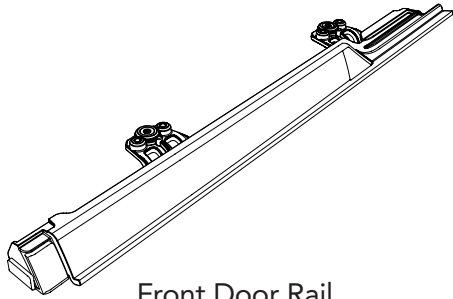


Strap Clip
#338.24
Qty. 2

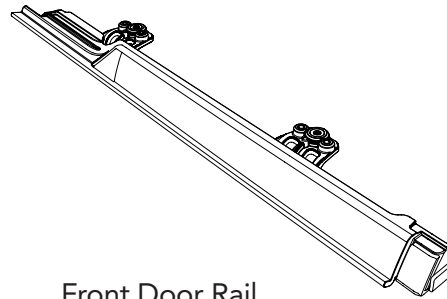


Installation Instructions 4-Door Trek Top Halftop

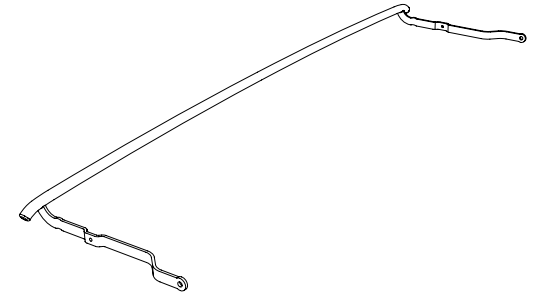
Vehicle Application:
Jeep® Wrangler Unlimited JL 2018-2023
Part Number 53902



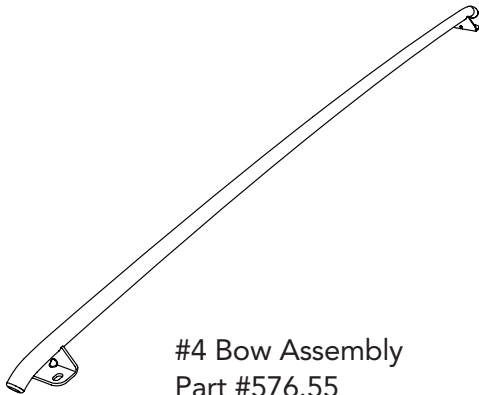
Front Door Rail
Part #574.32 - Right
Qty. 1



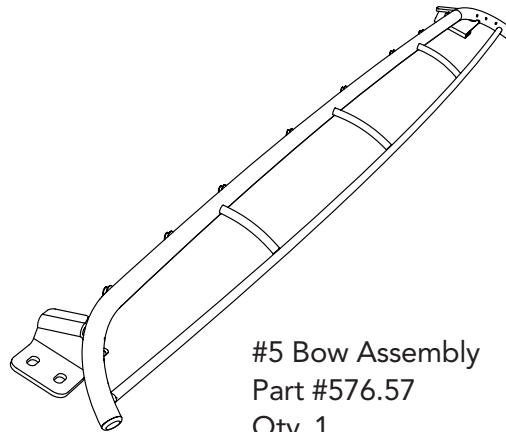
Front Door Rail
Part #574.33 - Left
Qty. 1



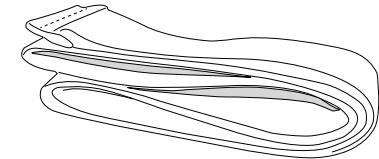
#2 Bow Assembly
Part #576.44
Qty. 1



#4 Bow Assembly
Part #576.55
Qty. 1



#5 Bow Assembly
Part #576.57
Qty. 1

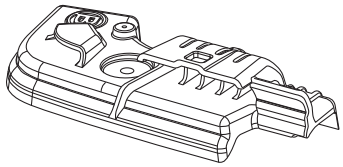


31 x 1 inch Strap
Part #629.63
Qty. 1

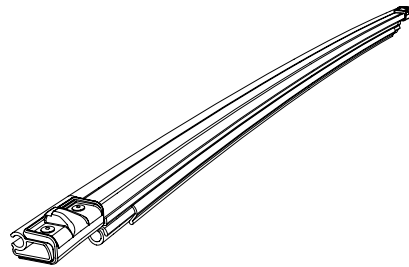


Installation Instructions 4-Door Trek Top Halftop

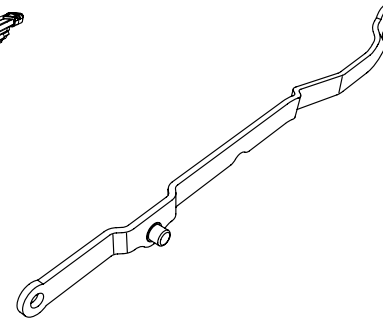
Vehicle Application:
Jeep® Wrangler Unlimited JL 2018-2023
Part Number 53902



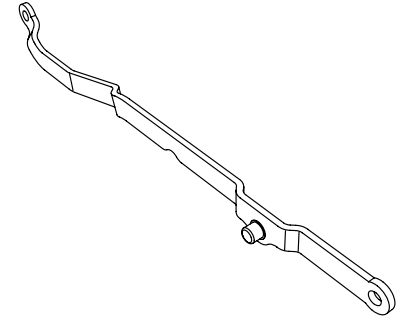
Tailgate Bar Retainer
Part #575.39 - Left
Qty. 1



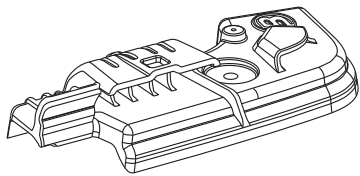
Tailgate Bar
Part #575.33
Qty. 1



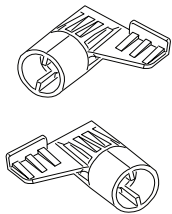
#2 Bow Link Assembly
Part #576.15 - Left
Qty. 1



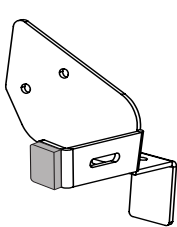
#2 Bow Link Assembly
Part #576.16 - Right
Qty. 1



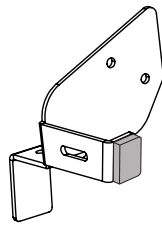
Tailgate Bar Retainer
Part #575.38 - Right
Qty. 1



Plastic End Caps
Qty. 1 Each
Part # 592.66 RH
Part # 593.71 LH



BRKT, Bow Support
Rear Right
Part #609.32
Qty. 1 ea



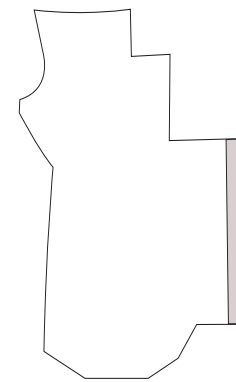
BRKT, Bow Support
Rear Left
Part #609.33
Qty. 1 ea



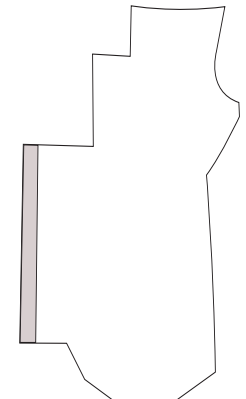
Bow D Pillar
Part #603.93
Qty. 2



Extruded Aluminum Bow
Qty. 1
Part # 609.30



Sportbar Sleeve Right



Sportbar Sleeve Left



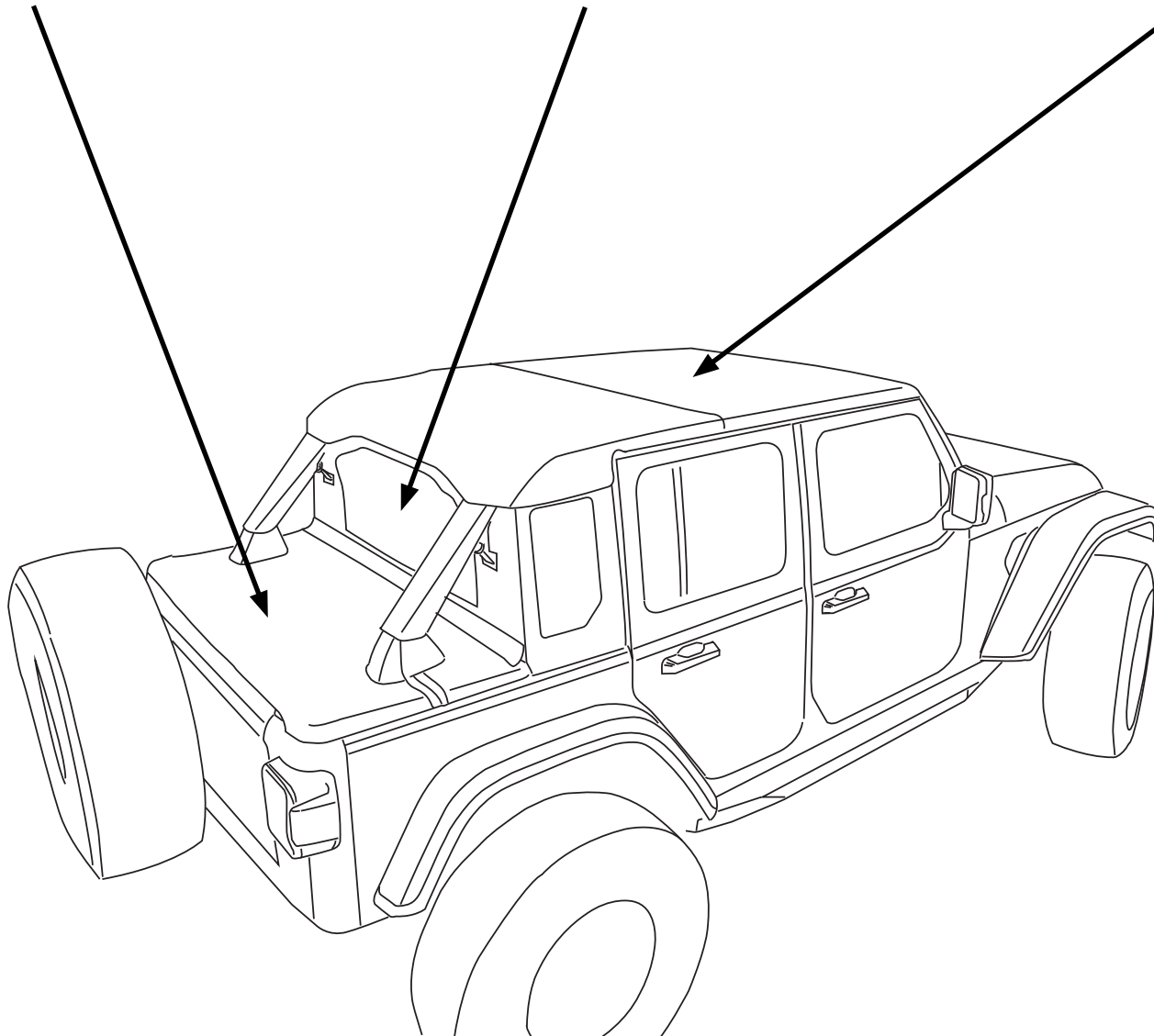
Installation Instructions
4-Door Trek Top Halftop

Vehicle Application:
Jeep® Wrangler Unlimited JL 2018-2023
Part Number 53902

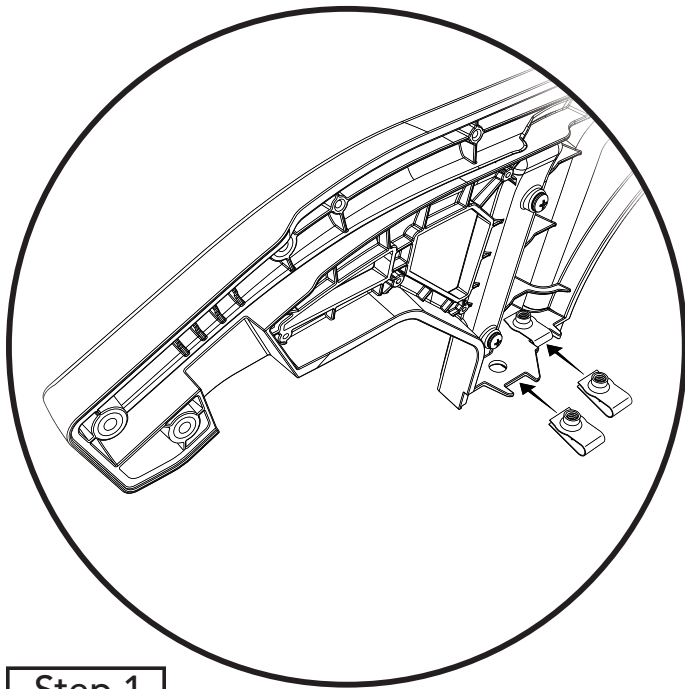
Duster Assembly

Windjammer Assembly

Deck, Header Assembly & Fabric Top



Step 1



Step 1

Attach the two (2) U-Clips #537.49 to the Upper Rear Door Rails #574.42 (right) and #574.43 (left) in the positions indicated. Make sure to have the threaded barrel of each U-Clip facing up.

Tools



4mm
Allen Wrench

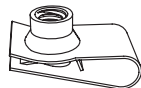
Hardware



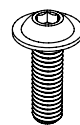
Upper Rear Door Rail
Part #574.42 - Right
Part #574.43 - Left
Qty. 1 of each



Lower Rear Door Rail
Part #574.46 - Right
Part #574.47 - Left
Qty. 1 of each

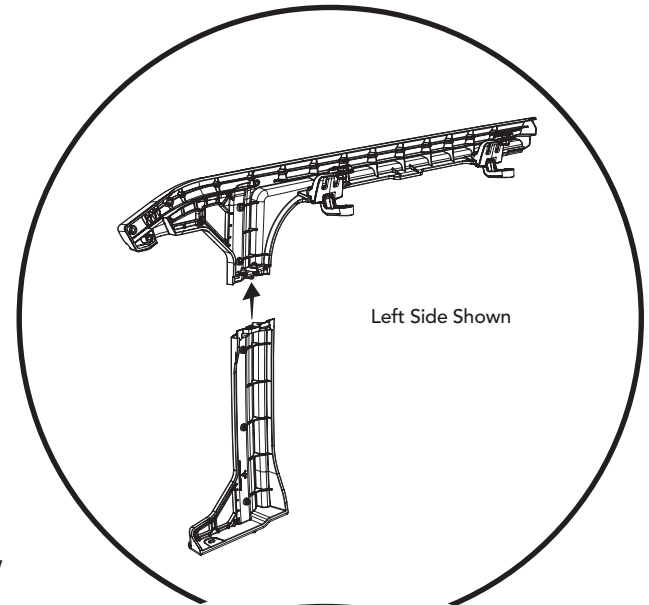


M6 U-Clip
#537.49
Qty. 4



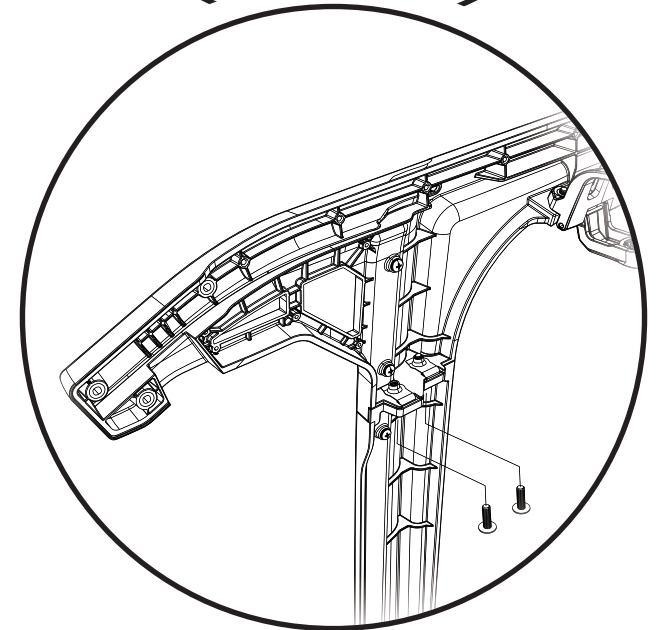
M6x20mm
Flanged Button
Head Cap Screw
#517.48
Qty. 4

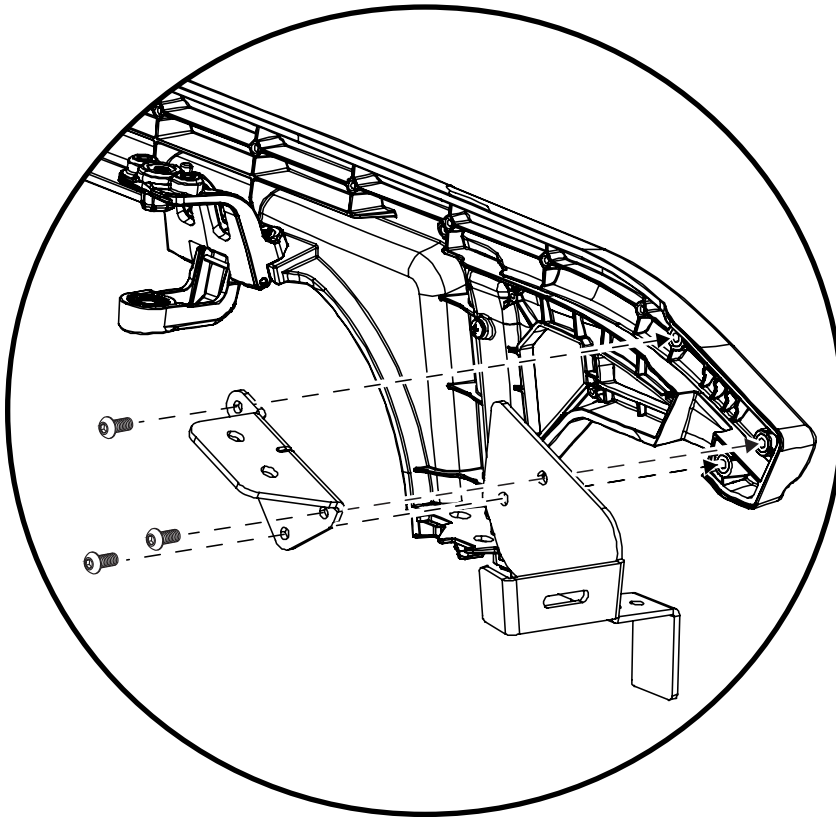
Step 2



Step 2

Attach the Upper Rear Door Rail #574.42 (right) to the Lower Rear Door Rail #574.46 (right). Attach the Upper Rear Door Rail #574.43 (left) to the Lower Rear Door Rail #574.47 (left). Use two (2) #517.48 Button Head Cap Screws (can be found in Small Parts Kit #574.62) per assembly. Screws thread up from the bottom into the U-Clips.





Attach the #5 Bow Brackets, #576.30 (right) and #576.31 (left) and the Bow Support Brackets #609.32 (right) and #609.33 (left) to the back side of each Rear Door Rail Assembly.

Attach the Brackets using three (3) M6 x1x14 Button Head Socket Cap Screws #517.63 for each Door Rail Assembly.

Tools

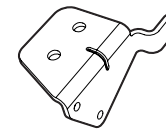


T8 Torx Driver

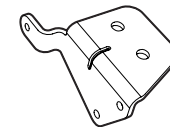


4mm Allen Wrench

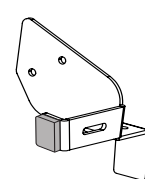
Hardware



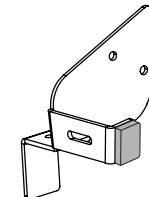
#5 Bow Bracket
Part #576.30 - Right
Qty. 1



#5 Bow Bracket
Part #576.31 - Left
Qty. 1



BRKT, Bow Support
Rear Right
Part #609.32
Qty. 1 ea

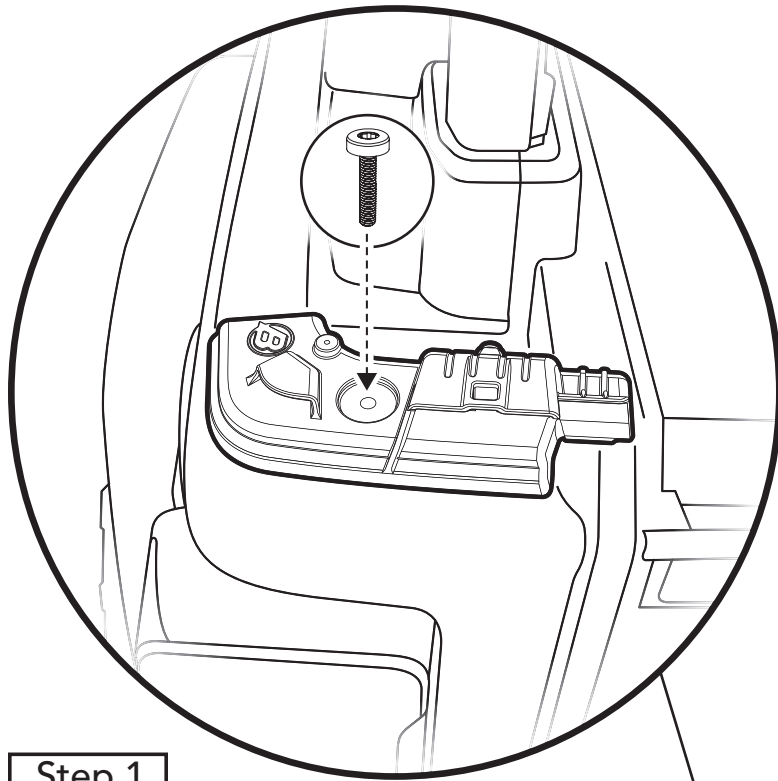


BRKT, Bow Support
Rear Left
Part #609.33
Qty. 1 ea



M6x14
Button Head
Socket Cap Screw
#517.63
Qty. 6

Step 1



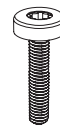
Hardware



Tailgate Bar Retainer
Part #575.38 - Right
Qty. 1



Tailgate Bar Retainer
Part #573.39 - Left
Qty. 1



M8x1.25x38
Button Head
Socket Cap Screw
#532.17
Qty. 2

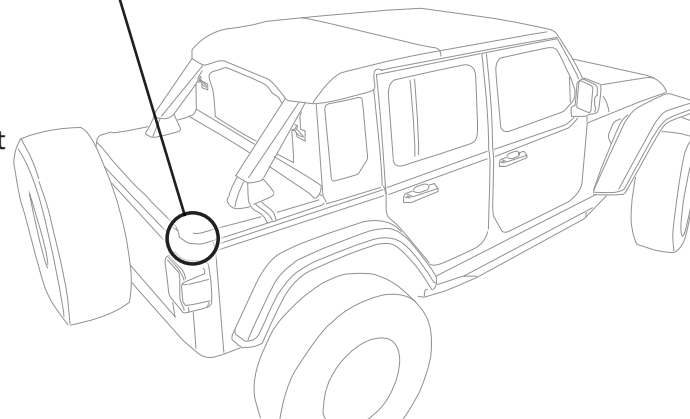
Tools



T45 Torx Driver

Step 1

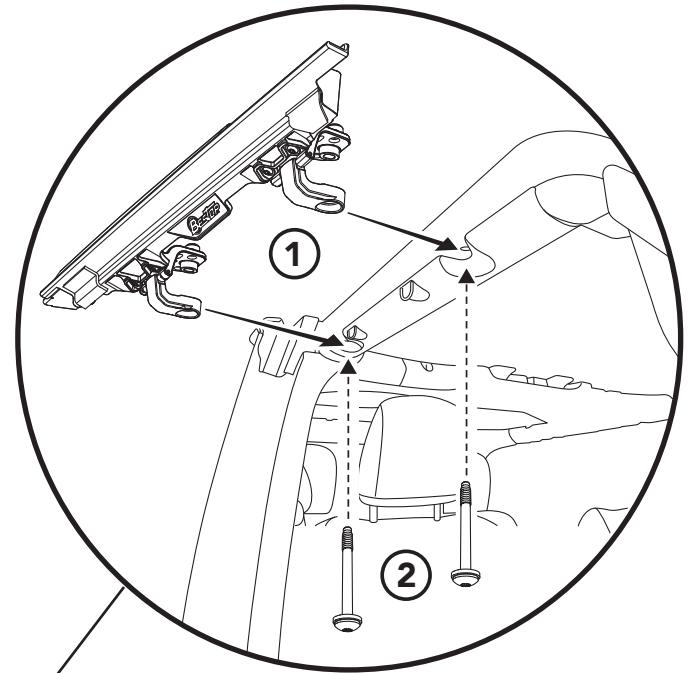
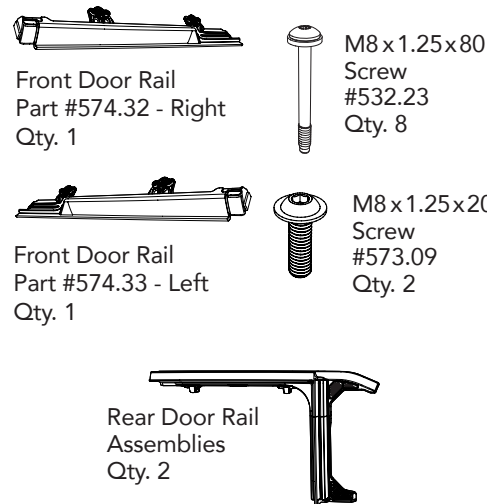
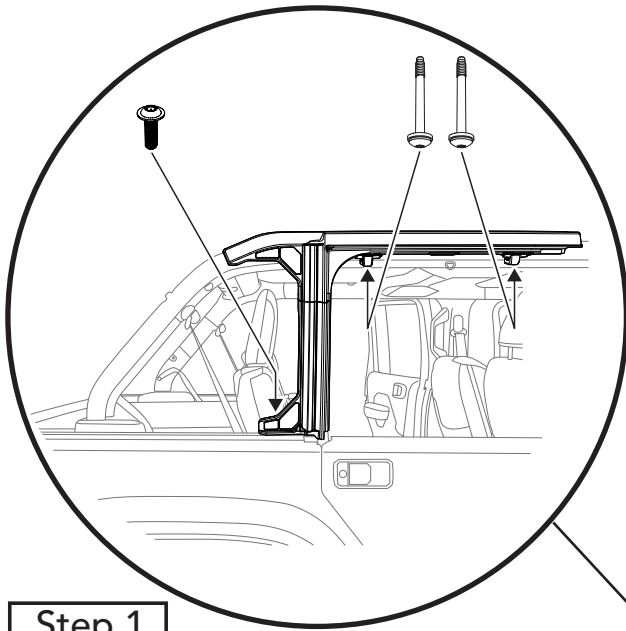
Attach the Tailgate Bar Retainers #575.38 (right) and #573.39 (left) to the Jeep Belt Rail, using one (1) M8x1.25x38 Button Head Socket Cap Screw #532.17 per retainer. Insert the screws through the retainers, and into threaded holes in the top of the Jeep belt rail, and tighten.



Step 1

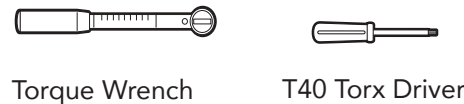
Hardware

Step 2



Step 1

Tools



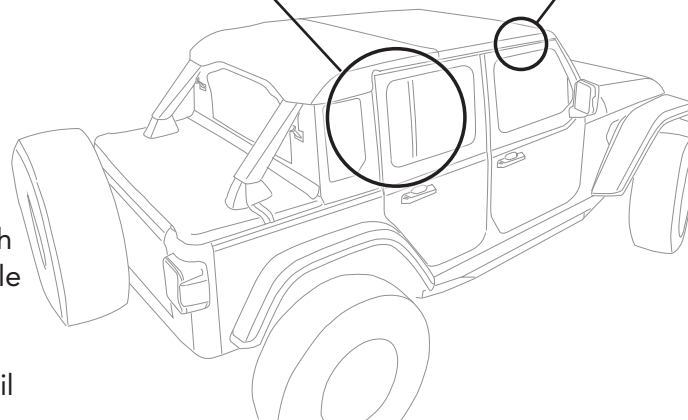
Place each Rear Door Rail Assemblies onto the vehicle just behind the rear doors. Align the hole in the lower portion of the Assembly with the threaded hole in the vehicle belt rail, the alignment pin on the bottom of the Assembly with the receiving hole in the top of the belt rail, and the two integral brackets along the top of the Assembly with the through-holes in the vehicle Sport Bar. Insert two (2) M8x1.25x80 Screws #532.23 up from the bottom of the integral brackets and tighten to 55 in/lb (4.5 ft/lb). Use one (1) M8x1.25x20 screw #573.09 on each Assembly to secure the Assembly to the vehicle belt rail.

Step 2

① Place each Front Door Rail #574.32 (left) and #574.33 (right) on the vehicle, aligning the rail brackets with the through-holes in the vehicles sport bar.
 ② Secure each Front Door Rail to the sport bar using two (2) M8x1.25x80 Socket Cap Screws #532.23. Insert the screws from the bottom and tighten to 55 in/lb (4.5 ft/lb)

Note: Place the passenger side Rear Door Rail in place but do not attach the fasteners at this time.

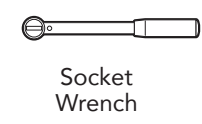
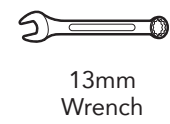
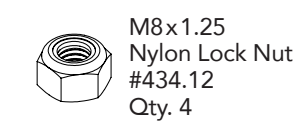
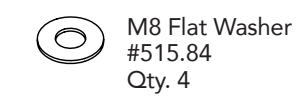
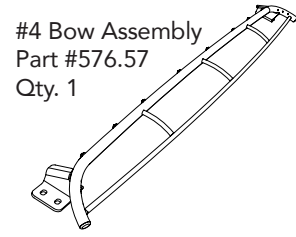
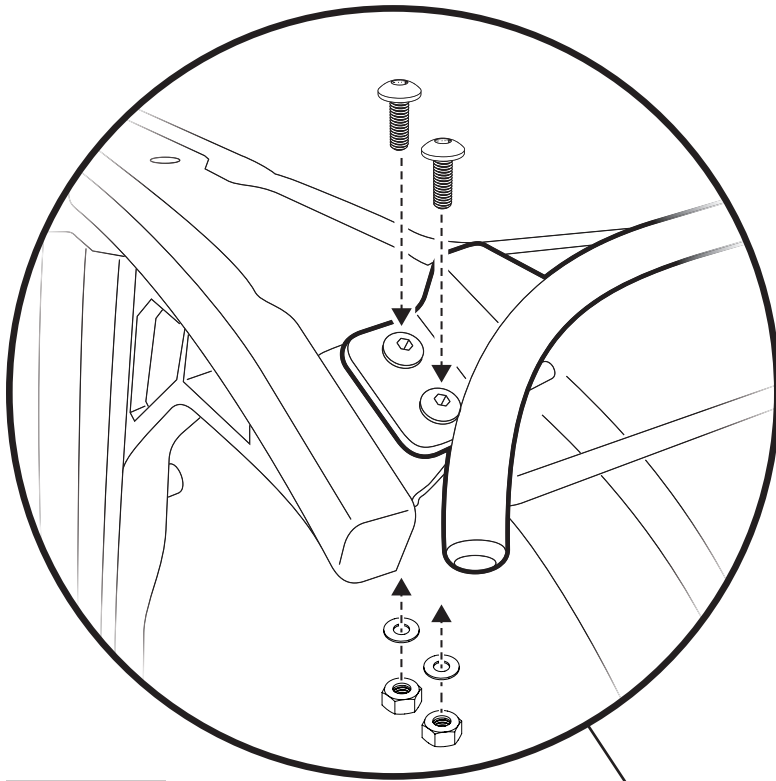
Note: To prevent over torquing, Use a Screwdriver type Torx driver if a torque wrench is not available.



Step 1

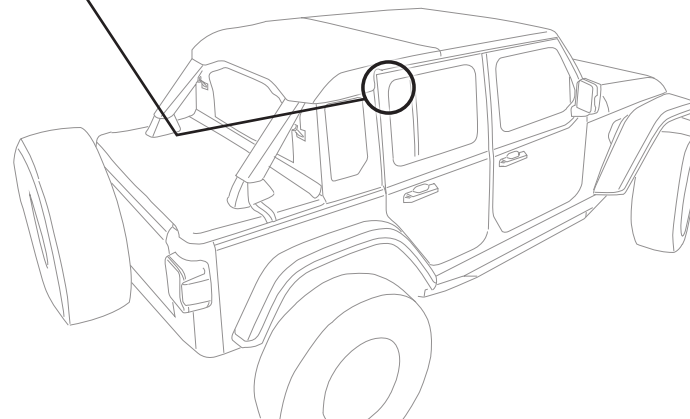
Hardware

Tools

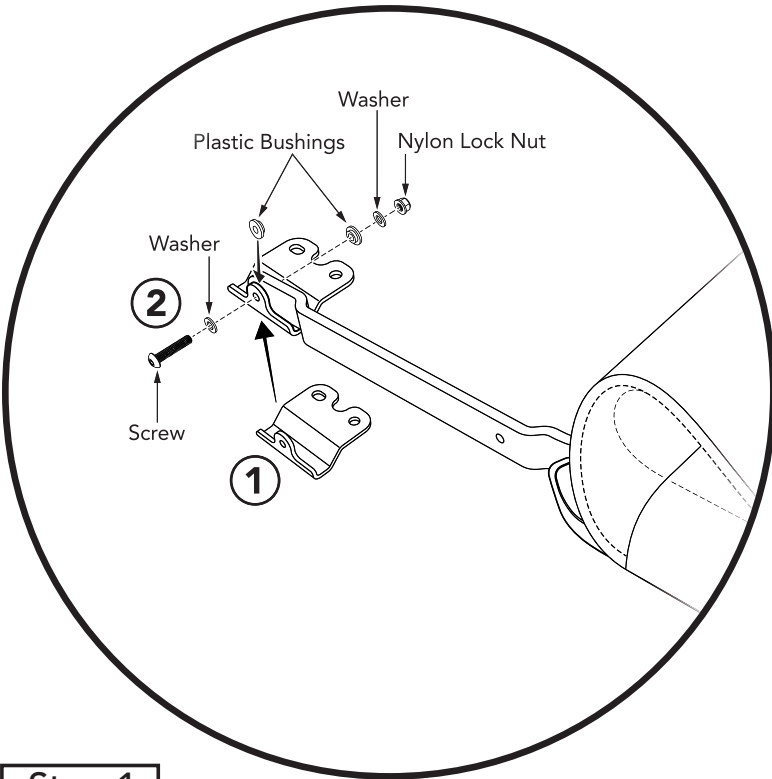


Step 1

Attach the #4 Bow #576.57 to the brackets on the rear of each Rear Door Rail. Secure the #4 Bow to the Rear Door Rail Brackets using two (2) M8x1.25x20 Button Head Cap Screws #431.59, two (2) M8 Flat Washers #515.84, and two (2) M8x1.25 Nylon Lock Nuts #434.12 on each side.



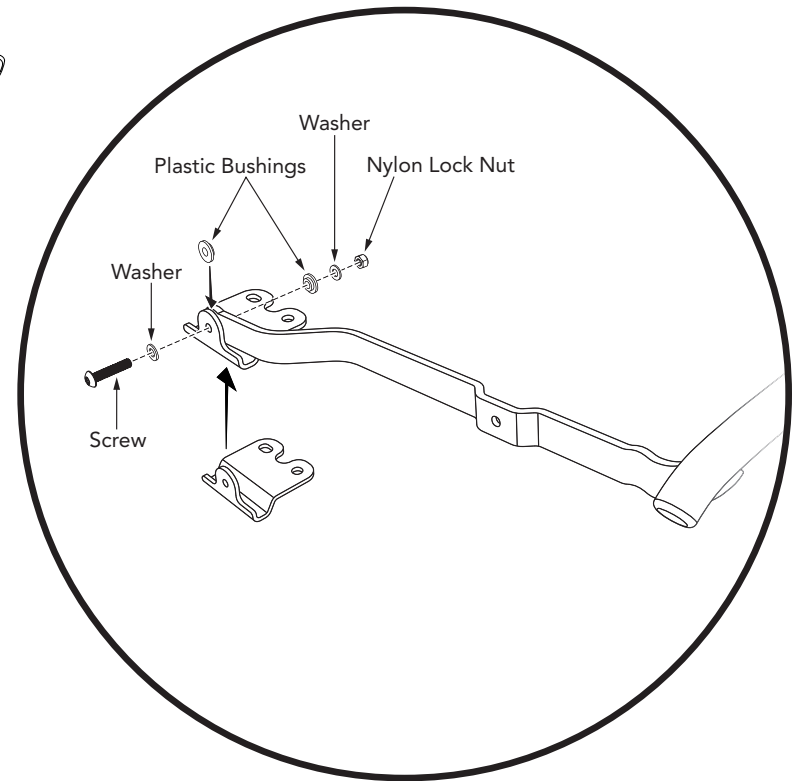
Step 1



Hardware

-  Side Bow Pivot Bracket
Part #579.96
Qty. 2
-  #2 Bow Pivot Bracket
Part #579.95
Qty. 2
-  M5x0.8x25 Button Head Socket Cap Screw
#579.60
Qty. 8
-  M5 Flat Washer
#565.90
Qty. 8
-  Plastic Bushing
#473.40
Qty. 8
-  M5 Nylon Lock Nut
#526.76
Qty. 4

Step 2



Step 1

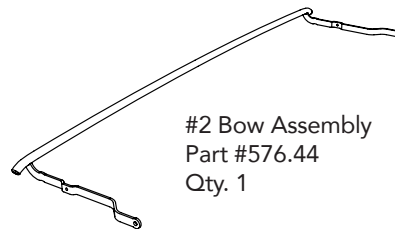
Attach the Side Bow Pivot Brackets #579.96

to the Side Bows on the Header/Deck Assembly #579.05.

The Brackets attach to the end of each Side Bow using one (1) M5x0.8x25 Button Head Socket Cap Screw #579.60, two (2) Bushings #473.40, two (2) M5 Flat Washers #565.90

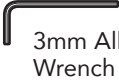

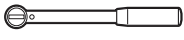

and one (1) M5 Nylon Lock Nut #526.76 on each Side Bow Leg.

The Plastic Bushings go directly on either side of the Side Bow legs, with the larger hole.



#2 Bow Assembly
Part #576.44
Qty. 1

Tools

-  3mm Allen Wrench
-  8mm Wrench
- OR -
-  Socket Wrench
-  8mm Socket

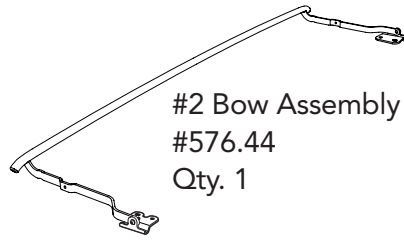
Step 2

Attach the #2 Bow Pivot Brackets #579.95 to the #2 Bow #576.44.

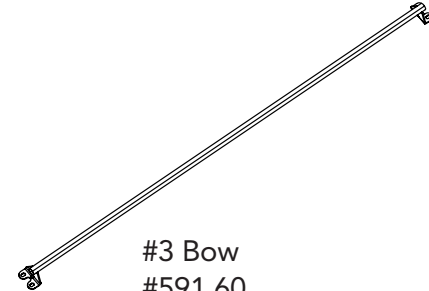
The Brackets attach to the end of each #2 Bow leg using one (1) M5x0.8x25 Button Head Socket Cap Screw #579.60, two (2) Bushings #473.40, two (2) M5 Flat Washers #565.90 and one (1) M5 Nylon Lock Nut #526.76 on each Side Bow Leg. The Plastic Bushings go directly on either side of the Side Bow legs, with the larger hole.

Step 1

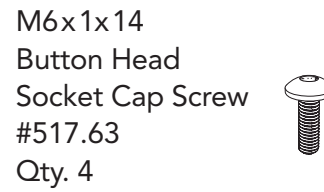
Hardware



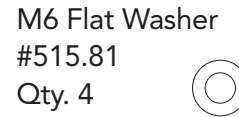
#2 Bow Assembly
#576.44
Qty. 1



#3 Bow
#591.60
Qty. 1



M6x14
Button Head
Socket Cap Screw
#517.63
Qty. 4

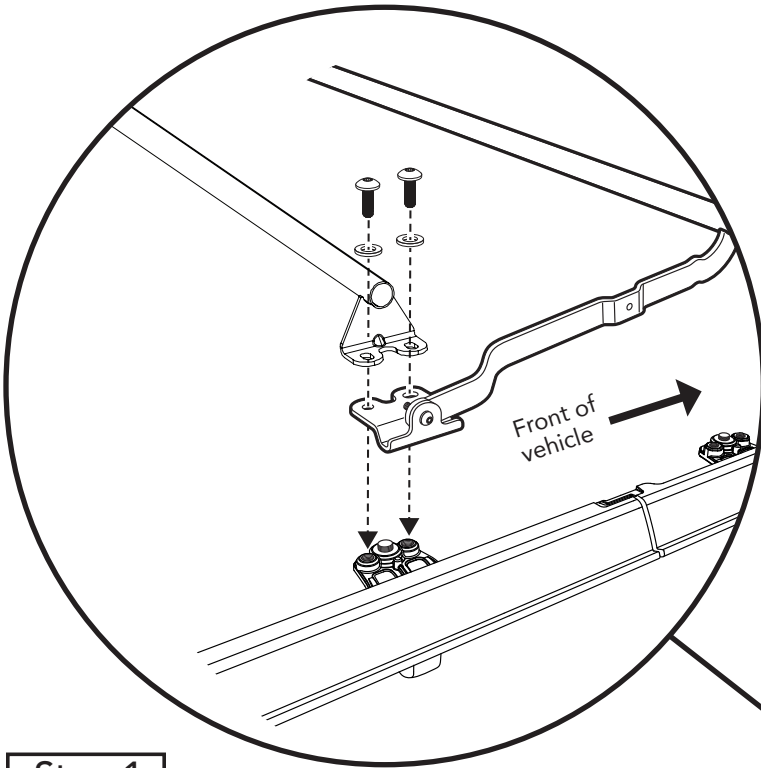


M6 Flat Washer
#515.81
Qty. 4

Tools

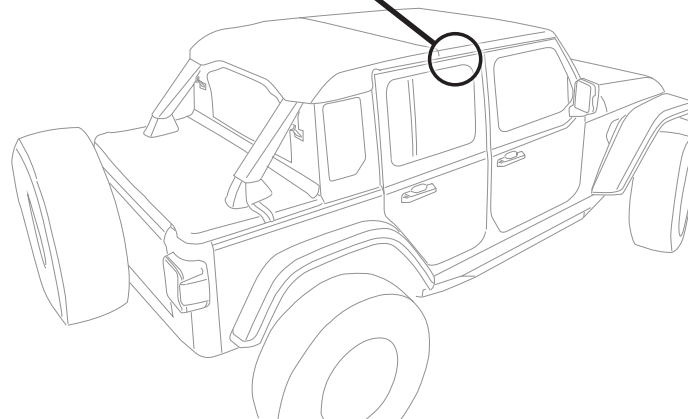


4mm Allen
Wrench



Step 1

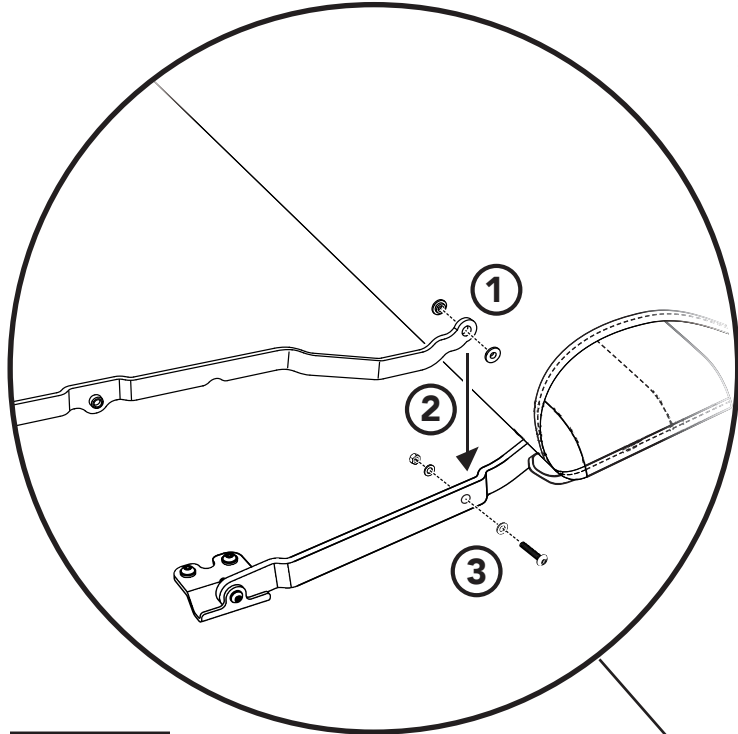
Attach the #2 Bow Assembly and the #3 Bow Assembly #591.60 to the top of the Rear Door Rail front brackets using two (2) M6x14 Button Head Cap Screws #517.63 and two (2) M6 Flat Washers #515.81 on each side of the Jeep.



Step 1

Hardware

Step 2



#2 Bow Link Assembly
#576.15 - Left
Qty. 1

M5x0.8x25
Button Head
Socket Cap Screw
#579.60
Qty. 2



#2 Bow Link Assembly
#576.16 - Right
Qty. 1

Plastic Bushing
#473.40
Qty. 4

M5 Flat Washer
#565.90
Qty. 4

M5 Nylon
Lock Nut
#526.76
Qty. 2

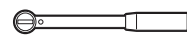
Tools

3mm Allen
Wrench



8mm
Wrench

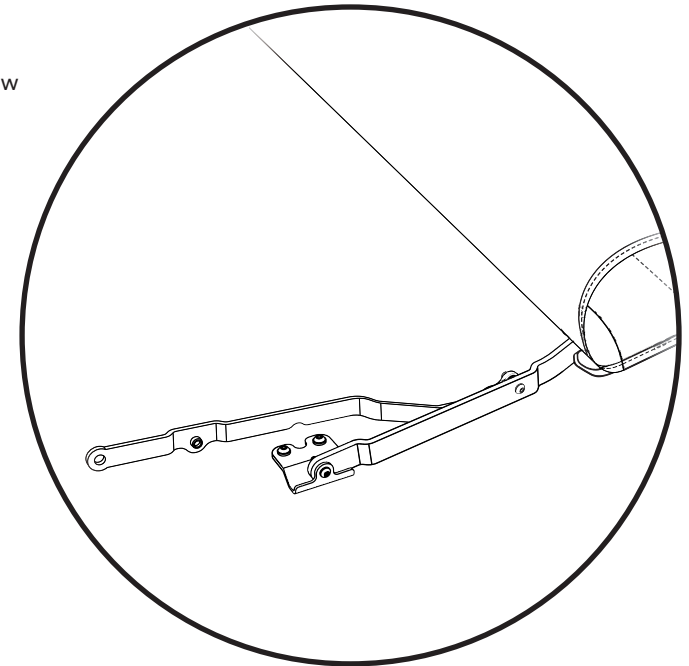
- OR -



Socket
Wrench



8mm
Socket



Step 1

Attach the Bow Link Assemblies #576.15 (left) and #576.16 (right) to the Side Bow.

① Place a Plastic Bushing #473.40 on either side of the Bow Link with the larger hole.

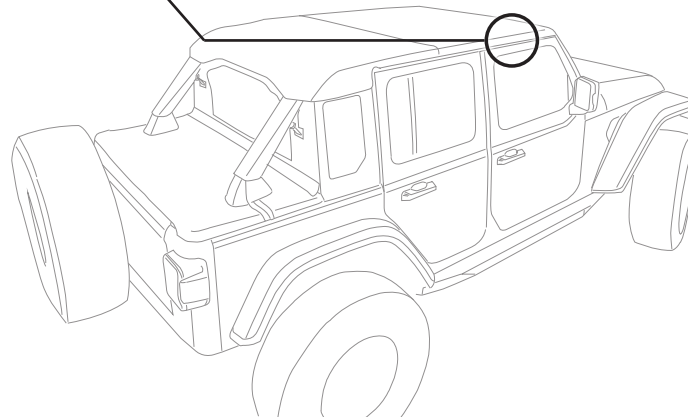
② Align the Bow Link with Bushings with the hole in the Side Bow.

③ Secure the Bow link with one (1) M5x0.8x25 Button Head Socket Cap Screw #579.60, two (2) M5 Flat Washers #565.90, and one (1) M5 Nylon Lock Nut #526.76.

Attach a Bow Link Assembly to each Side Bow.

Step 2

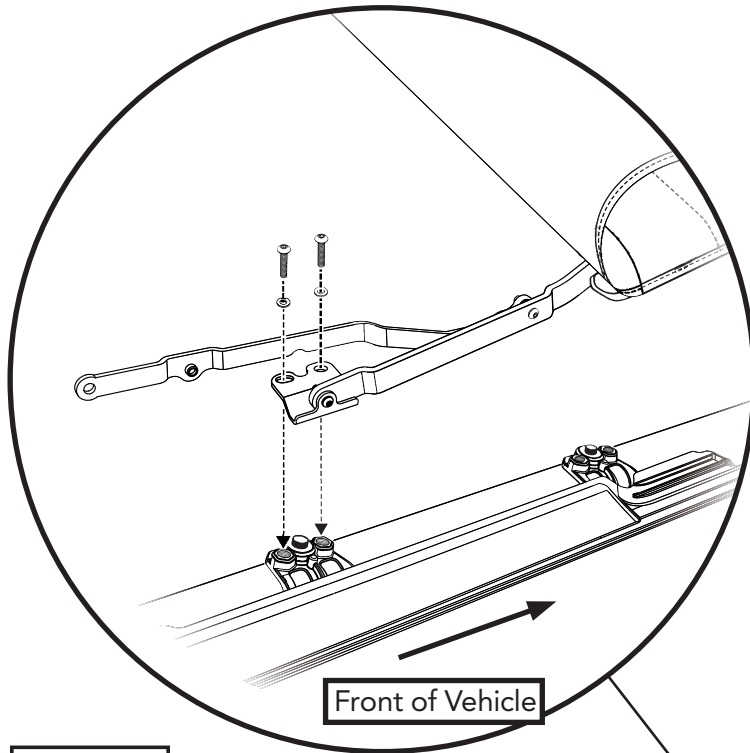
Header/Deck and Side Bow Assembly is now ready to install on the vehicle.



Step 1

Hardware

Step 2



M6x14
Button Head
Socket Cap Screw
#517.63
Qty. 4



M6 Flat Washer
#515.81
Qty. 4



M5x0.8x25
Button Head
Socket Cap Screw
#579.60
Qty. 2



Plastic Bushing
#473.40
Qty. 4



M5 Flat Washer
#565.90
Qty. 4



M5 Nylon
Lock Nut
#526.76
Qty. 2

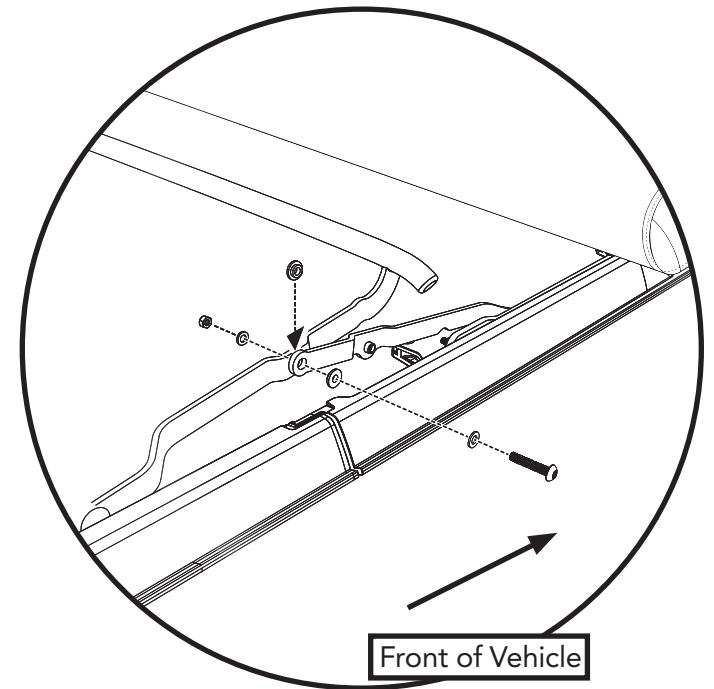
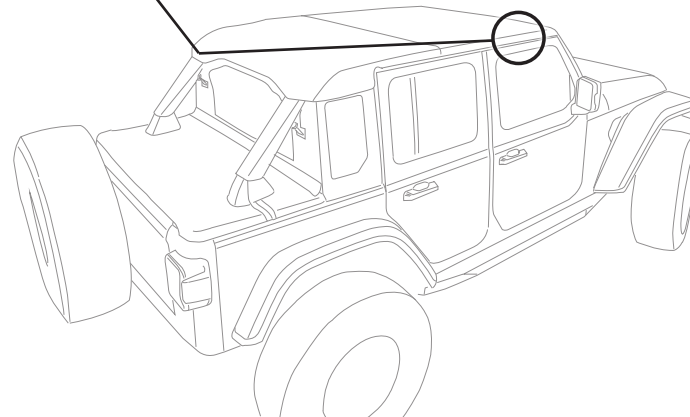


Tools

3 - 4mm Allen
Wrenches



8mm Wrench



Front of Vehicle

Step 2

Step 1

Lift the Header/Deck-Side Bow Assembly onto the top of the Jeep, resting the Header on top of the Jeep windshield header.

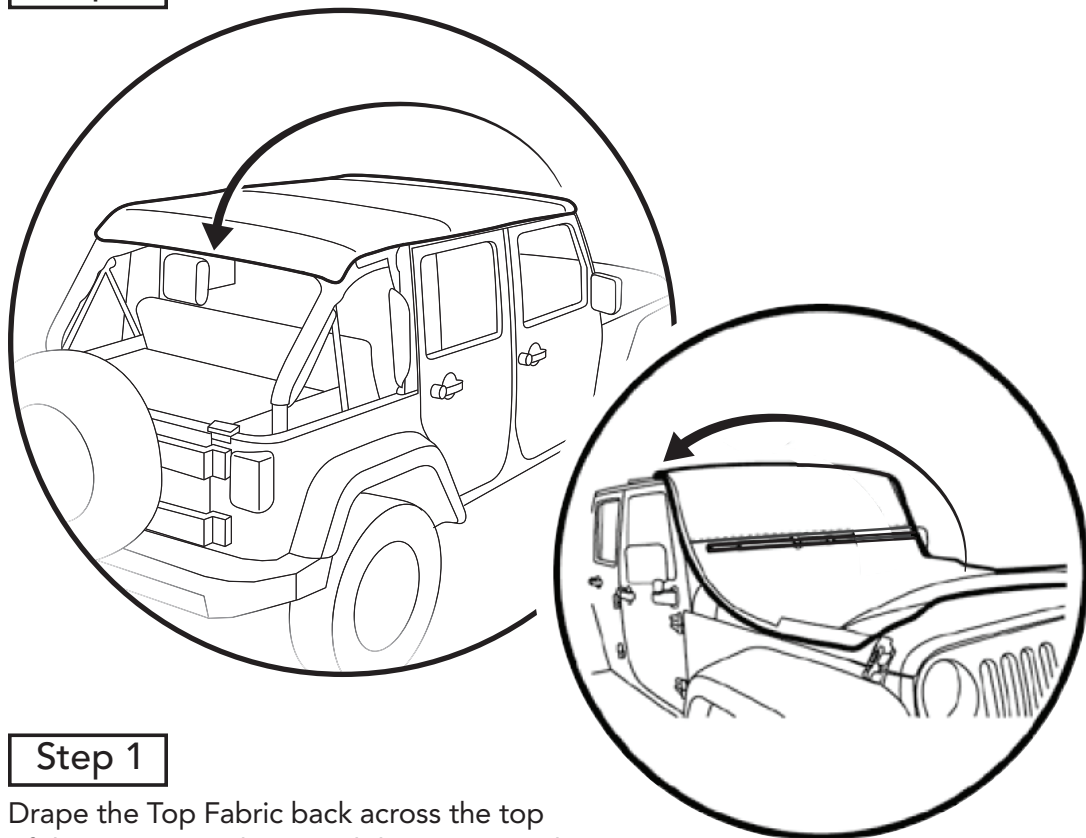
Attach the #Header/Deck/Side Bow Assembly to the top of the Front Door Rail rear brackets. Secure the Side Bow to the top of the brackets using two (2) M6x14 Button Head Cap Screws #517.63 and two (2) M6 Flat Washers #515.81 on each side of the vehicle.

Attach the Bow Link Assemblies to the #2 Bow.

Align the holes in the Bow Link and the #2 Bow, and place a Plastic Bushing #473.40 in between the Bow Link and the #2 Bow.

Secure the Bow link with one (1) M5x0.8x25 Button Head Socket Cap Screw #579.60, two (2) M5 Flat Washers #565.90, and one (1) M5 Nylon Lock Nut #526.76. Attach a Bow Link to each Side Bow.

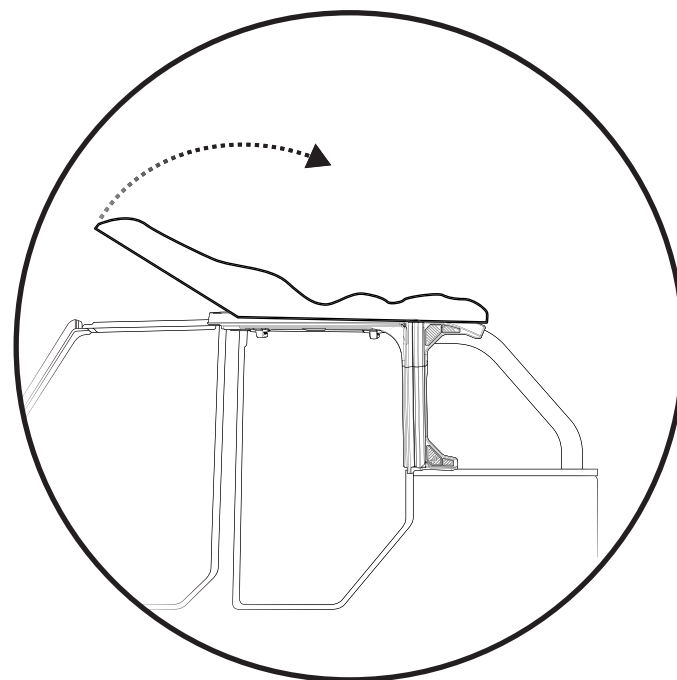
Step 1



Step 1

Drape the Top Fabric back across the top of the Jeep sport bars, and the #2, #3, and #4 Bows.

Step 2

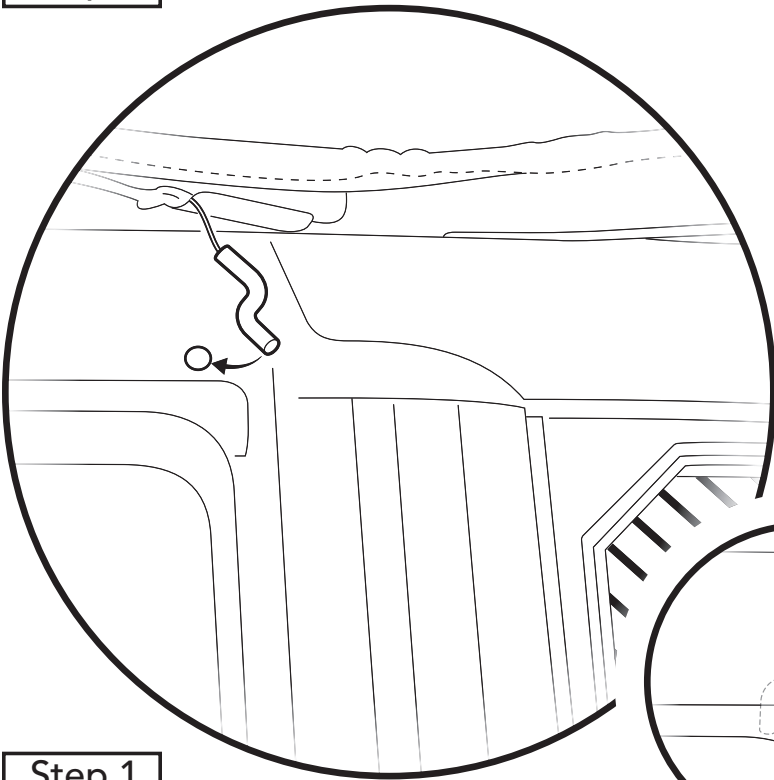


Step 2

Open the Sunrider.



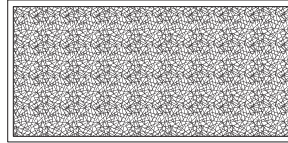
Step 1



Step 1

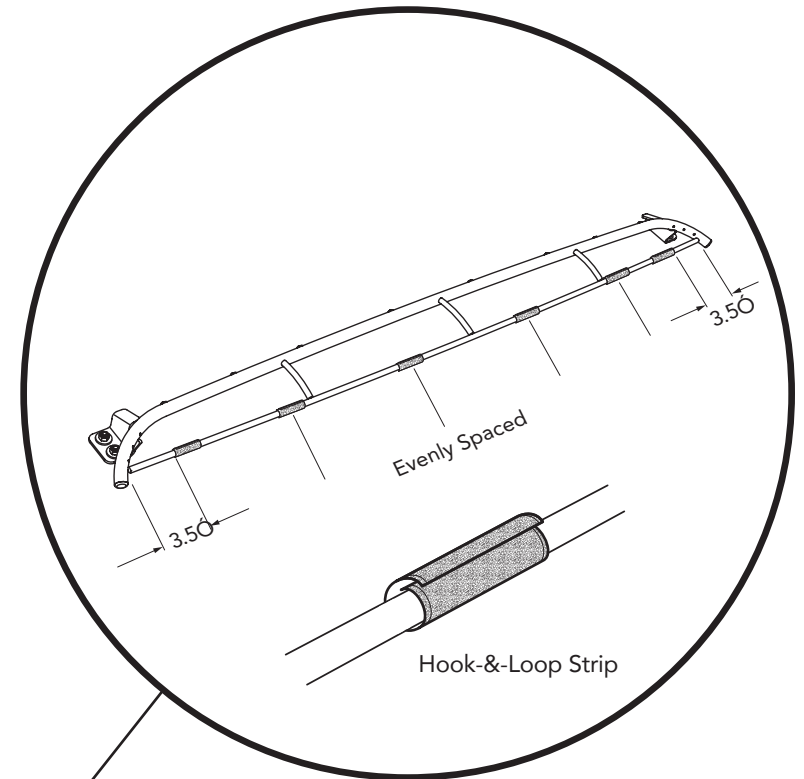
Locate the Z-Clips, which extend out from the edge of the top fabric just above the Rear Door Rail on each side of the Jeep. Attach the Z-Clips to the Rear Door Rails by inserting the end of the clip into the hole in each Rear Door Rail.

Hardware



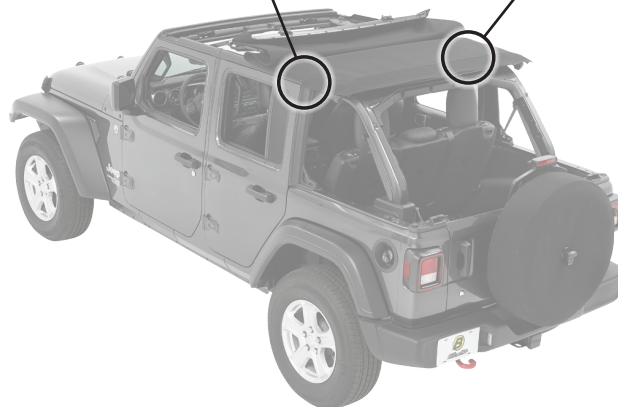
2.5" x 2" Hook-&-Loop Strip
#592.35
Qty. 6

Step 2

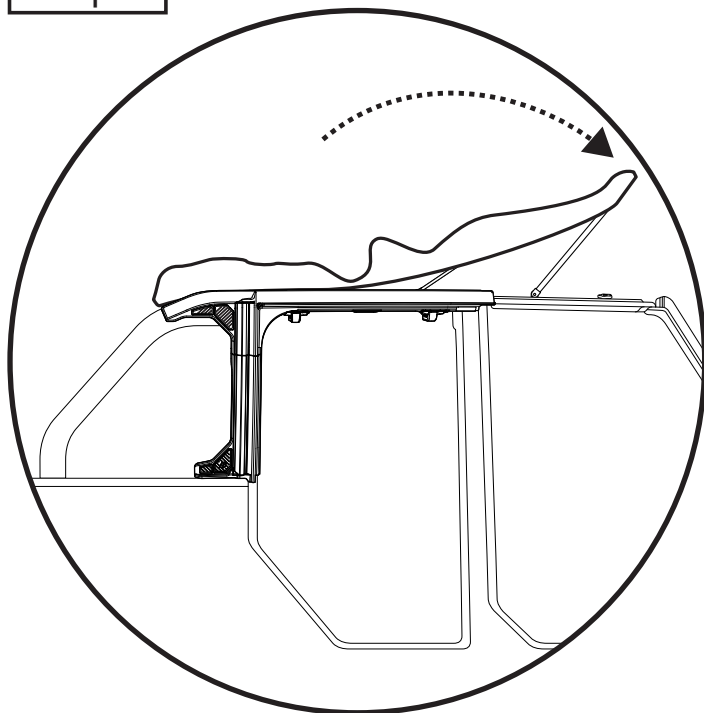


Step 2

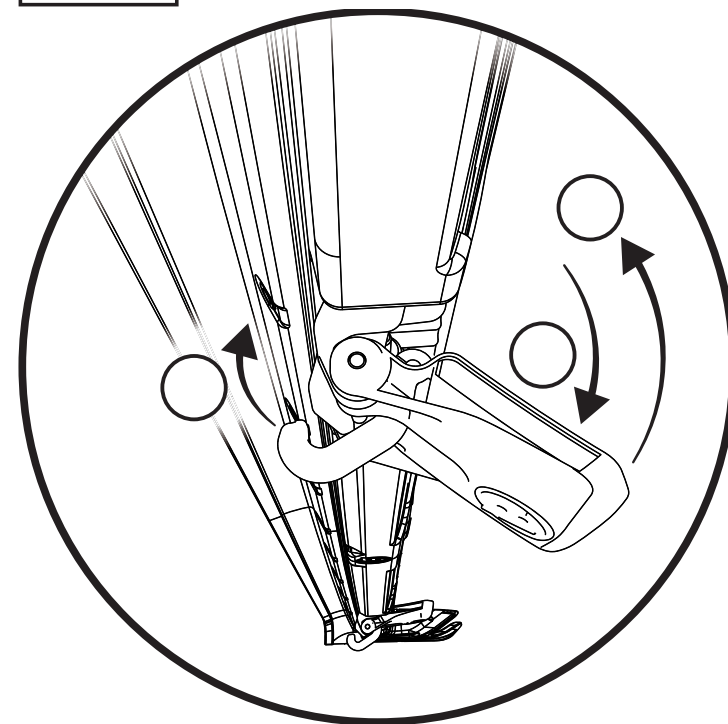
Attach the six (6) Hook-&-Loop Strips #592.35 to the #5 Bow as shown above. Wrap the Hook-&-Loop Strips around the cross-bars of the #5 Bow attaching one side of each strip to the opposite side. Make sure that the "hook" side ("scratchy side") of each wrapped strip is on the outside, so that it will adhere to the "loop" strip on the underside of the top fabric.



Step 1



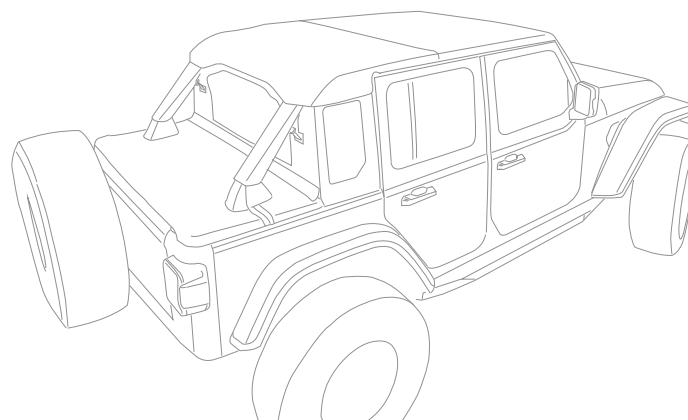
Step 2



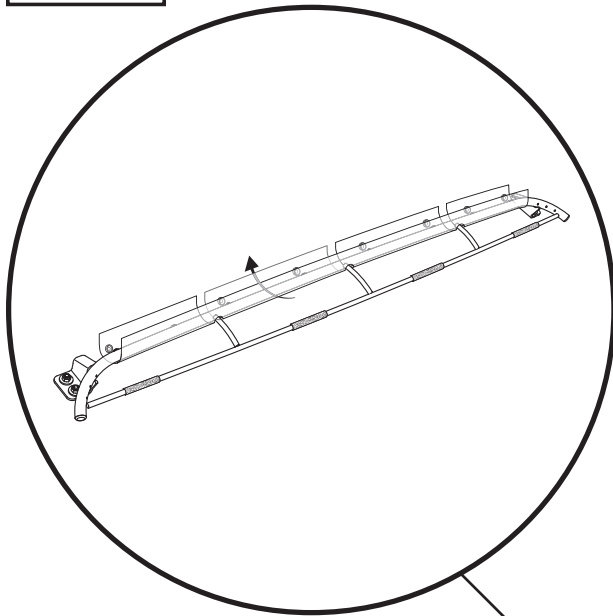
Steps 1 & 2

Fold the Sunrider closed and secure both latches to the vehicle's windshield header.

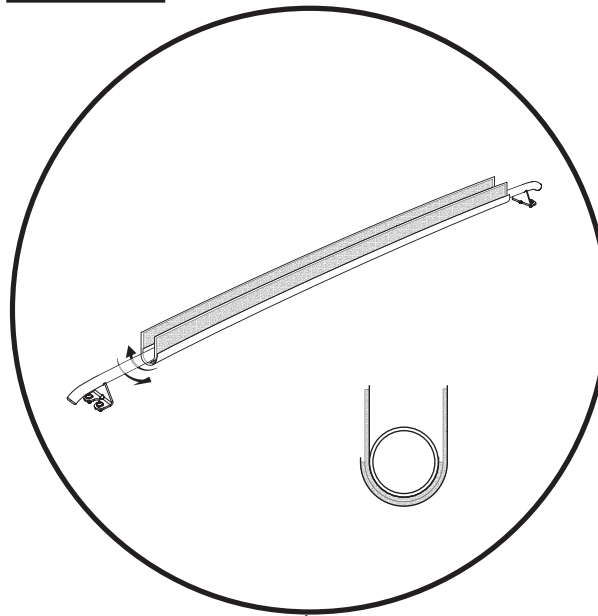
- ① Pivot the latch handle down;
- ② Engage the hook;
- ③ Pivot the latch handle back up.



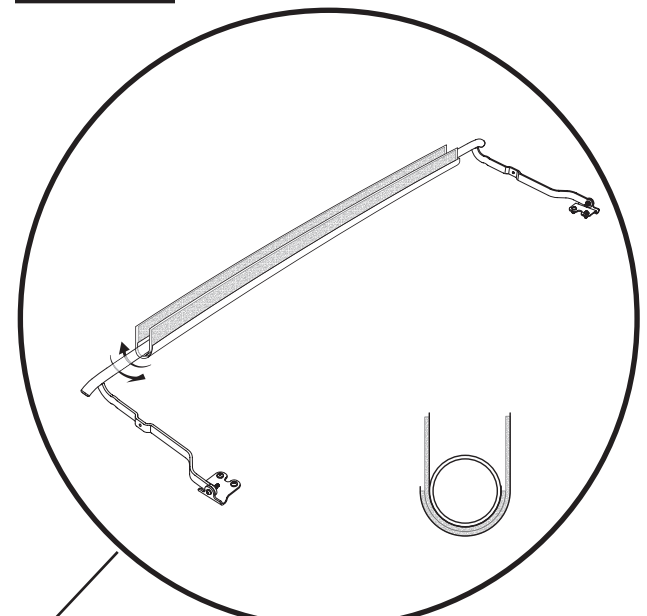
Step 1



Step 2



Step 3



Step 1

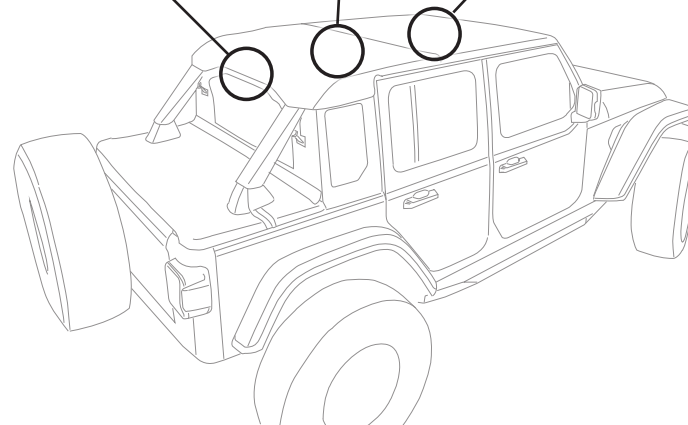
Locate the four flaps sewn to the inside of the fabric top just above the #5 Bow. Wrap these flaps around the #5 Bow from back-to-front, and snap to the snaps on the front side of the #5 Bow.

Step 2

Locate the two fabric flaps sewn to the inside of the fabric top just above the #4 Bow. Wrap these flaps around the #4 Bow so that the Hook side of one flap attaches to the Loop side of the other flap.

Step 3

Locate the two fabric flaps sewn to the inside of the fabric top just above the #2 Bow. Wrap these flaps around the #2 Bow so that the Hook side of one flap attaches to the Loop side of the other flap.



Vehicles with Latch Tabs

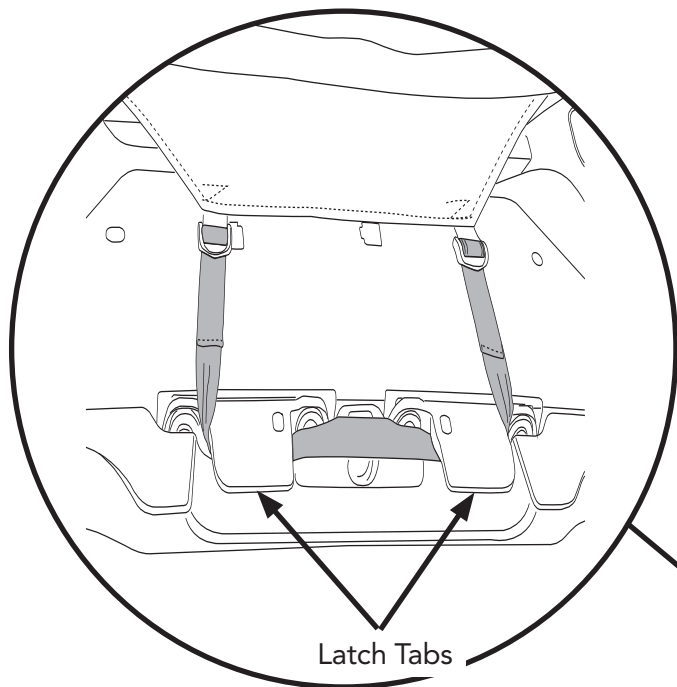
Parts



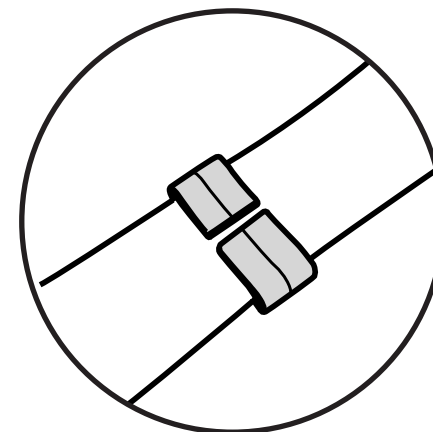
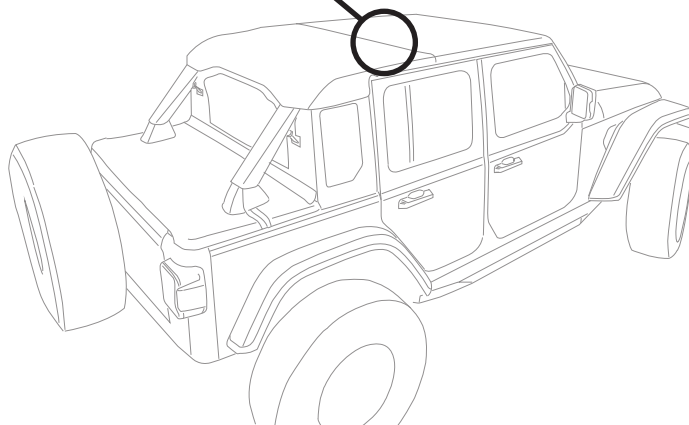
30 inch Nylon Strap
Part #629.63
Qty. 1



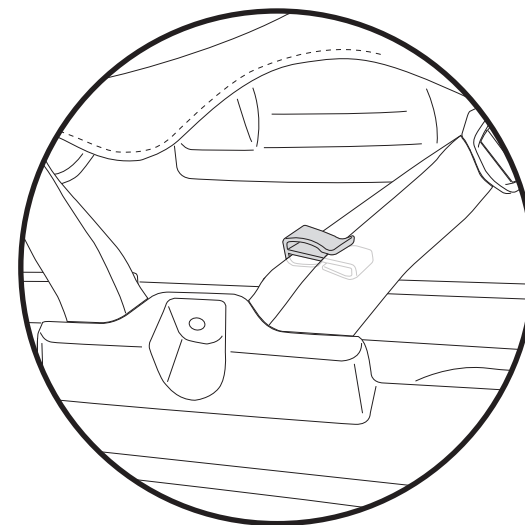
Strap Clip
#338.24
Qty. 2



Loosely thread the 30 inch Nylon Strap through the two buckles on the center flap (Located on the inside of the main top)
Locate the two tabs that the rear latches of the Freedom Panels latch to. Wrap the 30 inch Nylon Strap underneath the tabs then pull the strap (at the buckles) until snug.



Place the lower strap between the two tabs on the lower side of the clip.



Place the upper strap into the single tab on the top of the clip.

Repeat on the other side of the strap.

Vehicles without Latch Tabs

Tools

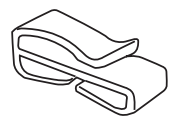


T25 Torx Driver

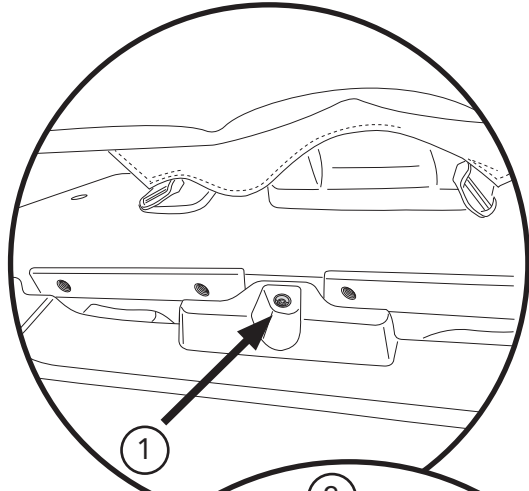
Parts



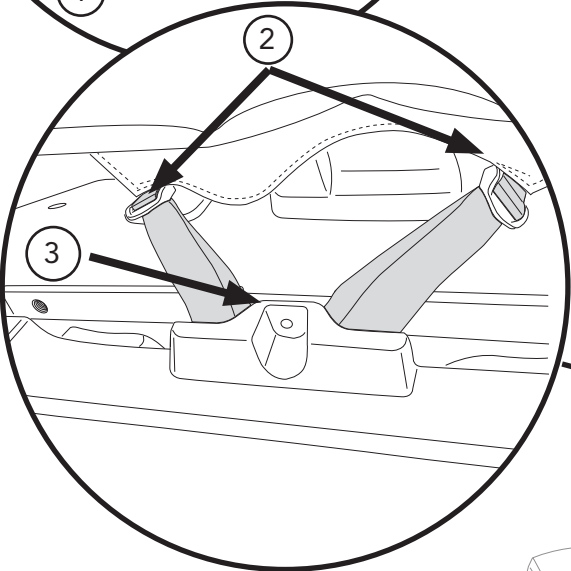
30 inch Nylon Strap
Part #629.63
Qty. 1



Strap Clip
#338.24
Qty. 2



1

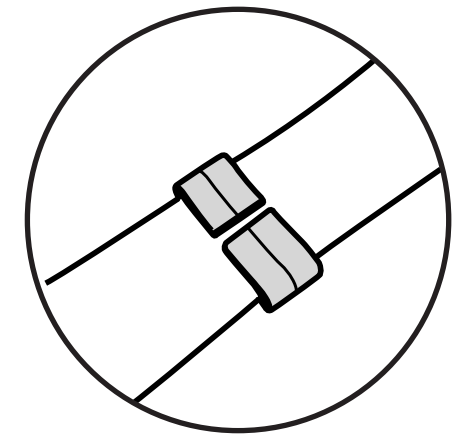


2

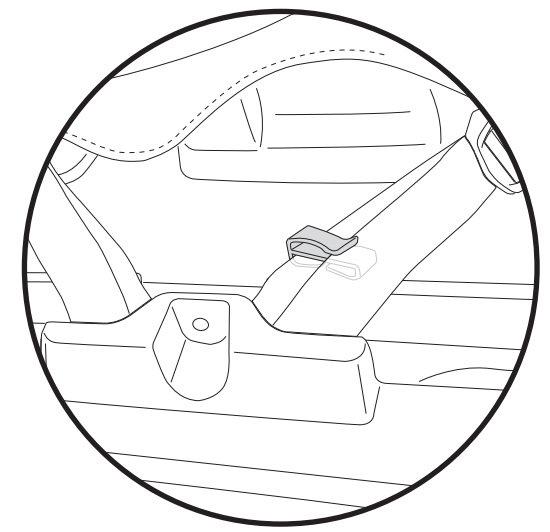
3

- ① Remove screw from center of plastic trim piece.
- ② Thread the Strap into the buckles on the Center Flap.
- ③ Pull back on plastic enough to slide the strap down below the hole for the screw.

Replace the screw.

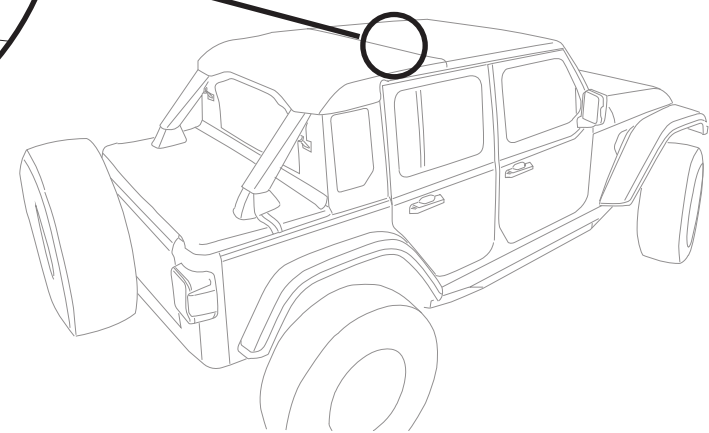


Place the lower strap between the two tabs on the lower side of the clip.

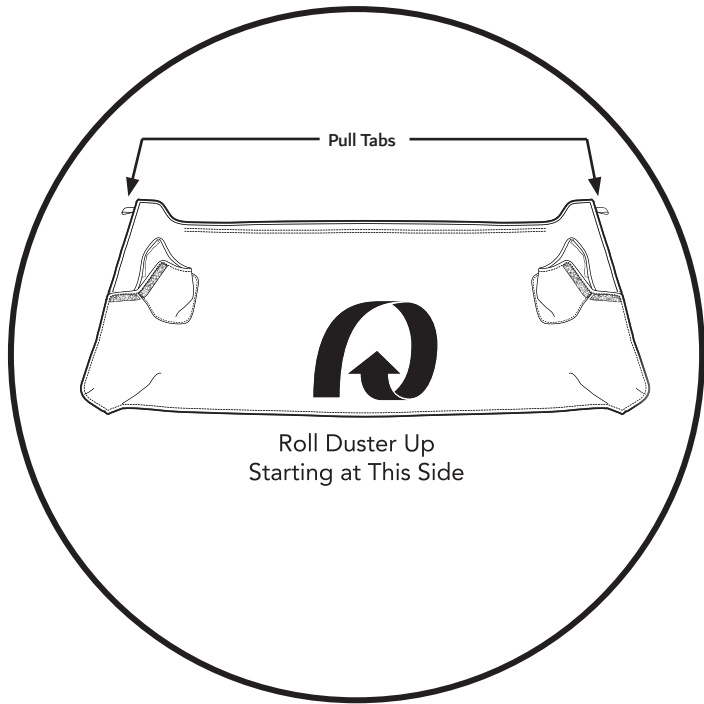


Place the upper strap into the single tab on the top of the clip.

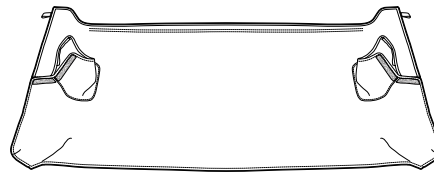
Repeat on the other side of the strap.



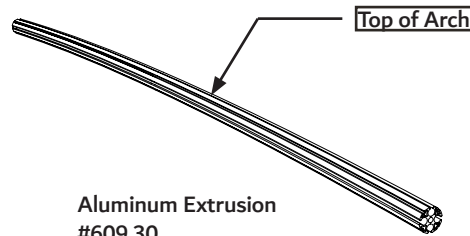
Step 1



Hardware

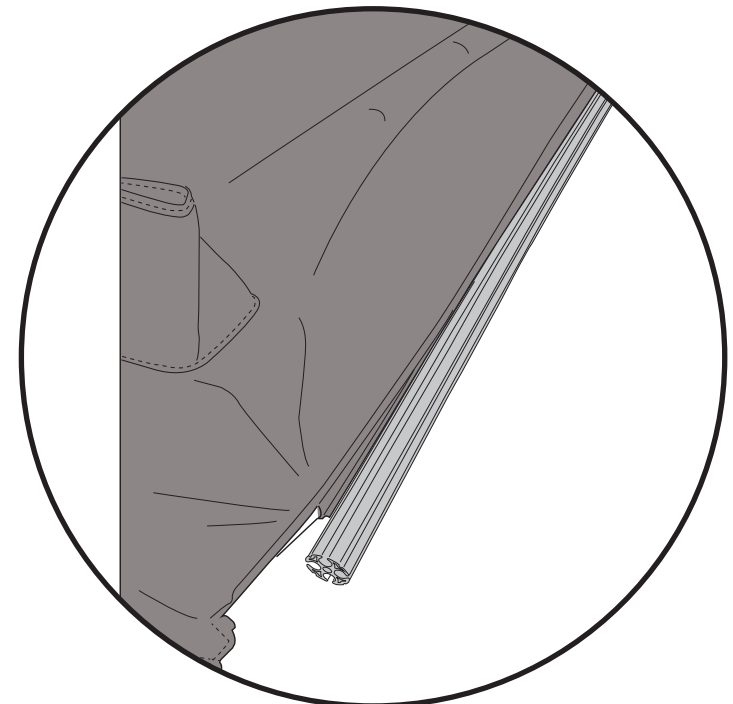


Duster
Qty. 1



Aluminum Extrusion
#609.30
Qty. 1

Step 2



Step 1

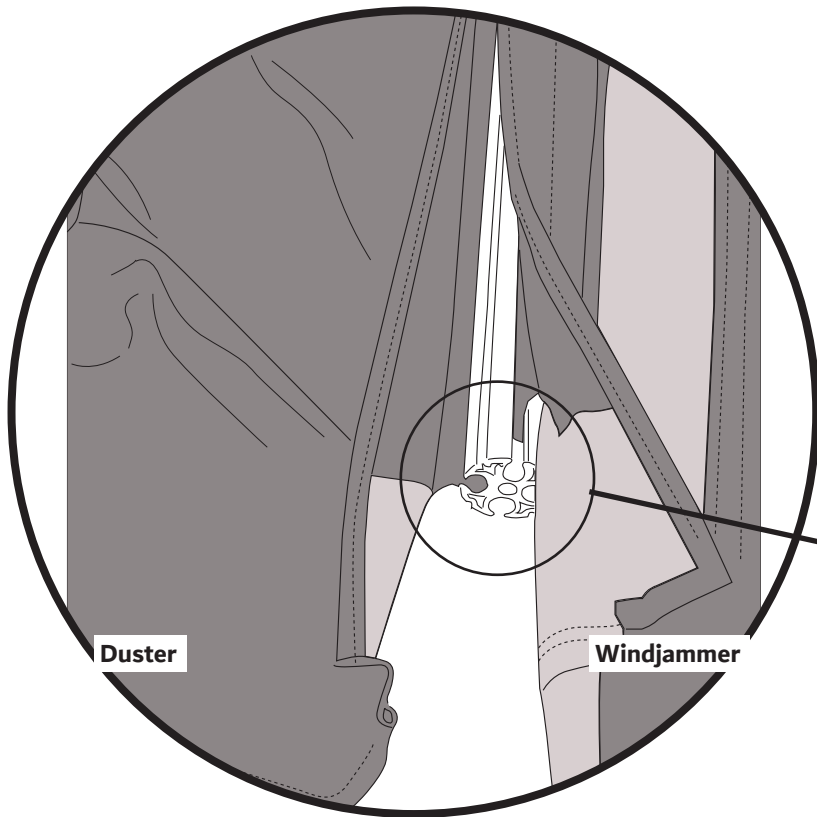
Starting on the side of the duster without the pull tabs, roll the Duster up loosely. The side of the Duster with the pull tabs is the front edge.

Step 2

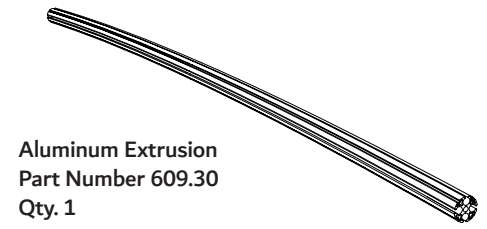
With the Duster loosely rolled up, slide the P-Extrusion along the exposed front edge of the Duster into the top slot of the Extruded Aluminum Bow, using the slot in the Bow that is on top of the arch and facing up.

NOTE: Aluminium Extrusion has an arch. The Duster should be in the top part of the arch.

Step 1

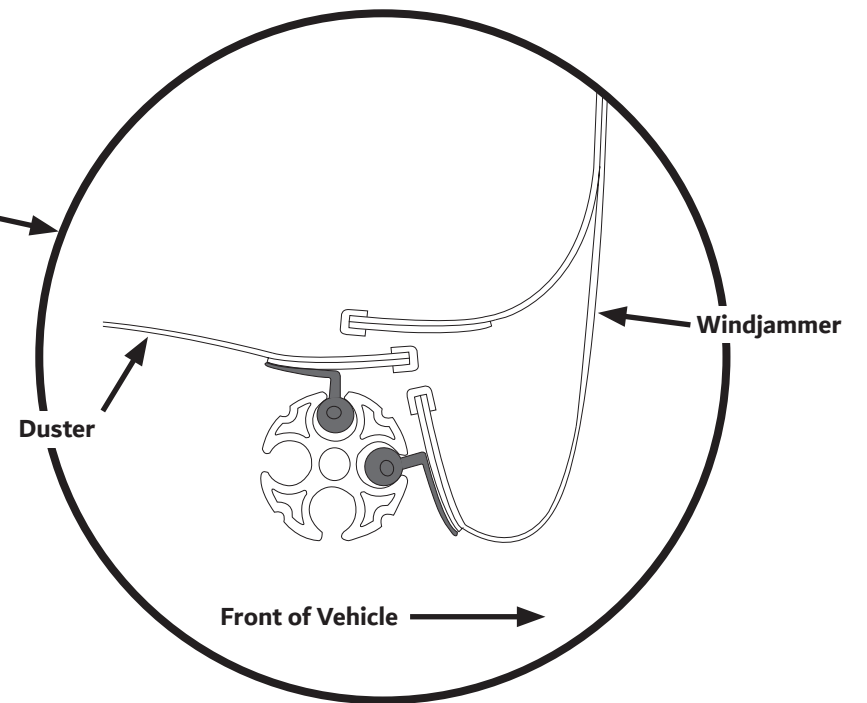


Hardware

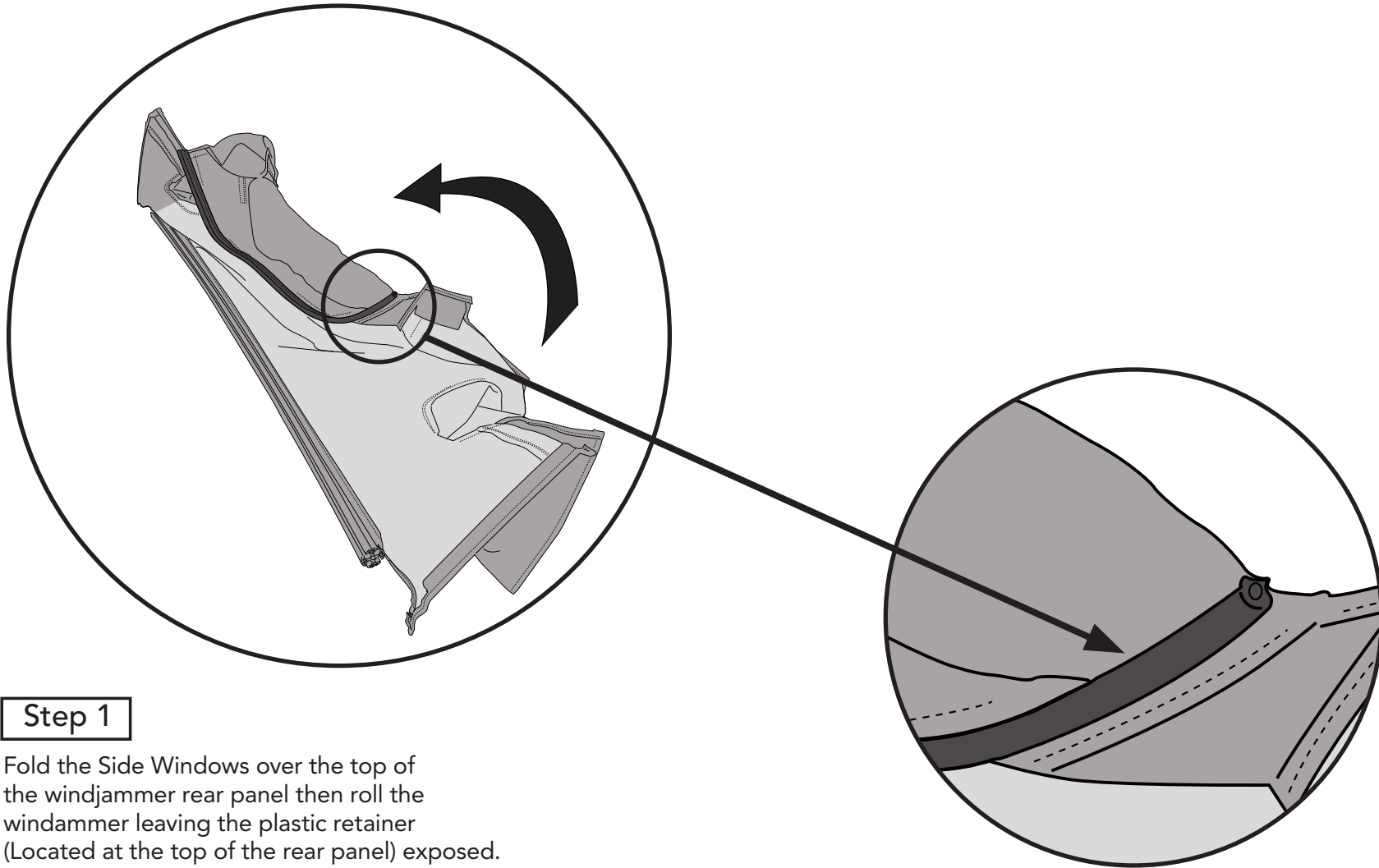


Step 1

Slide the sewn in P-extrusion into the front channel of the Aluminium Extrusion (Part #609.30).



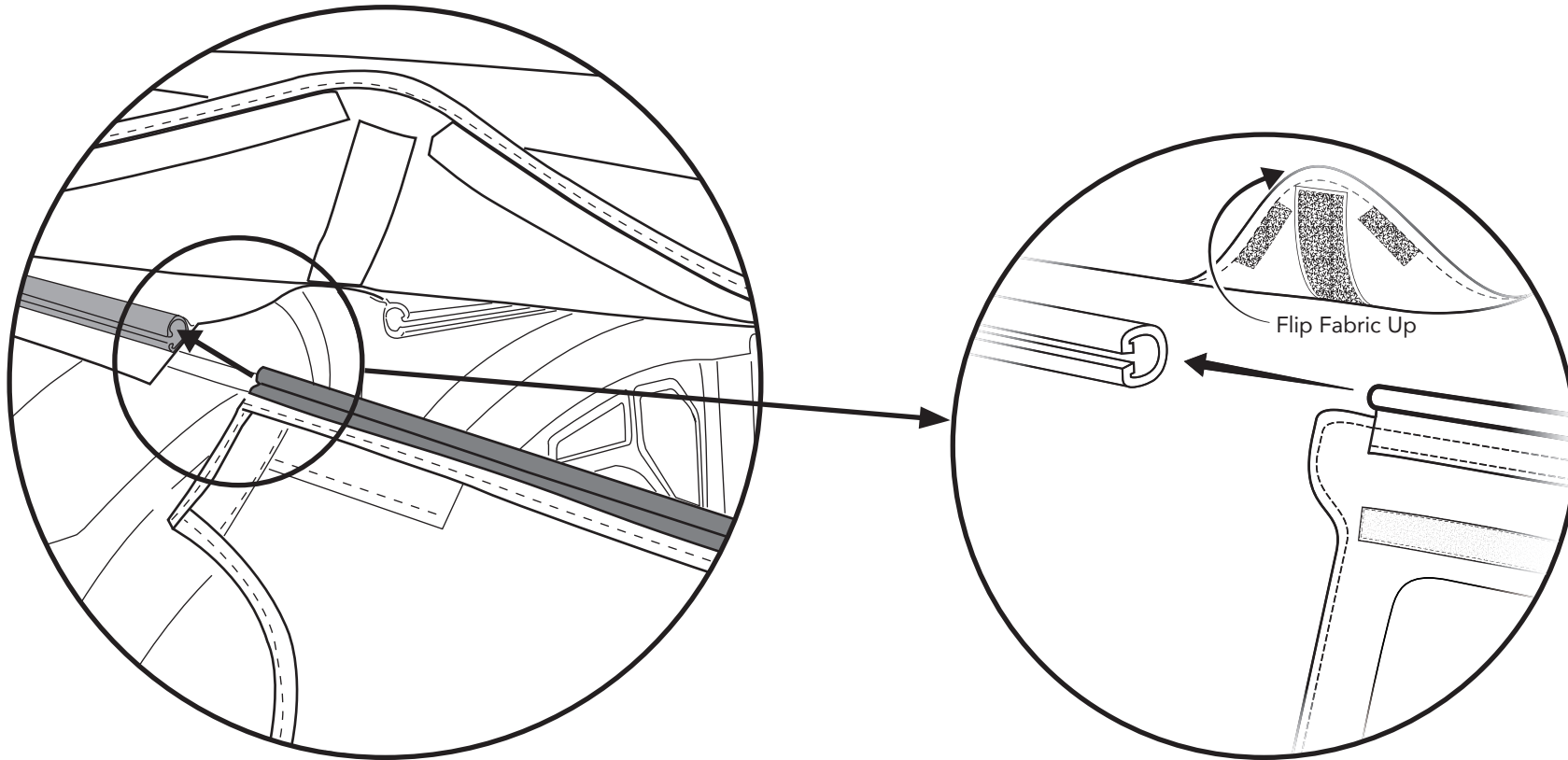
Step 1



Step 1

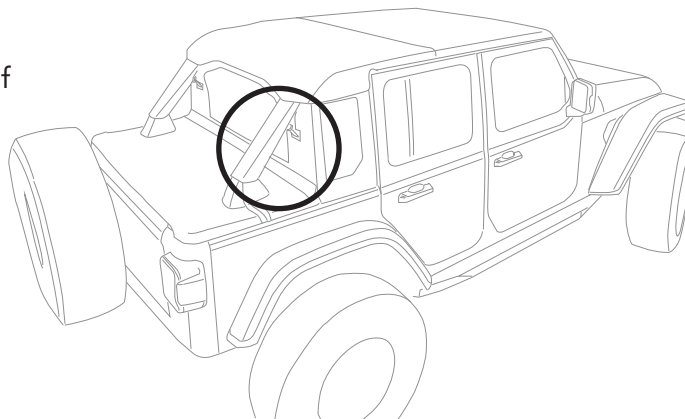
Fold the Side Windows over the top of the windjammer rear panel then roll the windjammer leaving the plastic retainer (Located at the top of the rear panel) exposed.

Step 1

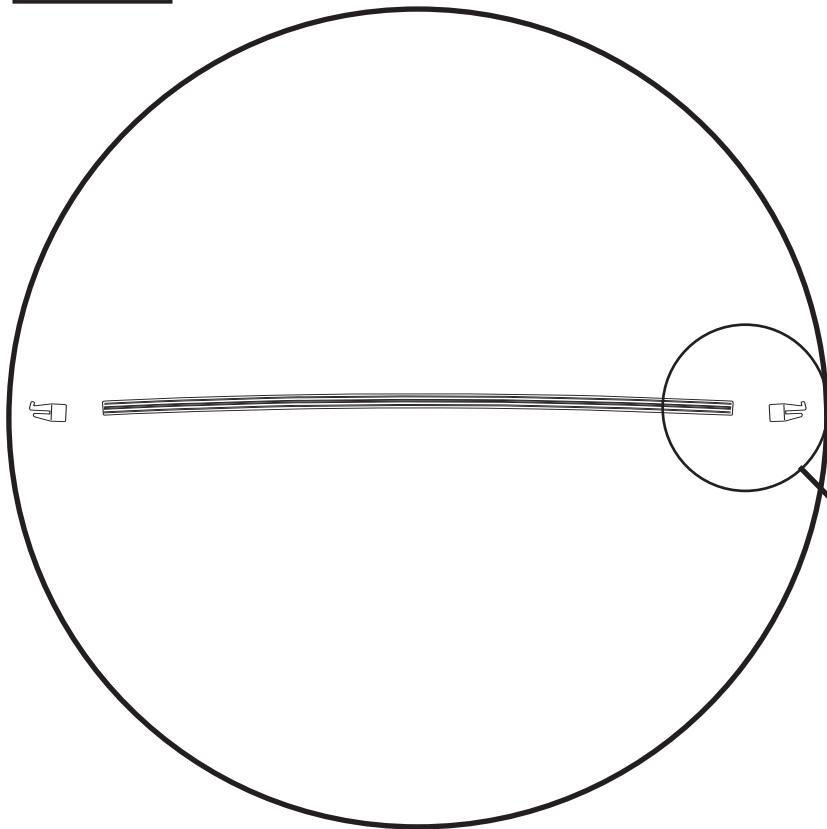


Step 1

Slide the Rubber Retainer located at the top of the Windjammer into the Plastic "C" channel located at the rear of the Top (Under the rear flap) until the Windjammer is centered on the Top.

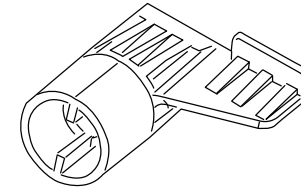


Step 1

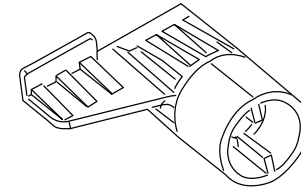


Hardware

Plastic End Cap - Left
Bestop Part #593.71
Qty. 1

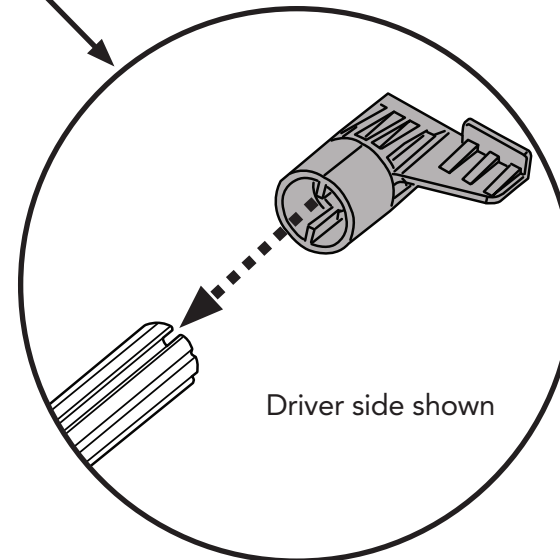


Plastic End Cap - Right
Bestop Part #592.66
Qty. 1



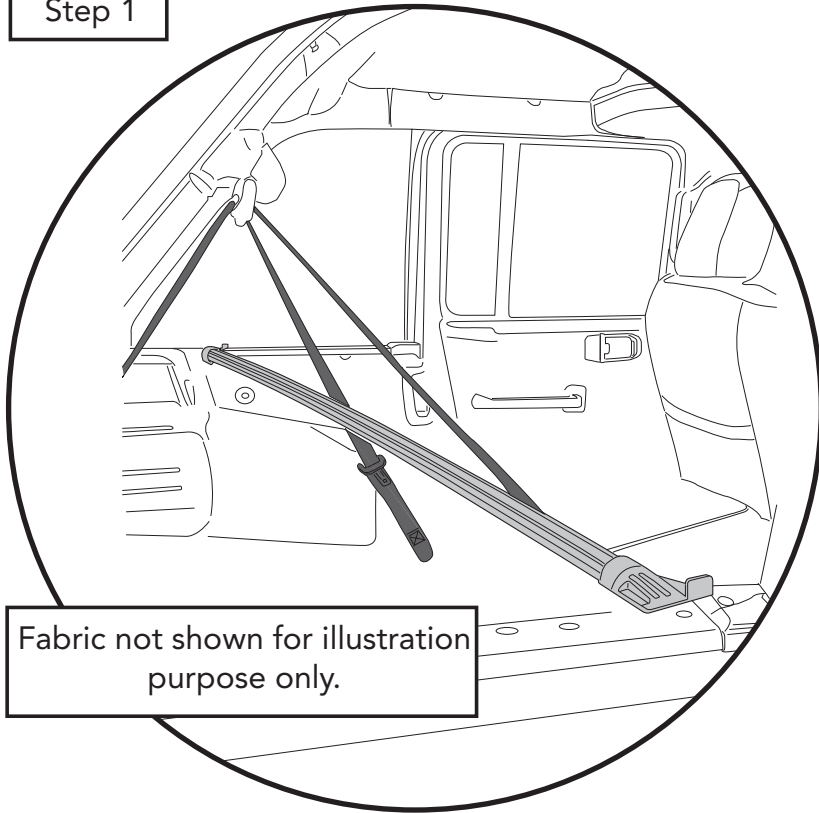
Step 1

Place the Plastic End Caps (Part # 593.71) on the passenger side of the Aluminium Extrusion and (Part # 592.66) on the driver side. The internal ribs inside the round opening of each end cap will slide into the slots on the top and bottom of the aluminum extrusion.

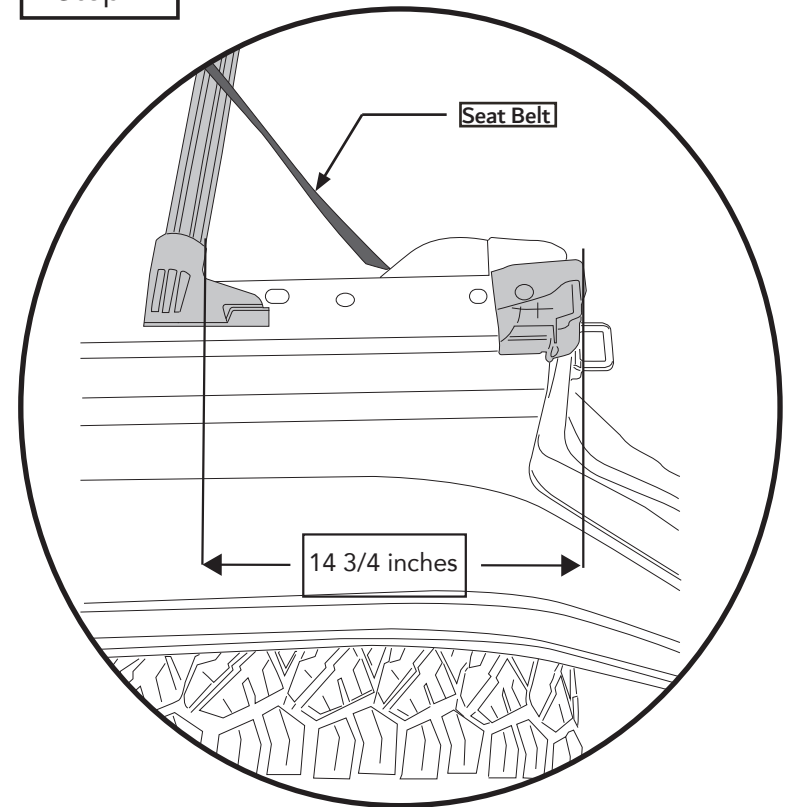


NOTE: The Wing must go towards the front of the vehicle with the Tab pointing up.

Step 1



Step 2

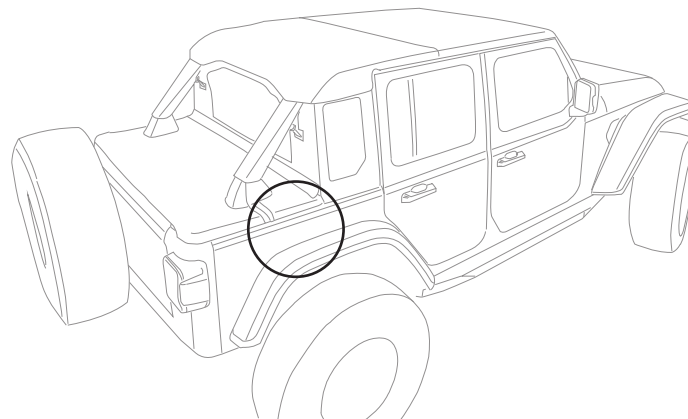


Step 1

Fold both rear seats forward. (Refer to Owners Manual)
 Set End Cap as far rearward on the driver side then set the other end cap as far forward as possible on the passenger side. You will have to move the lower leg of the Rear Door Rail away from the body to get the passenger side clip started.

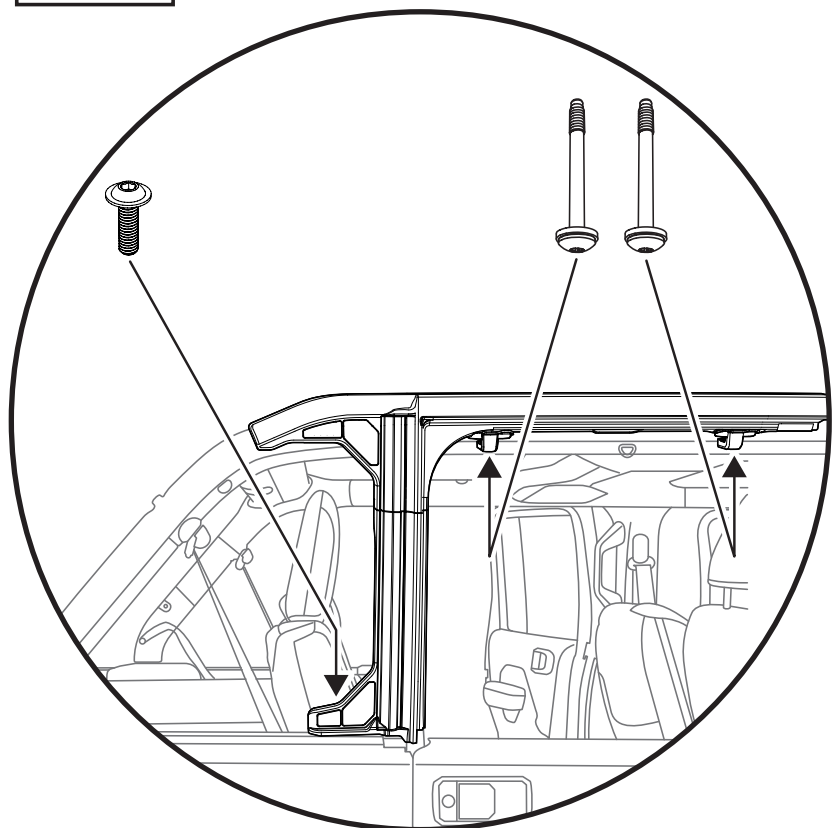
NOTE: You must place the Extrusion and Fabric Assemblies through the Seat Belts to properly install the Duster and the Wind-jammer.

Step 2



Slide the Bow End forward (Driver Side) and Rearward (Passenger Side) until you reach the 14 3/4 inch dimension from the front of the Extrusion to the front edge of the Rubber Seal at the top and rear of the door opening. Place the lower door rail back into position.

Step 1



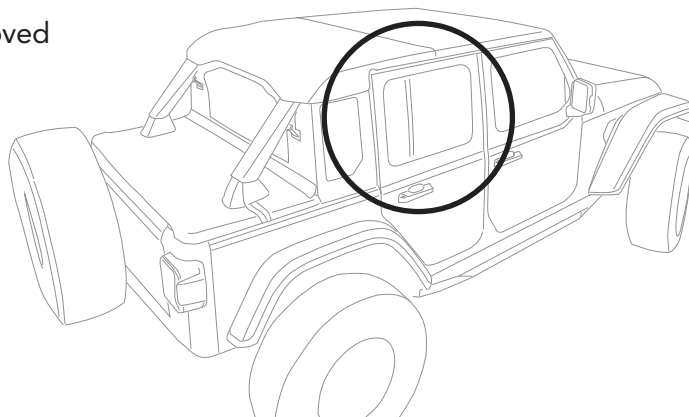
Tools



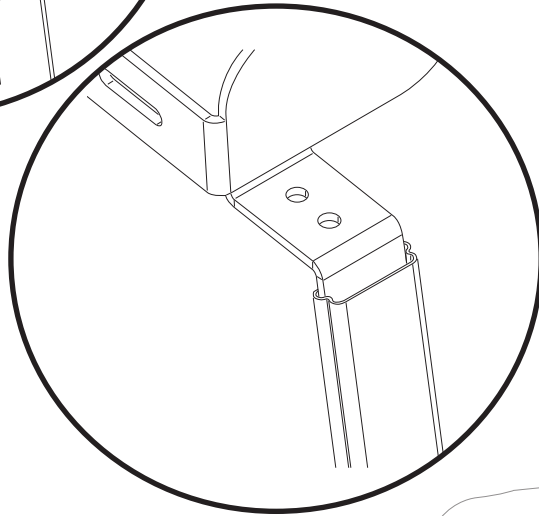
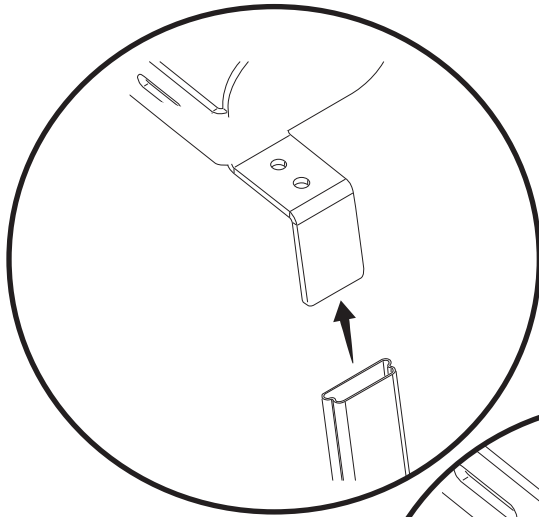
T40 Torx Driver

Step 1

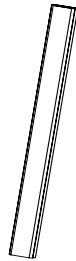
Replace the three (3) fasteners that were removed from the passenger side rear Door Rail.



Step 1

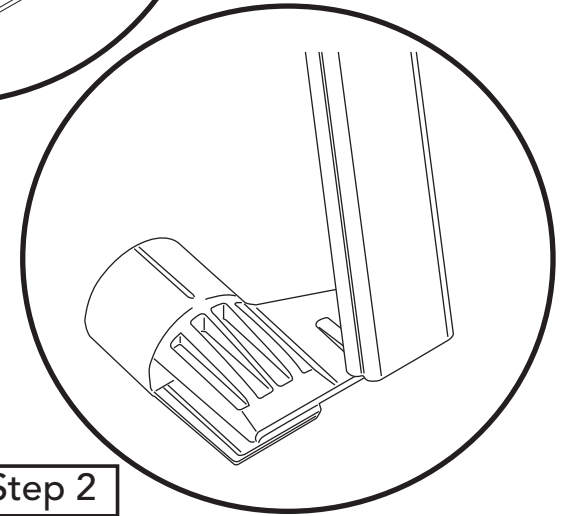
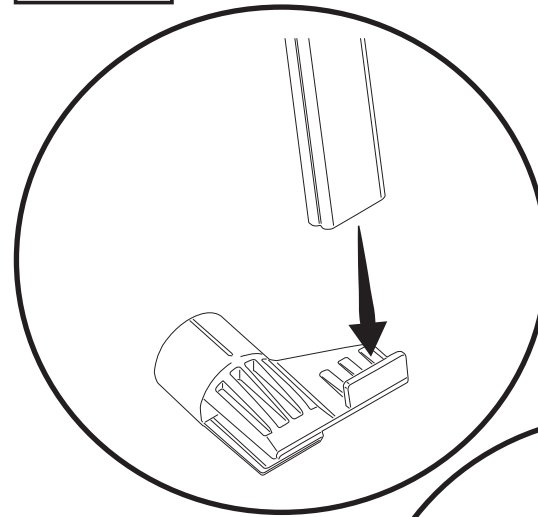


Hardware



Bow D Pillar
Part #603.93
Qty. 2

Step 2



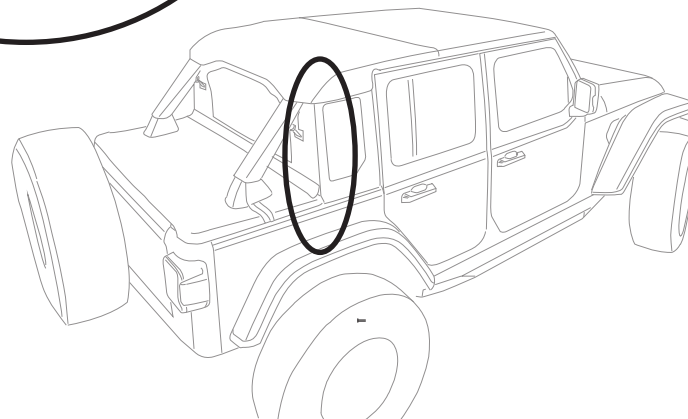
Step 2

Align the D Pillar Bow with the tab on the End Cap then pull the D Pillar bow down onto the tab.

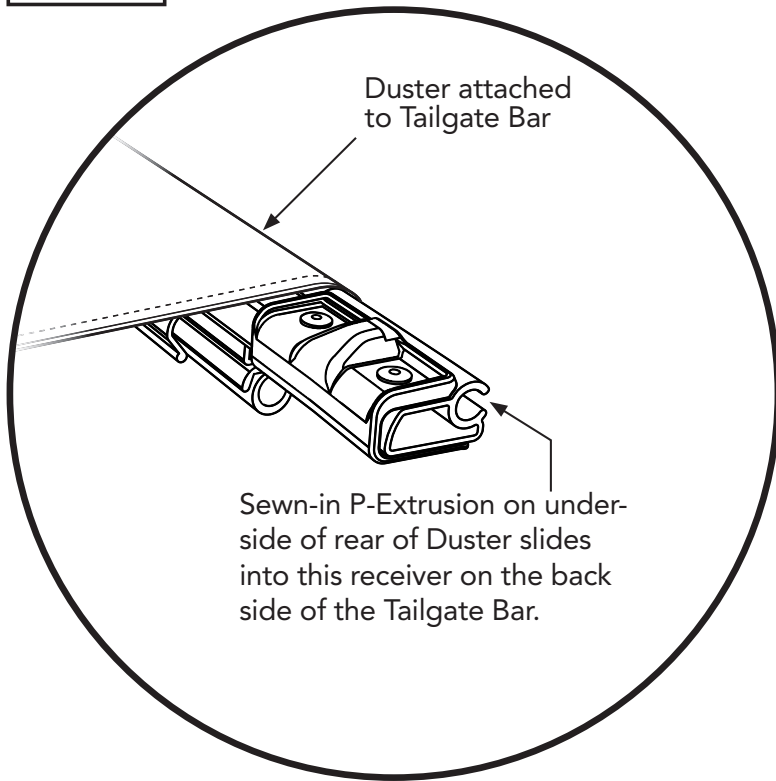
Repeat the steps on the left side of the vehicle.

Step 1

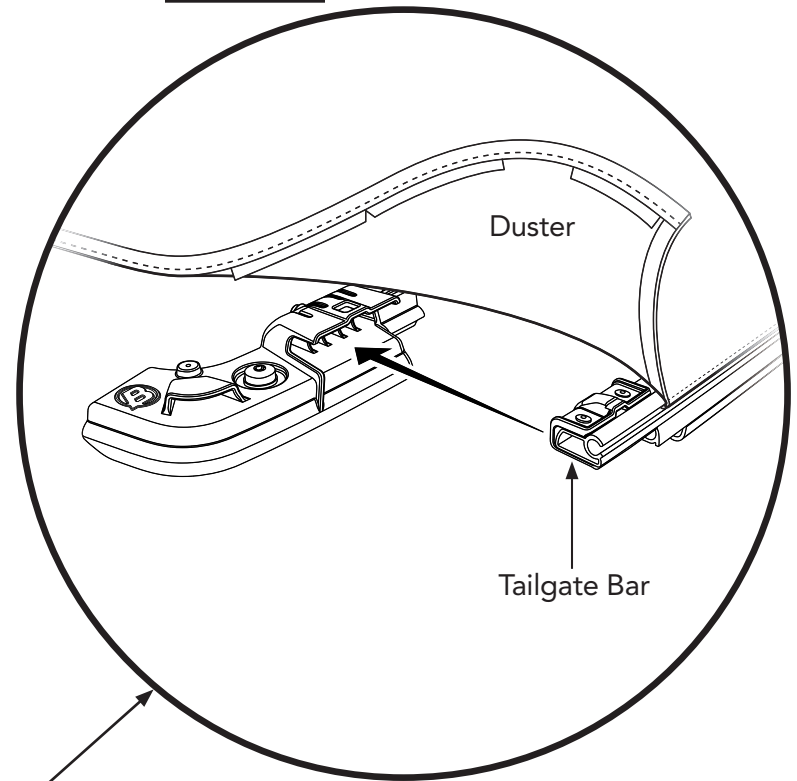
Insert the top of the D Pillar Bow (Part # 603.93) onto the Bow Support Bracket and push it all of the way up.



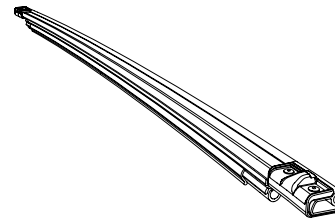
Step 1



Step 2

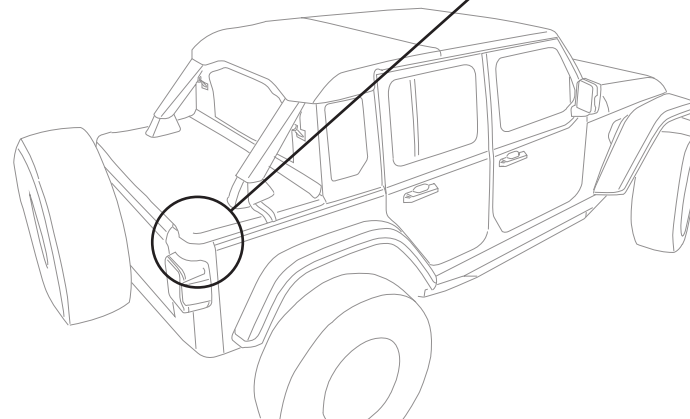


Hardware



Step 1

Attach the Tailgate Bar to the sewn-in P-Extrusion rail on the underside of the rear of the Duster. Slide the Tailgate Bar all the way across.

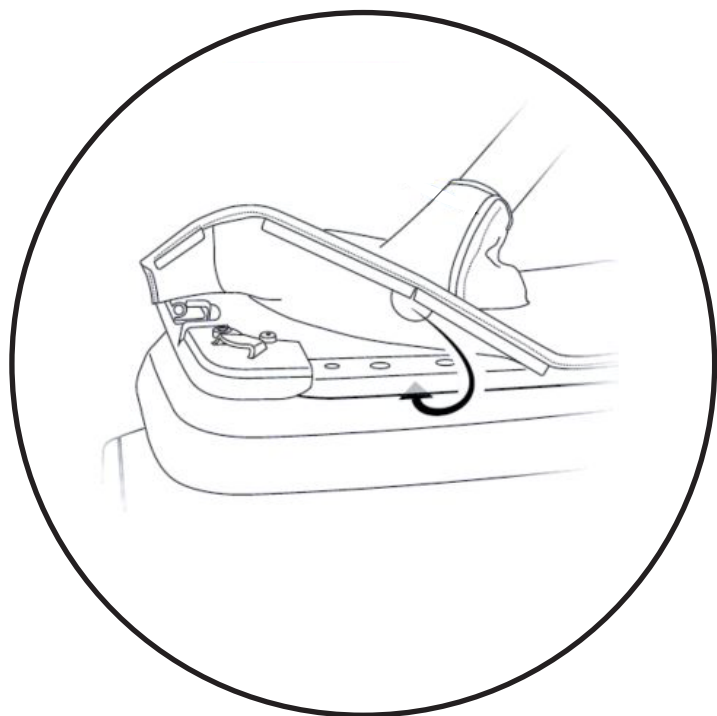


Step 2

Secure the Tailgate Bar with attached Duster to the Tailgate Bar Retainers. Press the Tailgate Bar into the receiver on each Tailgate Bar Retainer.

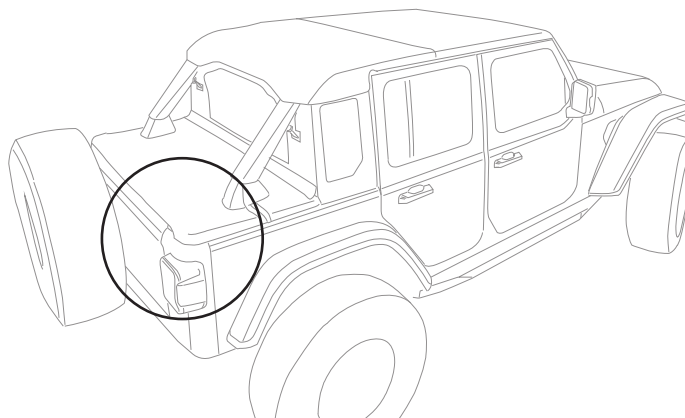
NOTE: The bulb seal on the Tailgate bar must hang below the bar and face rearward for the tailgate to touch it.

Step 1

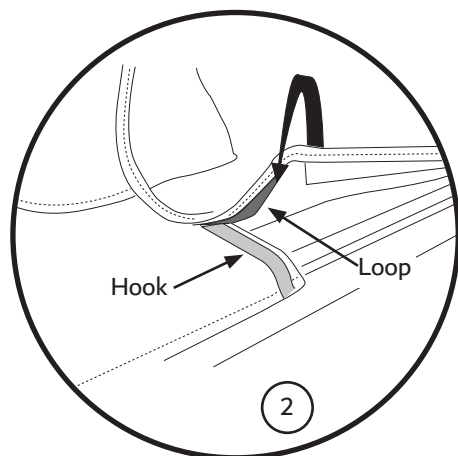
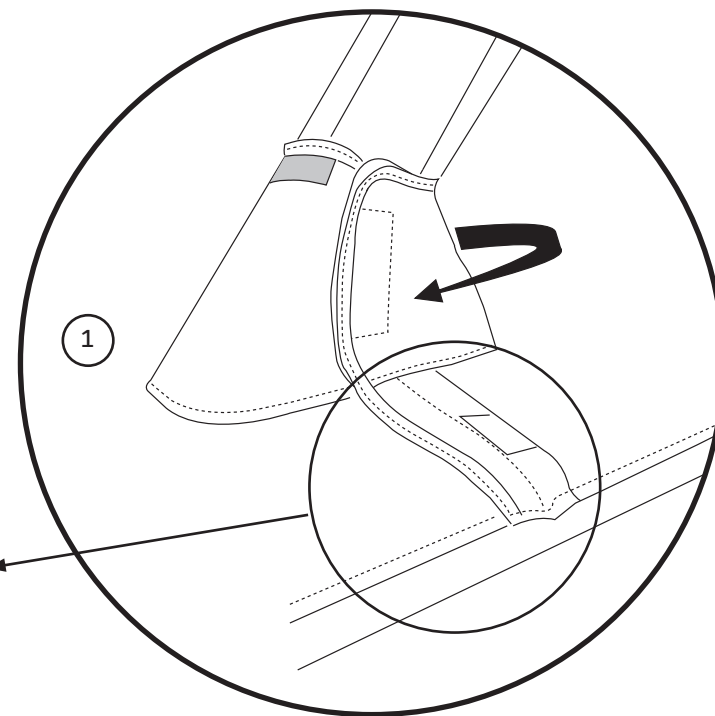


Step 1

Tuck the plastic tabs along the left and right edges of the Duster underneath the Jeep belt rail, working from back to front. Make sure to tuck the straight tabs as well as the semi-circular tabs under the belt rail.
Tuck all side plastic tabs under the belt rail, from back to front, and then tuck the plastic tabs at the rear corners under the belt rail.



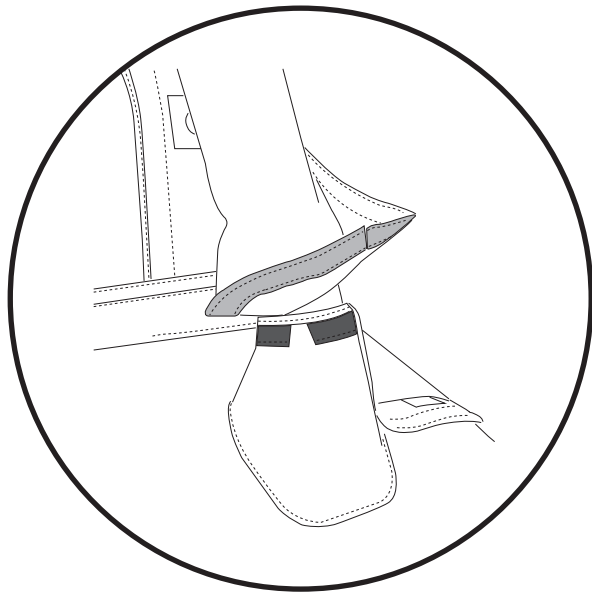
Step 2



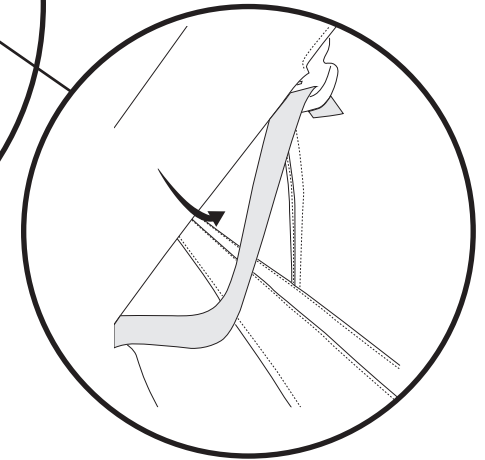
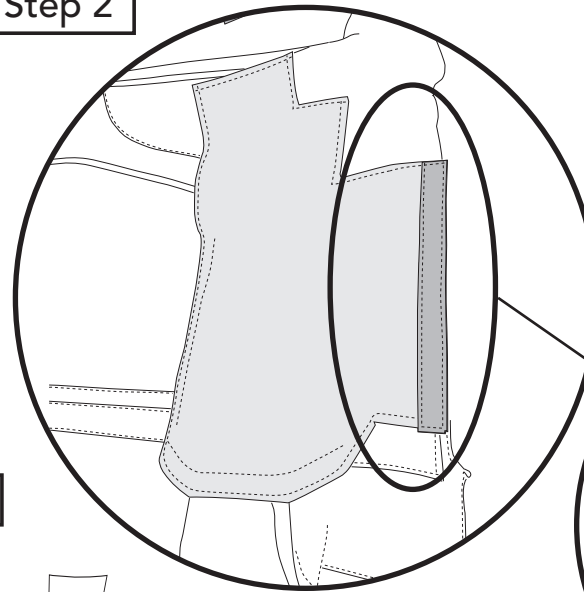
Step 2

- 1 Wrap the hook-&-loop sleeves around the sport bar downtubes, and attach hook-&-loop strips together snugly.
- 2 Press the Hook and Loop together along the side of the Duster cover

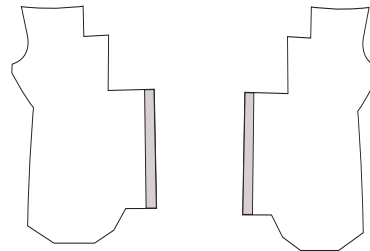
Step 1



Step 2



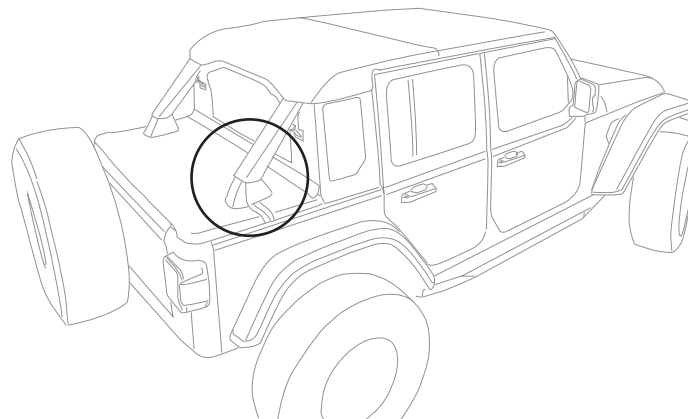
Hardware



Sportbar Sleeve Right Sportbar Sleeve Left

Step 1

Place the Sport Bar sleeve on the Sport bar Leg then attach the loop on the Sleeve to the Hook on the Duster.



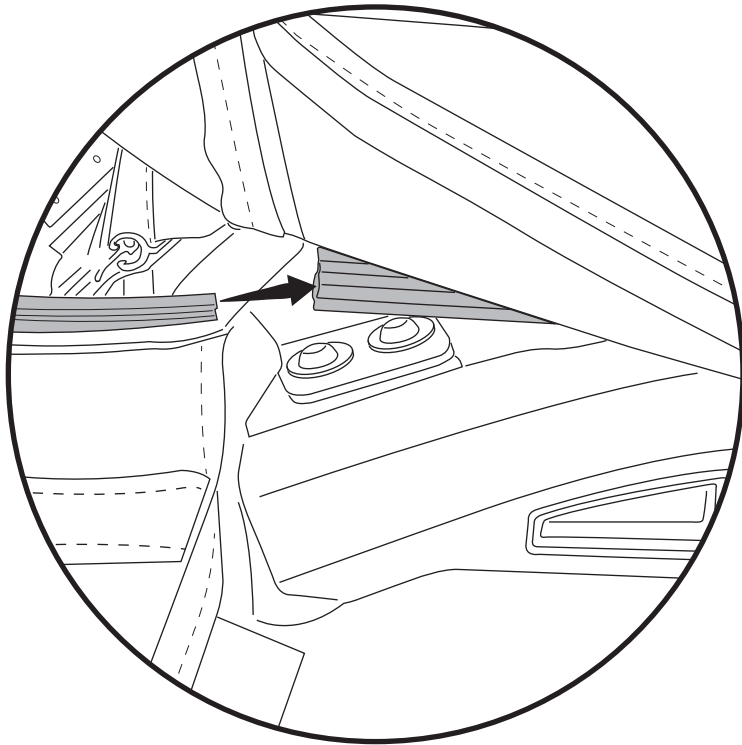
Step 2

Wrap the flap around the Sport Bar leg between the Sport Bar Leg and the Seat Belt.

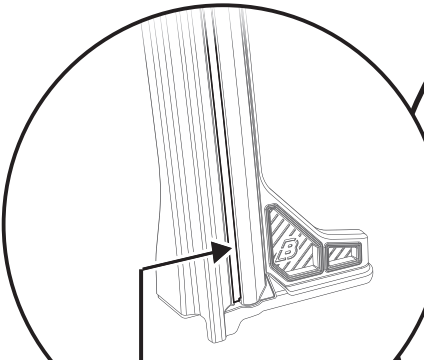
Repeat this step on the left side of the vehicle.

Caution: Wrapping the flap around the seat belt instead of leaving it loose may cause the seat belt to malfunction and could cause serious injury or Death.

Step 1

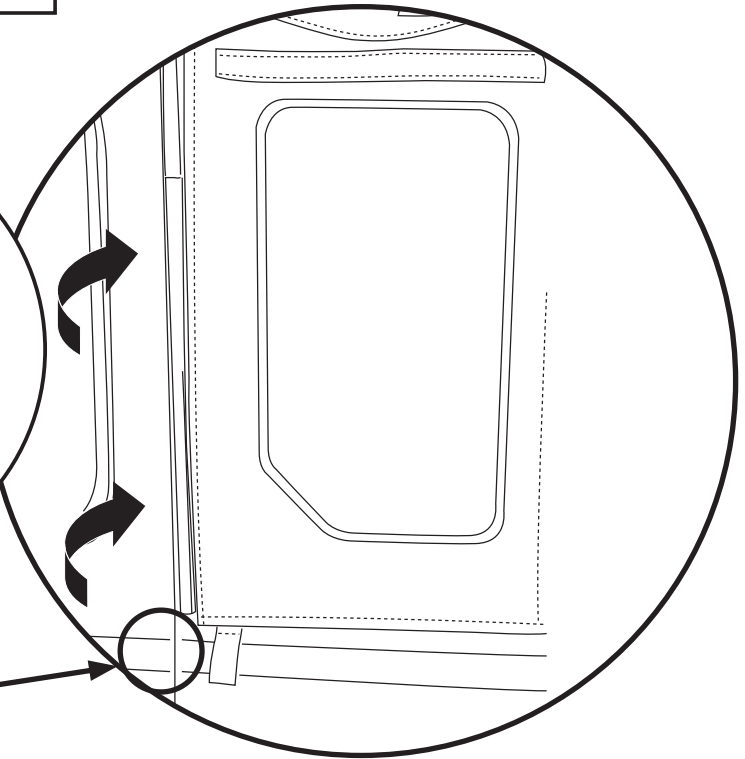


Detail



Location of channel for plastic strip

Step 2



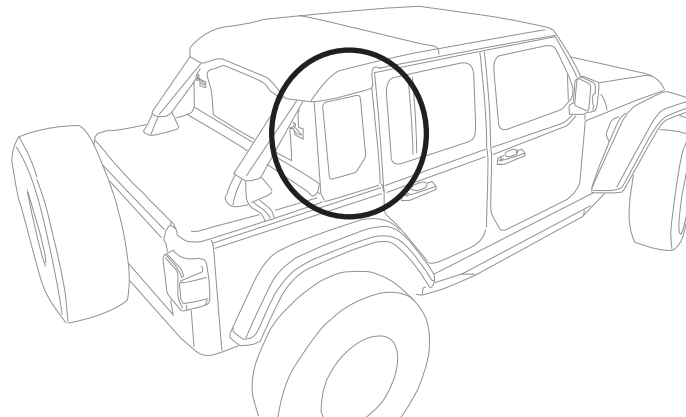
Start at the lower end of the retainer and work your way up.

Step 1

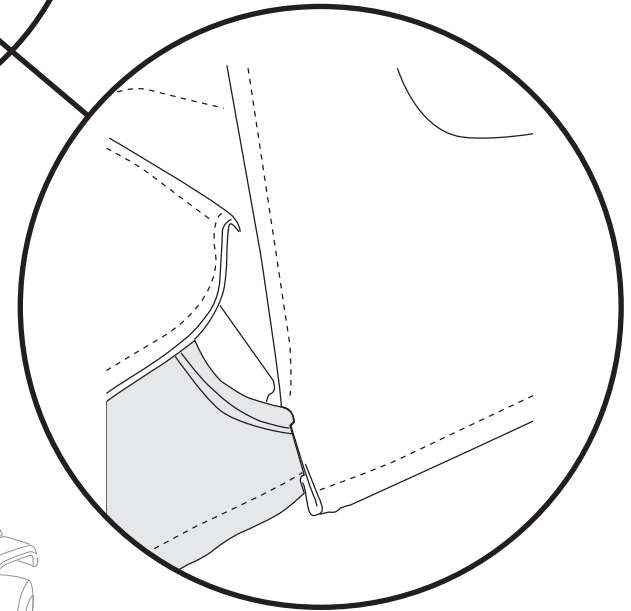
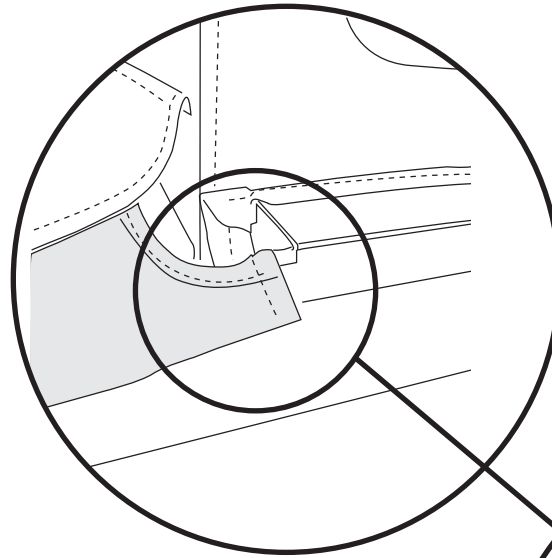
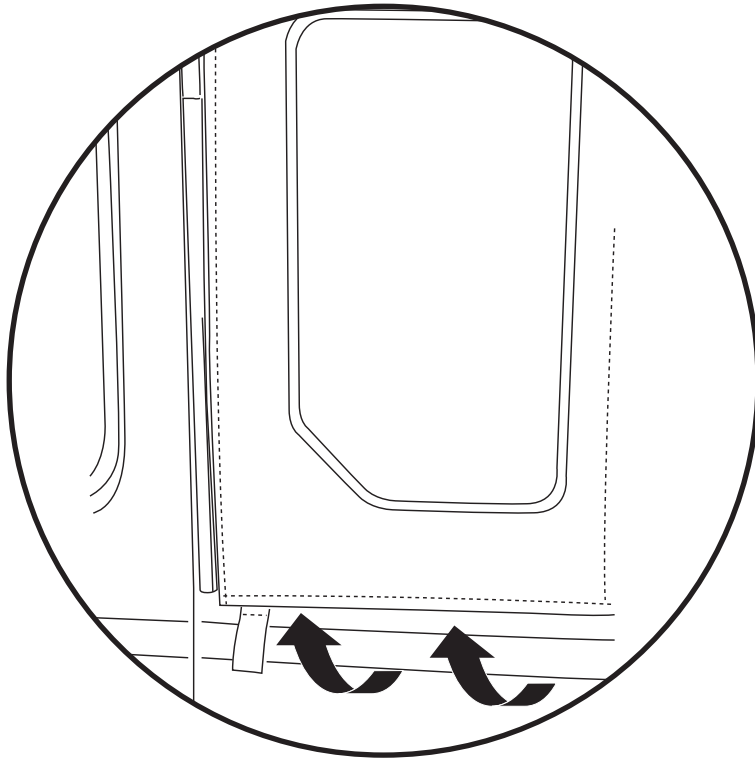
Slide the plastic Retainer located along the top of the side panel into the "C" channel located on the top.

Step 2

Locate the the sewn-in plastic strip along the front edge of the left side window. Tuck this plastic strip into the vertical channel along the outside face of the left Rear Door Rail. See Detail for location of the correct channel.



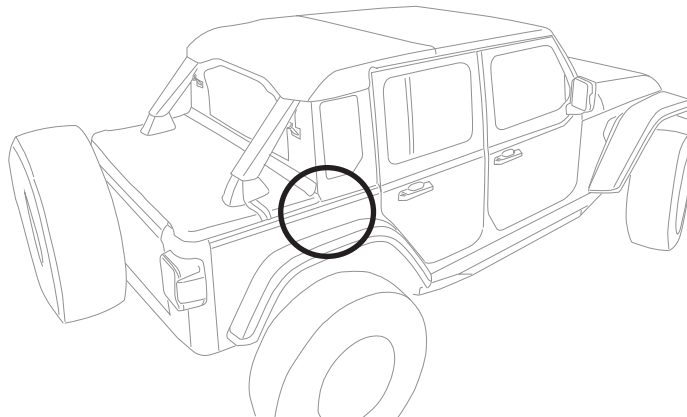
Step 3



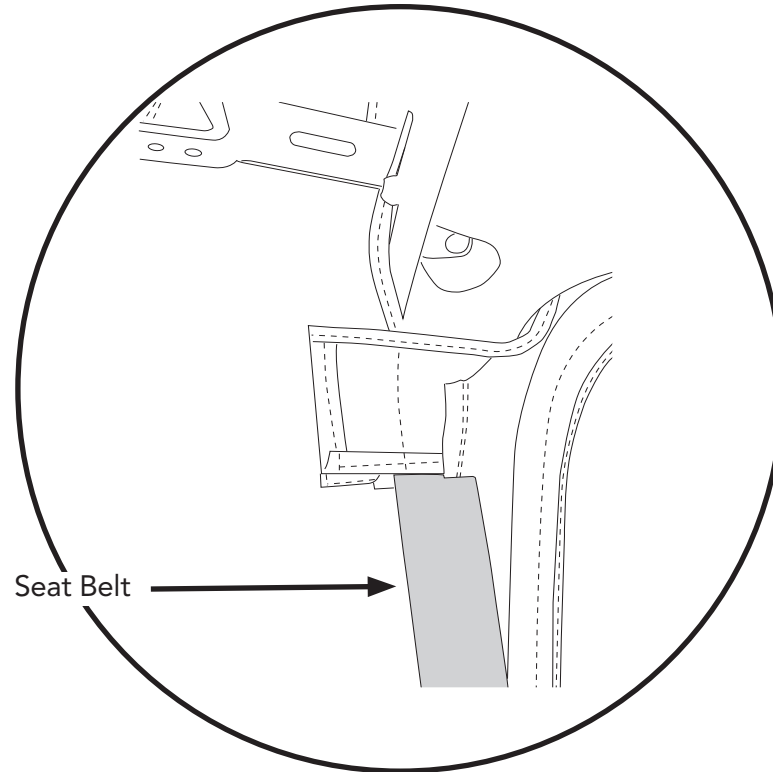
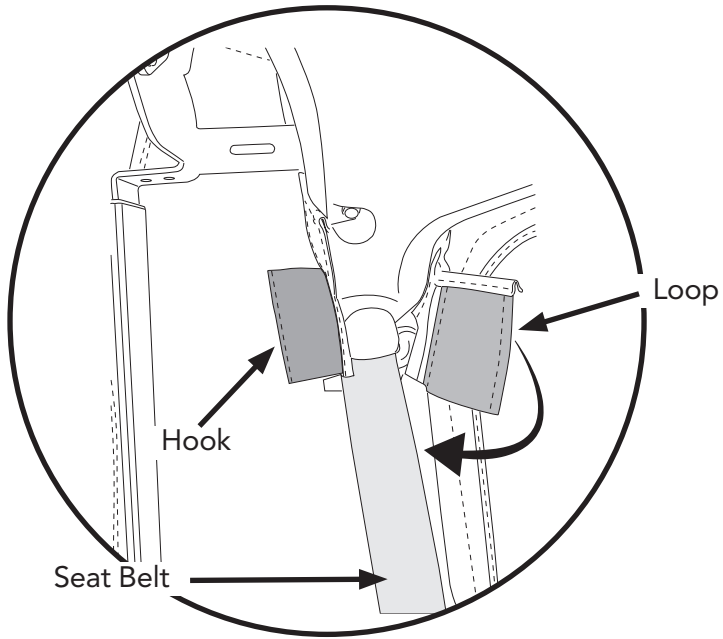
Step 3

Tuck the plastic strip along the bottom edge of the left rear window under the Jeep belt rail, by rolling it up underneath the belt rail, beginning at the rear, and working your way forward. Make sure you tuck the tab on the front edge of the Duster under the bottom edge of the Side Panel.

Repeat on the right side window.



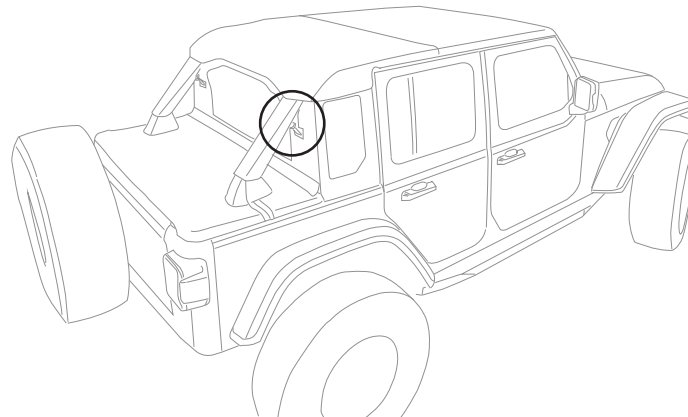
Step 1



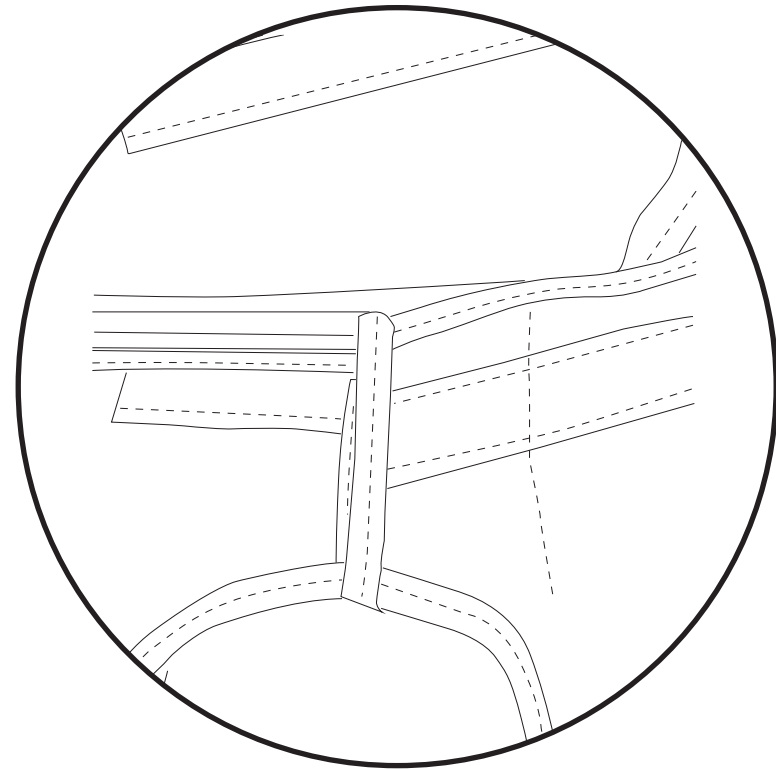
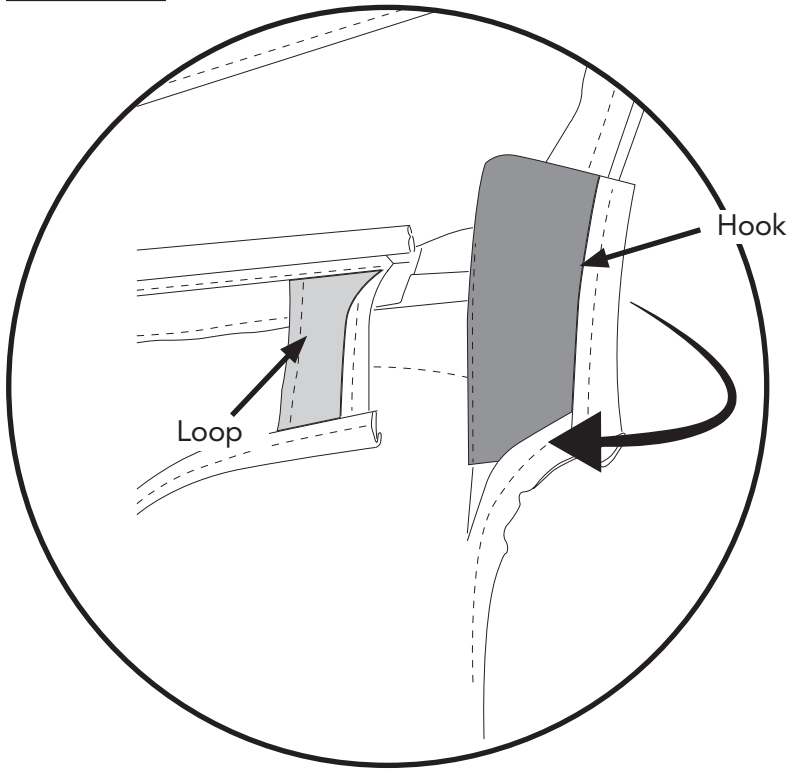
Step 1

From the inside, Fold the Loop patch over and onto the Hook patch.

Repeat on the left side of the vehicle.



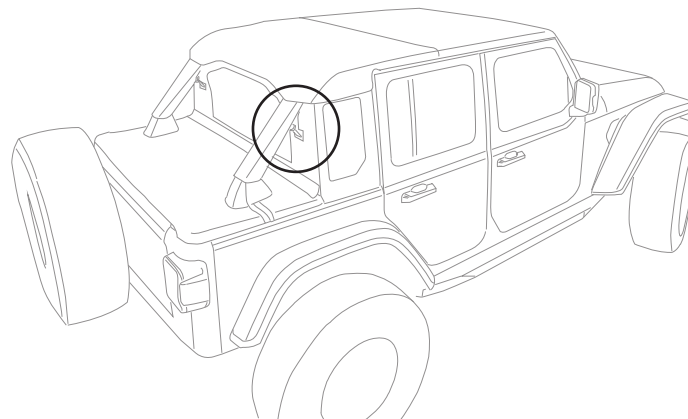
Step 1



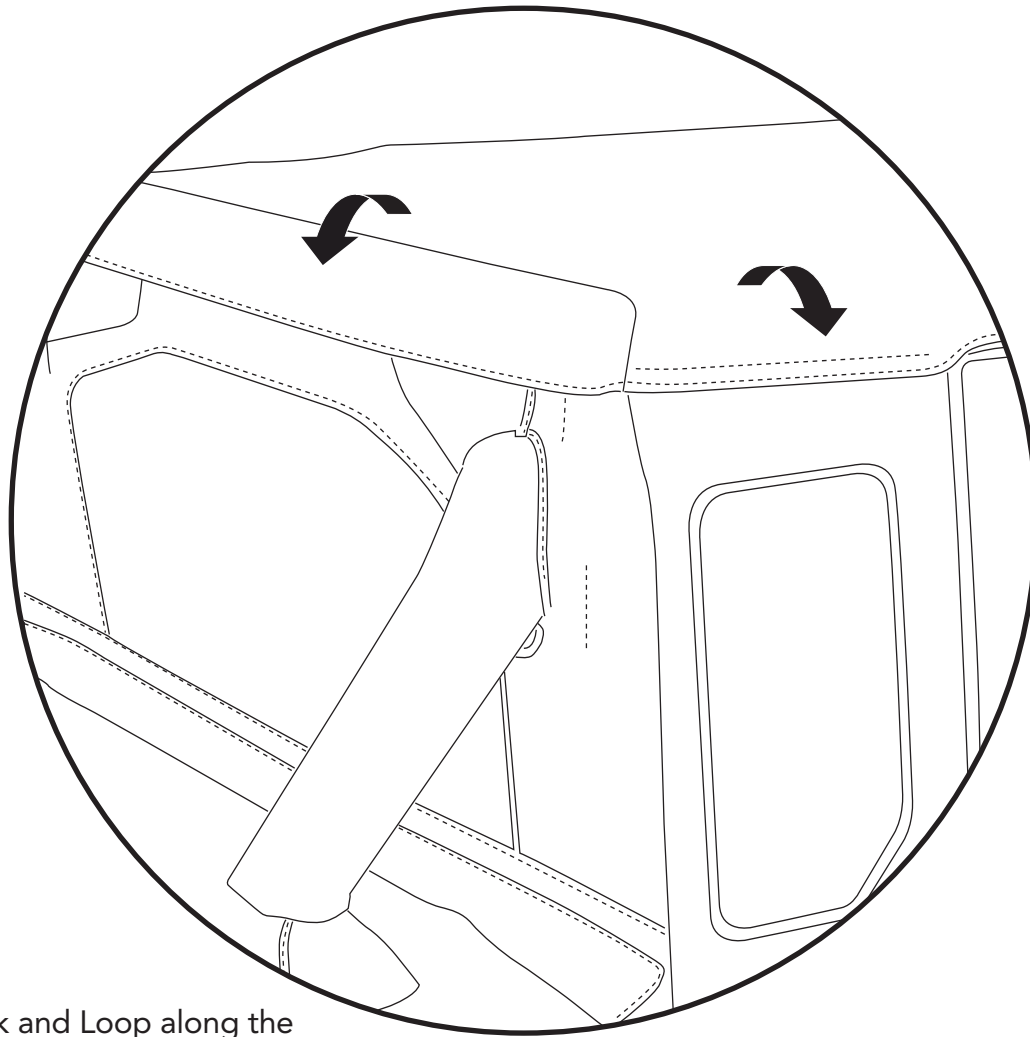
Step 1

Fold the flap with the Hook over the flap that has the Loop Sewn on.

Note: Make sure you wrap flaps around the Sportbar Sleeves.



Step 1



Step 1

Secure the Hook and Loop along the rear edge of the Top to the top edge of the Windjammer.



Care and Maintenance of your Bestop Product

Your Bestop product is made of the finest materials available. To keep it looking new and for the maximum possible wear, it will need periodic cleaning and maintenance.

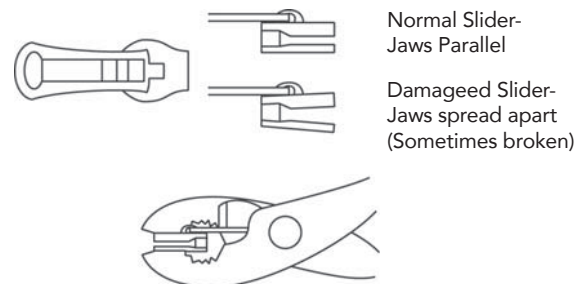
Fabric: The fabric should be washed often using soap, warm water and a soft bristle brush. Rinse with clear water to remove all traces of soap. Bestop recommends using Bestop Cleaner (part no. 11201-00) and Bestop Protectant (part no. 11202-00) for Vinyl fabric and Bestop Twill Protectant (part no. 11207-00) for Twill fabric. Bestop Cleaner and Bestop protectant are specially formulated to provide a total cleaning and protection system. Bestop Cleaner safely removes the toughest stains, will not harm vehicle finishes, is biodegradable and environmentally friendly. Bestop Protectant protects against UV-fading, cracking and hardening, and repels dust, grease, dirt and mildew.

Windows: Keep windows clean to avoid scratching. DO NOT use a brush on the windows! Wash with a water-soaked cloth or sponge and a mild dishwashing detergent. Bestop recommends Bestop Vinyl Window Cleaner (part no. 11203-00), which safely cleans and protects vinyl windows and helps prevent UV damage. NEVER WIPE THE WINDOWS WHEN THEY ARE DRY. Be careful when cleaning snow or frost from the vinyl windows since they are easily scratched and may crack at low temperatures. DO NOT roll the sides or rear window in cold weather. The windows become stiff and will crack. Cracks caused by misuse in cold temperatures are not covered under warranty.

Water: Seeping through at the seams may be stopped by applying 3-M Scotchgard® on the inside of the seams.

Snaps: Keep snaps cleaned and lubricated with silicone to help prevent snaps from sticking to the studs. If a snap does become stuck to a stud, use a screwdriver and GENTLY pry apart to prevent permanent damage to the snap or the top fabric.

Zippers: Keeping zippers cleaned and lubricated with Bestop's Zipper Cleaner (part no. 11206-00) will help prevent damage and keep the zippers in smooth working condition. If a zipper opens behind the slider, the slider may have been spread apart. This problem can usually be repaired by using an ordinary pair of pliers to bring the sides back into parallel. Return slider to the end of the zipper in the normal Open position. Squeeze lightly at first and test the zipper. If the zipper continues to remain open squeeze more firmly with the pliers and try the zipper again. Repeat this procedure until the zipper operates correctly.



For Bestop Warranty Information, Please go to;
<https://www.bestop.com/help/warranty-information/>

