



Installation Instructions



Specialty Tigertop™









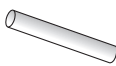

Includes Doors

Vehicle Application


- Jeep CJ6
1955 – 1981
Part Number: 51306

www.Bestop.com - We're here to help! Visit our web site and click on ["Ask a Question"](#). Click here for more [Jeep Accessories by Bestop](#).

INSTALLATION TIME	SKILL LEVEL
 <p>3 Hours</p>	 <p>3 - Moderately Difficult</p>

TOOLS			
 <p>Power Drill 3/32", 5/32" and 3/8" Bits</p>	 <p>Center Punch</p>	 <p>Tape Measure 10'</p>	 <p>Adjustable Wrench</p>
 <p>Phillips Screwdriver</p>	 <p>Flat-Head Screwdriver Large and Small</p>	 <p>Hammer</p>	 <p>Scissors</p>
 <p>Chalk</p>	 <p>Safety Glasses</p>		




 **CAUTION** Safety glasses should be worn at all times while installing this product.

Installation Tips

Before you begin installing this assembly, read all instructions thoroughly.

For a smooth fit:

For ease in installation, the product should be installed at temperatures above 72° F. Below this temperature, the fabric may contract an inch or more, making it difficult to fit to the vehicle. It is normal for fabric to contract and wrinkle when stored in the shipping carton. Within a few days after the installation, the fabric will relax and the wrinkles will disappear.

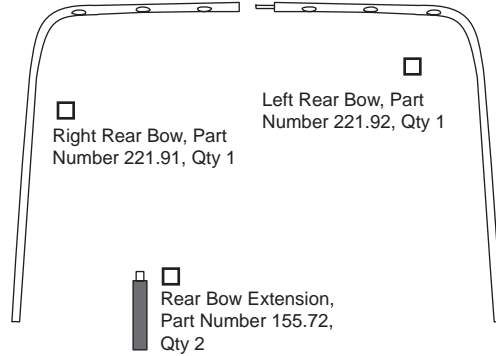
 **WARNING** This product is designed primarily to enhance the appearance of the vehicle and to shield the occupants from ordinary weather conditions. Do not rely in any way on the components of this product to contain occupants within the vehicle, or to protect against injury or death in the event of an accident. This product will not protect the occupants from falling objects. Never operate the vehicle in excess of manufacturer's specifications.

WEAR SEAT BELTS AT ALL TIMES

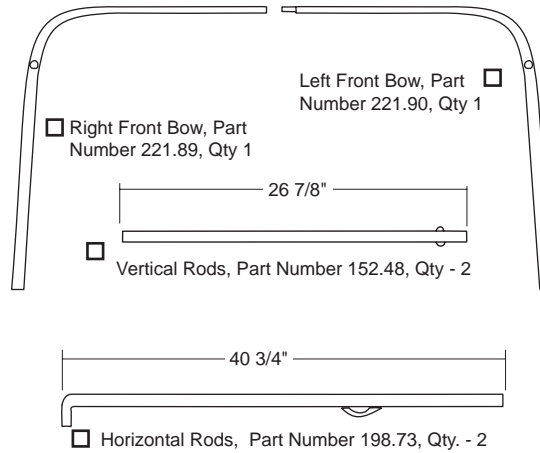
Read and follow, precisely, all installation instructions provided when installing product. Failure to do so may result in a poor fit and could place occupants of the vehicle in a potentially dangerous situation.

Specialty Tigertop™ – Installation Instructions

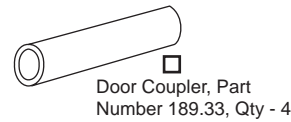
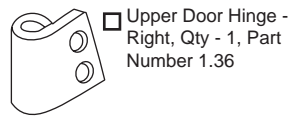
Top Fabric	Qty - 1
Door, Right	Qty - 1
Door, Left	Qty - 1
Zipper Pulls	Qty - 2
5/8" x 2" Adhesive Hook Strip	Qty - 1



Parts List and Hardware Identification



#6 S/M Screw, Qty - 44, Part Number 9.69	#10 Hex Nut, Qty - 4, Part Number 151.82
Threaded Body Stud, Part Number 151.81, Qty - 4	Body Stud, Qty - 44, Part Number 9.68
1/4" Lock Washer, Qty - 2, Part Number 151.80	1/4" Cap Nut, Qty - 2, Part Number 130.84
Eye Bolt, Qty - 2, Part Number 116.62	1/4-20 Hex Nut, Qty - 2, Part Number 130.83



Bow Mounting Kit, Packaged together, Part Number 182.76

Bow Mounting Bracket, Qty 2	#10 S/M Screw, Qty 4	Clevis Pin, Qty 4	Hairpin Clevis Keeper, Qty 4

Handle Kit, Packaged together, PN 185.23

Inside Door Handle, Qty 1 left, 1 right	Outside Door Handle, Qty 2	Plastic Handle Covers, Qty 2 each 2 1/2" long, 2 each 3 3/8" long	7/16" Plastic Washer, Qty 4

Specialty Tigertop™ – Installation Instructions

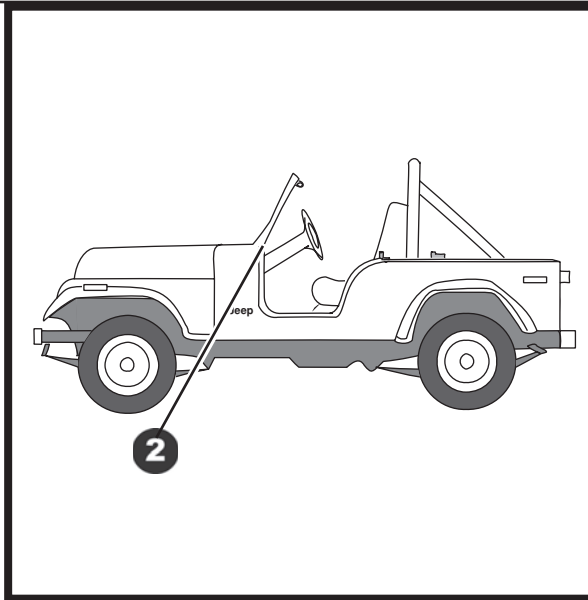
! WARNING

This is the first step you must take in the installation process and it is also the most important one. Improper windshield adjustment results in poor fitting of both the top and the doors as well as misalignment of snaps.

1 Windshield Measurement

Measure and record the distance from the top inside edge of the windshield to the rear inside edge of the Jeep® body. Take the measurement from approximately six inches inside the Jeep's doors. Check to make sure that both sides measure equally. For proper installation of the Convertible Top, this measurement must equal 88 1/2 inches.

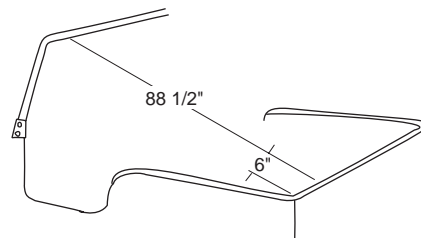
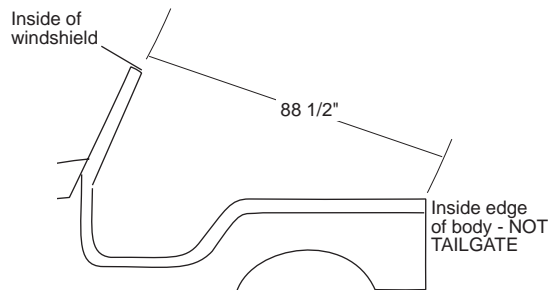
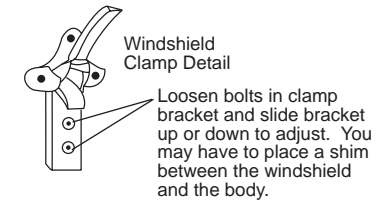
NOTE Your Jeep® was factory-shipped with a windshield-rear body measurement of 88 1/2 inches for CJ6, so it may not be necessary to adjust it. If not, you may skip the following step.



2 Adjust Windshield if Necessary

Adjust your windshield, by loosening the screws in the Windshield Clamp, located at the base of the windshield on the both sides. You may then lean the windshield back or forward as necessary. Use a shim to fix windshield in place if it remains loose after you tighten the screws.

NOTE Windshield adjustment should be made at Windshield Clamps



Specialty Tigertop™ – Installation Instructions

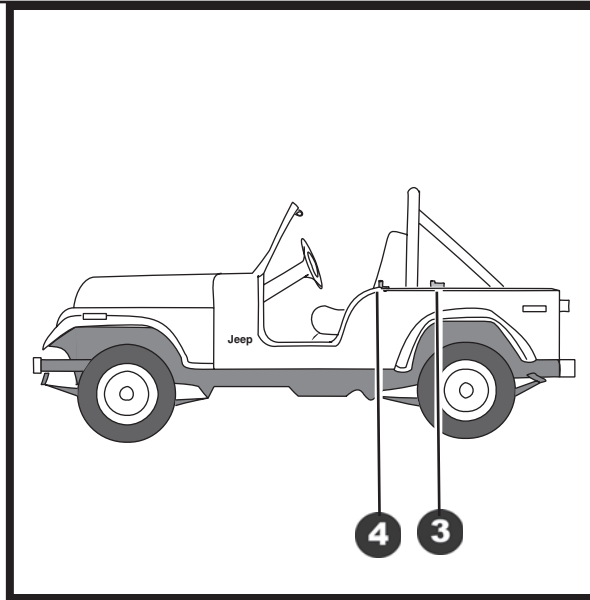
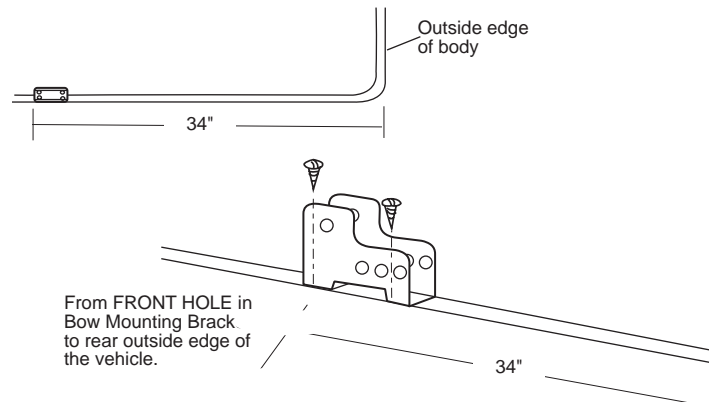
CAUTION When drilling in the top edge of the vehicle body, check underneath for wiring for the rear lights. Pull the wiring out of the way before drilling.

3 Install Bow Mounting Brackets

Locate the Bow Mounting Brackets and the #10 Sheet Metal Screws and place them within easy reach. Measure a distance of 34 inches along the body edge from the outside rear of the Jeep® body. Make a pencil mark on each side of the Jeep® body at the measured location. This will be the location for the FRONT HOLE of the Bow Mounting Bracket.

Place the Bow Mounting Bracket flush against the outside edge of the Jeep® body, with the FRONT HOLE aligned with the mark you have just made. Now mark the location for the REAR HOLE. Do this for both sides of the Jeep®.

Center punch the marked locations (each side, for both front and rear holes) and drill with a 5/32 inch drill bit. Secure each Bow Mounting Bracket to the top of the body edge with two (2) #10 sheet metal screws.

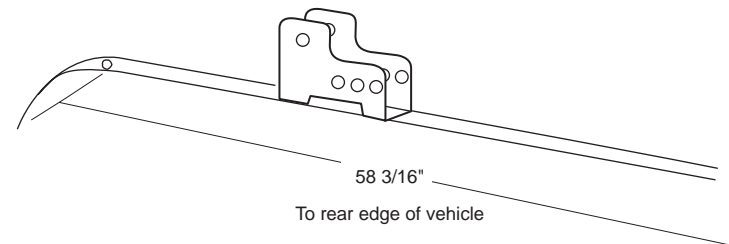


CAUTION When drilling in the top edge of the vehicle body, check underneath for wiring for the rear lights. Pull the wiring out of the way before drilling.

4 Install Vertical Rods

Mark the location for the Vertical Rods on the top edge of the Jeep® body just behind the door openings, 58 3/16 inches for CJ6 from the rear body edge. Mark with a pencil. IF THE HOLE ALREADY EXISTS, YOU CAN SKIP THIS SECTION AND MOVE AHEAD.

Center punch at the marked location and drill a 3/8" hole on each side of the Jeep®, centered on the body edge.

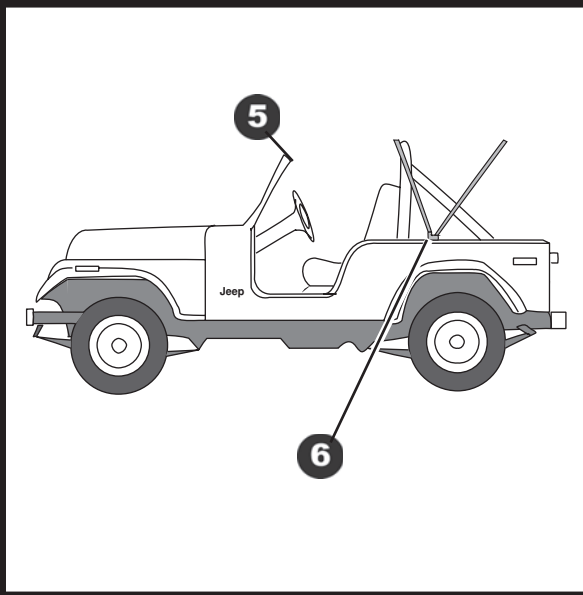
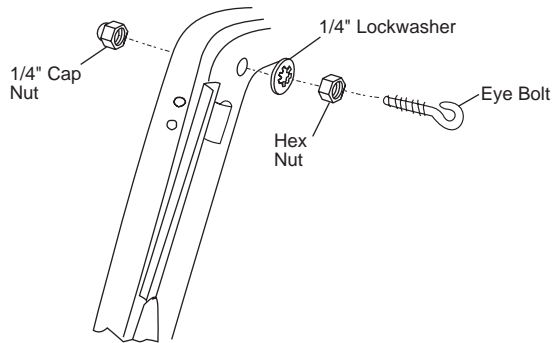


Specialty Tigertop™ – Installation Instructions

5 Install Horizontal Rod Mounts

The Horizontal Rod Brackets mount to the windshield of the Jeep®. Install the Eye Bolt assembly in the 1/4 inch holes at the upper corners of the windshield frame as shown.

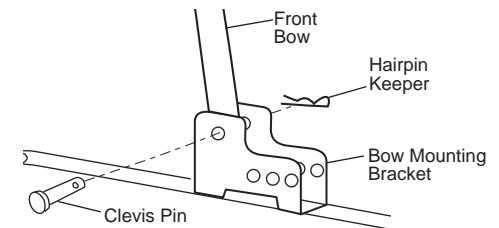
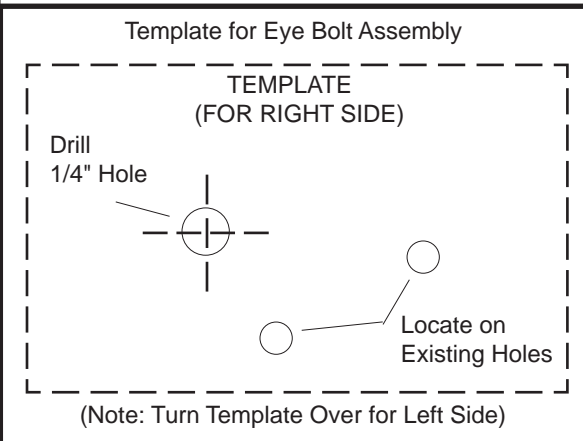
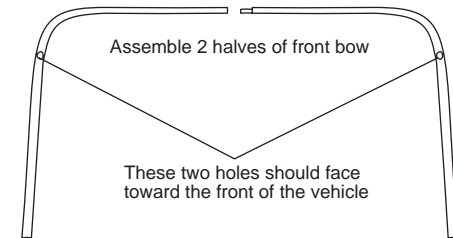
If you have an older model Jeep®, you will need to drill the holes yourself. Use the template provided to mark the location for the 1/4 holes. Position the template over the two small existing holes on THE OUTSIDE of the windshield frame in the upper right-hand corner of the windshield. Turn the template over and repeat the process for the left-hand side. BE SURE TO DRILL FROM THE OUTSIDE OF THE WINDSHIELD FRAME.



6 Install Front Bow Assembly

Connect the two halves of the Front Bow Assembly. THE TWO LARGE HOLES IN THE FRONT BOW ASSEMBLY SHOULD FACE THE FRONT OF THE JEEP®.

Mount one leg of the Front Bow Assembly into the front of the Bow Mounting Bracket, using the Clevis Pin and Hairpin Keeper as shown. Repeat this process for the other leg of the Front Bow Assembly.



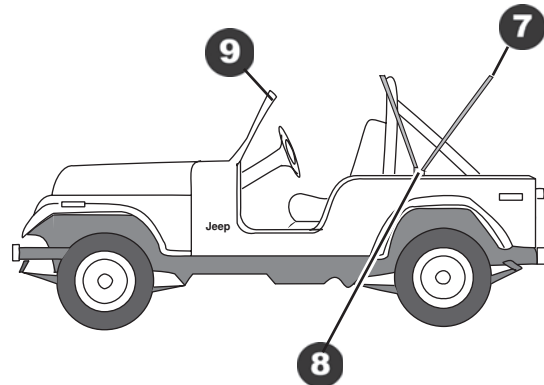
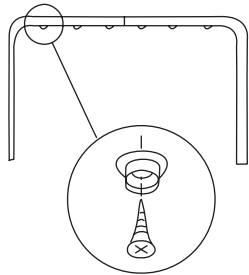
Specialty Tigertop™ – Installation Instructions

7 Install Body Studs on Rear Bow

Install a Body Stud in each hole in the Rear Bow Assembly, using a #6 Sheet Metal Screw.

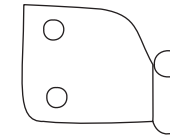
Connect the two halves of the Rear Bow Assembly.

Attach a 7 1/2 inch Rear Bow Extension to each leg of the Rear Bow.



9 Install Door Hinges if Necessary

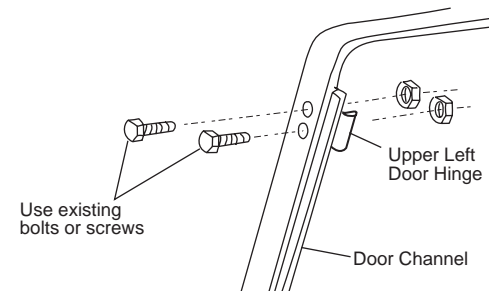
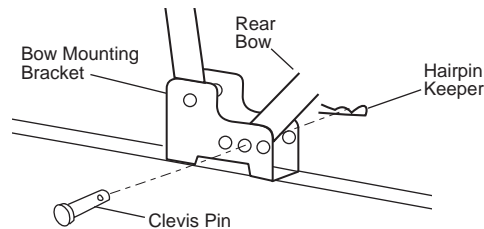
Use the existing door channels, but if, for some reason, the channels have been removed, call or write us to order Part #51205-00. If your vehicle has the type of door hinge shown below, you will need to use the Upper Right and Left Door Hinges in the parts kit. Use existing bolts or screws and holes.



NOTE If your vehicle has this type of hinge, replace it with the hinge in the parts kit.

8 Install Rear Bow

Mount one leg of the Rear Bow Assembly into the CENTER HOLE at the back of the Bow Mounting Bracket, using a Clevis Pin and Hairpin Keeper. Repeat this process for the other leg of the Rear Bow Assembly.

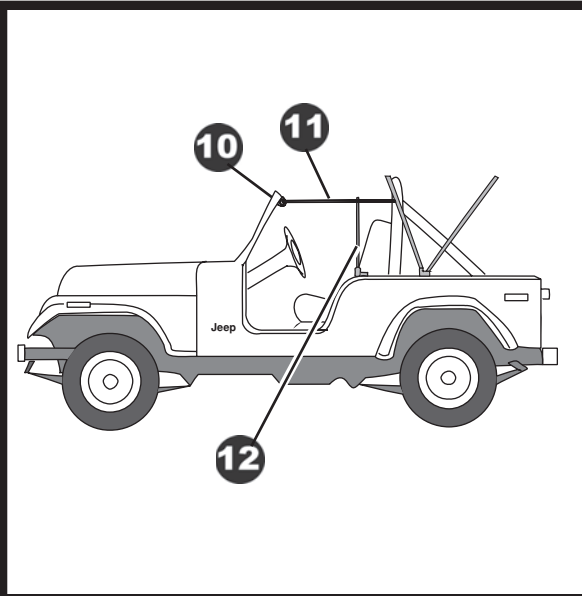
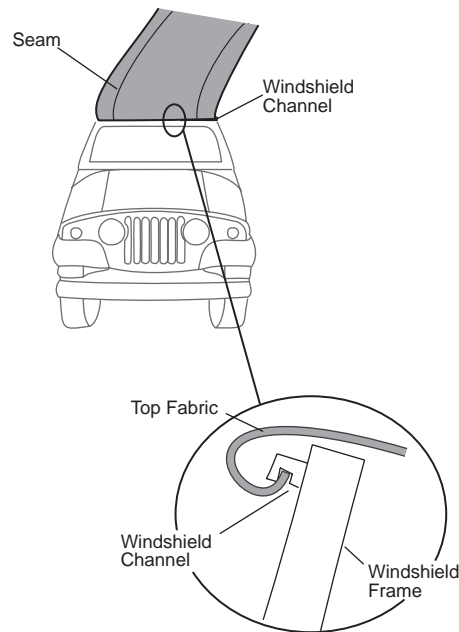


Specialty Tigertop™ – Installation Instructions

10 Install Top on Vehicle

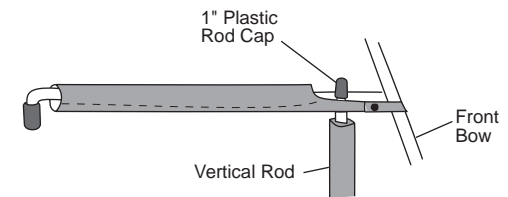
Unfold the Top and drape it over the Front Bow. Insert the Top into the Windshield Channel groove at one side and slide it in. Slide the Top all the way through the Channel groove so that the other seam is outside the channel. Then work that side back into the groove and center the Top.

Lift the Rear Bow and drape the Top over it. Snap the flaps on the inside of the Top to the Body Studs of the Rear Bow.



12 Install Vertical Rods

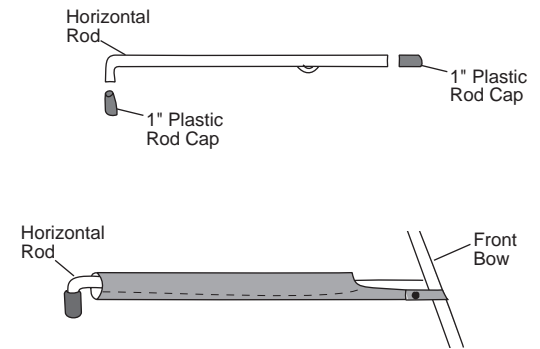
Locate the Vertical Rods and slide the 1 inch rod caps over the smooth end of the Vertical Rods. Slide the capped end of the rods up through the strip of fabric sewn into the Top just behind the door openings and through the rod loop of the Horizontal Rod. Mount the bottom of the Vertical Rods into the 3/8" holes in the Jeep® body.



11 Install Horizontal Rods

Remove the 1 inch Plastic Rod Caps from the door frames. Locate the Horizontal Rods and slide 1 inch Plastic Rod Caps over the ends of each.

Position the Horizontal Rod with the rod loops pointing to the inside of the Jeep®. Slide the Horizontal Rod through the fabric channel above the door opening, with the bent end toward the front of the Jeep®. Insert the bent end of the Horizontal Rod into the Horizontal Rod Bracket on the windshield frame. Now pull the Front Bow forward and insert the straight end of the Horizontal Rod into the hole on the corner of the Front Bow. Attach the snap around the Front Bow.



Specialty Tigertop™ – Installation Instructions



WARNING

The following steps are crucial to the proper installation of your Top.

You will need to have a friend help you to insure even tightness and fit of the Top. Make sure the Top is as warm as possible before beginning.

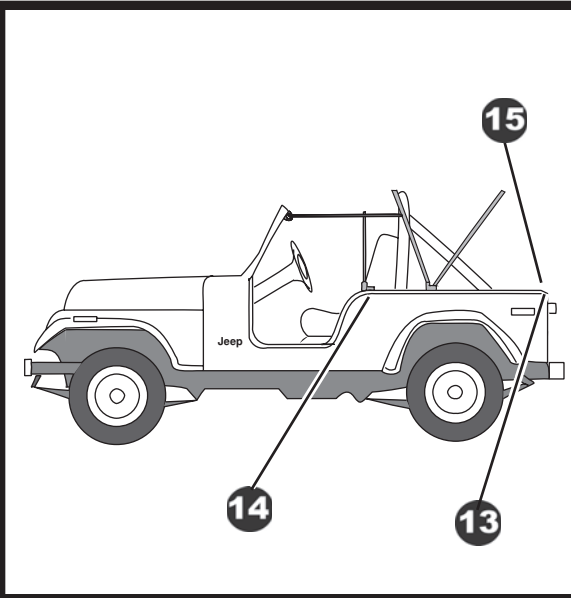
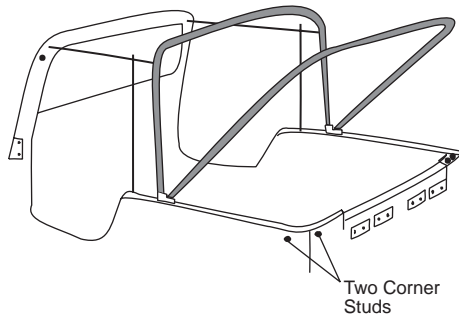
13 Install Rear Corner Studs

Close all zippers on the side and rear curtains of the Top.

Mark the locations for the rear corner studs. Do this by rubbing chalk on the snaps at the inside of the Top.

TO INSURE A GOOD FIT, HAVE YOUR FRIEND PULL DOWN ON THE REAR BOW WHILE YOU PULL THE FABRIC DOWN AND TO THE REAR TO LOCATE THE TWO REAR CORNER STUDS.

When you are satisfied with the tightness of the Top, press the snaps against the Jeep®. The chalk will leave marks for Body Stud positions. Center punch the marks and drill 3/32 inch holes at the marked locations on each rear corner. Install the Body Studs in the rear corners with #6 Sheet Metal screws. Now snap the Top down at the corners.



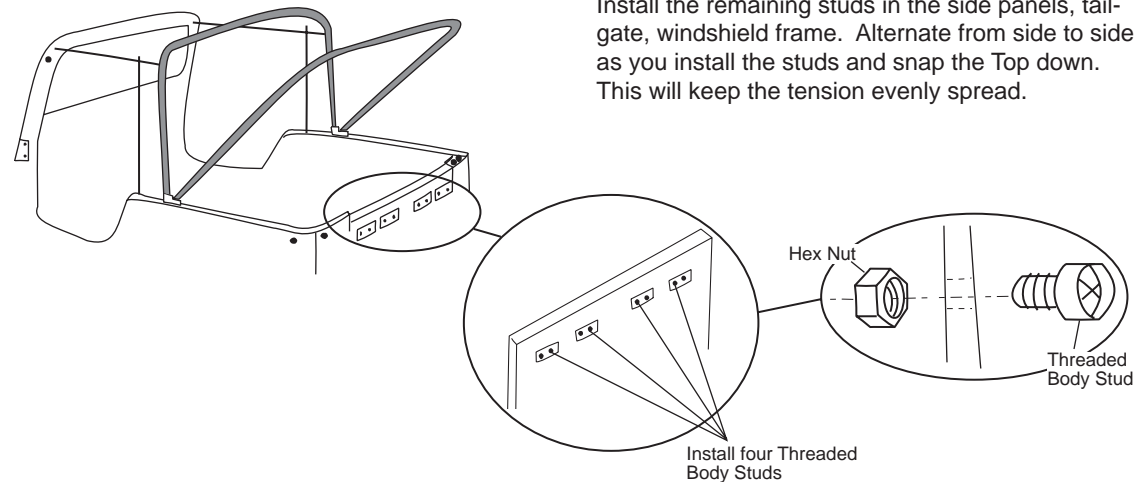
14 Install Front Studs

Now move to the front of the side panels. Pull the Top Fabric down and forward to eliminate wrinkles and to insure a proper fit. Install Body Studs here and on the opposite side. Snap the top to each new stud.

15 Install Remaining Studs and Threaded Body Studs

AT THE BOTTOM OF YOUR REAR CURTAIN, THERE IS A FLAP WITH FOUR SNAPS. THIS FLAP ALLOWS YOUR CONVERTIBLE TOP TO ADAPT TO THE TAILGATE YOU MAY OR MAY NOT HAVE. IF YOU HAVE A FLAT TAILGATE OR NO TAILGATE, USE THE SNAPS ON THE REAR CURTAIN. IF YOU HAVE A TAILGATE WITH AN EXTRUSION ON THE TOP, USE THE SNAPS ON THE FLAP.

Install the remaining studs in the side panels, tailgate, windshield frame. Alternate from side to side as you install the studs and snap the Top down. This will keep the tension evenly spread.



Specialty Tigertop™ – Installation Instructions



CAUTION

THE BREAKDOWN DOOR WAS DESIGNED FOR SHIPPING CONVENIENCE. USE DOOR IN FULLY ASSEMBLED POSITION ONLY ON THE VEHICLE. DO NOT DRIVE WITH THE DOOR IN THE BROKEN DOWN CONFIGURATION.

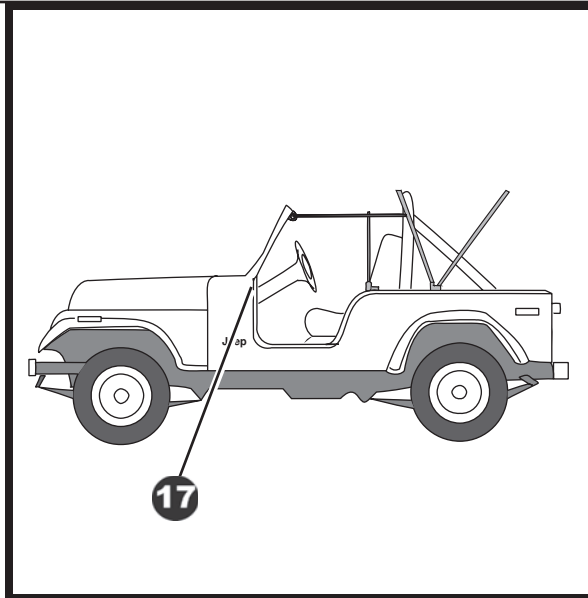
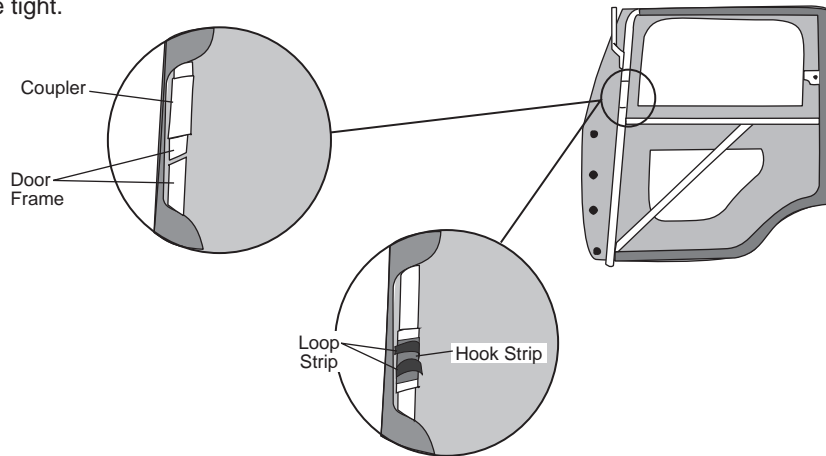
16 Assemble Door

Assemble the door by laying it on a clean, flat surface. Slide two couplers on the upper part of each door frame, one on the front section and one on the rear section. Line up the upper door frame and the lower door frame and slide the couplers down to the stop on the frame.

Attach 5/8" x 2" self adhesive hook on the coupler, centering it with the loop strip which is sewn into the door. Wrap loop around the coupler attaching it to the hook.

NOTE

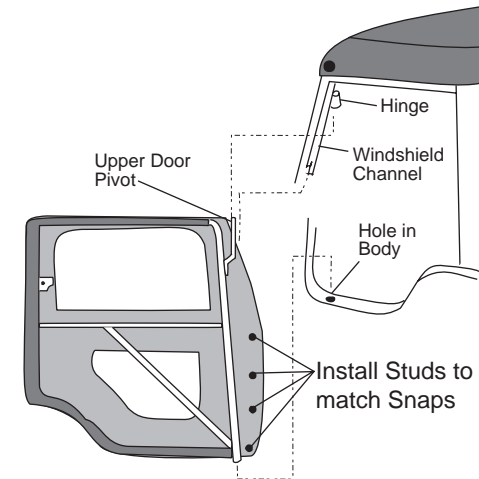
When the door is open a slight looseness is possible. When the door is in the closed position it will be tight.



17 Install Door on Vehicle

Hold the top of the door at a 90 degree angle to the Jeep® body and start the flange of door fabric into the bottom of the windshield channel as in Figure 12 below. Slide the door fabric up until the Upper Door Pivot is just below the upper hinge on the Jeep® body. Work the pivot into the hinge and slide up until the Lower Door Pivot is just above the hole in the body. Now lower the door until it is in place. Repeat for opposite door.

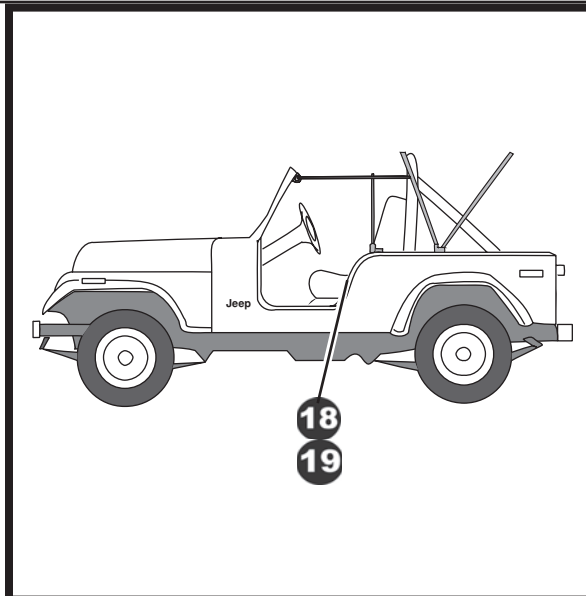
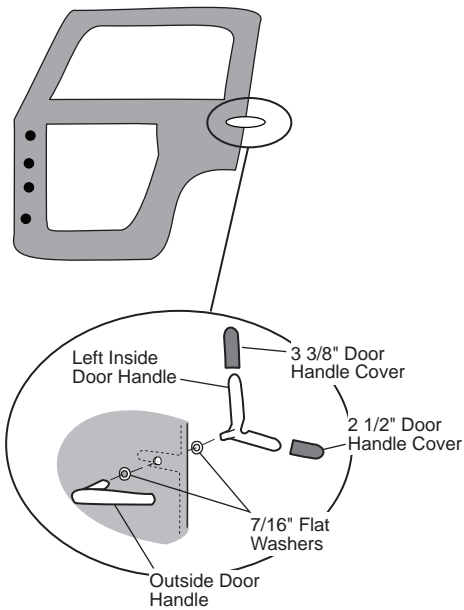
Install the body studs by marking the snaps on the door fabric with chalk and pulling the fabric taut against the Jeep® body. Drill 3/32 inch holes at the stud locations and mount each Body Stud with a #6 Sheet Metal screw. Repeat for opposite door.



Specialty Tigertop™ – Installation Instructions

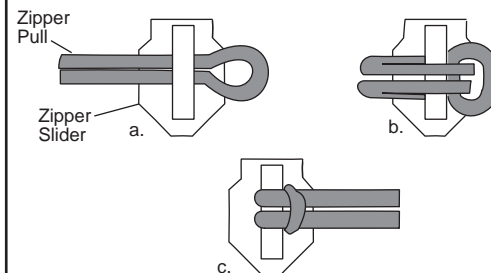
18 Assemble Door Handles

Assemble the Door Handles as shown. Tighten the set screws in the outside handles. The tension of the door may be adjusted by bending the inside handle.



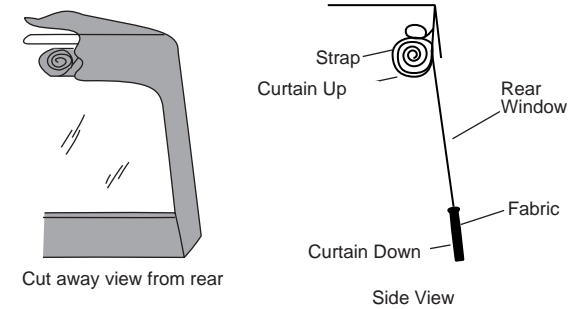
19 Check Door Fit

Check for proper door fitting by unzipping the door windows and visually inspecting for gaps between the Doors and the Jeep® body. You can contour-fit the door to the body by bending the door frame until the fit is snug. Now tie the zipper pulls on the zipper slides.



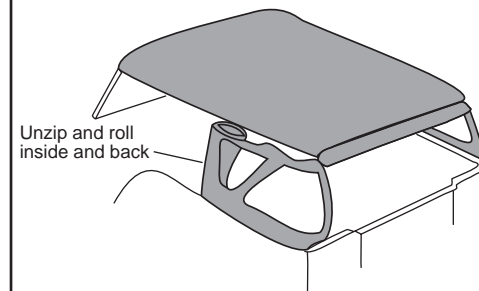
20 Rolling Rear Curtain

To roll the rear curtain, start at the bottom and roll to the inside, avoiding wrinkles in the fabric and windows. Secure with Curtain Strap.



21 Rolling Side Panels

To roll the side panels, you must first remove the Vertical Rod and unzip the panel. Roll to the inside and rear. Use the curtain straps to secure.



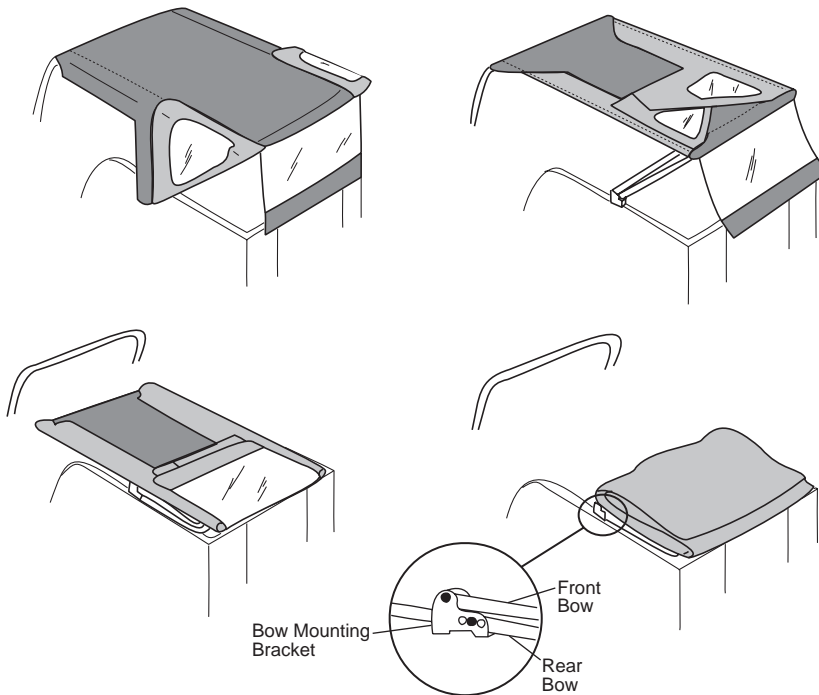
Specialty Tigertop™ – Installation Instructions

22 Folding the Top Down

Unsnap the rear and side panels and unzip the rear curtain zippers. Then remove both the Vertical and Horizontal Rods. Unfasten the Top from the Front Bow Assembly and push the Front Bow toward the Rear Bow.

Fold the side panel in half along the seam that separates the two window sections. Lay the folded side panel up over the Top, folding along the seam. Then fold the rear curtain up over the side panels.

Unfasten the Top from the windshield and lower the Top onto the vehicle as you push both Bows down and to the rear. Smooth out wrinkles and fold the Top in half from front to rear. You may then roll the Top to the back if you wish to keep it in the Jeep®, or you may remove the Bows from their mounting bracket by removing the clevis pins and hairpin keepers.



23 Storing the Top

Place sheets of paper over each window before storing. This will protect against scratches. Store the Top by folding and removing from vehicle. Keep the Top stored in its original shipping container in a cool, dry place.

If you do not want the Rear Bow covering the spare tire in your Jeep®, remove the Clevis pin and Keeper from the Rear Bow and slide the bow under the Front Bow in the Mounting Bracket. Re-secure the Rear Bow in the Bracket with the Clevis Pin and Keeper.

Specialty Tigertop™ – Installation Instructions

Care and Maintenance of your Bestop Product

Your Bestop product is made of the finest materials available. To keep it looking new and for the maximum possible wear, it will need periodic cleaning and maintenance.

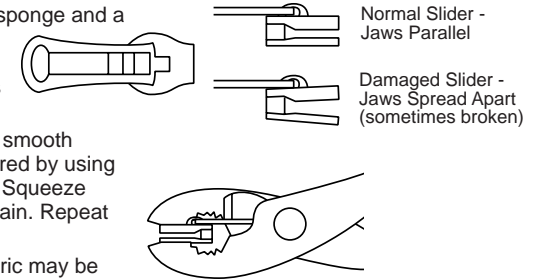
Washing: The fabric should be washed often using soap, warm water and a soft bristle brush. Rinse with clear water to remove all traces of soap or use Bestop-recommended Bestop Cleaner and Bestop Protectant. Bestop Cleaner and Bestop Protectant are specially formulated to provide a total cleaning and protection system. Bestop Cleaner will not harm vehicle finish, is biodegradable and environmentally friendly. Bestop Protectant protects against UV-fading, cracking and hardening.

Windows: Keep windows clean to avoid scratching. DO NOT use a brush on the windows! Wash with a water-soaked cloth or sponge and a mild dishwashing detergent or use Bestop-recommended Bestop Vinyl Window Cleaner, which safely cleans and protects vinyl windows while helping prevent UV damage. NEVER WIPE THE WINDOWS WHEN THEY ARE DRY. Be careful when cleaning snow or frost from the vinyl windows since they are easily scratched and may crack at low temperatures. DO NOT roll the sides or rear window in cold weather. The windows become stiff and will crack.

Zippers: Keeping the zipper cleaned and lubricated with a silicone lubricant will help prevent damage and keep the zippers in a smooth working condition. If a zipper opens behind the slider, the slider may have been spread apart. This problem can usually be repaired by using an ordinary pair of pliers to bring the sides back into parallel. Return slider to the end of the zipper in the normal Open position. Squeeze lightly at first and test the zipper. If the zipper continues to remain open squeeze more firmly with the pliers and try the zipper again. Repeat this procedure until the zipper operates correctly.

Water: Seeping through at the seams may be stopped by applying 3-M Scotchgard® on the inside of the seams. Rips in the fabric may be repaired with Bondex® iron on patches. Iron the patches to the Inside of the top, carefully following the Bondex® instructions.

Snaps: Keep snaps cleaned and lubricated with silicone to help prevent snaps from sticking to the studs. If a snap does become stuck to a stud, use a screwdriver and GENTLY pry apart to prevent permanent damage to the snap or the top fabric.



LIMITED WARRANTY

We warrant our product to be free from defects in material and workmanship, for the terms specified below, provided there has been normal use and proper maintenance. This warranty applies to the original purchaser only. All remedies under this warranty are limited to the repair or replacement of any item or items found by the factory to be defective within the time period specified. If you have a warranty claim, first you must call our factory at the number below for instructions. You must retain proof of purchase and submit a copy with any items returned for warranty work. Upon completion of warranty work, if any, we will return the repaired or replaced item or items to you freight prepaid. Damage to our products caused by accidents, fire, vandalism, negligence, misinstallation, misuse, Acts of God, or by defective parts not manufactured by us, is not covered under this warranty.

THE WARRANTY TIME PERIOD IS AS FOLLOWS FOR REPLACE-A-TOP™, SAILCLOTH REPLACE-A-TOP™, SUPERTOP®, SUPERTOP® REPLACEMENT SKINS, SUNRIDER®, AND TIGERTOP®: TWO YEARS FROM DATE OF PURCHASE.

THE WARRANTY TIME PERIOD IS AS FOLLOWS FOR ALL OTHER "SOFT GOODS" MANUFACTURED BY OUR COMPANY (USING PRIMARILY VINYL, PLASTICS, AND/OR FOAM): ONE YEAR FROM DATE OF PURCHASE.

THE WARRANTY TIME PERIOD IS AS FOLLOWS FOR ALL OTHER "HARD GOODS" MANUFACTURED BY OUR COMPANY (USING PRIMARILY METALS, PLASTICS, AND/OR FIBERGLASS): ONE YEAR FROM DATE OF PURCHASE.

ANY IMPLIED WARRANTIES OF MERCHANTABILITY AND/OR FITNESS FOR A PARTICULAR PURPOSE CREATED HEREBY ARE LIMITED IN DURATION TO THE SAME DURATION AND SCOPE AS THE EXPRESS WRITTEN WARRANTY. OUR COMPANY SHALL NOT BE LIABLE FOR ANY INCIDENTAL OR CONSEQUENTIAL DAMAGE.

Some states do not allow limitations on how long an implied warranty lasts, or the exclusion or limitation of incidental or consequential damages, so the above limitations or exclusions may not apply to you. This warranty gives you specific legal rights, and you may also have other rights which vary from state to state.



For further information or request for warranty work, please contact:

Bestop Inc., Customer Service
Toll-Free: (800)845-3567
Main: (303)465-1755
E-mail: csbestop@Bestop.com
Website: www.Bestop.com