



WINDSHIELD RETAINER KIT

Installation Instructions

PART NUMBER: 51209

**CJ5, CJ7, 1986-1995 Wrangler,
Toyota FJ40 Landcruiser 1964-1984**

DO NOT INSTALL THIS PRODUCT ON ANY VEHICLE OTHER THAN THOSE LISTED ABOVE.

This product is only designed for the vehicles listed above. Failure to install this product on the proper vehicle could cause injury to the vehicle occupants and damage to the product.

Note: Please read this manual thoroughly before beginning the installation. After completing installation, keep this manual for future reference.

Tools You Will Need

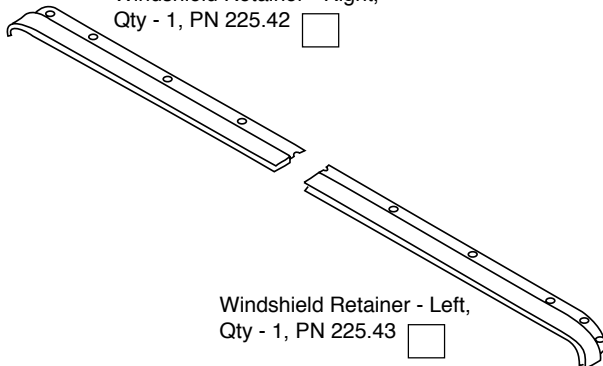
- A pencil
- A Phillips head screwdriver
- A hammer
- A center punch
- A 1/8" drill bit and a power drill
- Safety Glasses

CAUTION: A loose windshield retainer may allow the top to disengage from the windshield, causing damage to the top and possible injury to the occupants of the vehicle. Make certain that the windshield retainer is securely fastened to the windshield at the time of first installation. Check the tightness of the mounting screws every three months. (Do not over-tighten.) Safety Glasses should be worn at all times while installing this product.

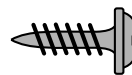
Parts List and Hardware Identification

Check off each item

Windshield Retainer - Right,
Qty - 1, PN 225.42



Windshield Retainer - Left,
Qty - 1, PN 225.43



#8 x 1/2" Pan Head
Washer Screw - Black,
Qty - 13, PN 200.48

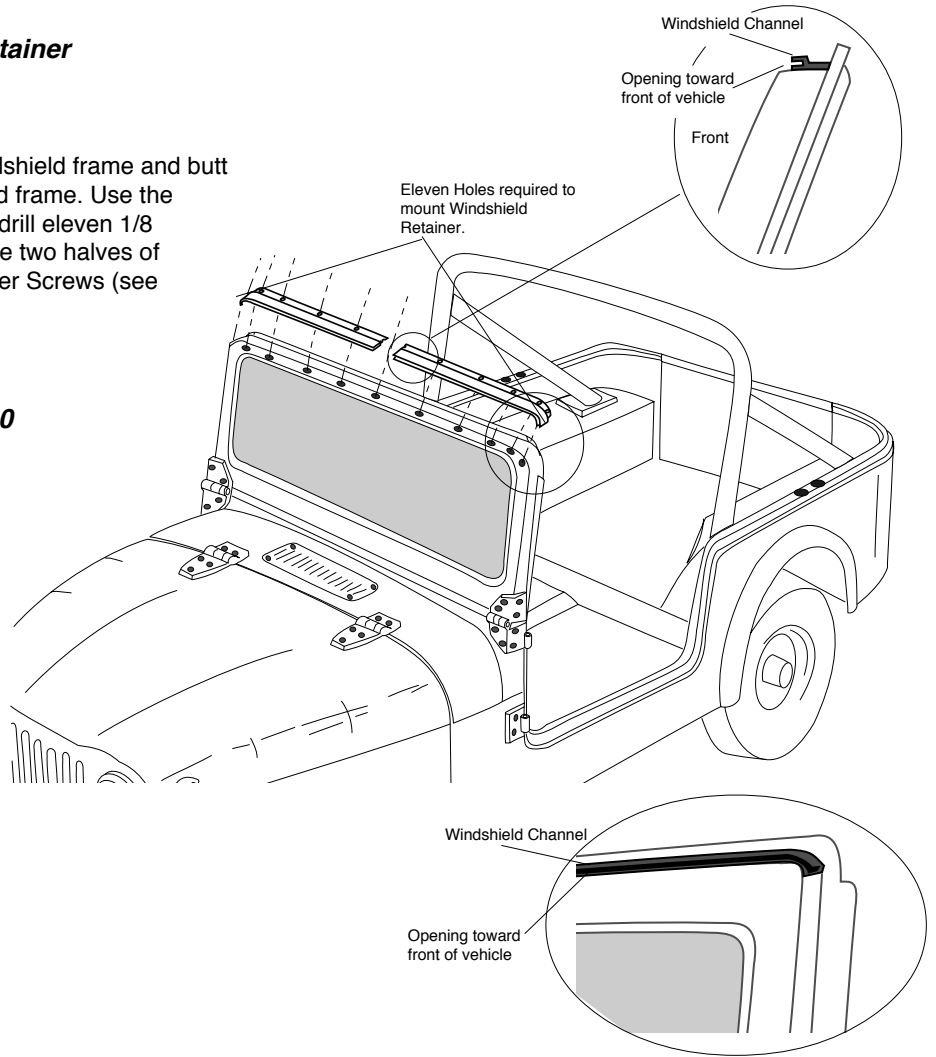
Because of Generic Packaging, extra parts may be included.

Windshield Retainer

Step One

Center the Windshield Retainers on top of the windshield frame and butt the retainers up against the top lip of the windshield frame. Use the retainers as a template to mark, center punch and drill eleven 1/8 inch holes (Note: drill one 1/8 inch hole between the two halves of the retainer.) Use eleven #8 x 1/2 Pan Head Washer Screws (see Figure 1).

Figure 10



For Bestop Warranty Information, Please go to;
<https://www.bestop.com/help/warranty-information/>

