










Installation Instructions Under Seat and Universal Lock Box

Vehicle Application:

- Jeep TJ Wrangler and Wrangler Unlimited
1997 – 2006
Part Number: 42641
- Universal Applications 12" x 8-1/2" x 3"

www.Bestop.com - We're here to help! Visit our web site and click on "Ask a Question". Click here for more [Jeep® Accessories by Bestop.](#)

INSTALLATION TIME	SKILL LEVEL
 15 min	1 2 3 4 1 - Easy


TOOLS				
 13mm	 1/4"	 1/4"	 #50	
 Safety Glasses				




Installation Tips

Before you begin installing this assembly, read all instructions thoroughly.

This Lock Box is designed to be used on the model vehicles described above. Use of this Lock Box in any other vehicles or failure to install this Lock Box properly may result in an improperly mounted seat and could result in unexpected movement of the seat and loss of control of the vehicle, thereby placing the occupants of the vehicle and others in a potentially dangerous situation.

 **CAUTION** Safety glasses should be worn at all times while installing this product.

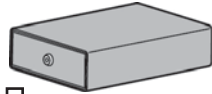
 **WARNING** Ensure this Lock Box is securely shut and locked before operating the vehicle. Failure to do so could result in the drawer opening creating a potentially hazardous driving situation.

WEAR SEAT BELTS AT ALL TIMES

Read and follow, precisely, all installation instructions provided when installing product. Failure to do so may result in a poor fit and could place occupants of the vehicle in a potentially dangerous situation.

Under Seat Lock Box Installation Instructions

Parts List



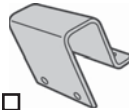
Lock Box, Part Number 499.82, Qty - 1



Key, Qty - 2



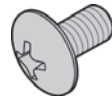
Mounting Bracket, Part Number 499.83, Qty - 1



Foot, Part Number 476.15, Qty - 1



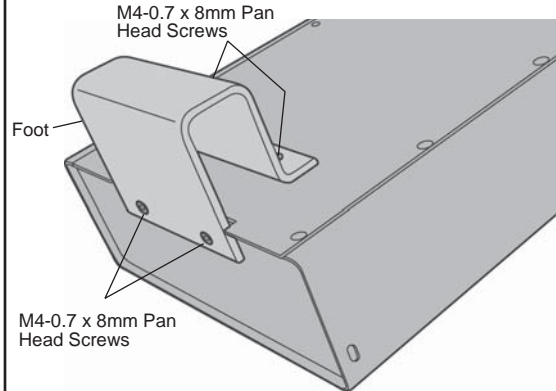
Security Cable, Part Number 476.14, Qty - 1



M4-0.7 x 8mm Pan Head Screw, Part Number 499.86, Qty - 8

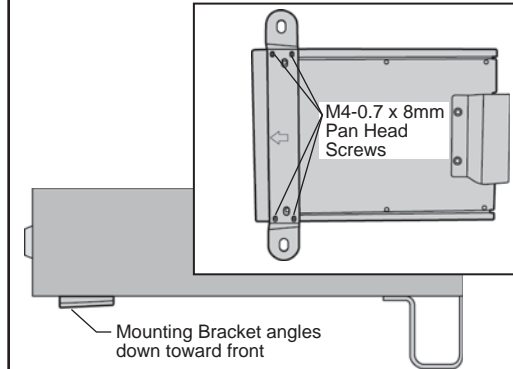
1 Permanent Installation – Install Foot

To permanently install the Lock Box under the front seat, use the M4-0.7 x 8mm Pan Head Screws to mount the foot to the bottom of the box.



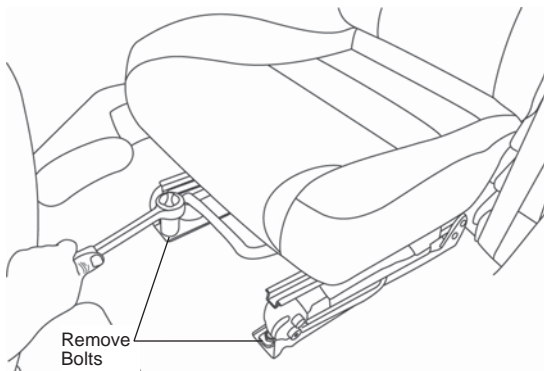
2 Install Mounting Bracket

Orient the Mounting Bracket so it angles down towards the front and the arrow on the bottom points toward the front of the box. Attach it to the bottom of the Lock Box with four M4-0.7 x 8mm Pan Head Screws.



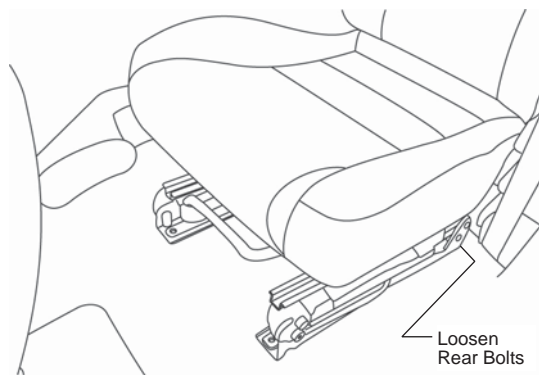
3 Remove Front Seat Mount Bolts

Slide the driver's side seat back to access the front seat bracket bolts. Use a 13 mm socket to remove the bolts. Set them aside to be reused later.



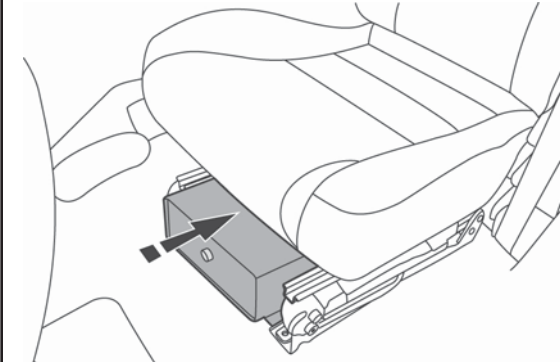
4 Loosen Rear Seat Mount Bolts

Use a #50 Torx and a universal joint to loosen the rear seat mount bolts. Do not remove them.



5 Slide Lock Box Under Seat

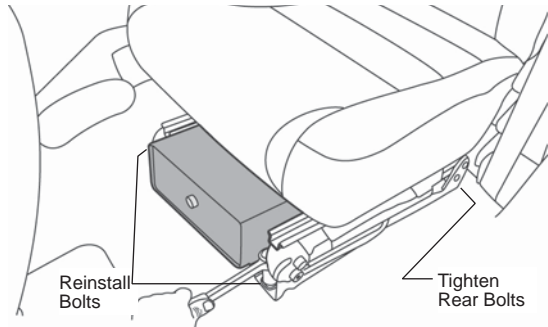
Tip the seat back and slide the Lock Box under the seat with the tabs under the brackets. Align the mounting holes with the holes in the seat brackets. Make sure the foot is not on top of any wires.



Under Seat Lock Box Installation Instructions

6 Reinstall Seat Bracket Bolts

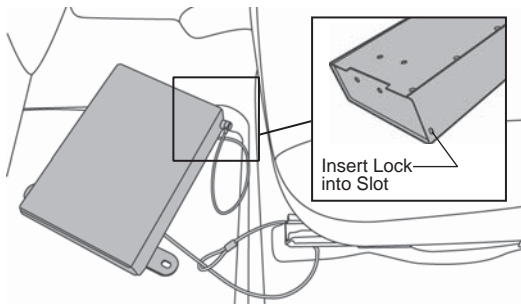
Reinstall the bolts removed in Step 3 to secure the Lock Box to the seat mounting brackets. Loosely tighten the rear seat mount bolts. Slide the seat back and forth to make sure it operates easily. Tighten all bolts securely.



7 Universal Installation – Secure Cable

For a quick installation, wrap the looped end of the cable around a secure object. Thread the lock end of the cable through the loop. Insert the lock into the slot on the Lock Box. Turn and remove the key.

Secure the box in a location where it will not interfere with vehicle operation.



LIMITED WARRANTY

We warrant our product to be free from defects in material and workmanship, for the terms specified below, provided there has been normal use and proper maintenance. This warranty applies to the original purchaser only. All remedies under this warranty are limited to the repair or replacement of any item or items found by the factory to be defective within the time period specified. If you have a warranty claim, first you must call our factory at the number below for instructions. You must retain proof of purchase and submit a copy with any items returned for warranty work. Upon completion of warranty work, if any, we will return the repaired or replaced item or items to you freight prepaid. Damage to our products caused by accidents, fire, vandalism, negligence, misinstallation, misuse, Acts of God, or by defective parts not manufactured by us, is not covered under this warranty.

THE WARRANTY TIME PERIOD IS AS FOLLOWS FOR REPLACE-A-TOP™, SAILCLOTH REPLACE-A-TOP™, SUPERTOP®, SUPERTOP® REPLACEMENT SKINS, SUNRIDER®, AND TIGERTOP®: TWO YEARS FROM DATE OF PURCHASE.

THE WARRANTY TIME PERIOD IS AS FOLLOWS FOR ALL OTHER “SOFT GOODS” MANUFACTURED BY OUR COMPANY (USING PRIMARILY VINYL, PLASTICS, AND/OR FOAM): ONE YEAR FROM DATE OF PURCHASE.

THE WARRANTY TIME PERIOD IS AS FOLLOWS FOR ALL OTHER “HARD GOODS” MANUFACTURED BY OUR COMPANY (USING PRIMARILY METALS, PLASTICS, AND/OR FIBERGLASS): ONE YEAR FROM DATE OF PURCHASE.

ANY IMPLIED WARRANTIES OF MERCHANTABILITY AND/OR FITNESS FOR A PARTICULAR PURPOSE CREATED HEREBY ARE LIMITED IN DURATION TO THE SAME DURATION AND SCOPE AS THE EXPRESS WRITTEN WARRANTY. OUR COMPANY SHALL NOT BE LIABLE FOR ANY INCIDENTAL OR CONSEQUENTIAL DAMAGE.

Some states do not allow limitations on how long an implied warranty lasts, or the exclusion or limitation of incidental or consequential damages, so the above limitations or exclusions may not apply to you. This warranty gives you specific legal rights, and you may also have other rights which vary from state to state.



For further information or request for warranty work, please contact:

Bestop Inc. Customer Service

Toll-Free: (800)845-3567

Main: (303)465-1755

E-mail: csbestop@Bestop.com

Website: www.Bestop.com