



Installation Instructions EZ-Fold Tonneau

No Drilling in Truck Bed Required


Vehicle Application:


- Chevrolet Silverado & GMC Sierra 19-C (new body style)
5.8' Beds
Part Number: 16224

- Chevrolet Silverado & GMC Sierra 19-C (new body style)
6.5' Beds
Part Number: 16225

- Chevrolet Silverado & GMC Sierra 19-C (new body style)
8' Beds
Part Number: 16226

www.Bestop.com - We're here to help! Visit our web site and click on "[Ask a Question](#)". Click here for more [Truck Accessories by Bestop](#).

INSTALLATION TIME	SKILL LEVEL
 Less than 15 minutes	<div style="display: flex; justify-content: space-around;"> 1 2 3 4 </div> 1 - Easy

TOOLS
<div style="border: 1px solid black; padding: 5px; width: fit-content;">  Safety Glasses </div>



Installation Tips

Before you begin installing this assembly, read all instructions thoroughly.

Check and secure all clamps to bed frame as indicated in the installation instructions before operating your vehicle.

Tonneau cover clamps must be securely attached prior to vehicle operation.

Secure retaining straps when cover is in open position.



CAUTION

Safety glasses should be worn at all times while installing this product.

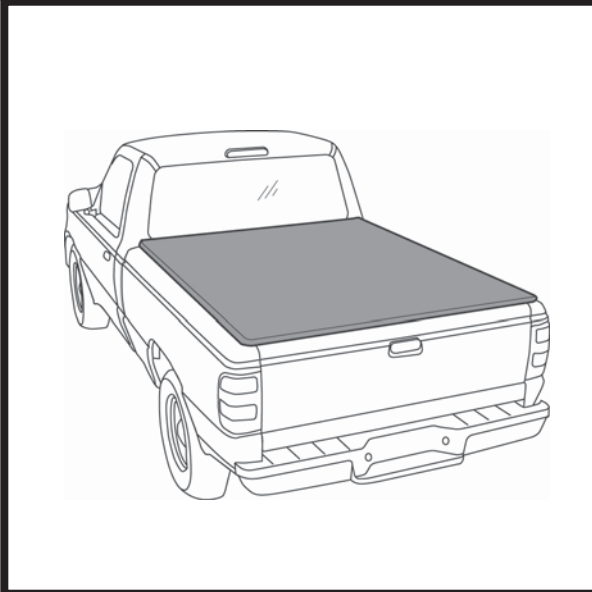
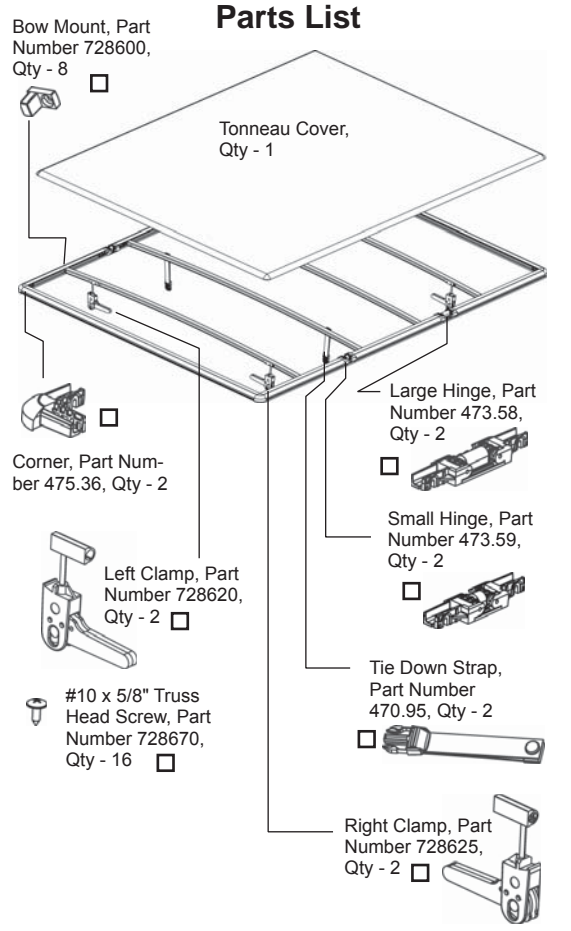


WARNING

The buckle of each retaining strap and both clamps must be fastened securely to avoid damage to personal property or possible personal injury.

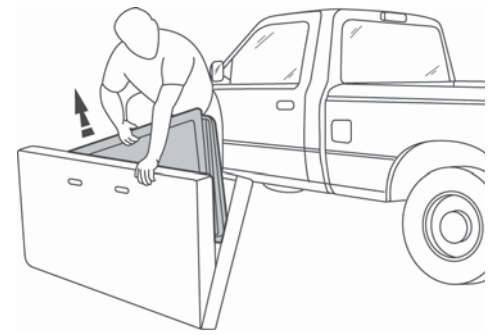
If the vehicle has an Over-the-Rail Bedliner, use a certified installer to perform the initial installation. Modifications to the Bedliner may be required.

EZ-Fold Tonneau Installation Instructions



1 Remove EZ-Fold Tonneau from Box

Take fully assembled EZ-Fold Tonneau out of box and unfold.



2 Place Tonneau on Bed

Place the Tonneau on the vehicle with the retaining straps facing up. Align the outside edge of the front rail with the outside edge of the bed. Center the Tonneau from side to side.

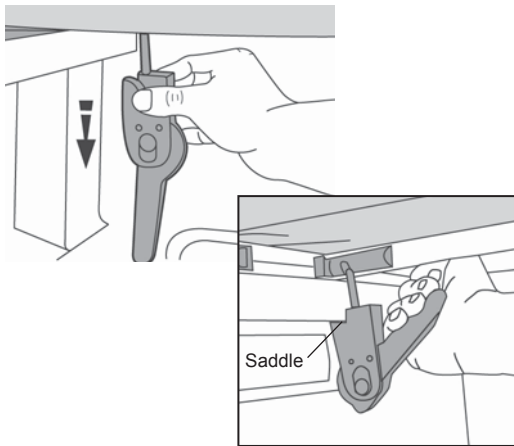


EZ-Fold Tonneau Installation Instructions

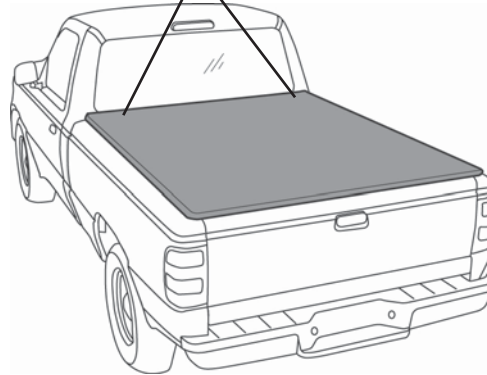
3 Release Front Clamp

On the driver's side, reach under the Tonneau and rotate the front clamp down from the storage position.

Push the top saddle part of the clamp down and adjust the clamp by rotating it clockwise to loosen or counter-clockwise to tighten.

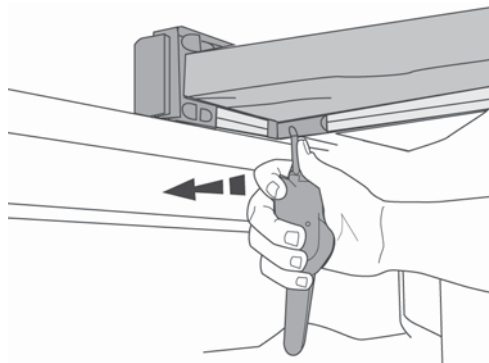


3 4 5



4 Position Front Clamp

Slide the clamp to the end of the bow. Position the notched section of the saddle under the inner lip of the truck bed.

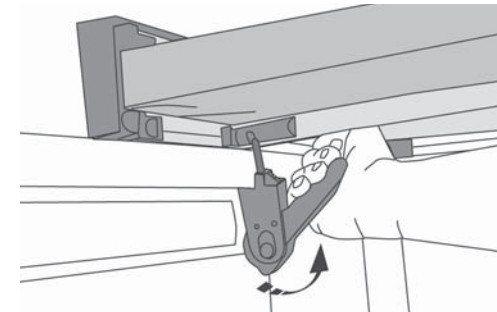


5 Secure Front Clamp

Pull the handle up to secure the clamp.

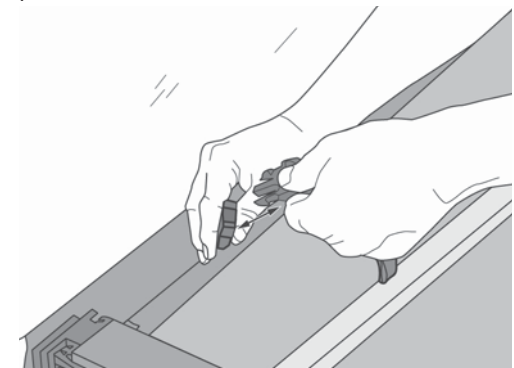
Repeat Steps 3 – 5 on the passenger side.

NOTE Make sure clamps are secure before operating vehicle.



6 Unbuckle Retaining Straps

Unbuckle the retaining straps – one buckle per strap.

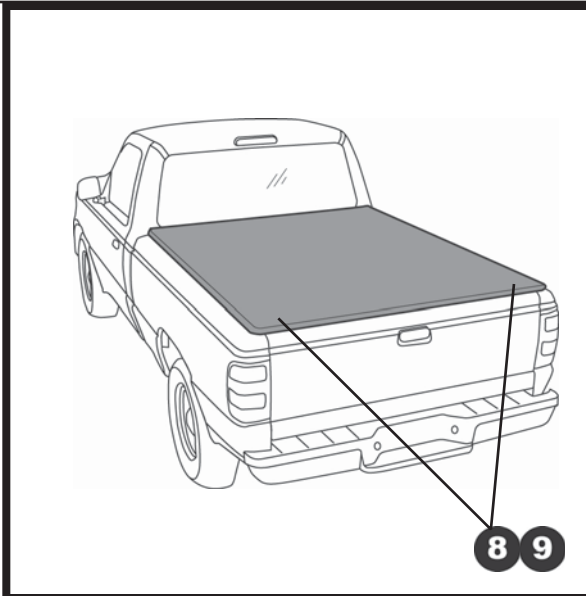
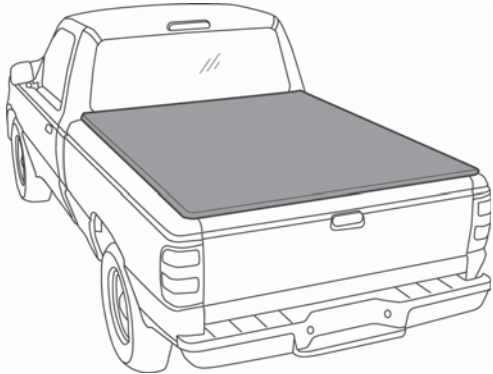
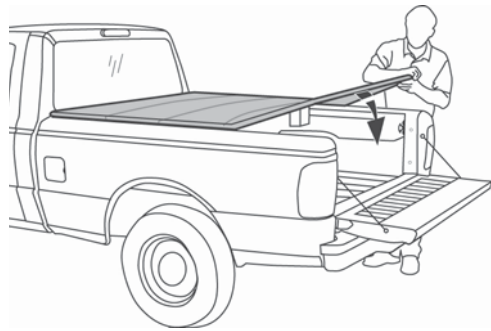


EZ-Fold Tonneau Installation Instructions

7 Secure Tonneau

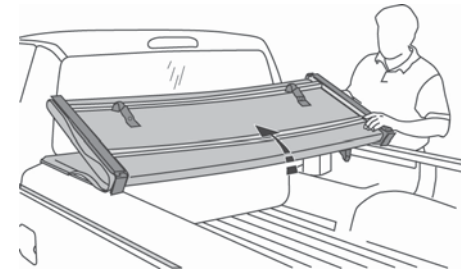
Lower the tailgate and unfold the Tonneau to cover the bed.

Repeat Steps 3 – 5 to secure the rear clamps on both sides of the vehicle.



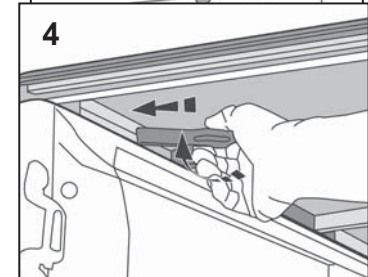
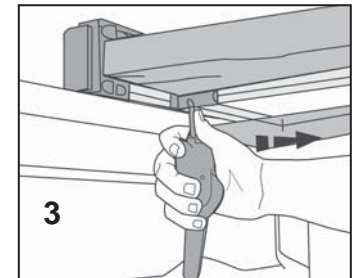
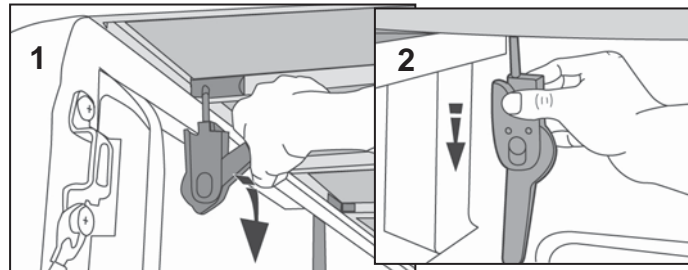
9 Driving with the Tonneau Open Fold Tonneau Forward

Fold the Tonneau toward the front of the vehicle.



8 Driving with the Tonneau Open Release Rear Clamps

Pull down on the handle to release the rear clamp on the driver's side.
Push down on the saddle to release it from the inner lip of the truck bed.
Slide clamp toward inside of bed.
Place clamp in horizontal storage position.
Repeat on the passenger side.



EZ-Fold Tonneau Installation Instructions



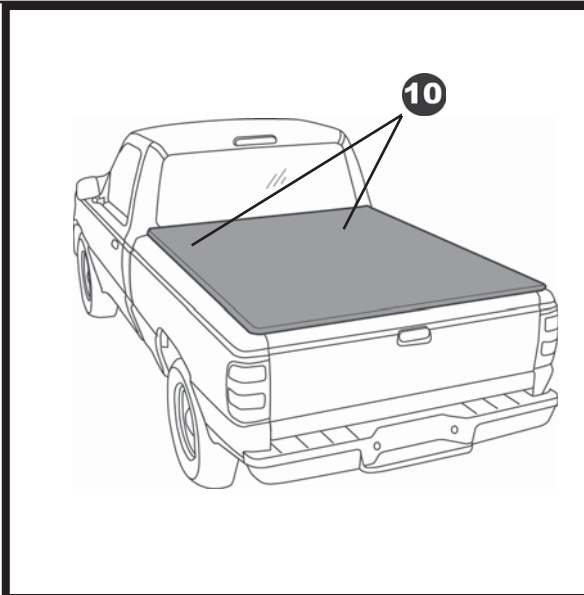
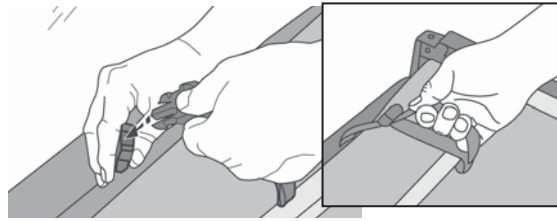
WARNING

The buckle of each retaining strap and both clamps must be fastened securely to avoid damage to property or possible personal injury.

10 Driving with the Tonneau Open Secure Retaining Straps

Buckle one of the retaining straps to the front rail of the Tonneau.

Pull the end of the strap to tighten. Repeat with both retaining straps.



EZ-Fold Tonneau Installation Instructions

Care and Maintenance of your Bestop Product

Your Bestop product is made of the finest materials available. To keep it looking new and for the maximum possible wear, it will need periodic cleaning and maintenance.

Washing: The fabric should be washed often using soap, warm water and a soft bristle brush. Rinse with clear water to remove all traces of soap or use Bestop-recommended Bestop Cleaner and Bestop Protectant. Bestop Cleaner and Bestop Protectant are specially formulated to provide a total cleaning and protection system. Bestop Cleaner will not harm vehicle finish, is biodegradable and environmentally friendly. Bestop Protectant protects against UV-fading, cracking and hardening.

Water: Seeping through at the seams may be stopped by applying 3-M Scotchgard® on the inside of the seams. Rips in the fabric may be repaired with Bondex® iron on patches. Iron the patches to the Inside of the top, carefully following the Bondex® instructions.

Snaps: Keep snaps cleaned and lubricated to help prevent snaps from sticking to the studs. If a snap does become stuck to a stud, use a screwdriver and GENTLY pry apart to prevent permanent damage to the snap or the fabric.

BESTOP TONNEAU COVERS LIMITED LIFETIME WARRANTY

What's covered?

All defects in materials or workmanship on Bestop Tonneau Covers for pick-up truck beds. This warranty does not apply to other Bestop products.

This warranty and any implied warranties including merchantability and fitness for a particular purpose, lasts as long as the original retail purchaser owns the vehicle upon which the tonneau cover is installed. The warranty expires should the product be removed from the original vehicle or if the original vehicle is transferred to another owner. This warranty is not transferable.

What Bestop will do.

During the warranty period as written above, Bestop shall, at its option, either repair or replace any defective product at no charge. Bestop will not pay for labor charges associated with installation or removal of the product. Should a specific product be discontinued, Bestop may, at its option replace the discontinued product with a current product or like product.

The Warranty does not cover:

Damage, defect, or malfunction caused by misuse, abuse, accident, fire, improper installation, modification, improper or inadequate maintenance, or hazards, or acts of God. Incidental or consequential damages are not covered under this warranty. Some states do not allow exclusion or limitation, so this may not apply to you. This warranty gives you specific legal rights, and you may have other rights which vary from state to state.

Warranty Service:

Retain your proof of purchase. Proof of purchase must accompany any warranty claim. A defective item should be returned to the place of purchase. Bestop's Customer Service may be contacted for help determining whether a product is defective. Bestop Customer Service may be reached a 1-800-845-3567, or via e-mail at cs@bestop.com.



For further information or request for warranty work, please contact:
Bestop Inc., Customer Service
Toll-Free: (800)845-3567
Main: (303)465-1755
E-mail: csbestop@Bestop.com
Website: www.Bestop.com
