



# Installation Instructions EZ-Fold Tonneau


No Drilling in Truck Bed Required



## Vehicle Application:

•Nissan Titan  
5.5' Bed  
2004 – Current  
Part Number: 16170

•Nissan Titan  
6.5' Bed  
2004 – Current  
Part Number: 16175

[www.Bestop.com](http://www.Bestop.com) - We're here to help! Visit our web site and click on "[Ask a Question](#)". Click here for more [Truck Accessories by Bestop](#).

INSTALLATION TIME	SKILL LEVEL
 <b>Less than 15 minutes</b>	<div style="display: flex; justify-content: space-around; align-items: center;"> <div style="border: 1px solid black; border-radius: 50%; width: 30px; height: 30px; display: flex; align-items: center; justify-content: center;">1</div> <div style="border: 1px solid black; border-radius: 50%; width: 30px; height: 30px; display: flex; align-items: center; justify-content: center;">2</div> <div style="border: 1px solid black; border-radius: 50%; width: 30px; height: 30px; display: flex; align-items: center; justify-content: center;">3</div> <div style="border: 1px solid black; border-radius: 50%; width: 30px; height: 30px; display: flex; align-items: center; justify-content: center;">4</div> </div> <p style="text-align: center;">1 - Easy</p>

TOOLS	
 Safety Glasses	 Power Drill 5/16" Socket



## Installation Tips

Before you begin installing this assembly, read all instructions thoroughly.

Check and secure all clamps to bed frame as indicated in the installation instructions before operating your vehicle.

Tonneau cover clamps must be securely attached prior to vehicle operation.

Secure retaining straps when cover is in open position.



## CAUTION

Safety glasses should be worn at all times while installing this product.



## WARNING

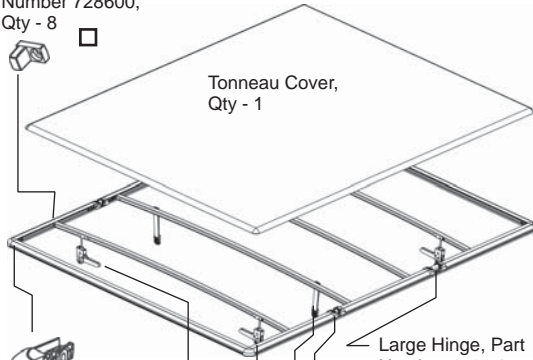
The buckle of each retaining strap and both clamps must be fastened securely to avoid damage to personal property or possible personal injury.

If the vehicle has an Over-the-Rail Bedliner, use a certified installer to perform the initial installation. Modifications to the Bedliner may be required.

# EZ-Fold Tonneau Installation Instructions

## Parts List

Bow Mount, Part Number 728600, Qty - 8



Tonneau Cover, Qty - 1

Corner, Part Number 475.36, Qty - 2



Large Hinge, Part Number 473.58, Qty - 2



Small Hinge, Part Number 473.59, Qty - 2



Left Clamp, Part Number 728620, Qty - 2



Tie Down Strap, Part Number 470.95, Qty - 2



#10 x 5/8" Truss Head Screw, Part Number 728670, Qty - 16



Right Clamp, Part Number 728625, Qty - 2



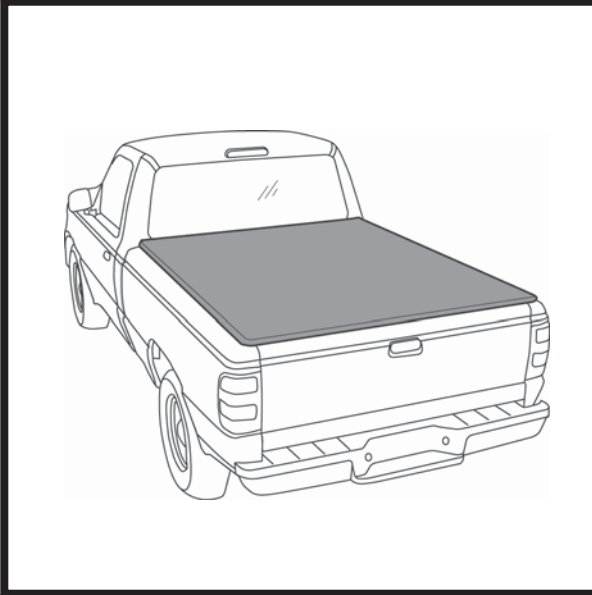
Outer Clamp, Part Number 514.38, Qty - 4



Tapping Plate, Part Number 514.37, Qty - 4



#10 Self Drilling Screw, Part Number 514.35, Qty - 8



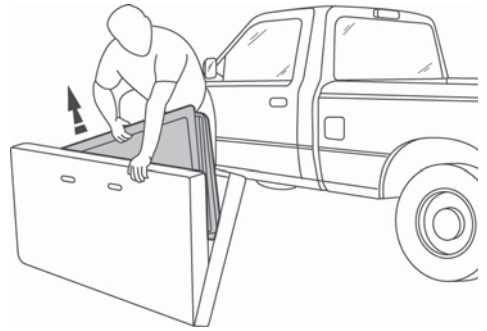
## 2 Place Tonneau on Bed

Place the Tonneau on the vehicle with the retaining straps facing up. Align the outside edge of the front rail with the outside edge of the bed. Center the Tonneau from side to side.



## 1 Remove EZ-Fold Tonneau from Box

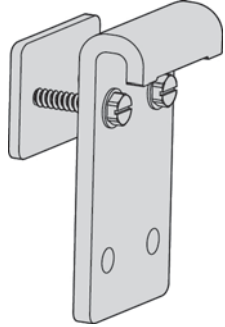
Take fully assembled EZ-Fold Tonneau out of box and unfold.



## Trucks with Track System Only

### 3 Assemble Outer Clamp to Tapping Plate

Use the #10 Self Drilling Screws and a drill to start the screws through the Outer Clamps into the Tapping Plates.

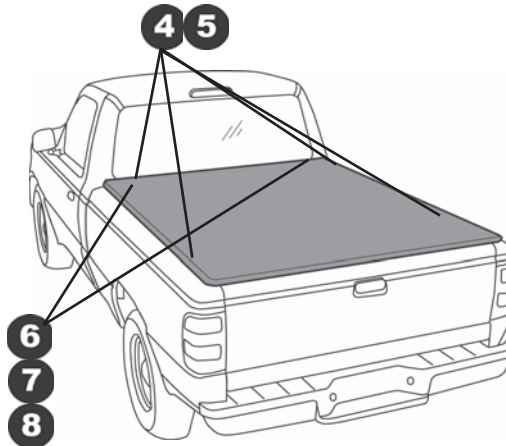
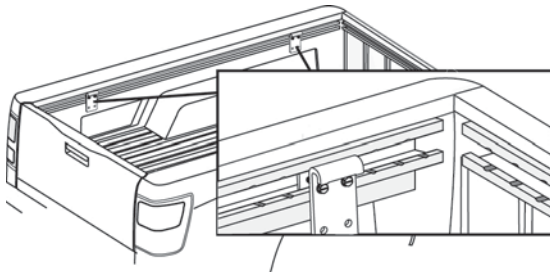


# EZ-Fold Tonneau Installation Instructions

## Trucks with Track System Only

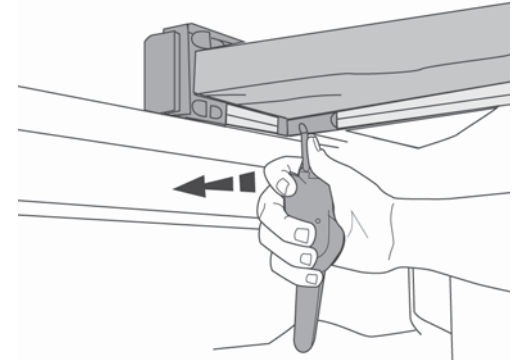
### 4 Position Outer Clamp Assemblies

Remove the track end caps. Slide two (2) of the Outer Clamp Assemblies into the track on each side. Place them approximately 10" from the front and rear ends of the track system. Replace the end caps.



### 7 Position Front Clamp

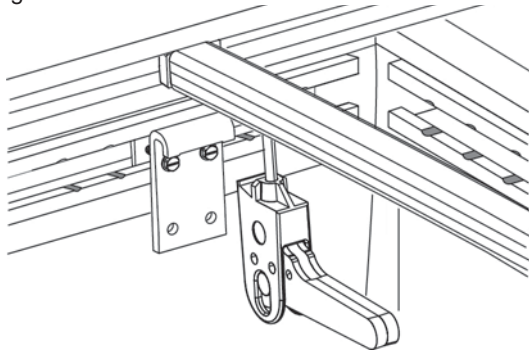
Slide the clamp to the end of the bow. Position the notched section of the saddle under the inner lip of the truck bed.



## Trucks with Track System Only

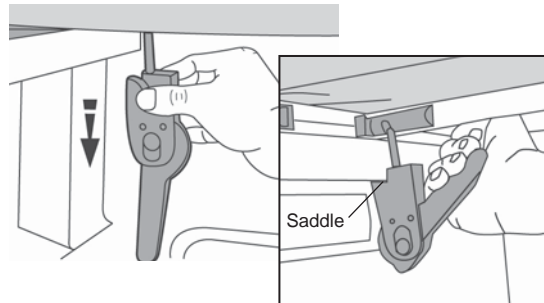
### 5 Secure Outer Clamps

Align the Outer Clamp with the tonneau latches and make sure that they are centered with each other. Tighten the screws.



### 6 Release Front Clamp

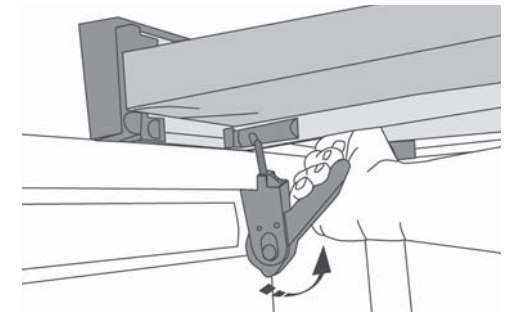
On the driver's side, reach under the Tonneau and rotate the front clamp down from the storage position. Push the top saddle part of the clamp down and adjust the clamp by rotating it clockwise to loosen or counter-clockwise to tighten.



### 8 Secure Front Clamp

Pull the handle up to secure the clamp. Repeat Steps 6 – 8 on the passenger side.

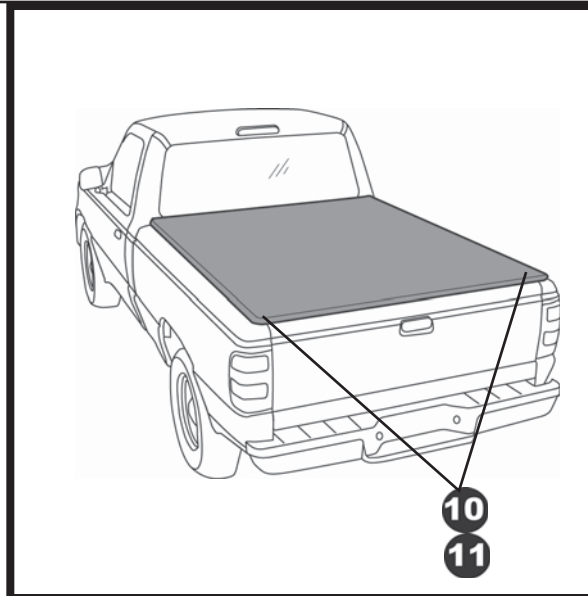
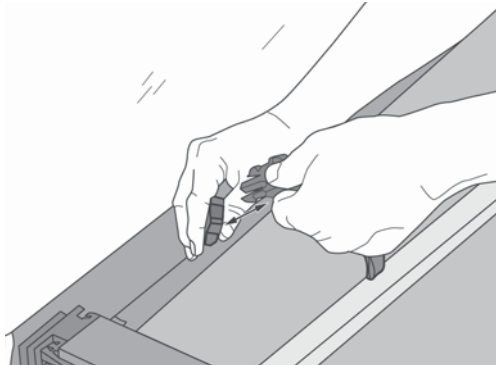
**NOTE** Make sure clamps are secure before operating vehicle.



## EZ-Fold Tonneau Installation Instructions

### 9 Unbuckle Retaining Straps

Unbuckle the retaining straps – one buckle per strap.



### 11 Driving with the Tonneau Open Release Rear Clamps

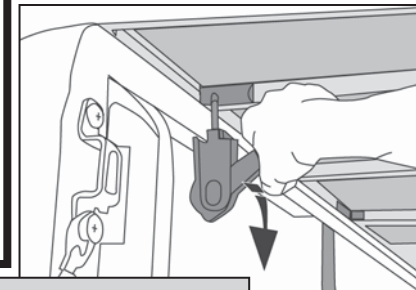
Pull down on the handle to release the rear clamp on the driver's side.

Push down on the saddle to release it from the inner lip of the truck bed.

Slide clamp toward inside of bed.

Place clamp in horizontal storage position.

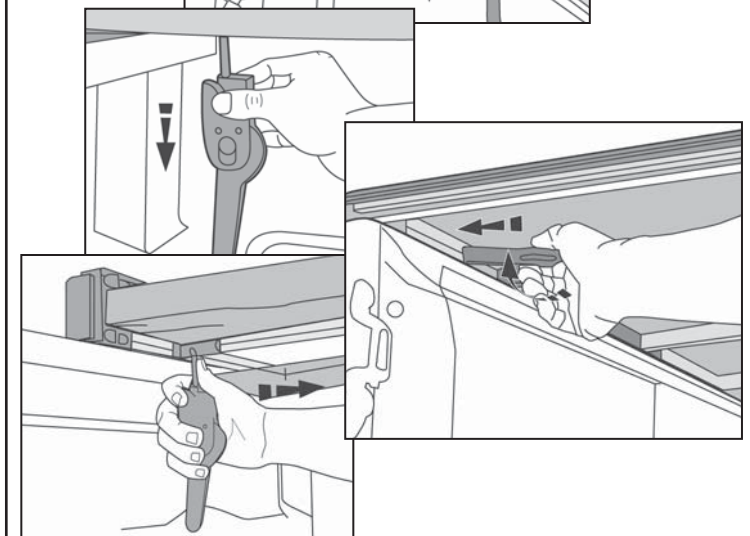
Repeat on the passenger side.



### 10 Secure Tonneau

Lower the tailgate and unfold the Tonneau to cover the bed.

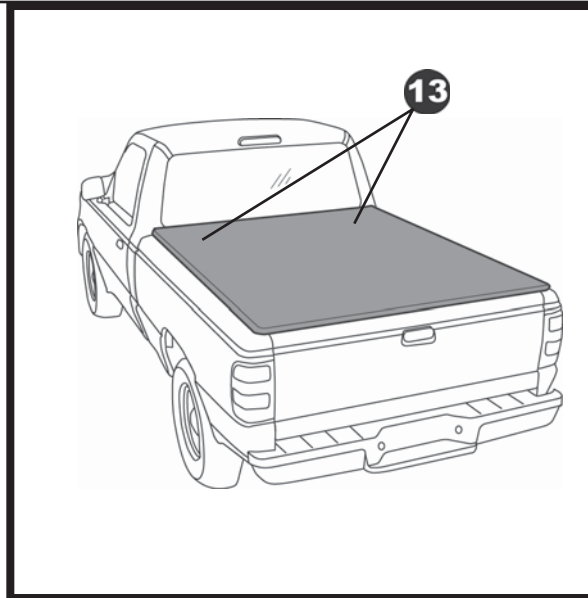
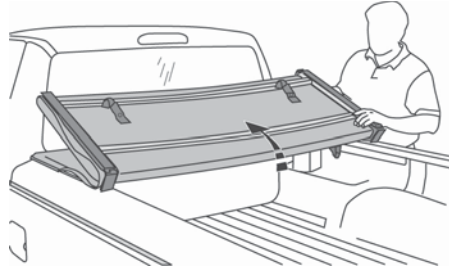
Repeat Steps 3 – 5 to secure the rear clamps on both sides of the vehicle.



## EZ-Fold Tonneau Installation Instructions

### 12 Driving with the Tonneau Open Fold Tonneau Forward

Fold the Tonneau toward the front of the vehicle.



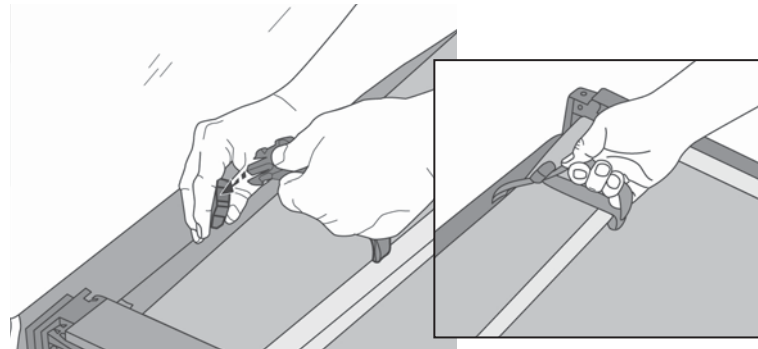
### WARNING

The buckle of each retaining strap and both clamps must be fastened securely to avoid damage to property or possible personal injury.

### 13 Driving with the Tonneau Open Secure Retaining Straps

Buckle one of the retaining straps to the front rail of the Tonneau.

Pull the end of the strap to tighten. Repeat with both retaining straps.



## EZ-Fold Tonneau Installation Instructions

---

### Care and Maintenance of your Bestop Product

Your Bestop product is made of the finest materials available. To keep it looking new and for the maximum possible wear, it will need periodic cleaning and maintenance.

**Washing:** The fabric should be washed often using soap, warm water and a soft bristle brush. Rinse with clear water to remove all traces of soap or use Bestop-recommended Bestop Cleaner and Bestop Protectant. Bestop Cleaner and Bestop Protectant are specially formulated to provide a total cleaning and protection system. Bestop Cleaner will not harm vehicle finish, is biodegradable and environmentally friendly. Bestop Protectant protects against UV-fading, cracking and hardening.

**Water:** Seeping through at the seams may be stopped by applying 3-M Scotchgard® on the inside of the seams. Rips in the fabric may be repaired with Bondex® iron on patches. Iron the patches to the Inside of the top, carefully following the Bondex® instructions.

**Snaps:** Keep snaps cleaned and lubricated to help prevent snaps from sticking to the studs. If a snap does become stuck to a stud, use a screwdriver and GENTLY pry apart to prevent permanent damage to the snap or the fabric.

---

### BESTOP TONNEAU COVERS LIMITED LIFETIME WARRANTY

#### What's covered?

All defects in materials or workmanship on Bestop Tonneau Covers for pick-up truck beds. This warranty does not apply to other Bestop products.

This warranty and any implied warranties including merchantability and fitness for a particular purpose, lasts as long as the original retail purchaser owns the vehicle upon which the tonneau cover is installed. The warranty expires should the product be removed from the original vehicle or if the original vehicle is transferred to another owner. This warranty is not transferable.

#### What Bestop will do.

During the warranty period as written above, Bestop shall, at its option, either repair or replace any defective product at no charge. Bestop will not pay for labor charges associated with installation or removal of the product. Should a specific product be discontinued, Bestop may, at its option replace the discontinued product with a current product or like product.

#### The Warranty does not cover:

Damage, defect, or malfunction caused by misuse, abuse, accident, fire, improper installation, modification, improper or inadequate maintenance, or hazards, or acts of God. Incidental or consequential damages are not covered under this warranty. Some states do not allow exclusion or limitation, so this may not apply to you. This warranty gives you specific legal rights, and you may have other rights which vary from state to state.

#### Warranty Service:

Retain your proof of purchase. Proof of purchase must accompany any warranty claim. A defective item should be returned to the place of purchase. Bestop's Customer Service may be contacted for help determining whether a product is defective. Bestop Customer Service may be reached a 1-800-845-3567, or via e-mail at [cs@bestop.com](mailto:cs@bestop.com).



For further information or request for warranty work, please contact:  
Bestop Inc., Customer Service  
Toll-Free: (800)845-3567  
Main: (303)465-1755  
E-mail: [csbestop@Bestop.com](mailto:csbestop@Bestop.com)  
Website: [www.Bestop.com](http://www.Bestop.com)

---