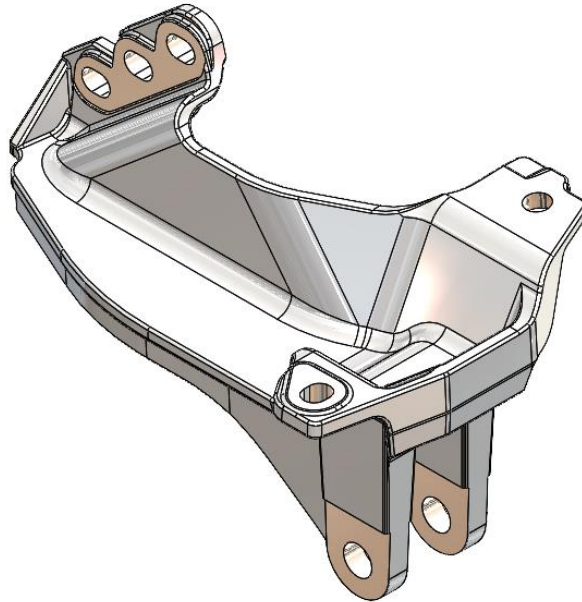




***DOWNLOAD THE LATEST  
INSTALL MANUALS AT  
[www.bddiesel.com](http://www.bddiesel.com)***



# **Ford Track Bar Bracket**

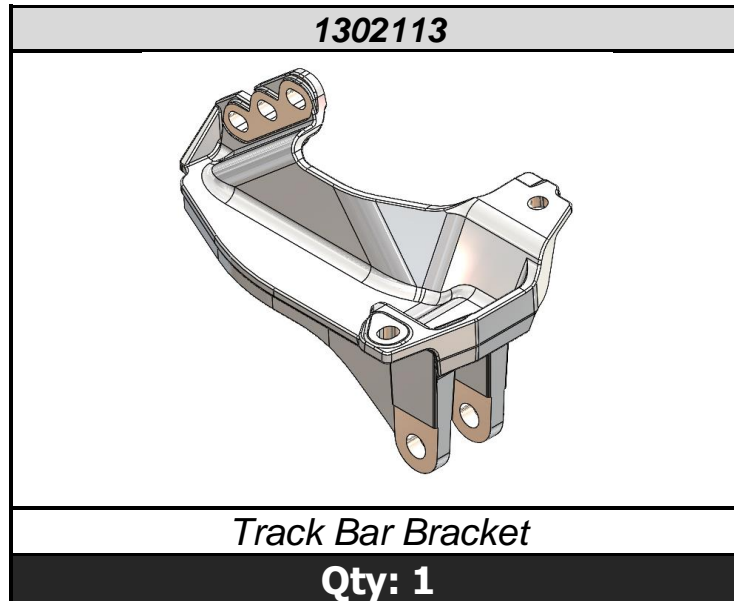
Track Bar Relocation Bracket Ford

## **Installation Instructions**

<b>1032113</b>	2008-2021 Ford Truck
----------------	----------------------

**PLEASE READ ALL INSTRUCTIONS BEFORE INSTALLATION**

## ***Kit Contents***



## ***Tools Required for Installation***

- Jack Stands
- Impact wrench
- 22, 30 mm SOCKET AND WRENCH
- 8mm ALLEN WRENCH/SOCKET
- ½ Drive Torque wrench
- Torque Wrench (up to 406 lb-ft)
- IMPACT GUN

## ***Installation***

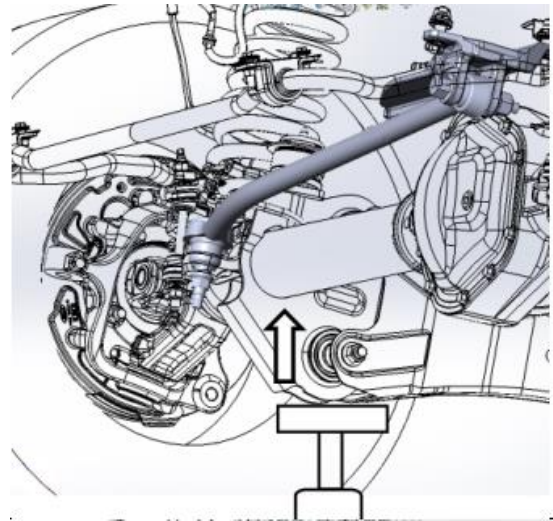
Block wheels to prevent the vehicle from rolling. Lift and support the front axle and remove the front wheels.

## ***Removal***

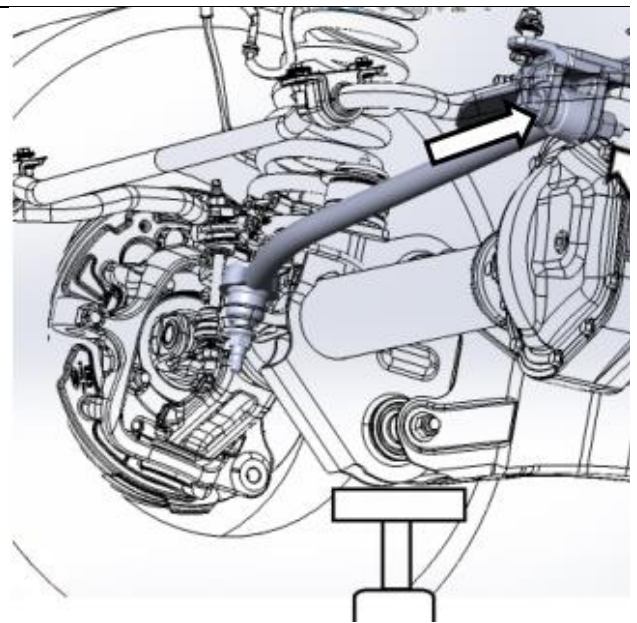
During removal, inspect OEM fasteners for damage. Replace OEM fasteners if required.

Lift vehicle by supporting the vehicles weight on the front axle to prevent the suspension from shifting when the track bar is removed.

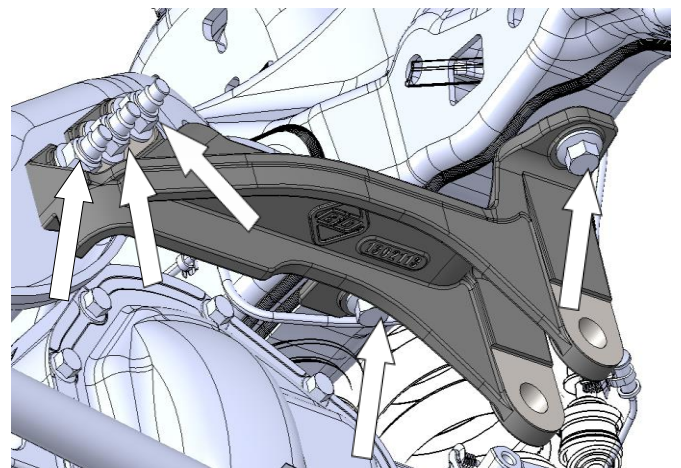
Position a jack stand under both sides of the front axle. Lower the vehicle until the front axle is supporting the vehicles weight.



Remove the track bar-to-frame nut and bolt to disconnect the driver's side of the track bar (30mm socket).

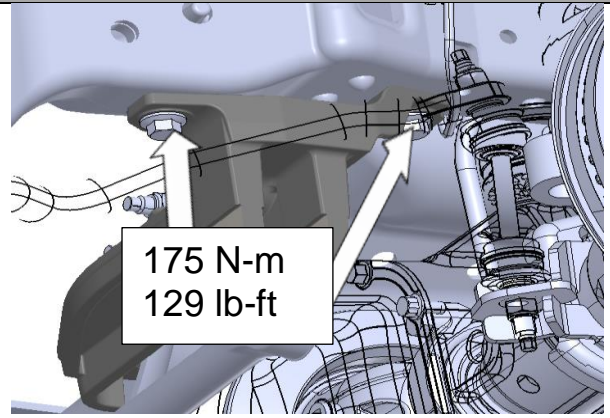


Remove the five track bar bracket -to-frame nuts and bolts to disconnect the bracket from the frame (22 mm socket).

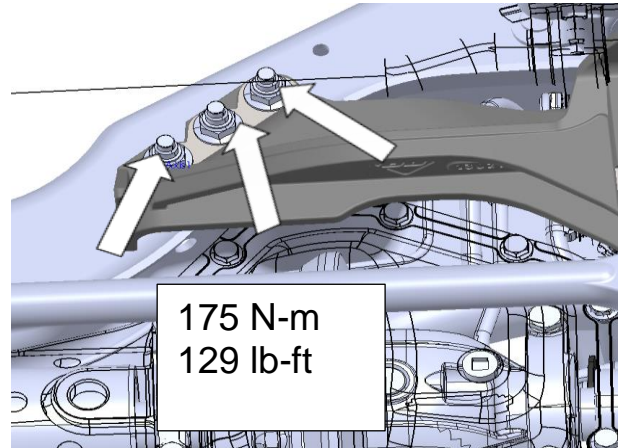


# Installation

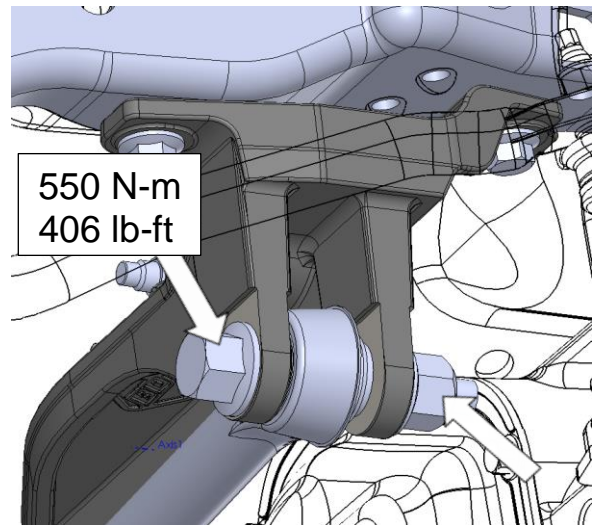
Install BD track bar bracket using the five OEM track bar bracket -to-frame nuts and bolts.



**Torque spec:** 129 lb-ft. (22 mm socket).



Install Track-bar into BD track bar bracket using OEM bolt and nut.



**Torque spec:** 406 lb-ft. (30 mm socket).



**DO NOT DRIVE THE VEHICLE WITHOUT COMPLETING A PROPER ALIGNMENT.**