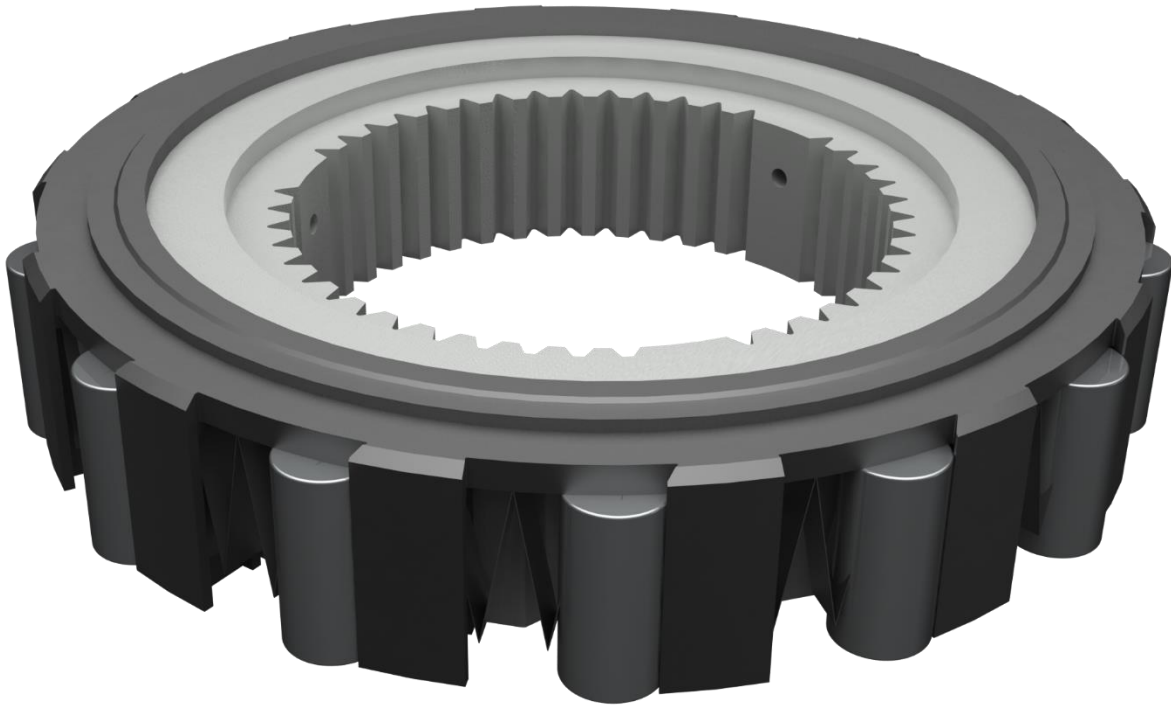




*DOWNLOAD THE
LATEST INSTALL*



BD 68RFE ONE WAY CLUTCH

**2007-2016 Dodge
Installation Instructions**

1060603

2007-2016 Dodge 68RFE

PLEASE READ ALL INSTRUCTIONS BEFORE INSTALLATION.

Pre-Installation

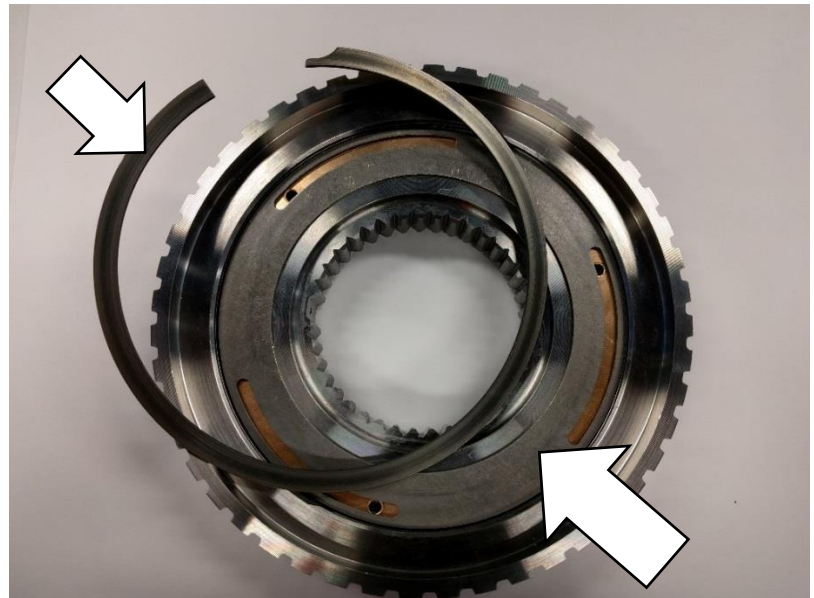
Remove the previous 68 RFE low rev sprag and discard the internals. Retain the outside sprag gear, retaining plate and the snap ring. They will be used in this build.

REMOVAL

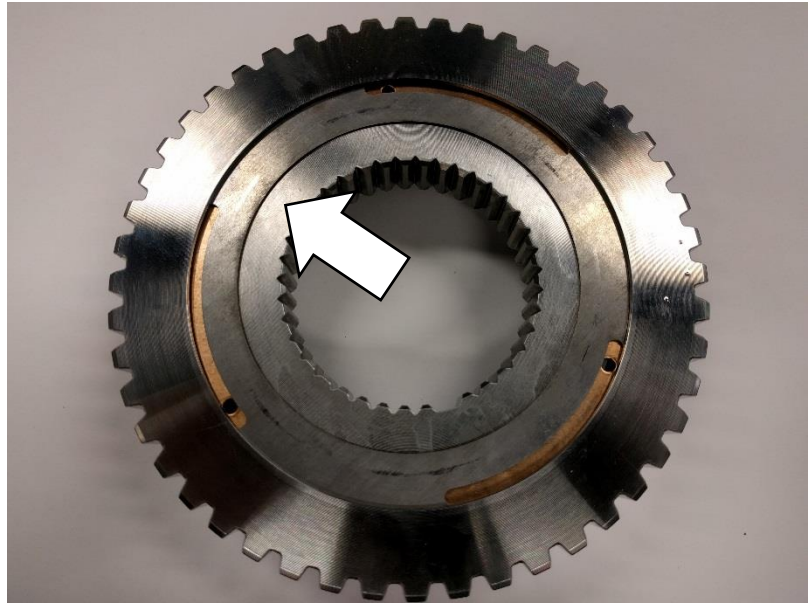
1. Ensure you have your stock 68 RFE Low Rev sprag ready for disassembly. Check to make sure it is not damaged.



2. Remove snap ring and the retaining plate from the sprag and do not discard.



3. Flip the sprag and carefully remove the internal assembly by pushing on the retaining plate.



4. Retain the external gear from original sprag.



5. Original snap ring and retaining plate will also be required to complete this build.



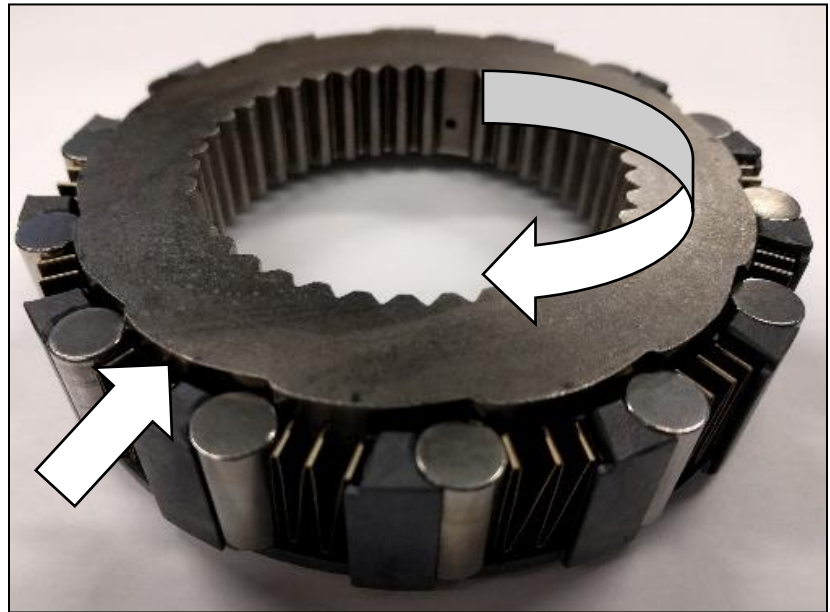
6. Remove the part 1060603 from packaging.



7. Ensure the part is in the same orientation as the image.



8. Lift and rotate the internal gear clockwise until the internal gear is sitting proud relative to rollers and cage.



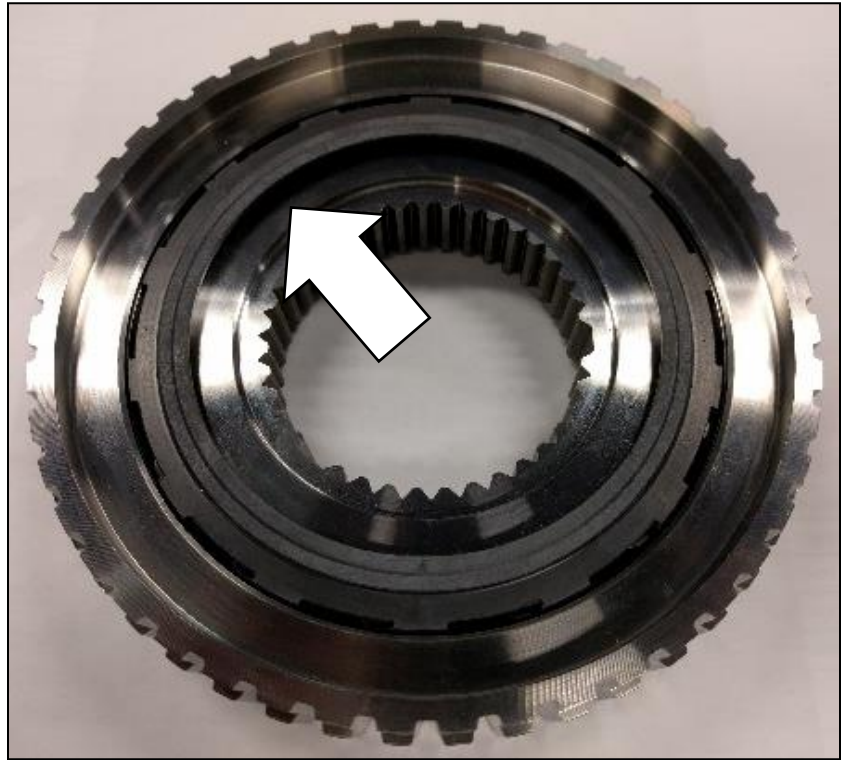
9. Seat the retaining plate within your external part of the 68RFE sprag.



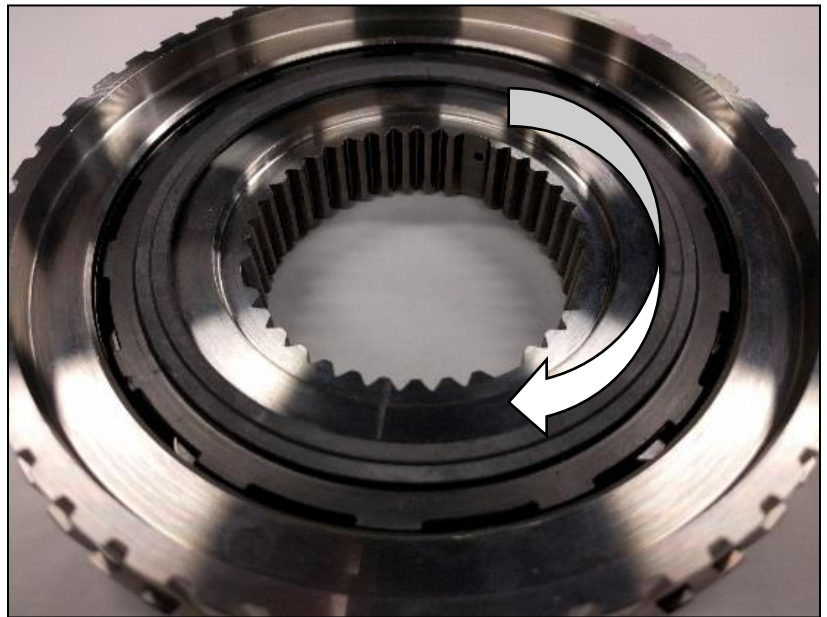
10. Flip 68RFE components upside and drop onto 1060603 while holding the retaining plate in place.



11. Flip the assembly over again and there should be a gap between the top face of internal gear and cage.



12. Rotate internal gear clockwise until the cage is sitting flush against the top face of internal gear.



13. Install the 68RFE snap ring to secure the assembly.



To ensure the assembly is correct, the internal sprag should only turn counter-clockwise and no rotation in the opposite direction.