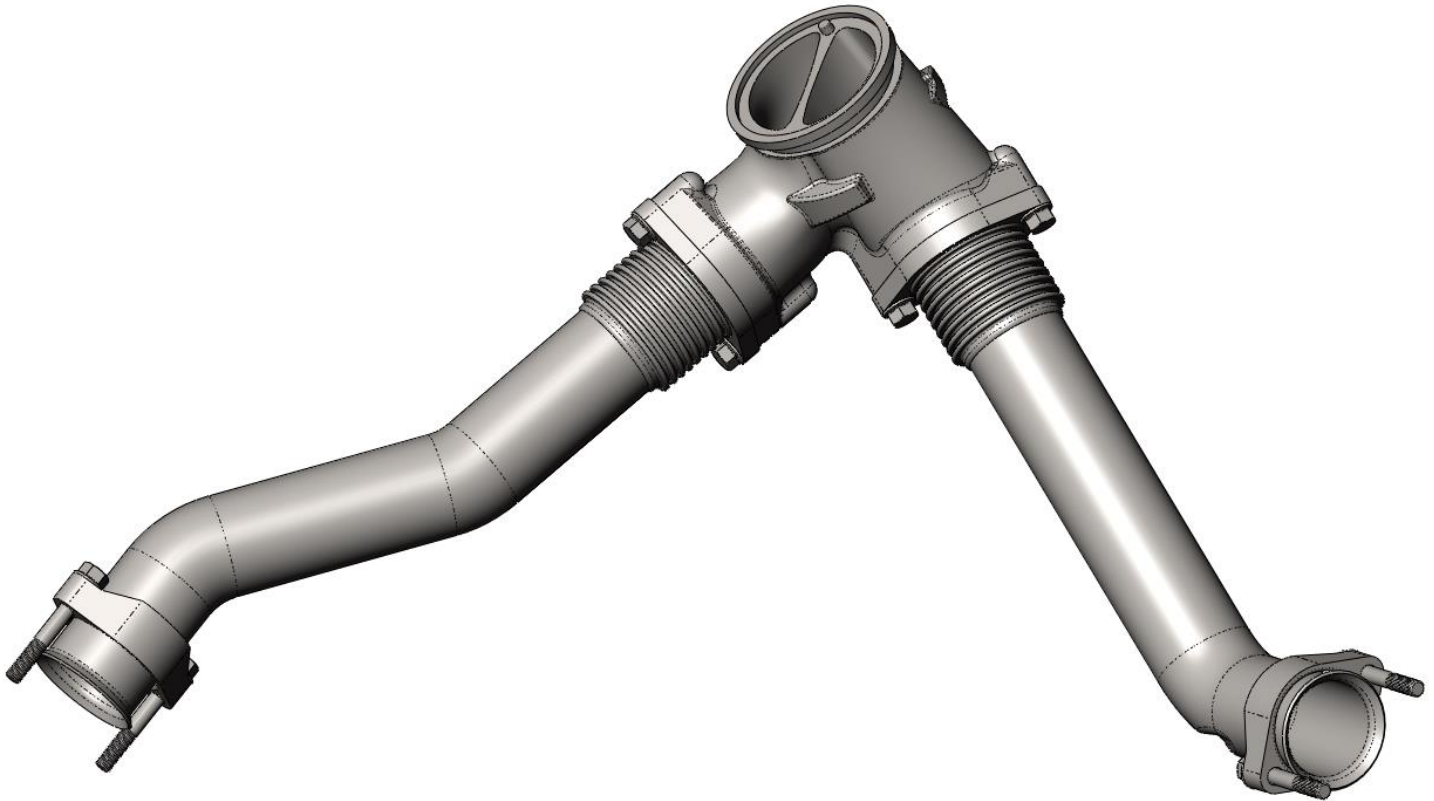




**DOWNLOAD THE LATEST
INSTALL MANUALS AT
www.bddiesel.com**



Up Pipe Kit for Ford 7.3L

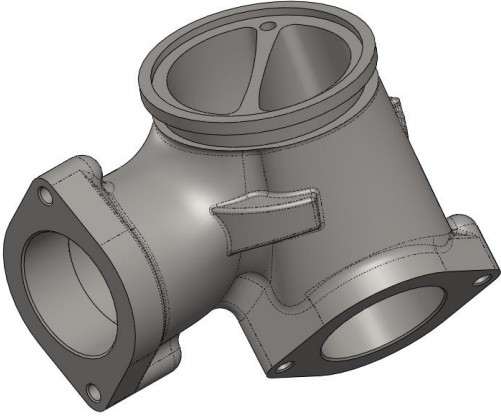

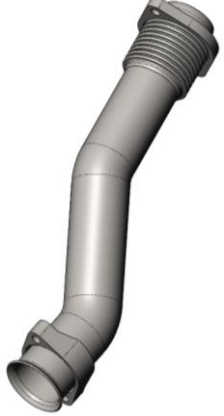

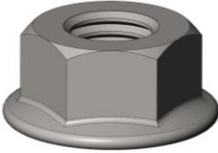


**Ford Powerstroke 1999.5-2003 Models
(F-250/350, E-350, Excursion)**

P/N# 1043900

PLEASE READ ALL INSTRUCTIONS BEFORE INSTALLATION

KIT CONTENTS:

Please check to make sure that you have all the parts listed in this kit **before** you start the disassembly of your truck.

1403101	1403102-A	1403103	
			
<i>Collector Adapter</i>	<i>Up Pipe (DS)</i>	<i>Up Pipe (PS)</i>	
Qty: 1	Qty: 1	Qty: 1	
1403106	1900014	1900013	2495359
			
<i>Bolt M8x 20mm</i>	<i>Nut Flange M8</i>	<i>Bolt M8x 60mm</i>	<i>Gasket</i>
Qty: 4	Qty: 4	Qty: 4	Qty: 2

Pipe Dimple Notice

We have deliberately dimpled the pipe shown below to ensure a proper fit in your vehicle.



**DIMPLE LOCATED HERE
ON 1403102-A UP PIPE
ONLY**

Required Tools

- 10mm/12mm socket & socket Wrench
- 7/16" deep socket
- Pry Bar
- Screwdriver (flat head)
- Torque Wrench

Removal



VEHICLE SHOULD BE SAFELY SECURED BEFORE INSTALLATION.

1. Block wheels to secure vehicle.
2. Remove the intake hose and the top of the air box using a flat head screwdriver to loosen the clamps.



3. Remove the clamp holding the downpipe to the turbine housing. (7/16" deep socket)



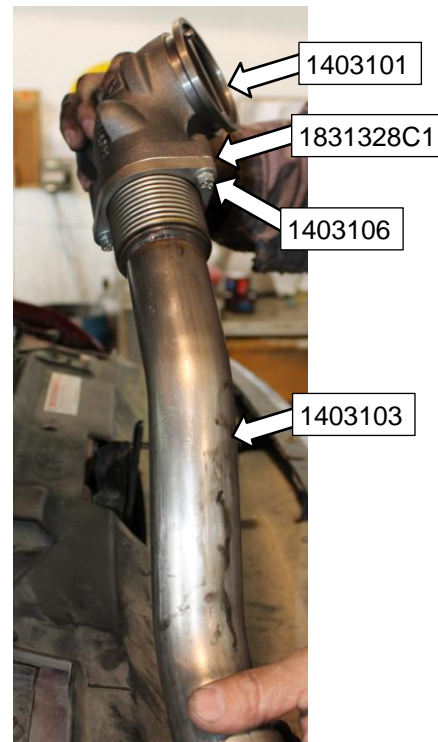
4. Remove the lower bolts for the OEM turbo feed pipes on both the exhaust manifolds from under the vehicle using a 10mm wrench and 13mm socket.
5. Disconnect the DS pipe from the collector. (10mm socket)
6. Loosen and remove the flange clamp holding the collector to the turbine on the turbo. (7/16" deep socket)
7. Remove the collector & PS up pipe assembly from the vehicle.

Installation

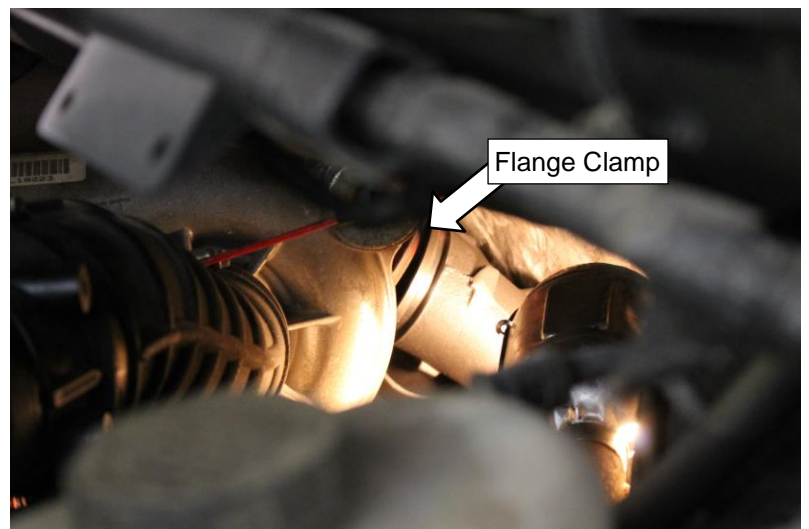
8. Assemble the BD passenger side feed pipe onto the BD collector using the supplied gasket and bolts.

NOTE:

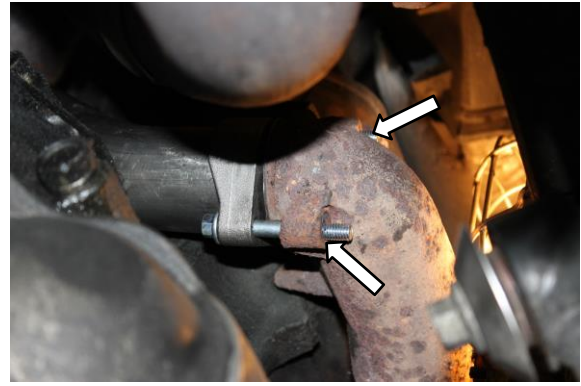
Leave loose to allow movement.



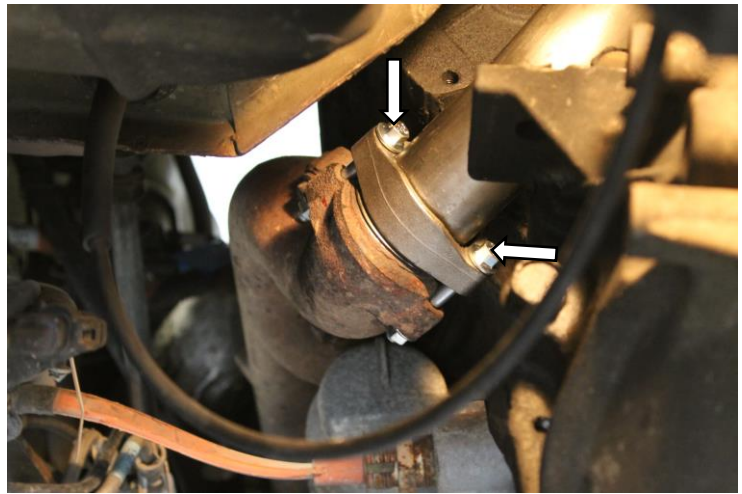
9. Maneuver the pipe assembly into the vehicle and insert the pin on the collector casting into the turbine housing of the turbo. Install the flange clamp (7/16" socket); tighten enough to allow a bit of movement.



10. Connect the passenger side up pipe to the passenger side exhaust manifold using the supplied hardware. (1900013 & 1900014)



11. Connect the driver's side up pipe to the collector using the supplied gasket and hardware. Then connect the lower connection to the driver's side exhaust manifold with the last two 60mm bolts and nuts (10mm & 12mm).



- 12. Once both pipes are positioned, fully tighten the collector to turbine flange clamp then tighten all pipe connections to 22 ft/lbs.**

13. Reinstall the clamp holding the downpipe to the turbine housing. (7/16" Deep Socket)



14. To complete this installation; reinstall the top of the air box and reconnect the intake hose.



If you have any technical difficulties, concerns, comments, or complaints, please phone our Technical Support hotline at (800) 887-5030 between 8:30am-5:00pm PST (Pacific Standard Time) Monday to Friday.