



**DOWNLOAD THE LATEST
INSTALL MANUALS AT
www.bddiesel.com**



BD Adjustable Track Bar

1032110	Ford F250, F350 – 4WD 2005-2016
	Ford F450, F550 – 4WD 2005-2016
	Ford F450, F550 – 2005-2022*

Note: 2017+ F450/F550 may require kit 1032111. See page 3 for details

PLEASE READ ALL INSTRUCTIONS BEFORE INSTALLATION

KIT CONTENTS

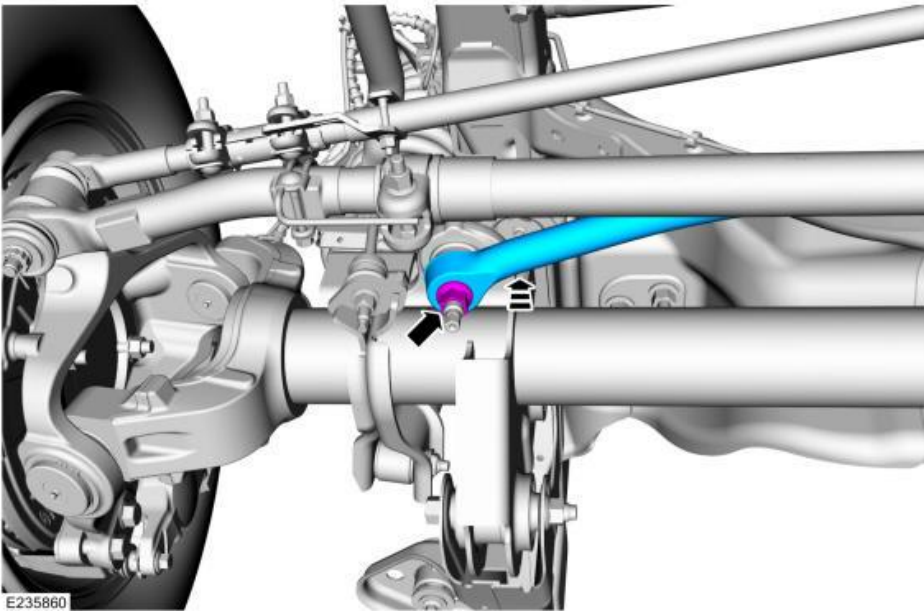
Please check to make sure that you have all the parts listed in this kit.

Kit # 1032110			
1303101-CK		1303100-CK	1303103-CK
			
Trackbar, Passenger's Side (Left Hand Thread)		Trackbar, Driver's Side	Threaded Connector
Qty: 1		Qty: 1	Qty: 1
1303102	1303105	1303104-01	1303104
			
Jam Nut 1 1/4NF	Jam Nut 1 1/4NF (Left Hand Thread -Arrow)	Bushing	Polyurethane Bushing Set
Qty: 1	Qty: 1	Qty: 1	Qty: 1

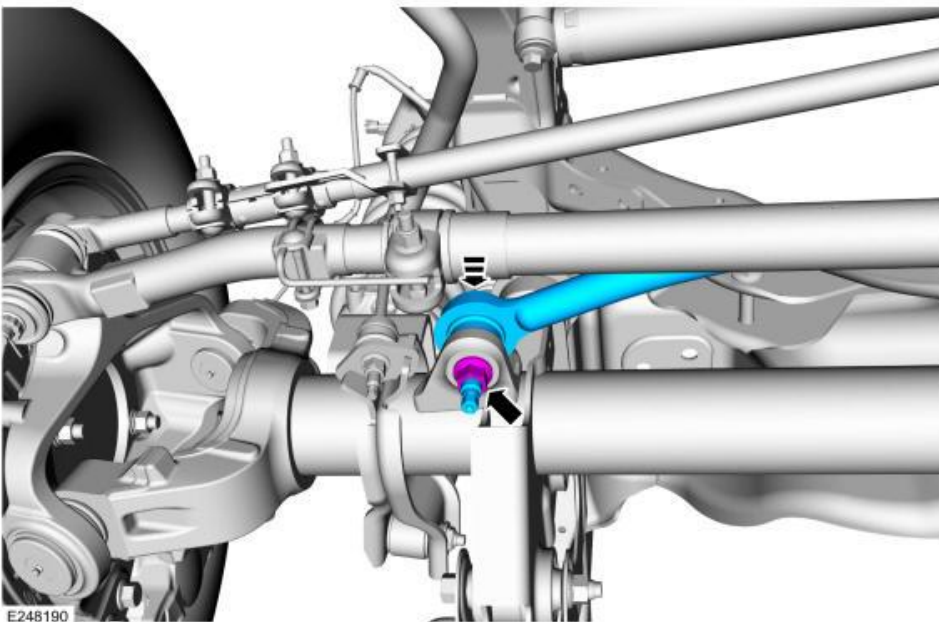
2017-2022 F450/F550 Fitment

2017-2022 F450 and F550 vehicles may use track bars **1032110** or **1032111** depending on ball joint location. Please confirm the style of track bar used on your vehicle **before** ordering this kit.

1032110 – Ball joint is pressed into the axle. Passenger side track bar has a tapered hole.



1032111 – Ball joint is pressed into the passenger side track bar.



Welcome

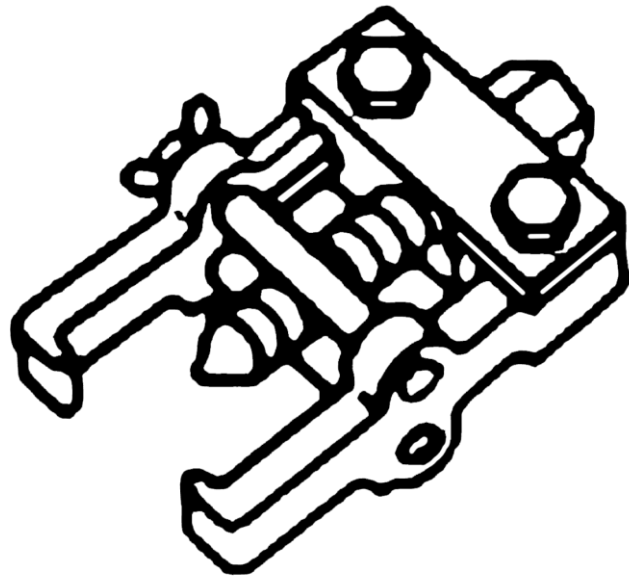
Thank you for purchasing a BD Adjustable Ford track bar. This manual is divided into removal and installation sections to assist you with your adjustable track bar kit.

This product is a replacement for the factory track bar. If the securing mounts have any signs of wear they should be fixed before installing the track bar. You will be reusing the factory hardware, if these bolts/nuts or ball joints show any signs of wear, replace them.

Installation should occur on a vehicle properly secured to prevent rolling.

Required Tools

- Arbor Press
- Steering Arm Remover Tool (Ford P/N# 211-003) (OTC P/N# 7311A)
- Torque Wrench (up to 406 ft/lbs)
- Jack Stands
- Ratchet / Wrench
- 24 & 30mm Socket
- Impact wrench



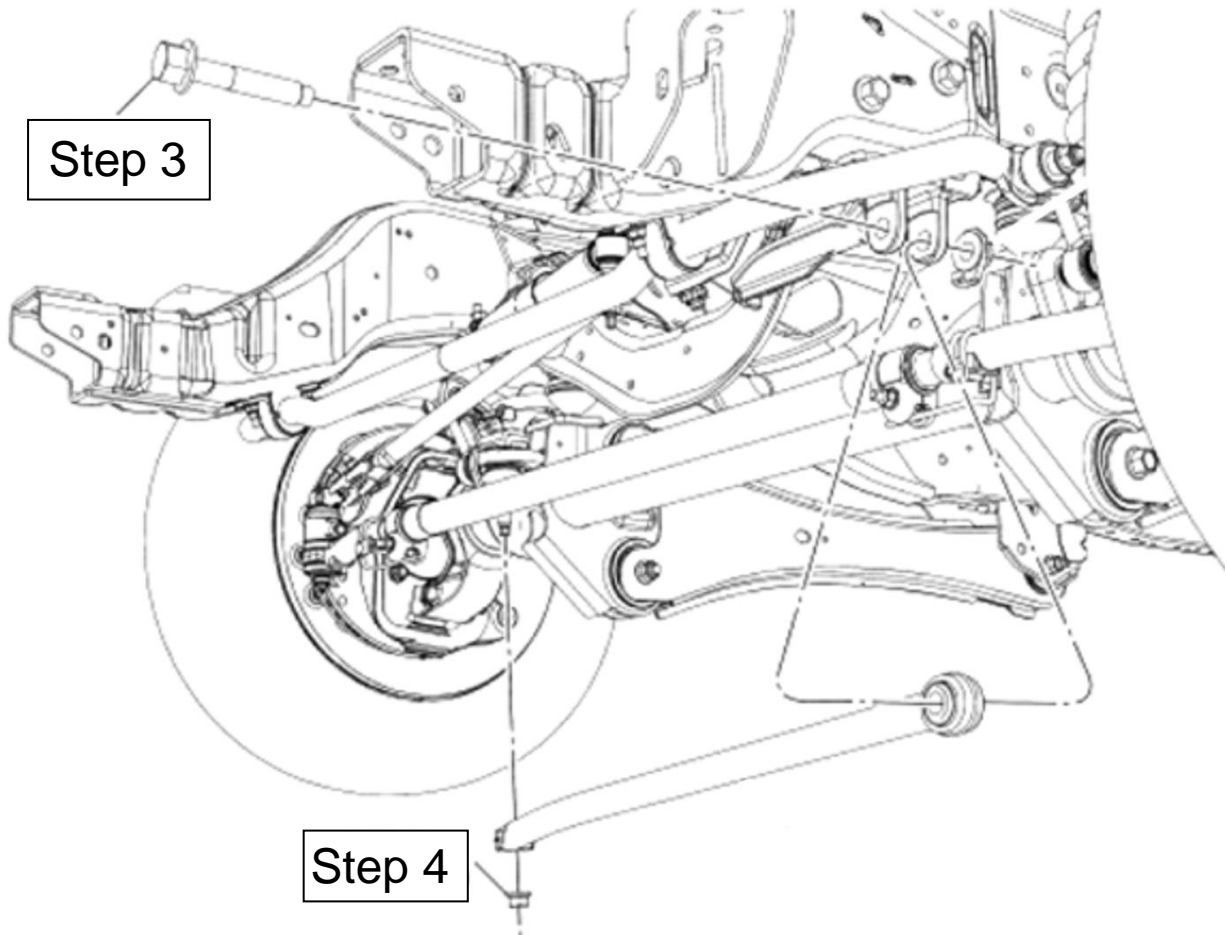
Steering Arm Remover (Ford P/N# 211-003)



VEHICLE SHOULD BE SAFELY SECURED BEFORE INSTALLATION.

THIS TRACK BAR SHOULD BE INSTALLED AT A SHOP THAT CAN PERFORM A FRONT END ALIGNMENT

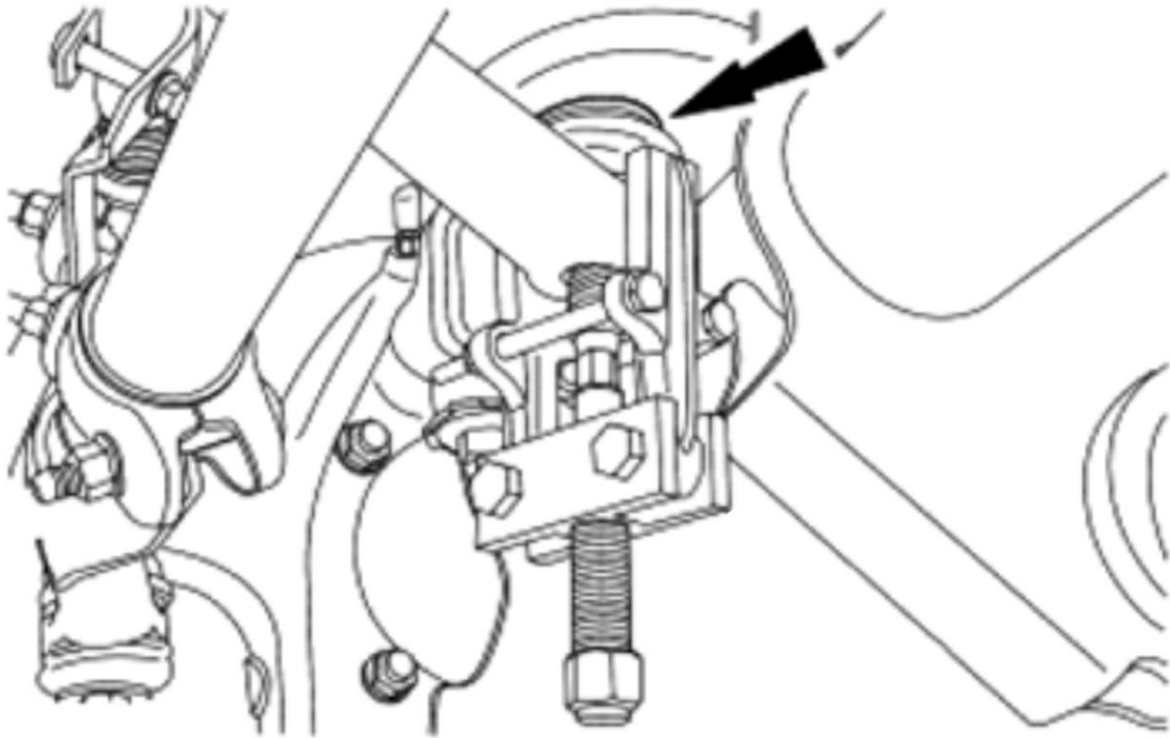
Removal



1. With the vehicle in Neutral, lift vehicle by supporting the vehicles weight on the front axle to prevent the suspension from shifting when the track bar is removed.
2. Position a jack stand under both sides of the front axle. Lower the vehicle until the front axle is supporting the vehicles weight.
3. Remove the track bar-to-frame nut and bolt to disconnect the driver's side of the track bar (30mm socket).

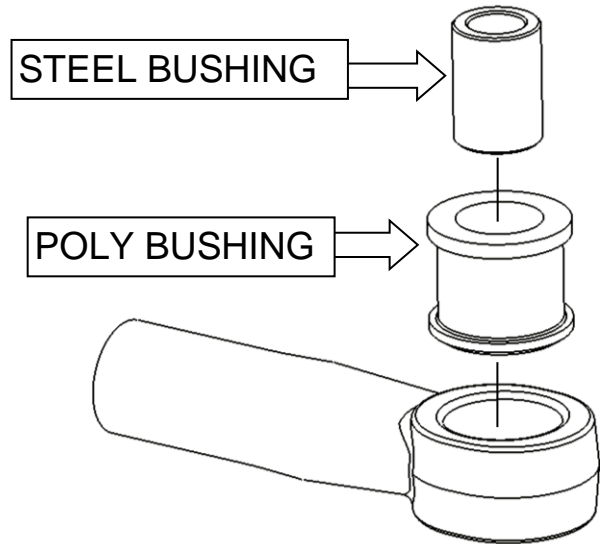
4. Remove nut from P/S track bar. Then using a steering arm remover (Ford P/N# 211-003) disconnect the track bar from the passenger side and remove from the vehicle. (24mm socket)

Note: Use the hex-holding feature to prevent the track bar ball joint from turning while removing the nut.



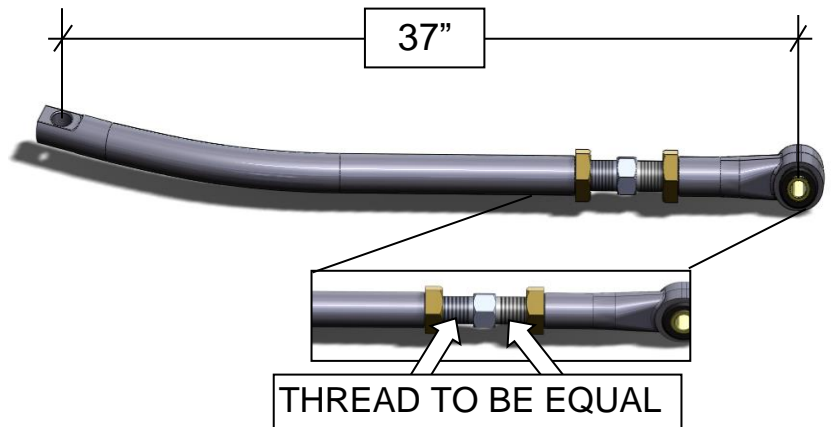
Installation

1. #1303104 and #1303104-1 have been pre-installed as shown.



2. With bushing in place connect all track bar pcs.

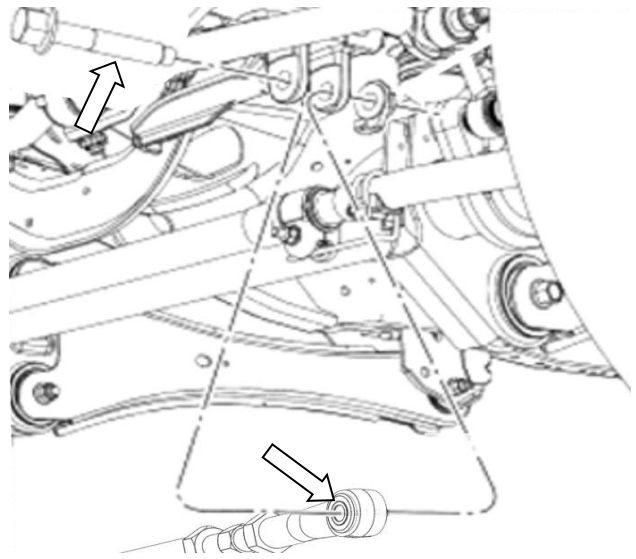
Thread nuts & ends all the way to the bottom. Then adjust from the center out so that the center to center distance of the connections is 37" (the same length as the stock bar) also ensure an equal amount of thread is showing on both sides of the connector.



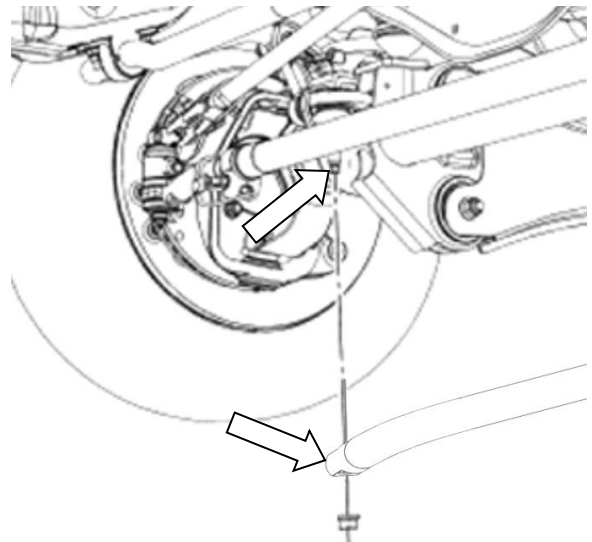
SUGGESTED LENGTH

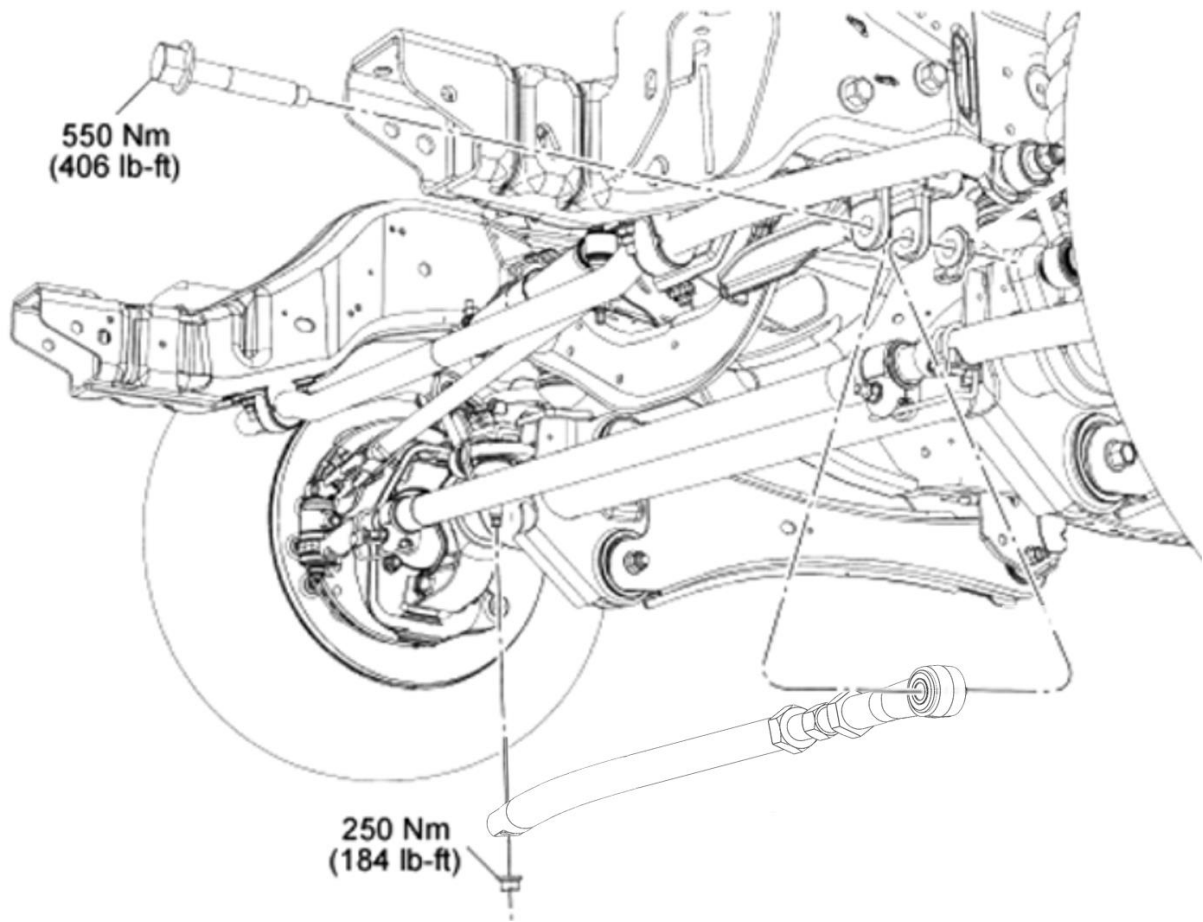
2005-2016	Length	Lift
OEM	37"	0"
Leveled	37.43"	2.5"
Lifted	37.88"	4.5"

3. Position the driver side of the trackbar into position and install bolt and nut snug.(30mm socket)



4. Position the passenger side of the trackbar onto the ball joint and install the nut snug.(24mm socket)





5. With the vehicle weight still supported by the jack stands, torque the P/S ball joint connection to 184 ft/lbs.

6. With the vehicle weight still supported by the jackstands, torque the D/S frame bolt connection to 406 ft/lbs.

You can now perform an alignment on the front end of the vehicle. Adjust the front axle left and right by turning the threaded connector.

The shorter you make the track bar the more it will pull the front axle towards the driver's side, and vice versa.

Once the alignment is complete tighten the jam nuts to approximately 100 ft/lbs of torque. Do not drive the vehicle without torquing the jam nuts.



DO NOT DRIVE THE VEHICLE WITHOUT COMPLETING A PROPER ALIGNMENT.