



***DOWNLOAD COLOUR
INSTALL MANUALS AT
www.bddiesel.com***



Exhaust Manifold

2003-2007 Ford 6.0L Powerstroke


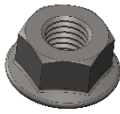

1041480	03-07 Exhaust Manifold Pair Kit
1041485	03-07 Driver Side Exhaust Manifold Kit
1041486	03-07 Passenger Side Exhaust Manifold Kit



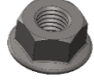


Replaces OEM Part #: 3C3Z9431AB, 1840994C1

Kit Contents

Please check to make sure that you have all the parts listed in this kit **before** you start the disassembly of your truck.

1041480 Exhaust Manifold Pair		
1401480-1	1401480-2	1200208
		
6.0L Manifold; Passenger Side 03-07	6.0L Manifold; Driver Side 03-07	1/8" NPT Brass Plug
Qty: 1	Qty: 1	Qty: 1

MS19312	1900014	1900013
		
Manifold Gasket	M8x1.25 Flange Nut	M8x1.25x60 Flange Bolt
Qty: 2	Qty: 4	Qty: 4

1041485 Driver Side Exhaust Manifold Kit				
1401480-2	1200208	1900014	1900013	MS19312
				
6.0L Manifold; Driver Side 03-07	1/8" NPT Brass Plug	M8x1.25 Flange Nut	M8x1.25x60 Flange Bolt	Manifold Gasket
Qty: 1	Qty: 1	Qty: 2	Qty: 2	Qty: 1


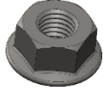


1041486 Passenger Side Exhaust Manifold Kit			
1401480-1	1900014	1900013	MS19312
			
6.0L Manifold; Passenger Side 03-07	M8x1.25 Flange Nut	M8x1.25x60 Flange Bolt	Manifold Gasket
Qty: 1	Qty: 2	Qty: 2	Qty: 1

Table of Contents

Kit Contents 2

Table of Contents..... 3

Exhaust Manifold Removal 3

 Driver Side Manifold Removal..... 3

 Passenger Side Manifold Removal 4

Installation..... 5

 Driver Side Manifold Installation..... 5

 Passenger Side Manifold Installation 6

Exhaust Manifold Removal

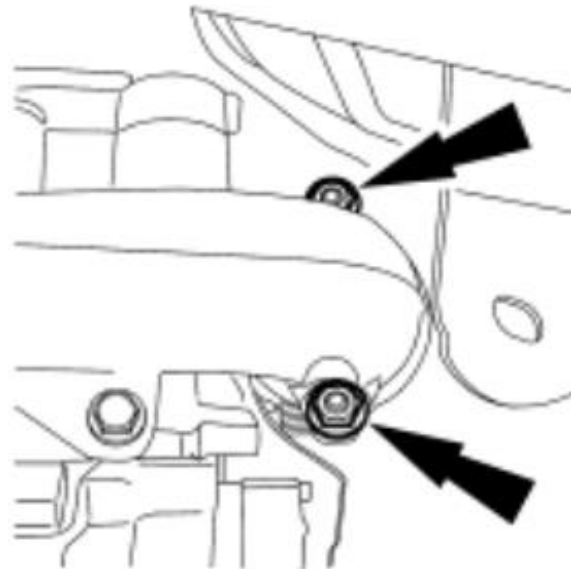
Disconnect both vehicle batteries before installation for safety.

Driver Side Manifold Removal

Position vehicle on a hoist and chock wheels to prevent the vehicle from rolling.

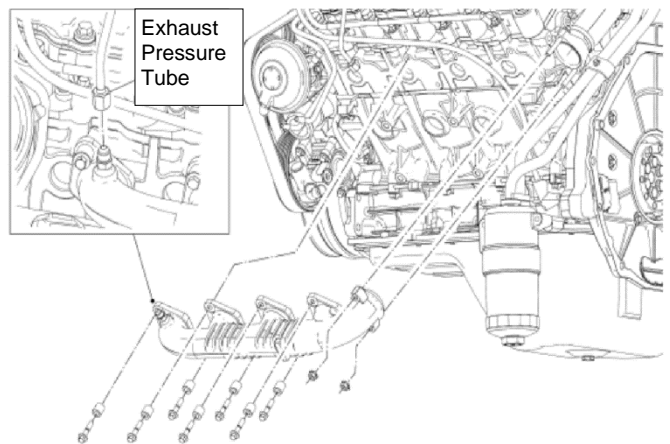
Remove the 2 driver side exhaust manifold to turbocharger adapter pipe nuts.

Note: These bolts may be easier to access if the inner fender liner is removed.



Disconnect the exhaust pressure tube from the driver side exhaust manifold.

Remove the 8 bolts, 8 spacers and the driver side exhaust manifold.

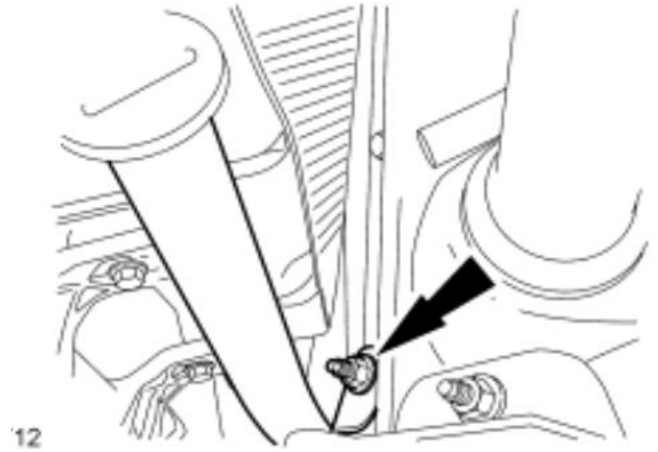


Passenger Side Manifold Removal

Remove the transmission fluid indicator.

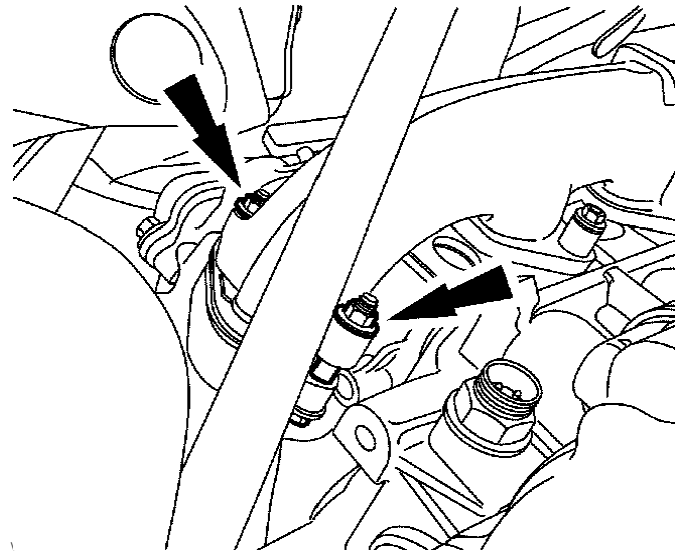
Remove the retaining nut and position the transmission fluid tube off the stud.

Separate the transmission fluid tube and position aside.

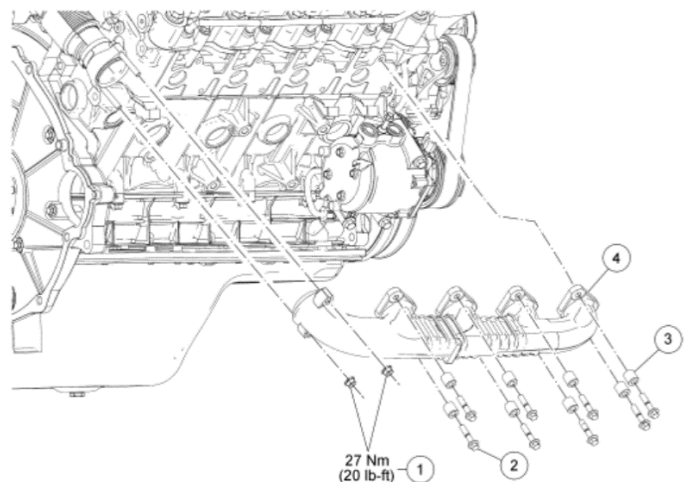


Remove the 2 passenger side exhaust manifold to turbocharger adapter pipe nuts.

Note: These bolts may be easier to access if the inner fender liner is removed.



Remove the 8 bolts, 8 spacers and the passenger side exhaust manifold.



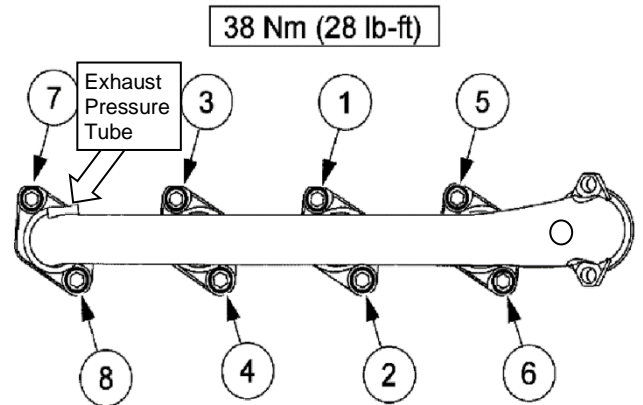
Installation

Installation notes:

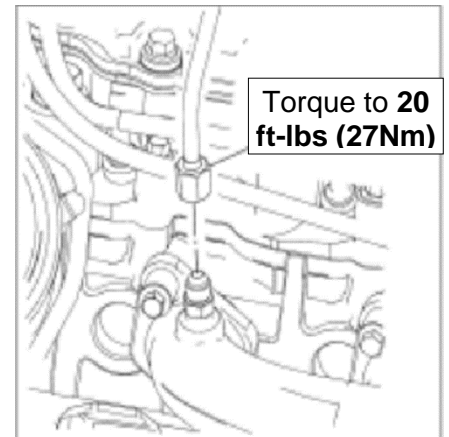
- Installing the bolts with the small diameter hole will assist in the alignment of the remaining bolts.
- When installing the exhaust manifolds, only use prevailing torque hex flange bolts with an interference fit.
- Apply anti-seize lubricant to the bolts threads prior to installing the bolts.

Driver Side Manifold Installation

Install the driver side exhaust manifold with supplied gasket and tighten the OEM bolts and spacers in the sequence shown to **28 ft-lbs (38 Nm)**.



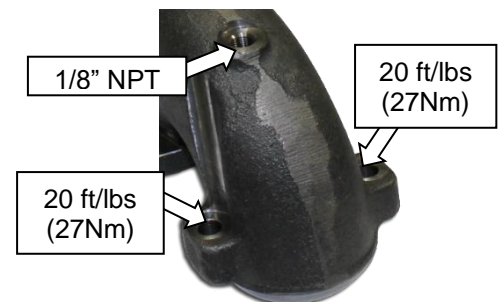
Connect the exhaust pressure tube to the exhaust manifold and tighten to **22 ft-lbs (30Nm)**.



Install supplied driver side exhaust manifold to turbocharger adapter bolts (**1900013**) & nuts (**1900014**).

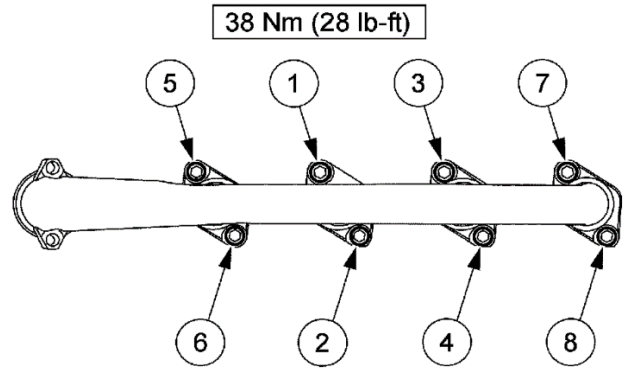
Tighten to **20 ft-lbs (27Nm)**.

Note: If no pyro is used, insert supplied 1/8" NPT plug (**1200208**).



Passenger Side Manifold Installation

Install the passenger side exhaust manifold with supplied gasket and tighten the 8 OEM bolts and spacers in the sequence shown to **28 ft-lbs (38 Nm)**.

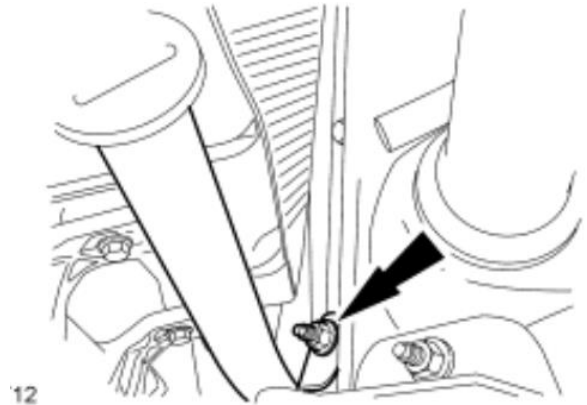


Install supplied passenger side exhaust manifold to turbocharger adapter bolts (1900013) & nuts (1900014) and tighten to **20 ft-lbs (27Nm)**.



Reconnect the transmission fluid tube and position the tube on the stud; install the retaining nut.

Re-insert the transmission fluid indicator.



Reconnect the negative terminals on both batteries and check for exhaust manifold leaks.