



**DOWNLOAD THE LATEST
INSTALL MANUALS AT
www.bddiesel.com**



BD High Flow Max Manifold

For 2500/3500 2001-2010 GMC/Chevrolet Duramax Trucks

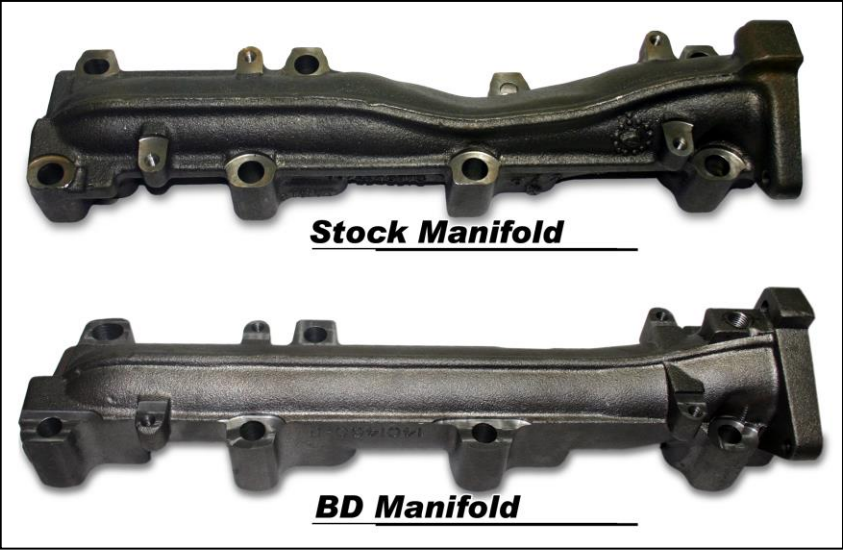
Installation Instructions

Part# 1041460

PLEASE READ ALL INSTRUCTIONS BEFORE INSTALLATION.

Replaces OEM # 12624684, 12637647, 97224587



Welcome



Thank you for purchasing the BD High Flow Max Manifold for GMC/Chevrolet Duramax vehicles.

As you can see by the large dent in the stock manifold, there is a sizeable restriction in the flow of the exhaust. The **BD High Flow Max Manifold** eliminates this restriction, allowing the full flow of exhaust to be pushed out faster, lowering EGT's.

Kit Contents

1401460	1200208
Manifold	1/8" NPT Brass Plug
	
Qty: 1	Qty: 1

At this time this kit does not come with a manifold gasket. Currently the highest quality gasket is being made by GM. See the chart below for OEM part numbers.

GM OEM Part #	Description
98002804	Manifold Gasket
97188685	Manifold to Feed Pipe Gasket

Upgrade Options

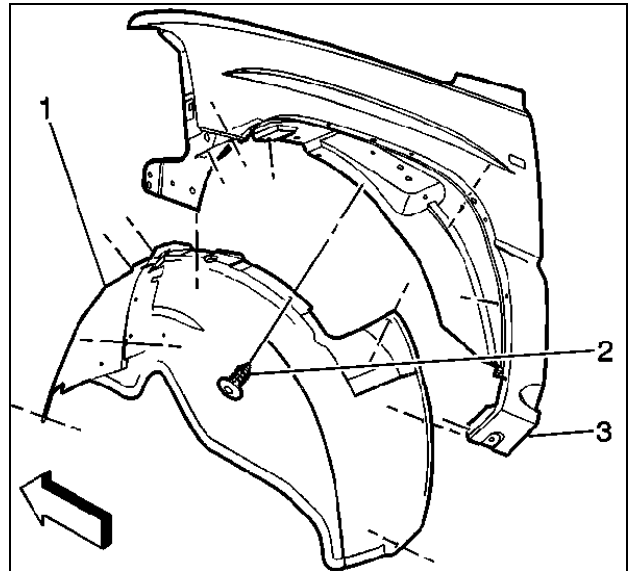
Description	Part #
BD Super Max Turbo (LB7 only)	1046200

Manifold Installation

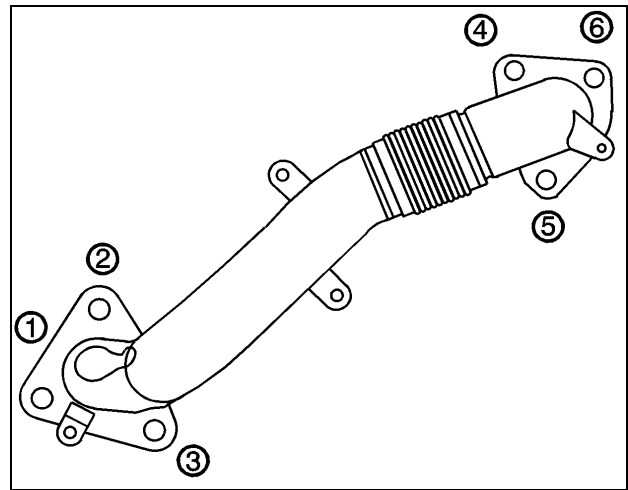
Raise and suitably support the vehicle to a comfortable height.

Remove the driver's side front wheel.

Remove the driver's side plastic fender well.

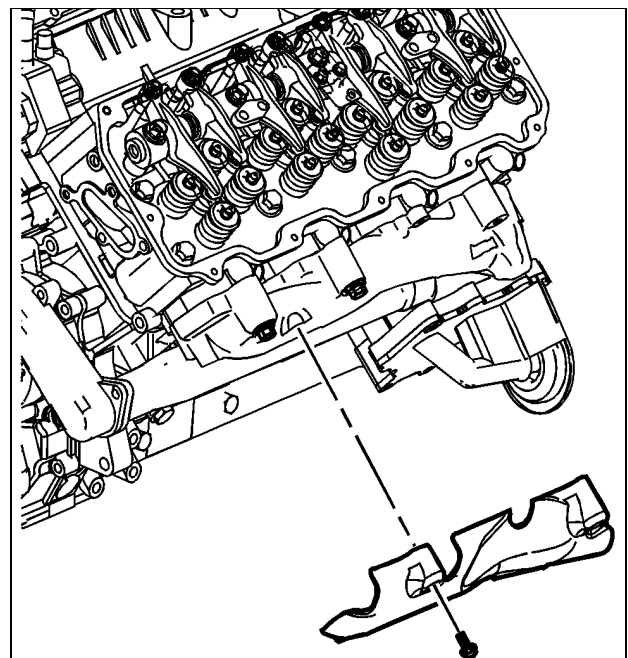


Remove the exhaust pipe to exhaust manifold bolts (1, 2, and 3).

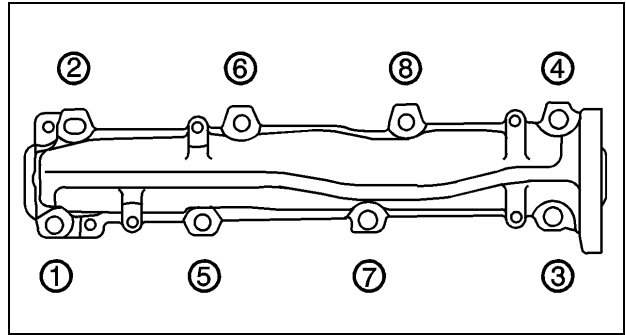


Remove the exhaust manifold heat shield bolts.

Remove the exhaust manifold heat shield.



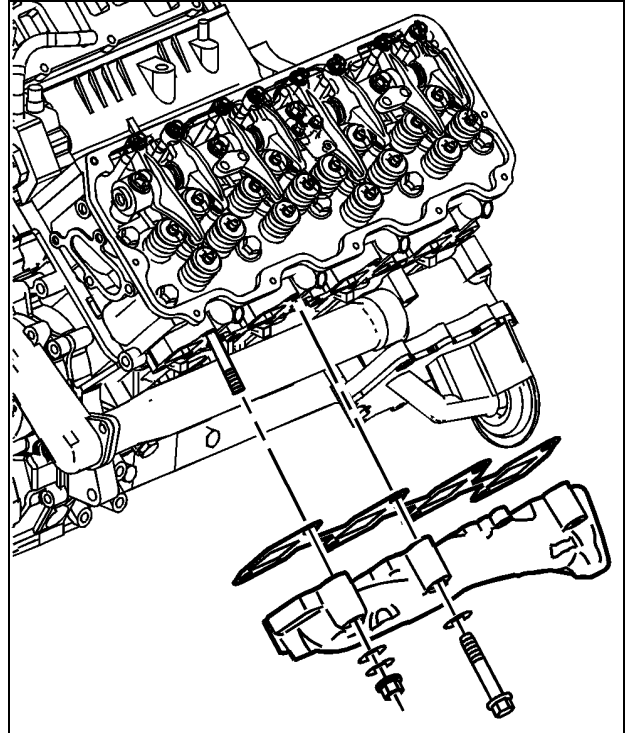
Remove the exhaust manifold bolts and nuts in the proper sequence.



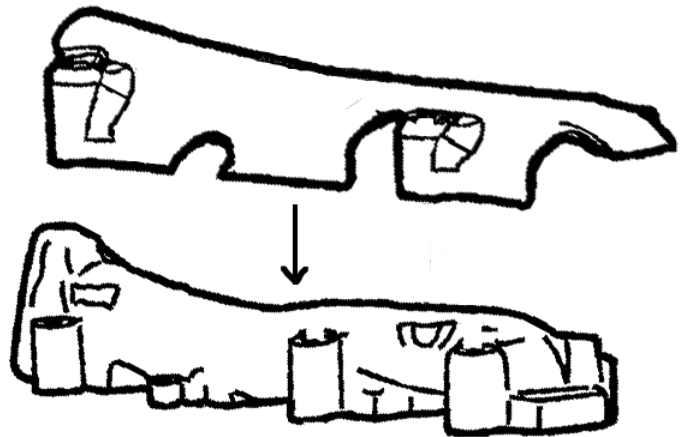
Remove the exhaust manifold.

Remove the exhaust manifold gasket.
 (NOTE: GM RECOMMENDS A NEW GASKET TO BE USED. FROM OUR EXPERIENCE, THE ORIGINAL GASKET CAN BE RE-USED)

Clean and inspect head surface.



With the stock heat shield removed, reform the heat shield to the new BD high flow exhaust manifold on a clean bench. Allowing clearance around the new manifold.

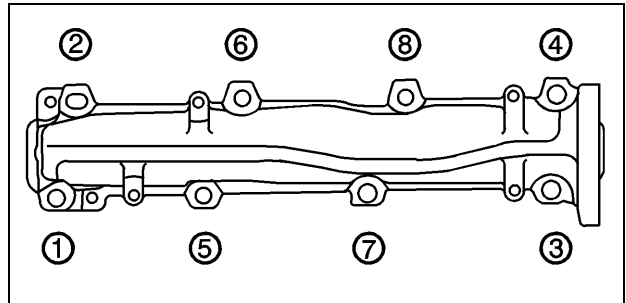
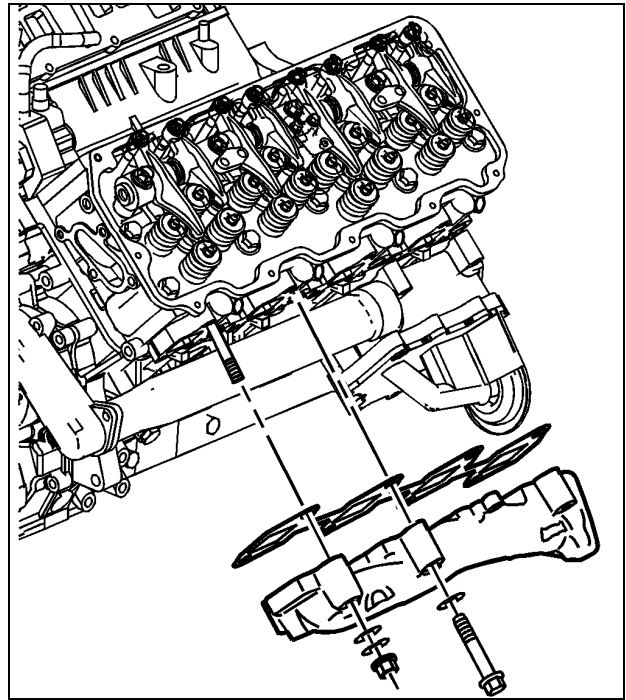


Install the BD High Flow exhaust manifold with gasket.

Install the exhaust manifold bolts & nuts.

Use the sequence shown to properly tighten the exhaust manifold bolts.

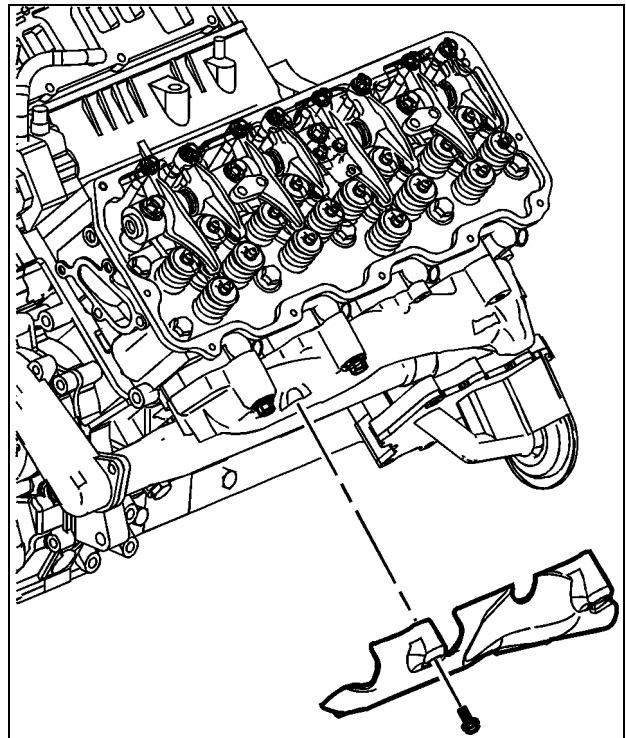
Year/Model	Torque Spec
2001-2004 LB7	28 lb ft
2004.5-2005 LLY	
2006-2007.5 LBZ	42 lb ft
2008-2010 LMM	42 lb ft



Install the exhaust manifold heat shield.

Install the exhaust manifold heat shield bolts.

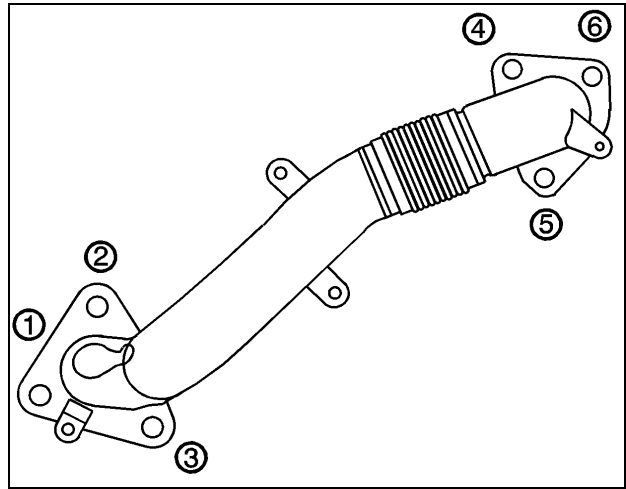
Tighten the bolts to 8 N·m (71 lb in).



Install the exhaust pipe gasket. Align the tab on the gasket to face outward.

Install the exhaust pipe and the bolts (1, 2, and 3) to the exhaust manifold.

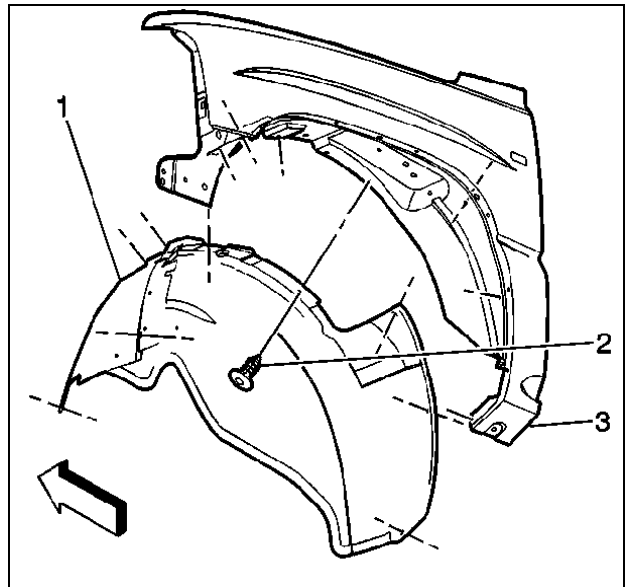
Tighten the bolts to 53 N·m (39 lb ft).



Reinstall the driver's side plastic fender well.

Reinstall the driver's side front wheel.

Lower the vehicle.



Allow the vehicle to go through one or two heat cycles before re-torquing the manifold bolts.

The manifold is also drilled and tapped for a 1/8 NPT thermocouple probe. Included in the kit is a 1/8" NPT plug if there is no thermocouple being used.

Questions?

If you have any technical questions or problems with this kit, then please call the BD Diesel Performance Technical Support Line at (800) 887-5030, Monday to Friday, 8:30am-5:00pm, Pacific Standard Time.