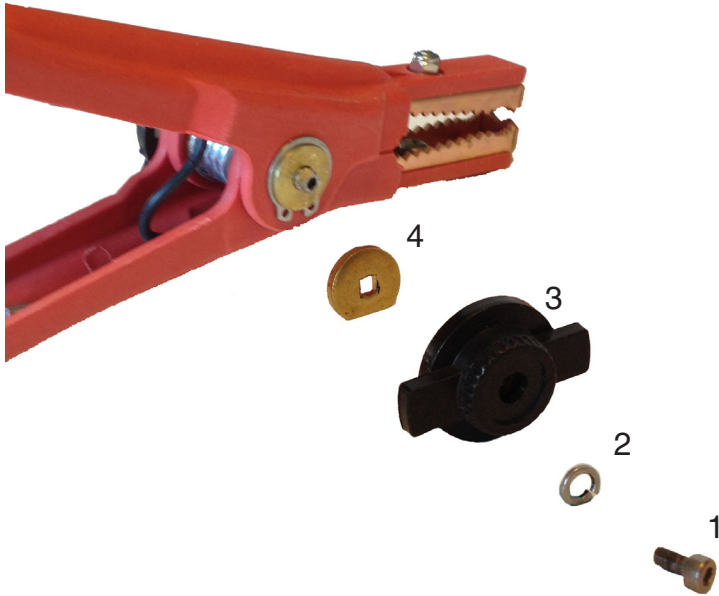


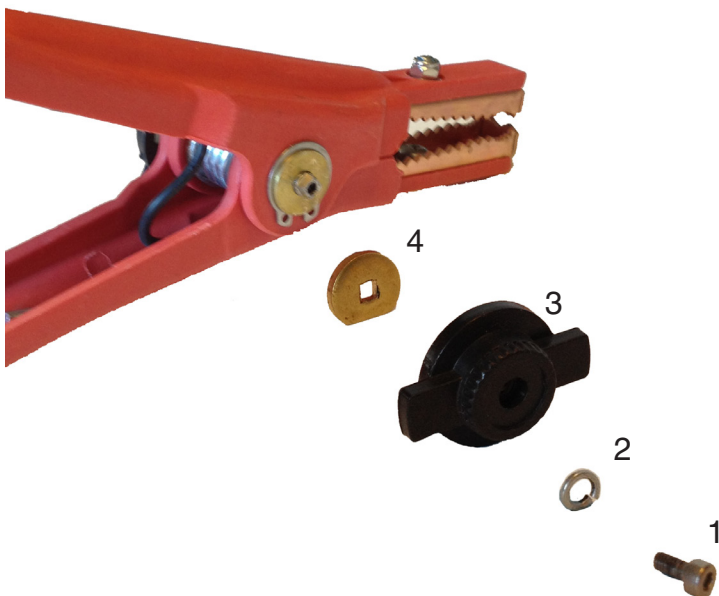
NOTE: Apply Loctite Black MAX 380 to the M3 screw (Item -1). Then torque to 1.5N•m (13 lb. in.) Check to make sure the knob (Item-3) rotates freely. Only use Loctite Black MAX 380. Other thread lockers will cause damage to the knob and clamp handle.

2650-1629-00 5/16/12



NOTE: Apply Loctite Black MAX 380 to the M3 screw (Item -1). Then torque to 1.5N•m (13 lb. in.) Check to make sure the knob (Item-3) rotates freely. Only use Loctite Black MAX 380. Other thread lockers will cause damage to the knob and clamp handle.

2650-1629-00 5/16/12



NOTE: Apply Loctite Black MAX 380 to the M3 screw (Item -1). Then torque to 1.5N•m (13 lb. in.) Check to make sure the knob (Item-3) rotates freely. Only use Loctite Black MAX 380. Other thread lockers will cause damage to the knob and clamp handle.

2650-1629-00 5/16/12