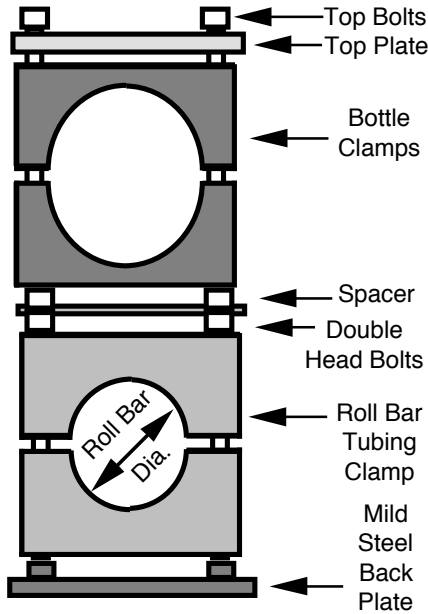




**Air Bottle Clamps**  
**Model: AB10C-1/2**  
**Fits 1 1/2" Rollbar & 10oz Bottle**

**CLAMP ASSEMBLY**

**BOTTLE CLAMPS ARE ACCEPTED BY NHRA & IHRA**



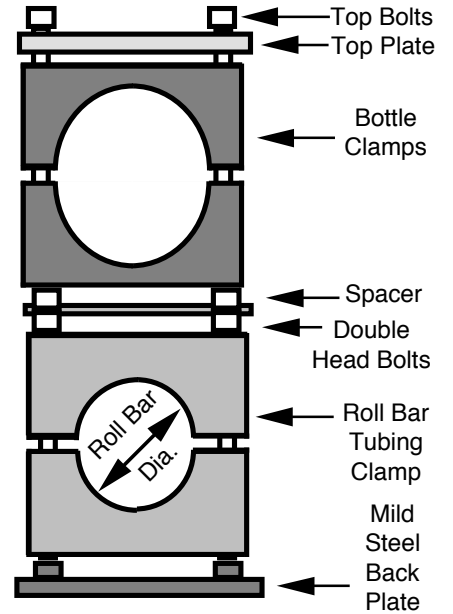
413 West Elm Street - Sycamore, IL 60178  
 (866)248-6357 - autometer.com - service@autometer.com



**Air Bottle Clamps**  
**Model: AB10C-1/2**  
**Fits 1 1/2" Rollbar & 10oz Bottle**

**CLAMP ASSEMBLY**

**BOTTLE CLAMPS ARE ACCEPTED BY NHRA & IHRA**



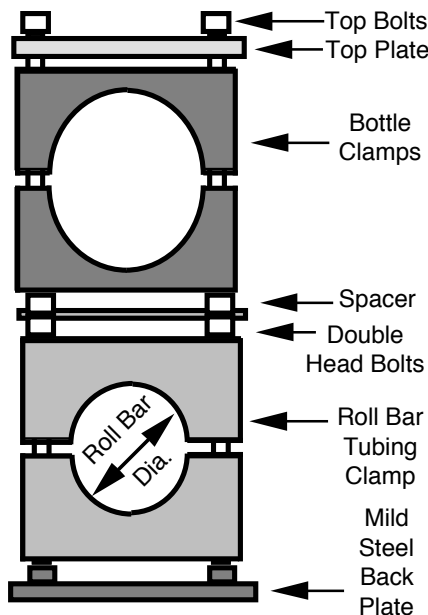
413 West Elm Street - Sycamore, IL 60178  
 (866)248-6357 - autometer.com - service@autometer.com



**Air Bottle Clamps**  
**Model: AB10C-1/2**  
**Fits 1 1/2" Rollbar & 10oz Bottle**

**CLAMP ASSEMBLY**

**BOTTLE CLAMPS ARE ACCEPTED BY NHRA & IHRA**



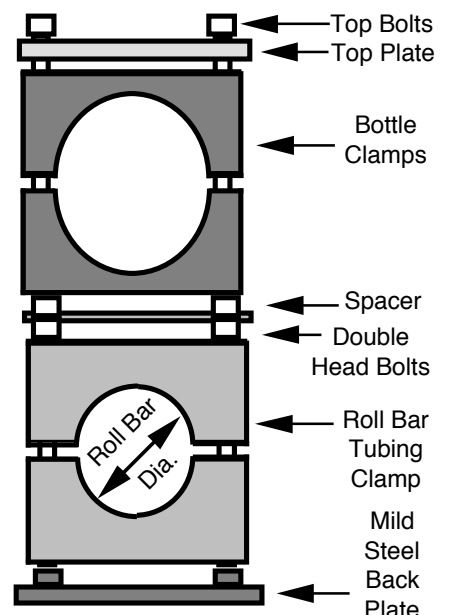
413 West Elm Street - Sycamore, IL 60178  
 (866)248-6357 - autometer.com - service@autometer.com



**Air Bottle Clamps**  
**Model: AB10C-1/2**  
**Fits 1 1/2" Rollbar & 10oz Bottle**

**CLAMP ASSEMBLY**

**BOTTLE CLAMPS ARE ACCEPTED BY NHRA & IHRA**



413 West Elm Street - Sycamore, IL 60178  
 (866)248-6357 - autometer.com - service@autometer.com